



US00D471642S

(12) **United States Design Patent**
Alden et al.

(10) **Patent No.:** **US D471,642 S**

(45) **Date of Patent:** **** Mar. 11, 2003**

(54) **ANALYTICAL INSTRUMENT**

D351,469 S * 10/1994 Okamoto et al. D24/232
D381,756 S * 7/1997 Ohnuma et al. D24/231

(75) Inventors: **Tor Alden**, Basking Ridge, NJ (US);
Robert Barry, Ogdensburg, NJ (US);
David Laporta, Matawan, NJ (US);
Jerry Prohaska, Huntingdon Valley, PA
(US); **Michael Kagan**, Doylestown, PA
(US)

* cited by examiner

Primary Examiner—Ian Simmons
(74) *Attorney, Agent, or Firm*—Dann, Dorfman, Herrell
and Skillman; Henry H. Skillman

(73) Assignee: **Immunivest Corporation**, Wilmington,
DE (US)

(57) **CLAIM**

The ornamental design for a analytical instrument, as shown.

(**) Term: **14 Years**

DESCRIPTION

(21) Appl. No.: **29/156,693**

FIG. 1 is a right front perspective view of an analytical
instrument embodying our design;

(22) Filed: **Mar. 6, 2002**

FIG. 2 is a top plan view of the analytical instrument;

(51) **LOC (7) Cl.** **24-01**

FIG. 3 is a bottom plan view of the analytical instrument;

(52) **U.S. Cl.** **D24/232; D24/231**

FIG. 4 is a front elevation of the analytical instrument;

(58) **Field of Search** D24/231, 232,
D24/216, 109, 186; D10/81; 422/64, 67,
68.1, 62

FIG. 5 is a rear elevation of the analytical instrument;

FIG. 6 is a right side elevation of the analytical instrument;
and,

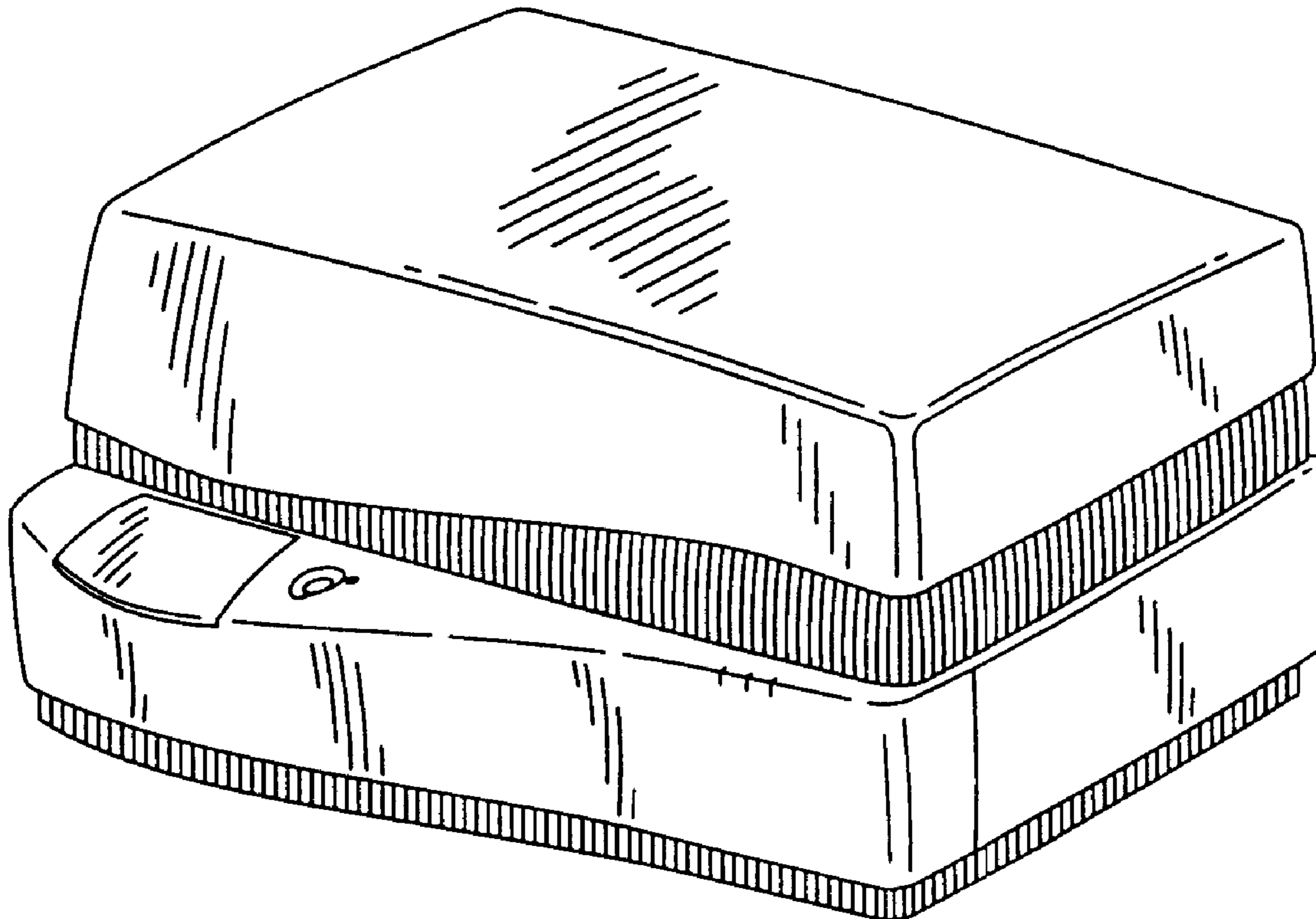
(56) **References Cited**

FIG. 7 is a left side elevation of the analytical instrument.

U.S. PATENT DOCUMENTS

D330,596 S * 10/1992 Frenkel et al. D24/186

1 Claim, 4 Drawing Sheets



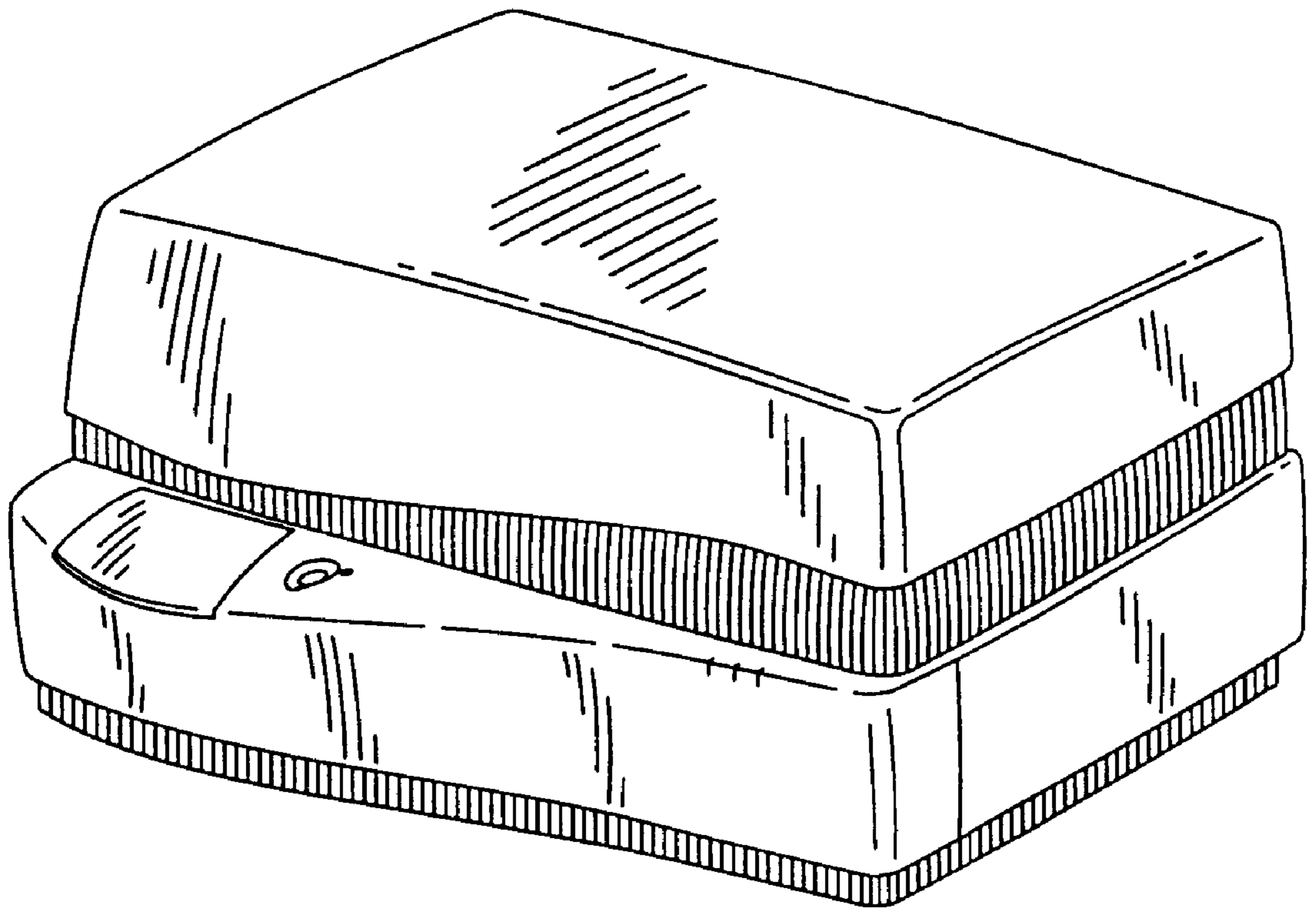


FIG. 1

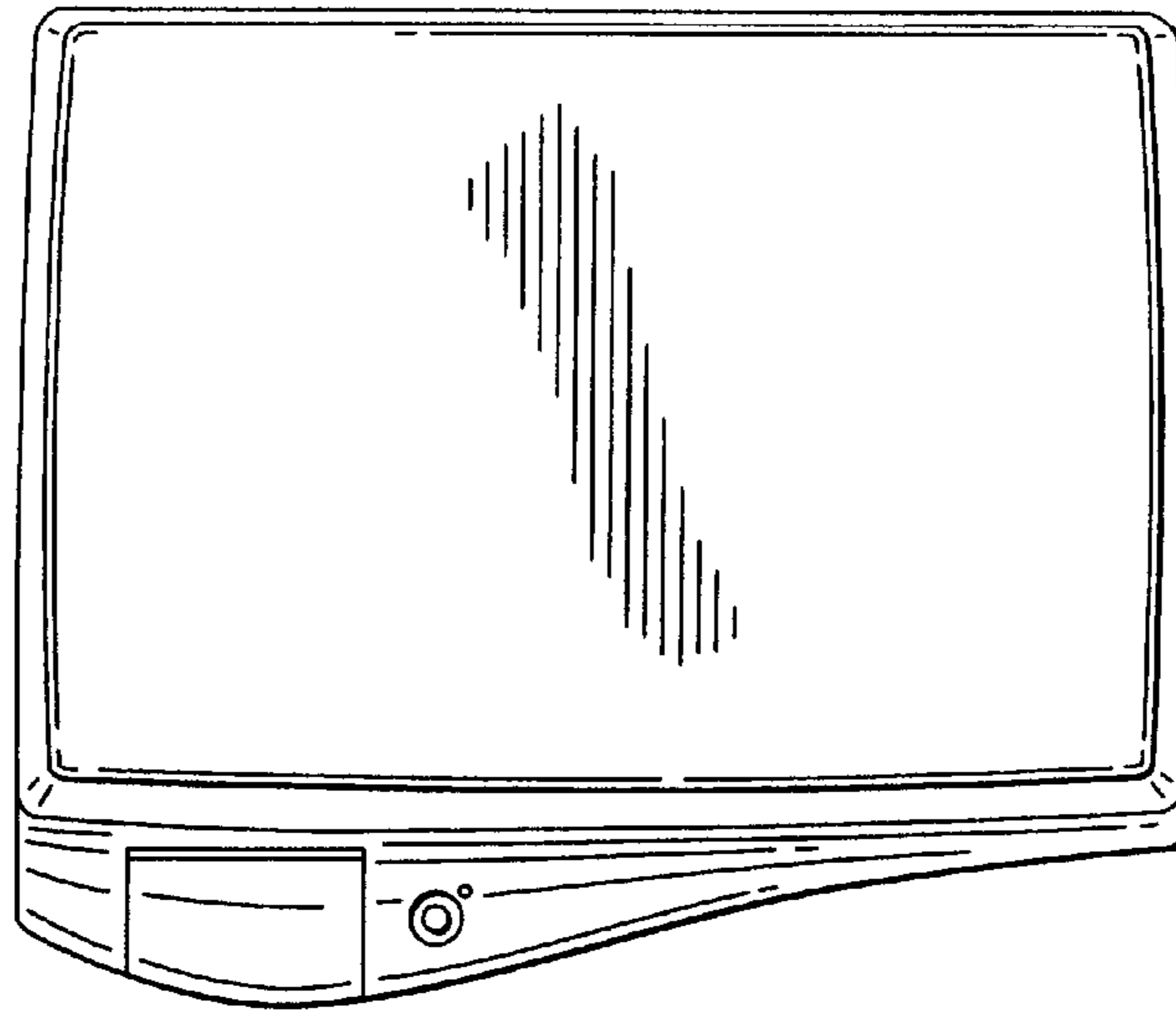


FIG. 2

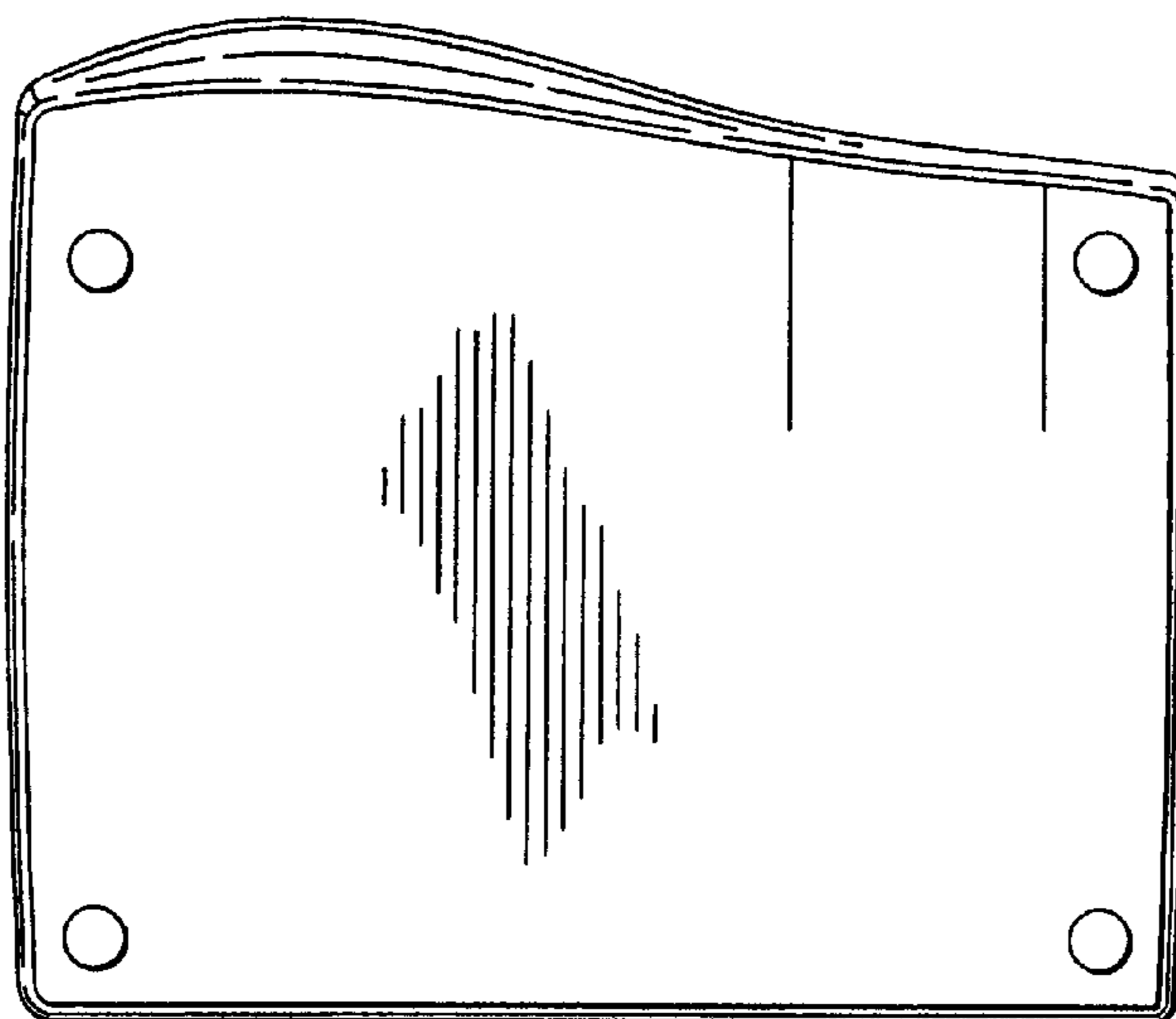


FIG. 3

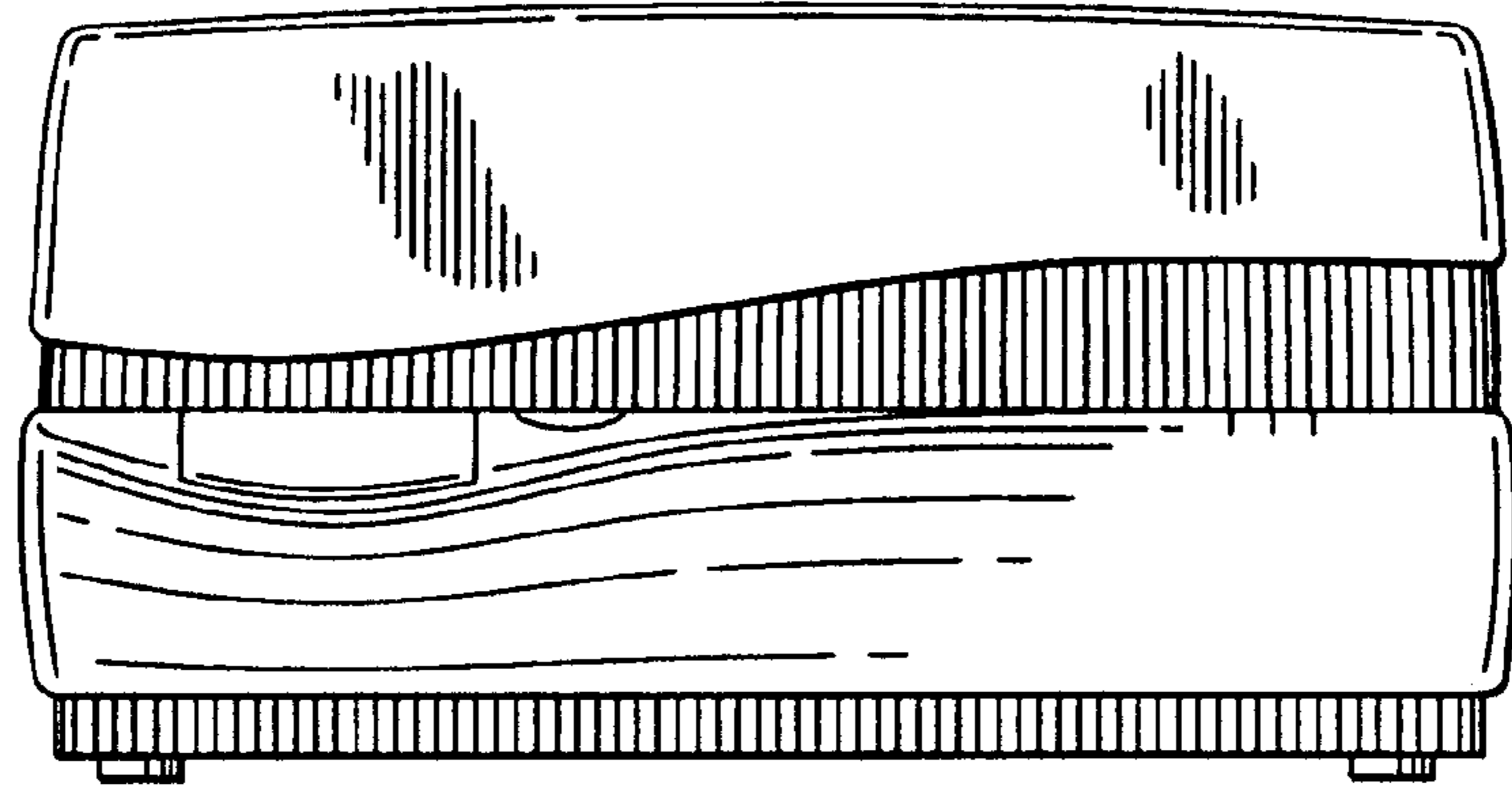


FIG. 4

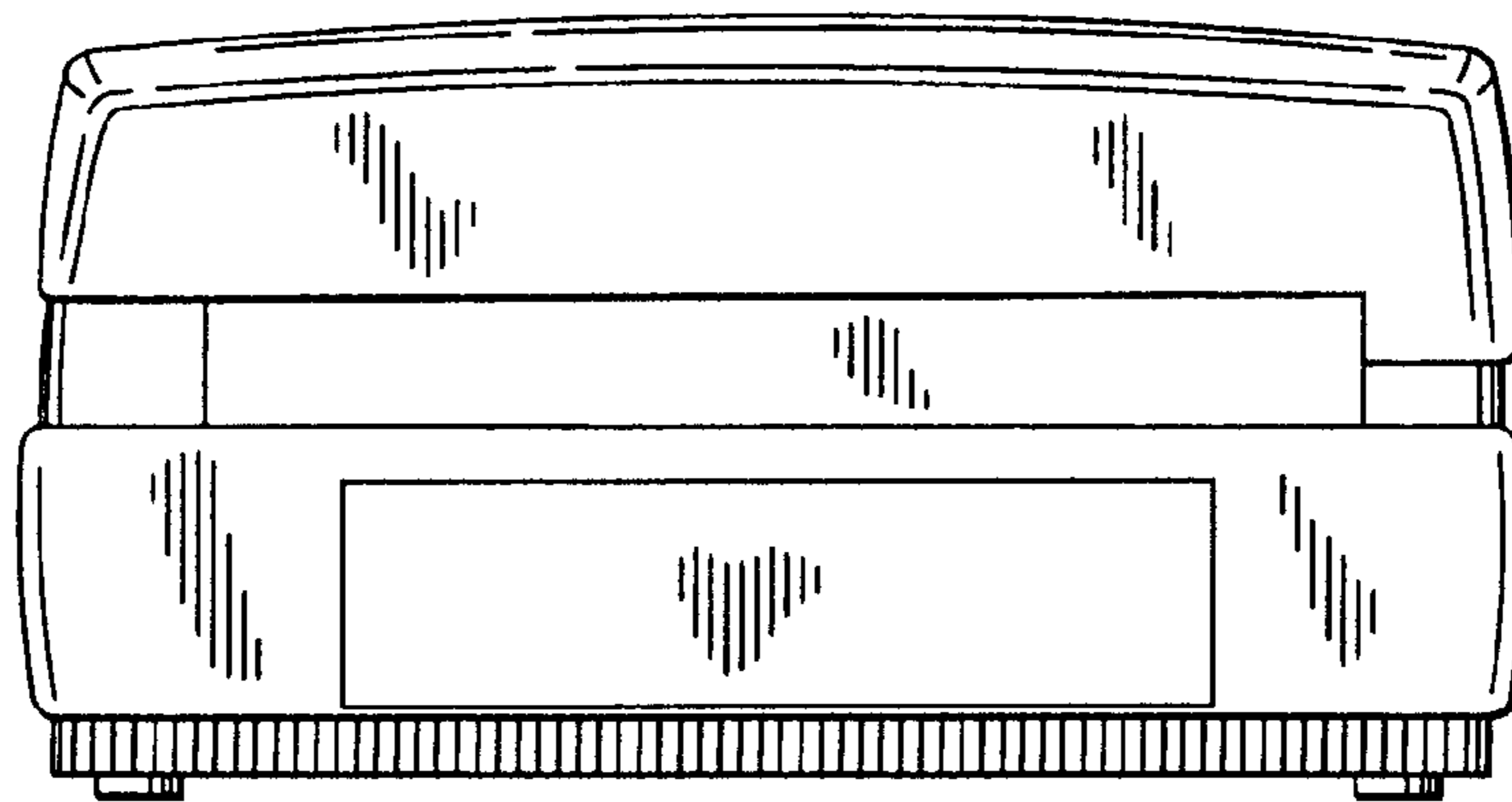


FIG. 5

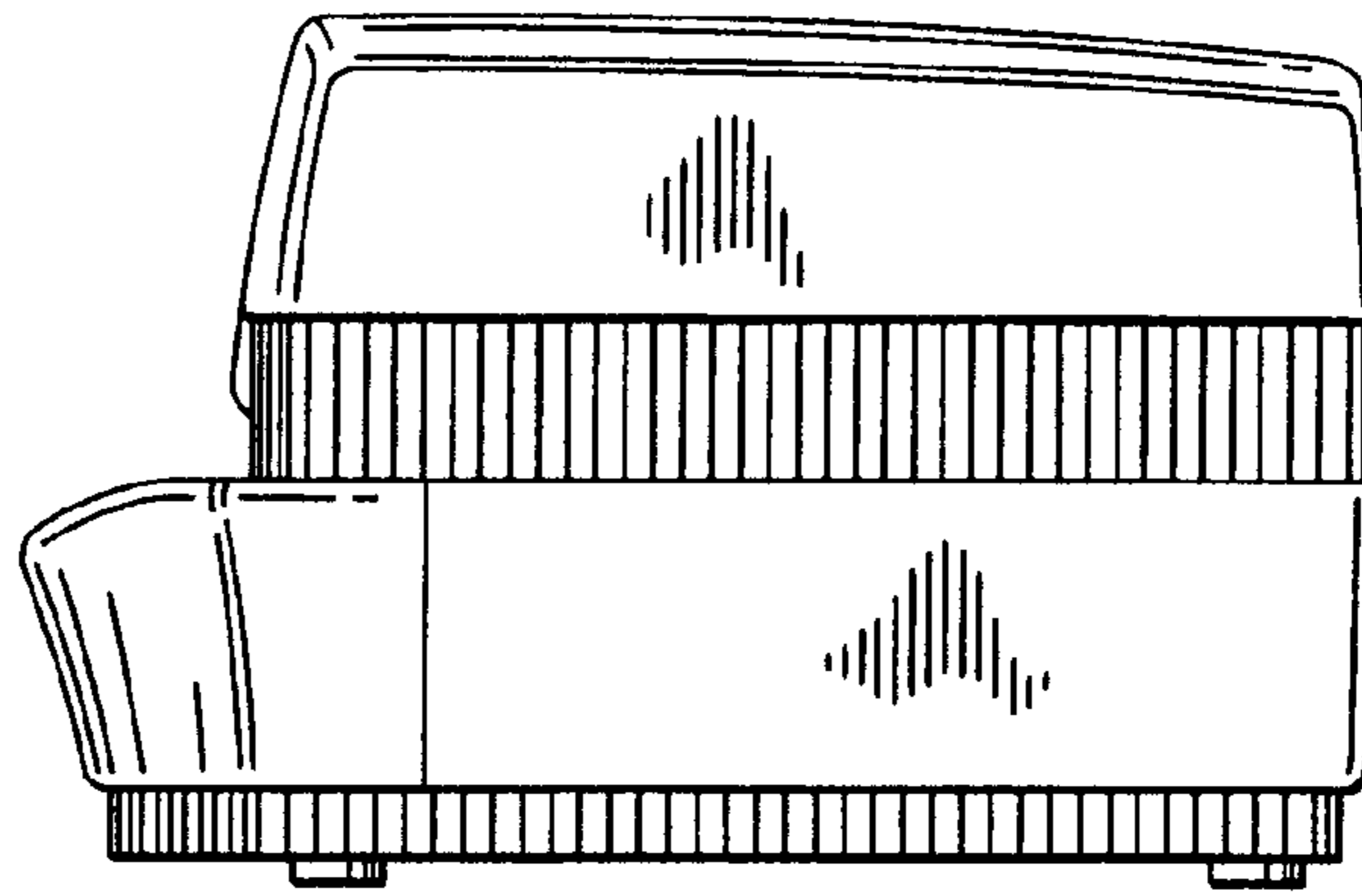


FIG. 6

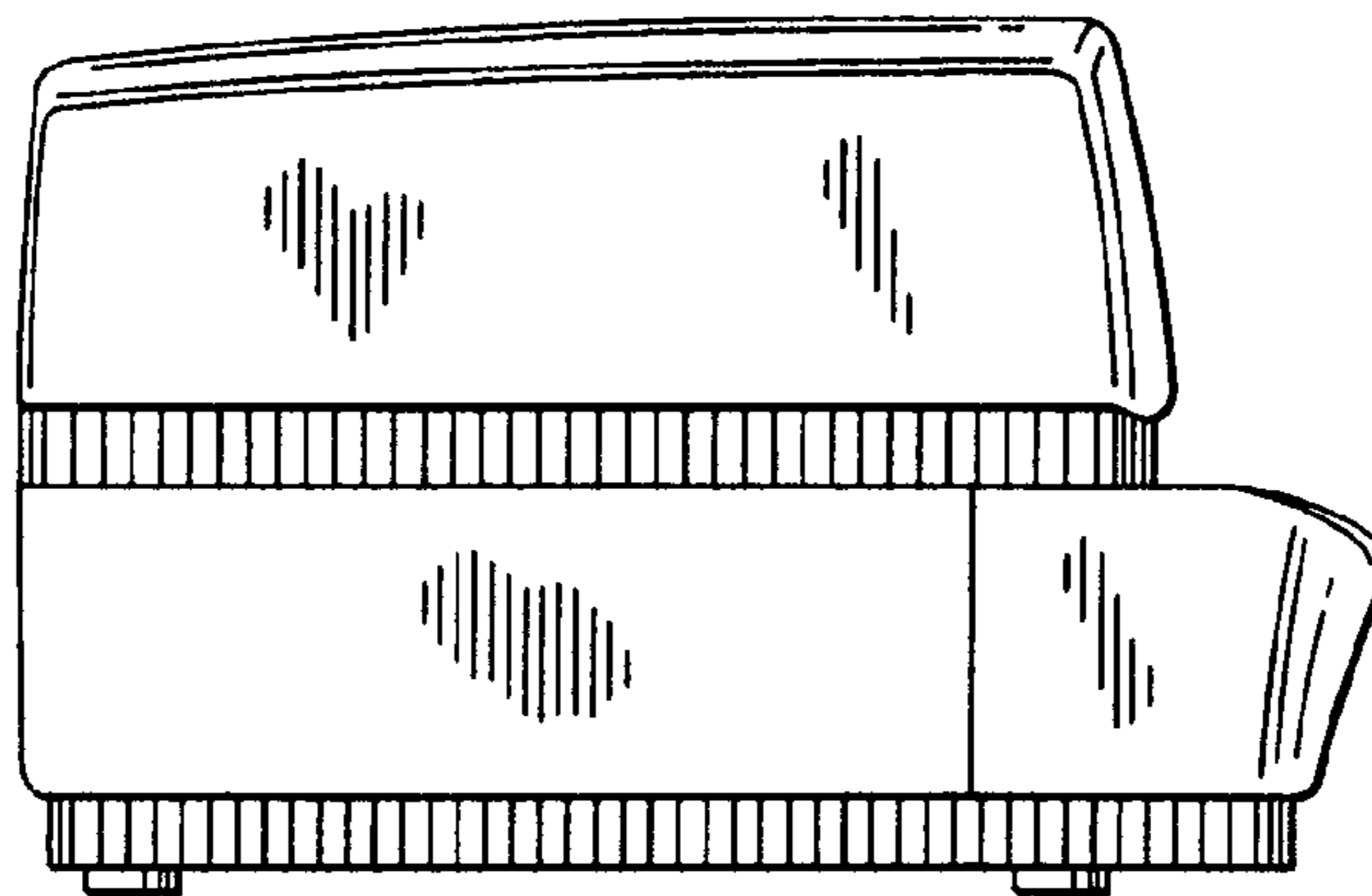


FIG. 7