



US00D471639S

(12) **United States Design Patent**  
**McMichael et al.**

(10) **Patent No.:** **US D471,639 S**

(45) **Date of Patent:** **\*\* Mar. 11, 2003**

(54) **TOOL FOR HANDLING A SPECIMEN**

(75) Inventors: **Donald J. McMichael**, South Jordan, UT (US); **Kristy Peterson**, Salt Lake City, UT (US)

(73) Assignee: **Kimberly-Clark Worldwide, Inc.**, Neenah, WI (US)

(\*\*) Term: **14 Years**

(21) Appl. No.: **29/152,430**

(22) Filed: **Dec. 17, 2001**

(51) **LOC (7) Cl.** ..... **24-02**

(52) **U.S. Cl.** ..... **D24/216; D24/119; D24/133; D24/147**

(58) **Field of Search** ..... **D24/119, 133, D24/147, 146, 141, 216, 223, 225; 435/286.3, 810, 975, 309.1; 422/61, 101, 102, 104; 206/570, 499**

(56) **References Cited**

**U.S. PATENT DOCUMENTS**

3,145,086 A 8/1964 Free et al.  
3,395,082 A 7/1968 Mast

(List continued on next page.)

**FOREIGN PATENT DOCUMENTS**

EP	0018825	2/1985
EP	0365459 A1	4/1990
EP	0606651 A2	7/1994
EP	0721898 A1	7/1996
FR	2442268	7/1980
GB	1112251	5/1968
GB	1478742	7/1977
GB	2037811	7/1980
WO	89/09407	10/1989
WO	94/22380	10/1994
WO	98/54563	12/1998
WO	99/02101	1/1999
WO	99/25251	5/1999
WO	99/51769	10/1999
WO	99/61892	12/1999

**OTHER PUBLICATIONS**

U.S. patent application Ser. No. 09/977,555, Marshall et al., filed Oct. 15, 2001, Method for the Detection of Urease and Method for Using Same.

U.S. patent application Ser. No. 09/977,556, Marshall et al., filed Oct. 15, 2001, System for the Detection of Urease and Method for Using Same.

U.S. patent application Ser. No. 10/026,321, Marshall et al., filed Dec. 20, 2001, Gel-Based Media for Transfer Slides, Methods of Producing and Using Same.

U.S. patent application Ser. No. 09/977,874, Marshall et al., filed Oct. 15, 2001, Composition for the Detection of Gastrointestinal Disorders.

U.S. patent application Ser. No. 09/977,546, Marshall et al., filed Oct. 15, 2001, Systems for Performing Multiple Diagnostic Tests.

U.S. patent application Ser. No. 09/977,539, McMichael et al., filed Oct. 15, 2001, Methods for Performing Multiple Diagnostic Tests.

U.S. patent application Ser. No. 09/977,547, Peterson et al., filed Oct. 15, 2001, Systems for Diagnostic Testing.

U.S. patent application Ser. No. 29/149,654, McMichael et al., filed Oct. 15, 2001, Diagnostic Test Carrier.

(List continued on next page.)

*Primary Examiner*—Ian Simmons

(74) *Attorney, Agent, or Firm*—William W. Letson

(57) **CLAIM**

We claim the ornamental design for a tool for handling a specimen, as shown and described.

**DESCRIPTION**

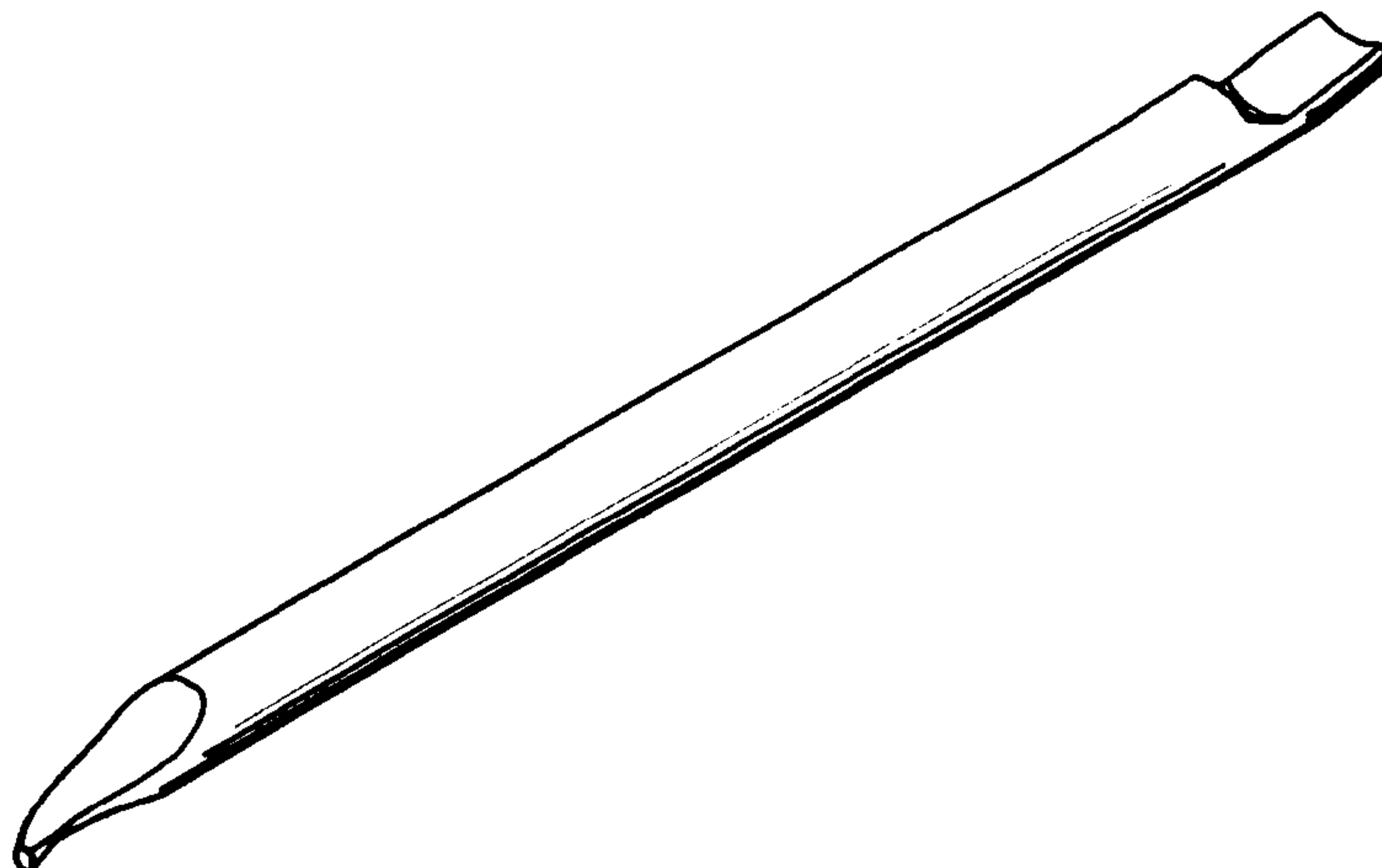
FIG. 1 is a side elevational view of the tool for handling a specimen of the present invention.

FIG. 2 is a top plan view of the tool for handling a specimen of the present invention.

FIG. 3 is a perspective view of the tool for handling a specimen of the present invention; and,

FIG. 4 is another perspective view of the tool for handling a specimen of the present invention.

**1 Claim, 2 Drawing Sheets**



U.S. PATENT DOCUMENTS

3,411,723 A	11/1968	Kohn	5,846,751 A	12/1998	Pronovost et al.
3,461,036 A	8/1969	Harvill et al.	5,854,013 A	12/1998	Ollar et al.
3,873,269 A	3/1975	Krafczyk et al.	D415,275 S	10/1999	Huttner
D241,803 S	10/1976	Amiot	5,989,840 A	11/1999	D'Angelo et al.
4,016,268 A	4/1977	Goldenberg et al.	D419,238 S	* 1/2000	Maissami ..... D24/119
4,016,865 A	4/1977	Fredricks	D420,133 S	2/2000	Huttner
4,027,658 A	6/1977	Marshall	D423,669 S	4/2000	Huttner et al.
4,101,382 A	7/1978	Chang	6,048,735 A	4/2000	Hessel et al.
D249,772 S	10/1978	Amiot	6,039,959 A	5/2000	Burnie
4,132,502 A	1/1979	Bunke	6,060,241 A	5/2000	Corthésy-Theulaz
4,160,505 A	7/1979	Rauschenberger	6,068,985 A	5/2000	Cripps et al.
4,226,328 A	10/1980	Beddon	D428,489 S	7/2000	Huttner et al.
4,282,316 A	8/1981	Modrovich	D428,991 S	8/2000	Fourie et al.
4,293,074 A	10/1981	Dunsky	6,113,875 A	9/2000	Nyström et al.
D266,434 S	10/1982	Kowalski	6,116,426 A	* 9/2000	Slonim ..... 206/499
D271,370 S	11/1983	San Antonio	D435,293 S	12/2000	Tang
4,620,548 A	11/1986	Hasselbrack	6,156,346 A	12/2000	Chen et al.
D288,716 S	3/1987	Covell et al.	6,165,736 A	12/2000	Fawcett
4,748,113 A	5/1988	Marshall	6,171,811 B1	1/2001	Becerro De Bengoa Vallejo
4,777,947 A	10/1988	Zwick	6,172,215 B1	1/2001	Keshi et al.
4,803,983 A	2/1989	Siegel	6,187,556 B1	2/2001	Lee et al.
4,830,010 A	5/1989	Marshall	D438,979 S	3/2001	Gomes et al.
4,923,801 A	5/1990	Marshall et al.	D445,503 S	7/2001	Huttner
4,932,957 A	6/1990	Zwick	D447,237 S	8/2001	Huttner et al.
4,955,971 A	9/1990	Goulter	6,291,234 B1	9/2001	Raz et al.
5,116,346 A	5/1992	Yeh	6,309,818 B1	* 10/2001	Malinda et al. .... 435/309.1
D327,322 S	6/1992	Brewer, Jr.			
D328,347 S	7/1992	Santora			
5,149,506 A	9/1992	Skiba et al.			
5,182,191 A	1/1993	Fan et al.			
5,228,201 A	7/1993	Atkins			
5,238,651 A	* 8/1993	Chuba ..... 422/61			
5,256,684 A	10/1993	Marshall			
5,258,178 A	11/1993	Cordle et al.			
5,304,540 A	4/1994	Blackburn et al.			
5,314,804 A	5/1994	Boguslaski et al.			
5,348,023 A	9/1994	McLucas			
5,380,492 A	1/1995	Seymour			
5,420,016 A	5/1995	Boguslaski et al.			
5,431,884 A	7/1995	McDonough et al.			
5,439,801 A	8/1995	Jackson			
5,449,071 A	9/1995	Levy			
5,479,019 A	12/1995	Gross			
5,494,162 A	2/1996	Treace et al.			
5,501,597 A	3/1996	Wilson			
D368,520 S	4/1996	Brewer, Jr.			
5,593,851 A	1/1997	Jackson			
5,601,848 A	2/1997	Marshall			
5,624,554 A	4/1997	Faulkner et al.			
5,668,011 A	9/1997	Jackson			
5,682,665 A	11/1997	Svanberg			
5,702,911 A	12/1997	Whalen			
5,709,838 A	1/1998	Porter et al.			
D390,659 S	2/1998	Chan et al.			
5,722,422 A	3/1998	Palmer et al.			
D393,312 S	4/1998	Huttner			
5,738,110 A	4/1998	Beal et al.			

OTHER PUBLICATIONS

U.S. patent application Ser. No. 29/149,656, McMichael et al., filed Oct. 15, 2001, Specimen-Handling Tool.

U.S. patent application Ser. No. 09/977,667, Marshall et al., filed Oct. 15, 2001, Diagnostic Testing System and Method for Detecting *Helicobacter pylori*.

U.S. patent application Ser. No. 10/026,200, Peterson et al., filed Dec. 21, 2001, Carrier and Specimen-Handling Tool for Use in Diagnostic Testing.

U.S. patent application Ser. No. 29/152,423, Peterson et al., filed Dec. 17, 2001, Diagnostic Test Kit.

U.S. patent application Ser. No. 29/152,428, Peterson et al., filed Dec. 17, 2001, Diagnostic Test Kit with Specimen-Handling Tool.

U.S. patent application Ser. No. 29/152,422, Peterson et al., filed Dec. 17, 2001, Two-Well Diagnostic Test Kit with Specimen-Handling Tool.

U.S. patent application Ser. No. 29/152,444, McMichael et al., filed Dec. 17, 2001, Specimen-Handling Tool.

U.S. patent application Ser. No. 29/152,429, McMichael et al., filed Dec. 17, 2001, Test Kit Specimen-Handling Tool.

Abstract EP 0721898 A1, Neumeyer E S, Jul. 17, 1996.

Patent Abstracts of Japan, 58077663 A, Kyoto Daiichi Kagaku:KK, May 11, 1983.

Derwent WPI, Abstract for FR 2442268A, Orion Yhtymae OY (ORIN), Jul. 25, 1980.

\* cited by examiner



FIG. 1



FIG. 2

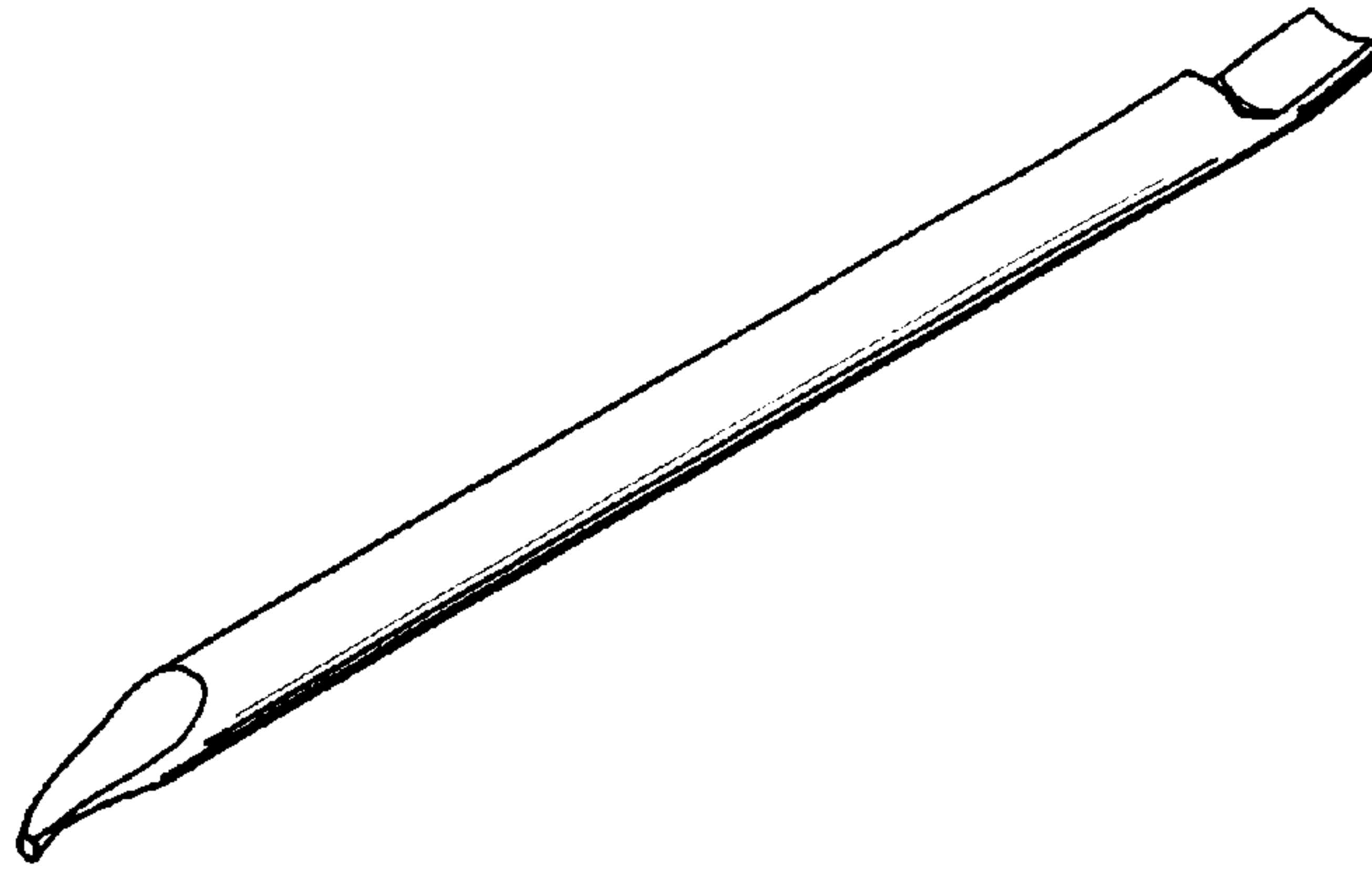


FIG. 3

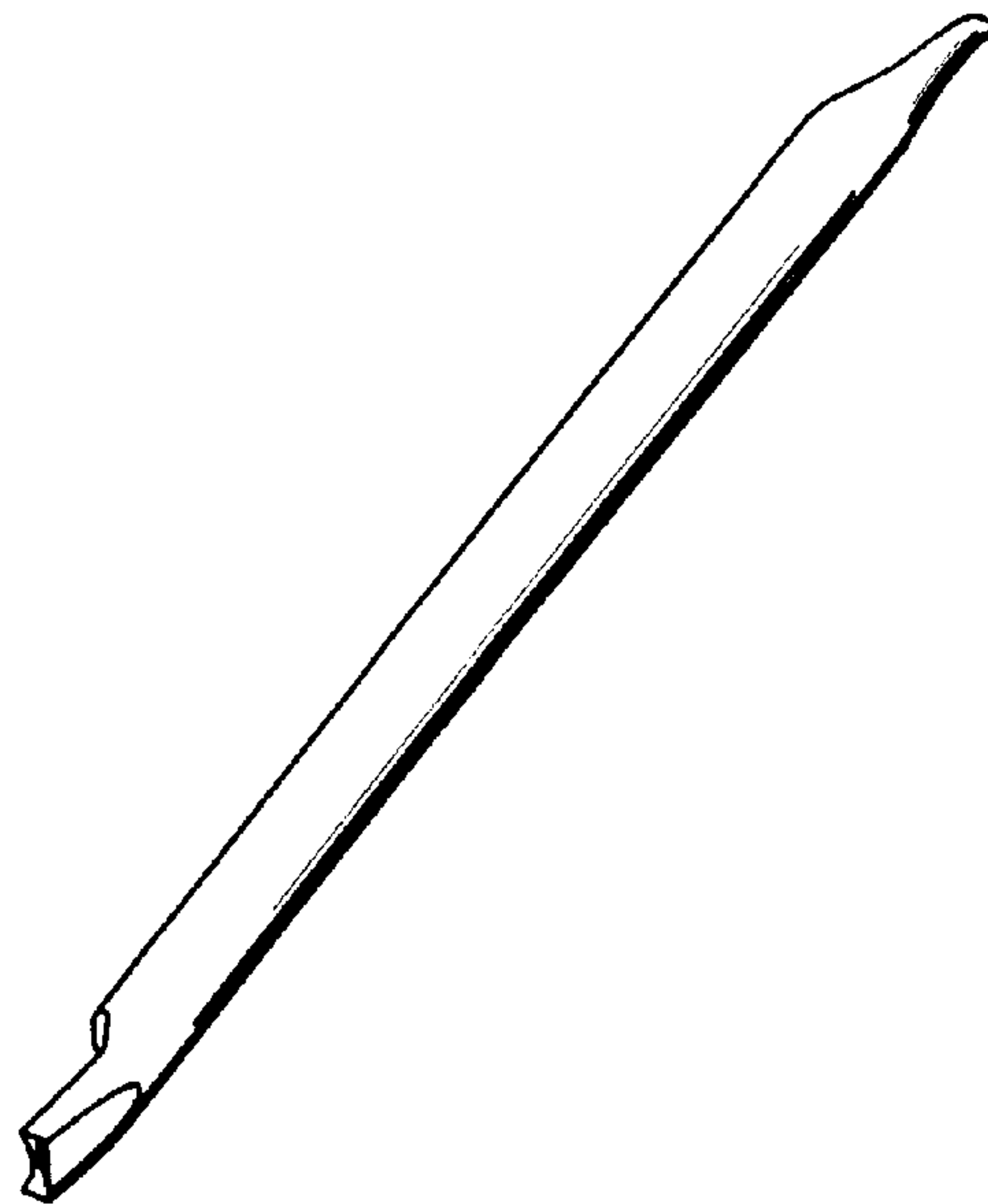


FIG. 4