



US00D471634S

(12) **United States Design Patent**  
**Crutchfield**

(10) **Patent No.:** **US D471,634 S**

(45) **Date of Patent:** **\*\* \*Mar. 11, 2003**

(54) **SPINE BOARD**

(76) Inventor: **John Stuart Crutchfield**, 1705 Royal Oak Dr., Tyler, TX (US) 75703

(\* ) Notice: This patent is subject to a terminal disclaimer.

(\*\*) Term: **14 Years**

(21) Appl. No.: **29/147,432**

(22) Filed: **Aug. 29, 2001**

(51) **LOC (7) Cl.** ..... **24-01**

(52) **U.S. Cl.** ..... **D24/190**

(58) **Field of Search** ..... D24/190; 128/869, 128/870; 5/625, 628

(56) **References Cited**

**U.S. PATENT DOCUMENTS**

D328,351	S	*	7/1992	Ott	.....	D24/190
D358,652	S	*	5/1995	Pretzer	.....	D24/190
5,560,059	A	*	10/1996	McQueen	.....	5/625
5,771,513	A	*	6/1998	Kirchgeorg et al.	.....	5/625
5,950,627	A	*	9/1999	Bologovsky et al.	.....	128/869

**OTHER PUBLICATIONS**

Copy of Dyna-Med Catalog 1051 showing pp. 34 through 45, Spring 2000.

Copy of Conney Catalog for May-August 2001 showing p. 111.

\* cited by examiner

*Primary Examiner*—Stella Reid

(74) *Attorney, Agent, or Firm*—C. W. Alworth

(57) **CLAIM**

The ornamental design for a spine board, as shown and described.

**DESCRIPTION**

FIG. 1 is an isometric view of a spine board, showing my new design;

FIG. 2 is an isometric view of the pads of the spine board;

FIG. 3 is an exploded isometric view thereof;

FIG. 4 is top plan view thereof;

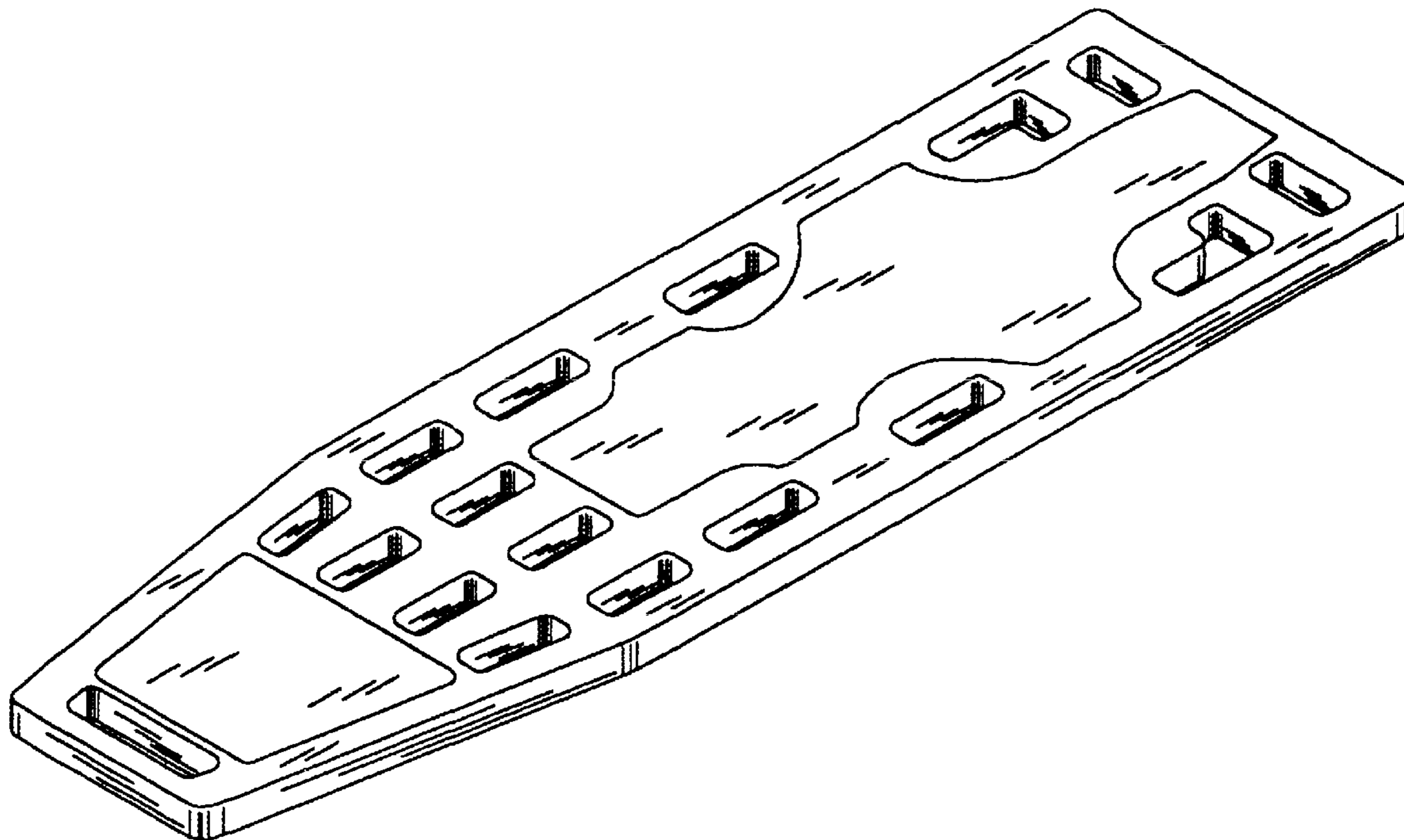
FIG. 5 is a bottom plan view thereof;

FIG. 6 is a side view thereof;

FIG. 7 is an enlarged left side view thereof; and,

FIG. 8 is an enlarged right side view thereof.

**1 Claim, 8 Drawing Sheets**



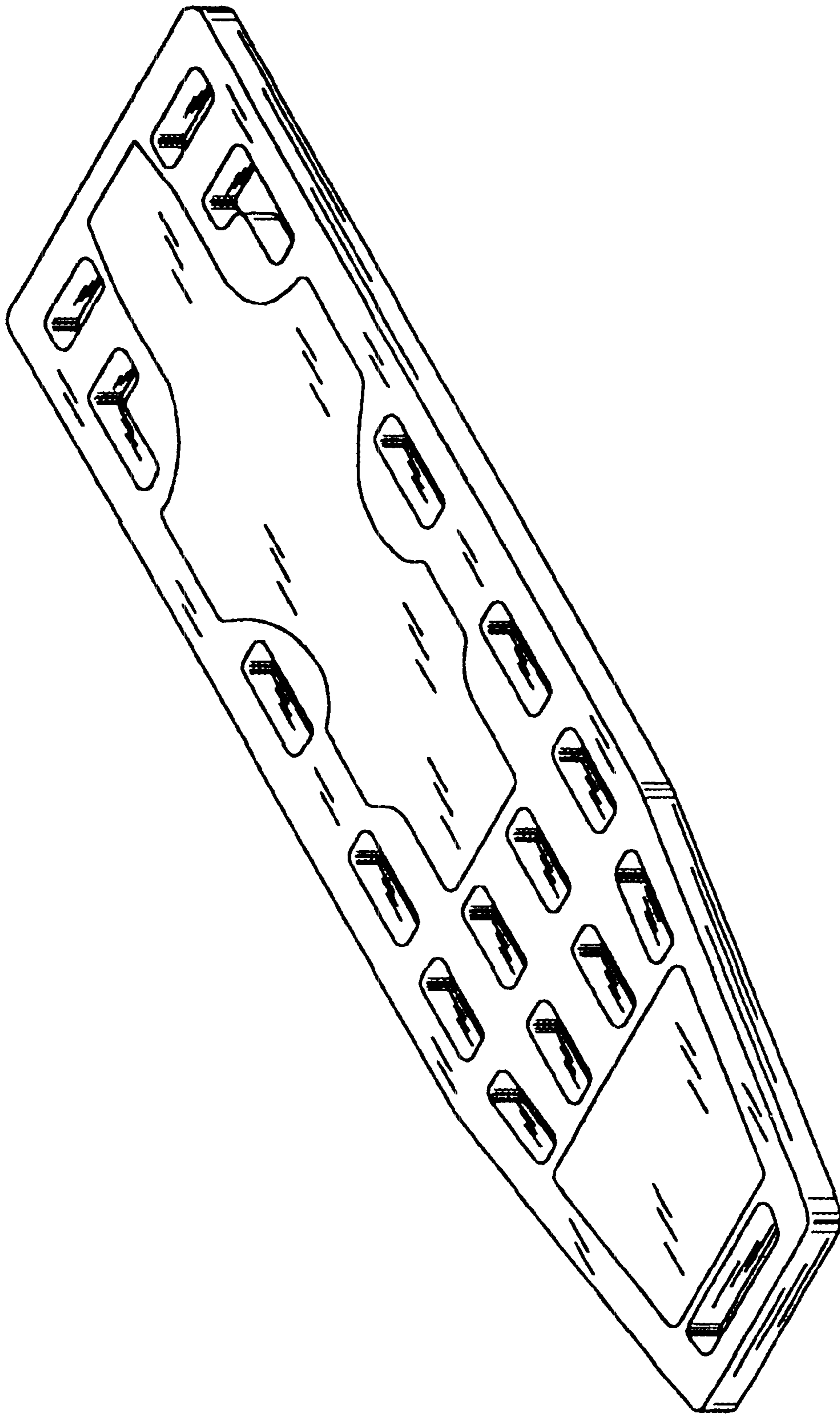


FIGURE 1

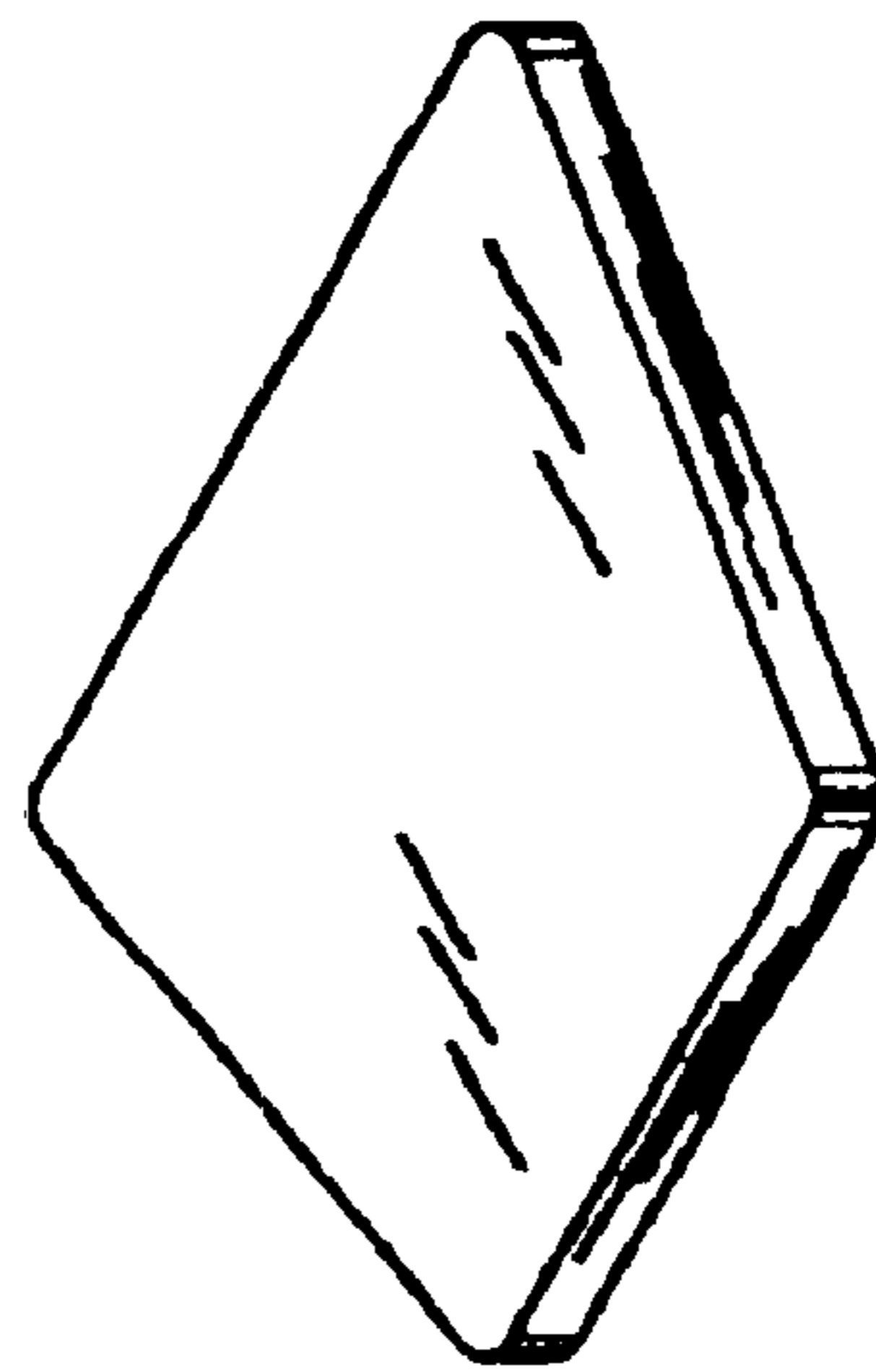
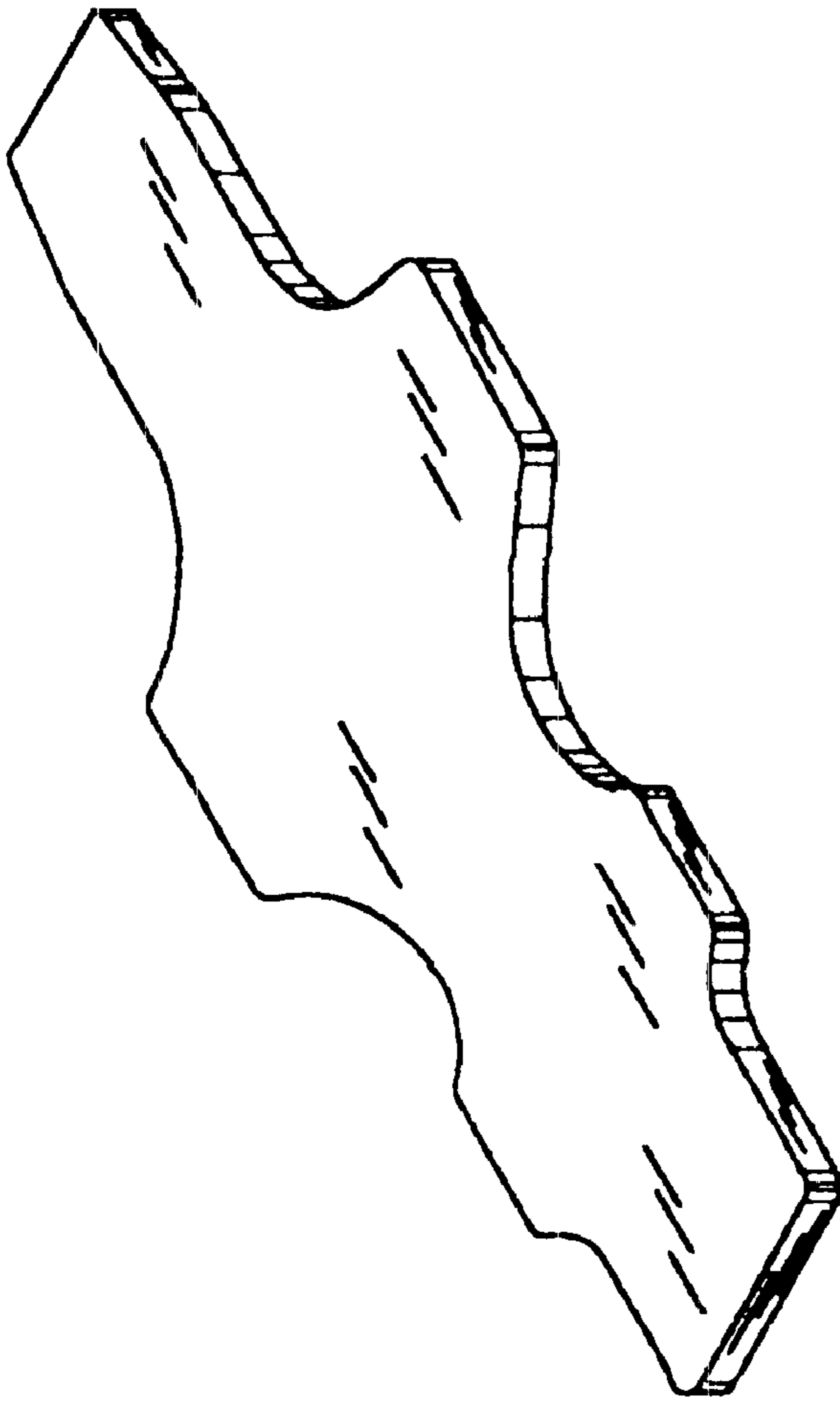


FIGURE 2

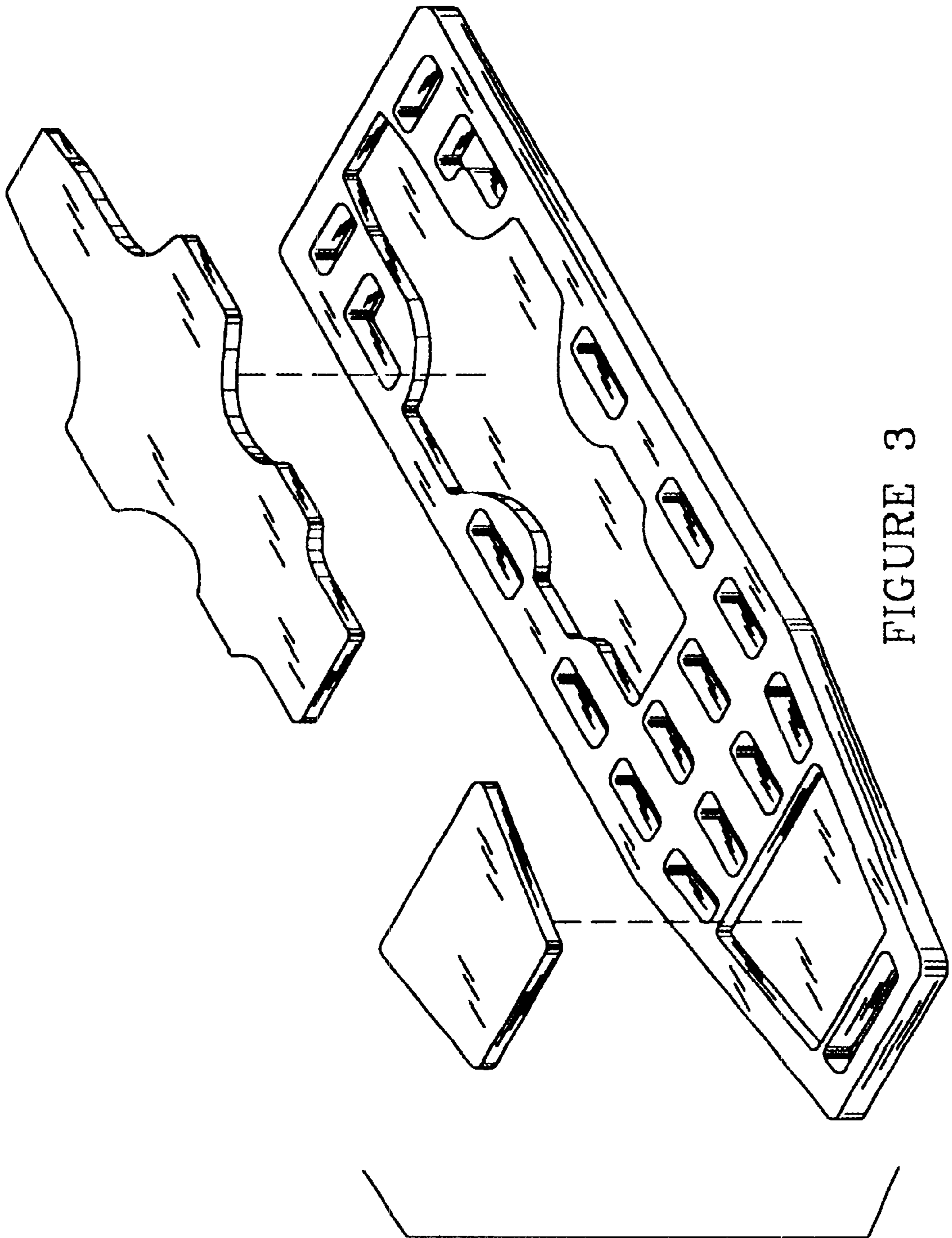


FIGURE 3

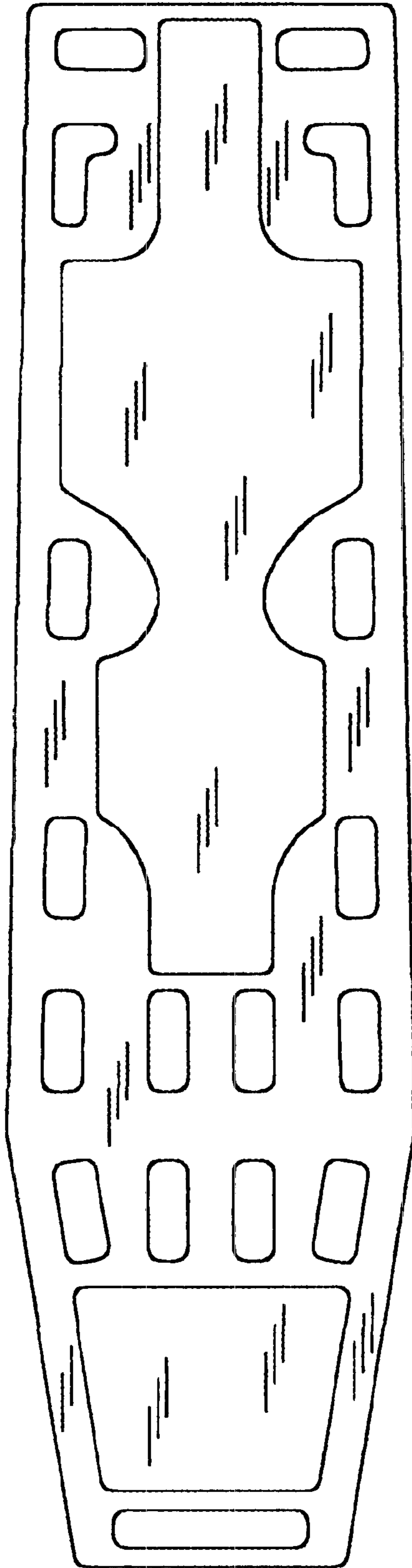


FIGURE 4

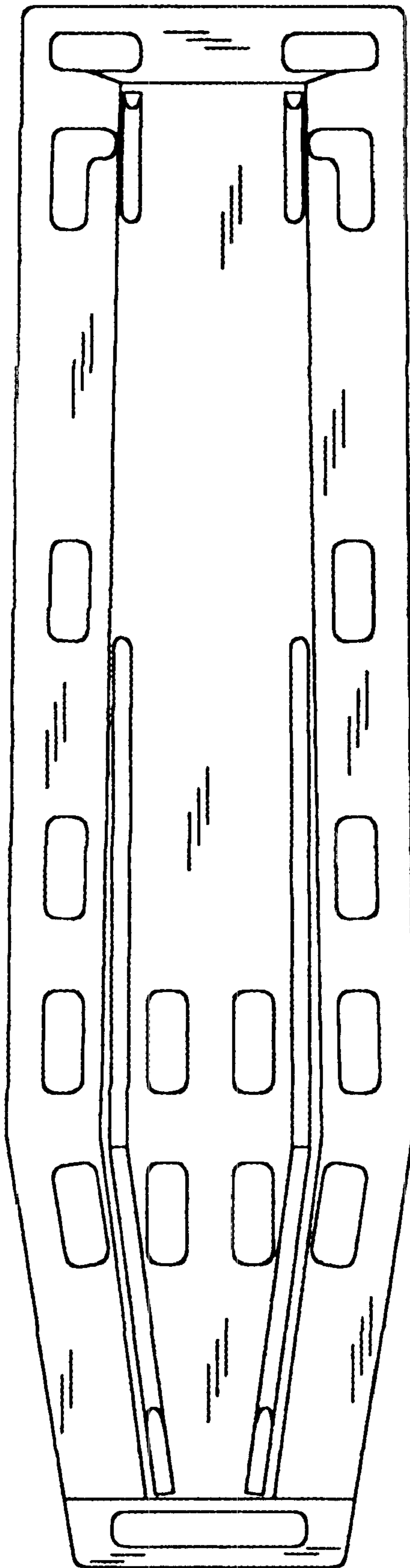


FIGURE 5



FIGURE 6

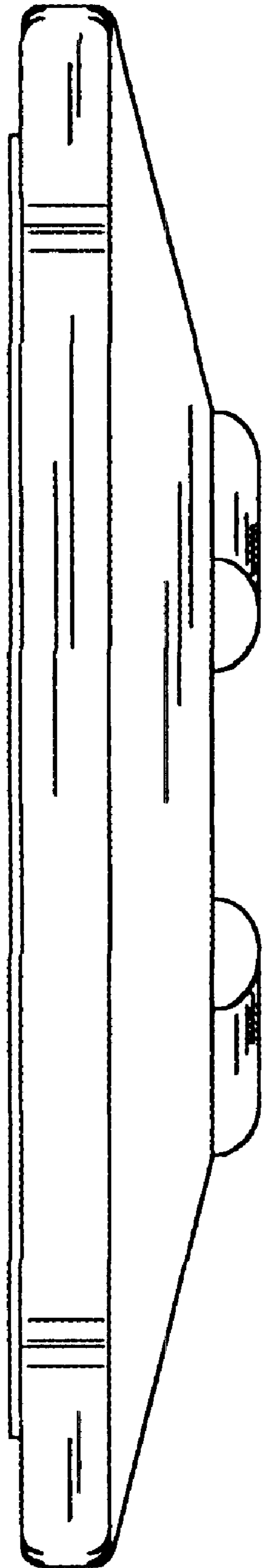


FIGURE 7



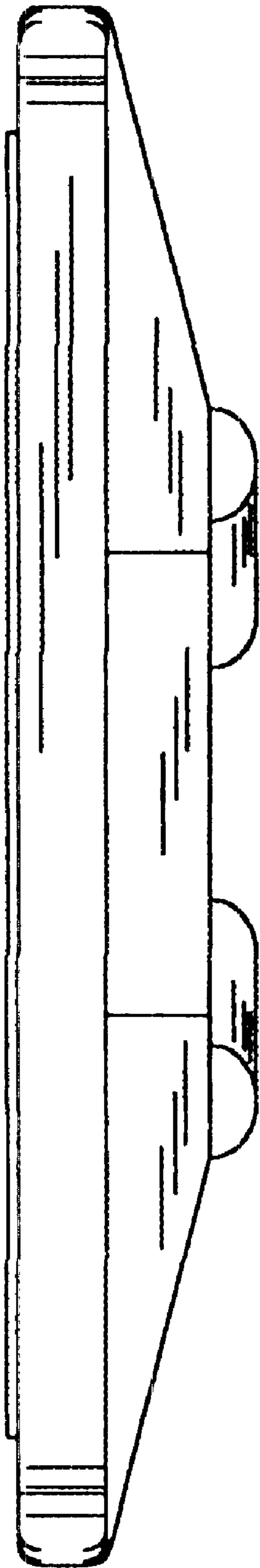


FIGURE 8