



US00D471633S

(12) **United States Design Patent**  
**Brown**

(10) **Patent No.:** **US D471,633 S**

(45) **Date of Patent:** **\*\* Mar. 11, 2003**

(54) **ADULT UNISEX BODY HARNESS**

(76) **Inventor:** **John Phillip Brown**, 1919 E. Beverly Way, #308, Long Beach, CA (US) 90802

(\*\*) **Term:** **14 Years**

(21) **Appl. No.:** **29/147,256**

(22) **Filed:** **Aug. 25, 2001**

(51) **LOC (7) Cl.** ..... **24-04**

(52) **U.S. Cl.** ..... **D24/190**

(58) **Field of Search** ..... D24/190; 128/846, 128/869, 875, 883; 297/484, 485; 119/792, 907

(56) **References Cited**

**U.S. PATENT DOCUMENTS**

1,930,378 A \* 10/1933 Beagan ..... 297/484  
D251,388 S \* 3/1979 Burns et al. .... D24/190  
5,183,007 A \* 2/1993 Vicent ..... 119/770

5,397,171 A \* 3/1995 Leach ..... 297/484  
5,619,955 A \* 4/1997 Nelson ..... 119/857  
6,125,792 A \* 10/2000 Gee ..... 119/770

\* cited by examiner

*Primary Examiner*—Stella Reid

(57) **CLAIM**

The ornamental design for an adult unisex body harness, as shown and described.

**DESCRIPTION**

The adult unisex body harness is secured to the user to enable the user to restrain or control a sex partner during sexual intercourse.

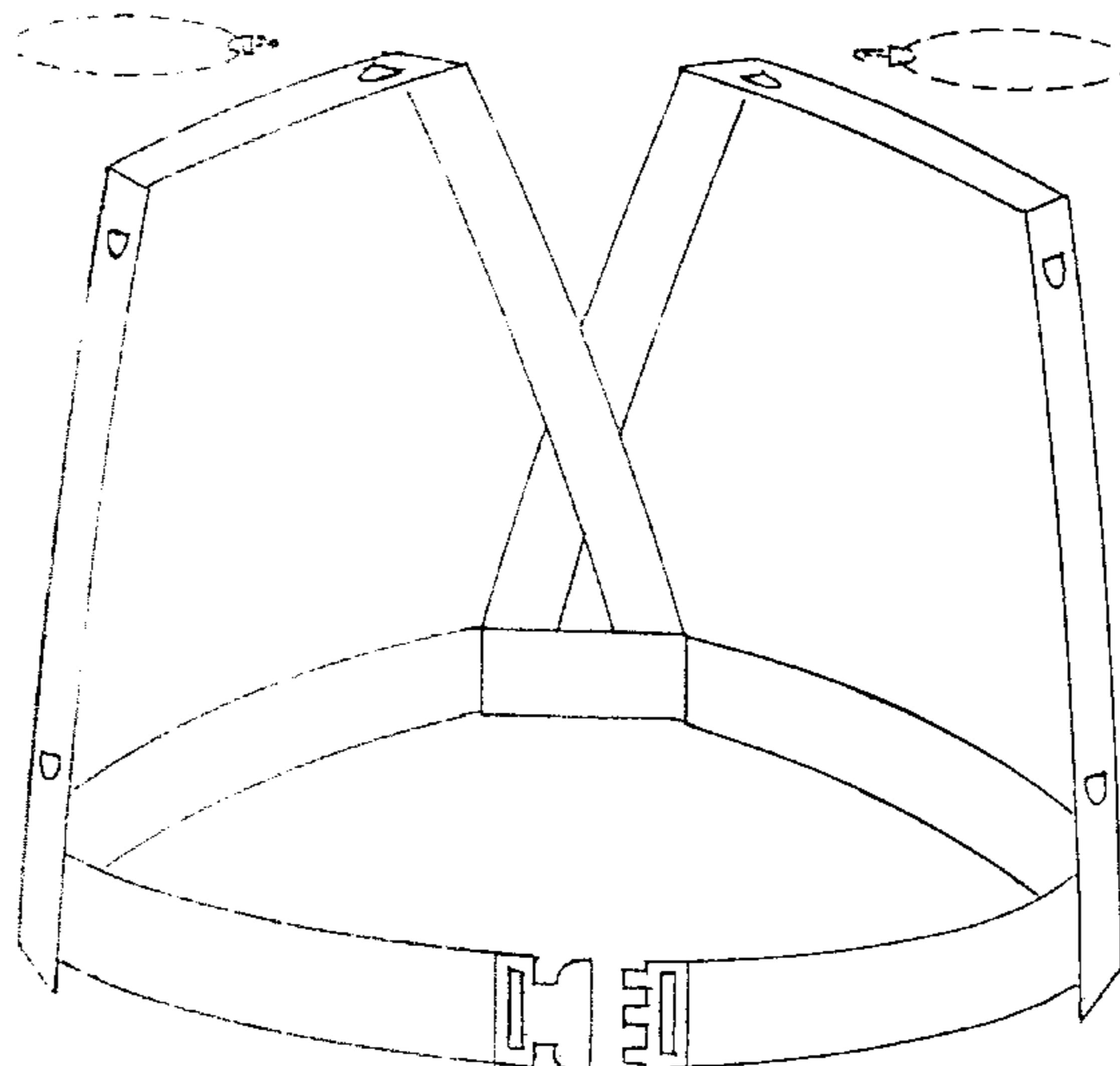
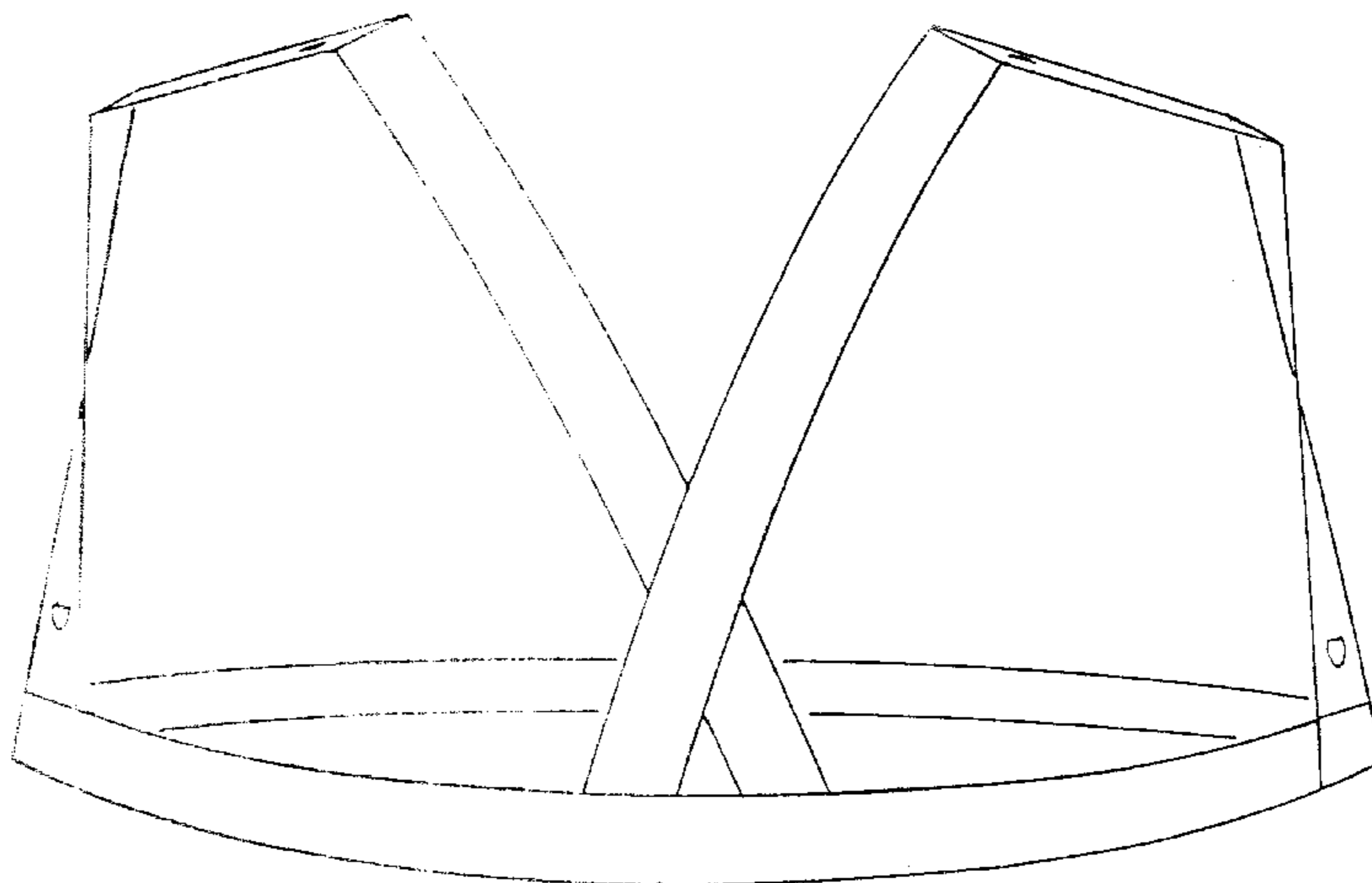
FIG. 1 is a front elevational view of an adult unisex body harness, showing my new design;

FIG. 2 is a rear elevational view thereof; and,

FIG. 3 is a right side perspective view thereof.

The broken line showing of the rings is for illustrative purposes only and forms no part of the claimed design.

**1 Claim, 3 Drawing Sheets**



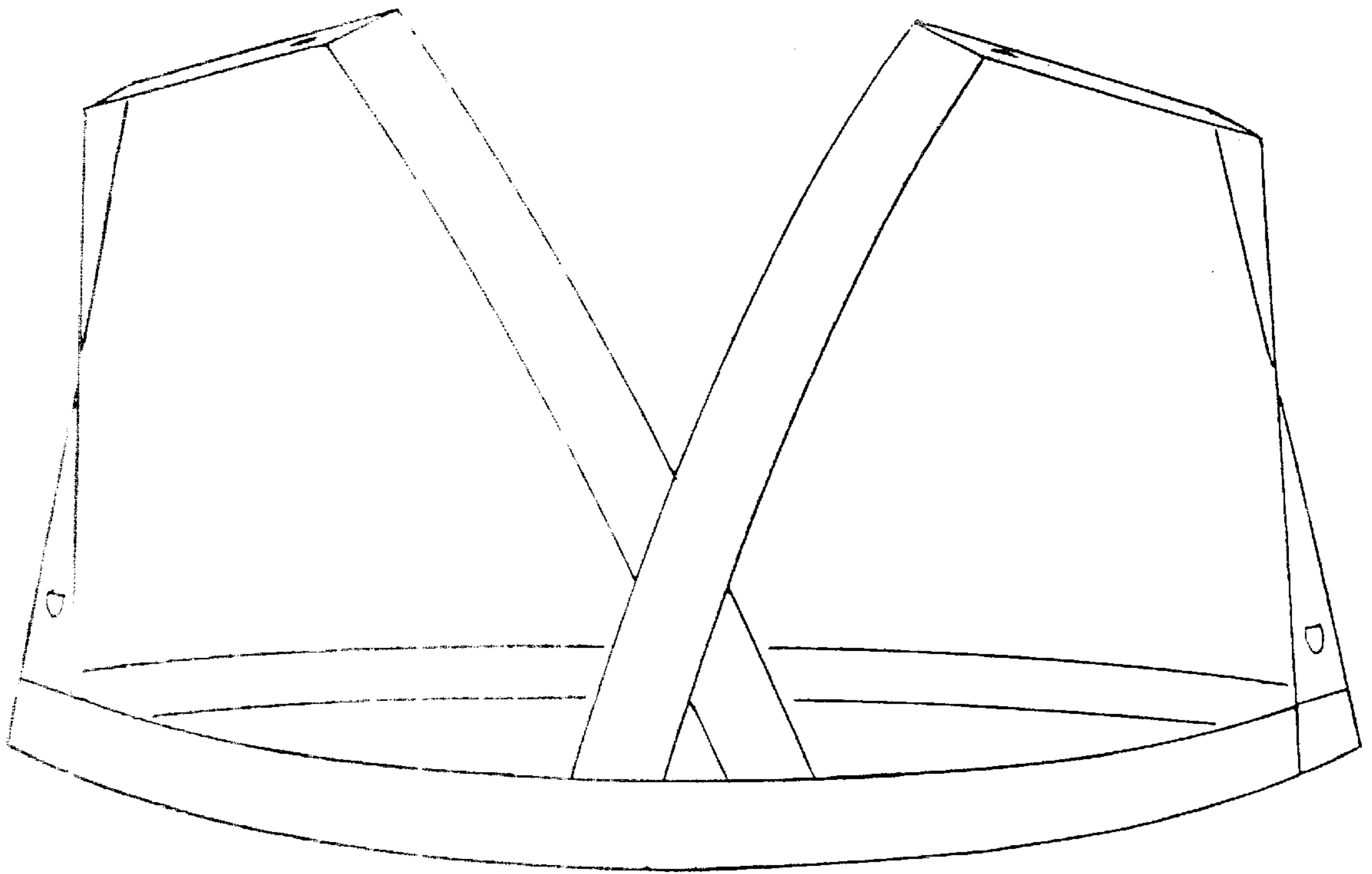


FIGURE 1

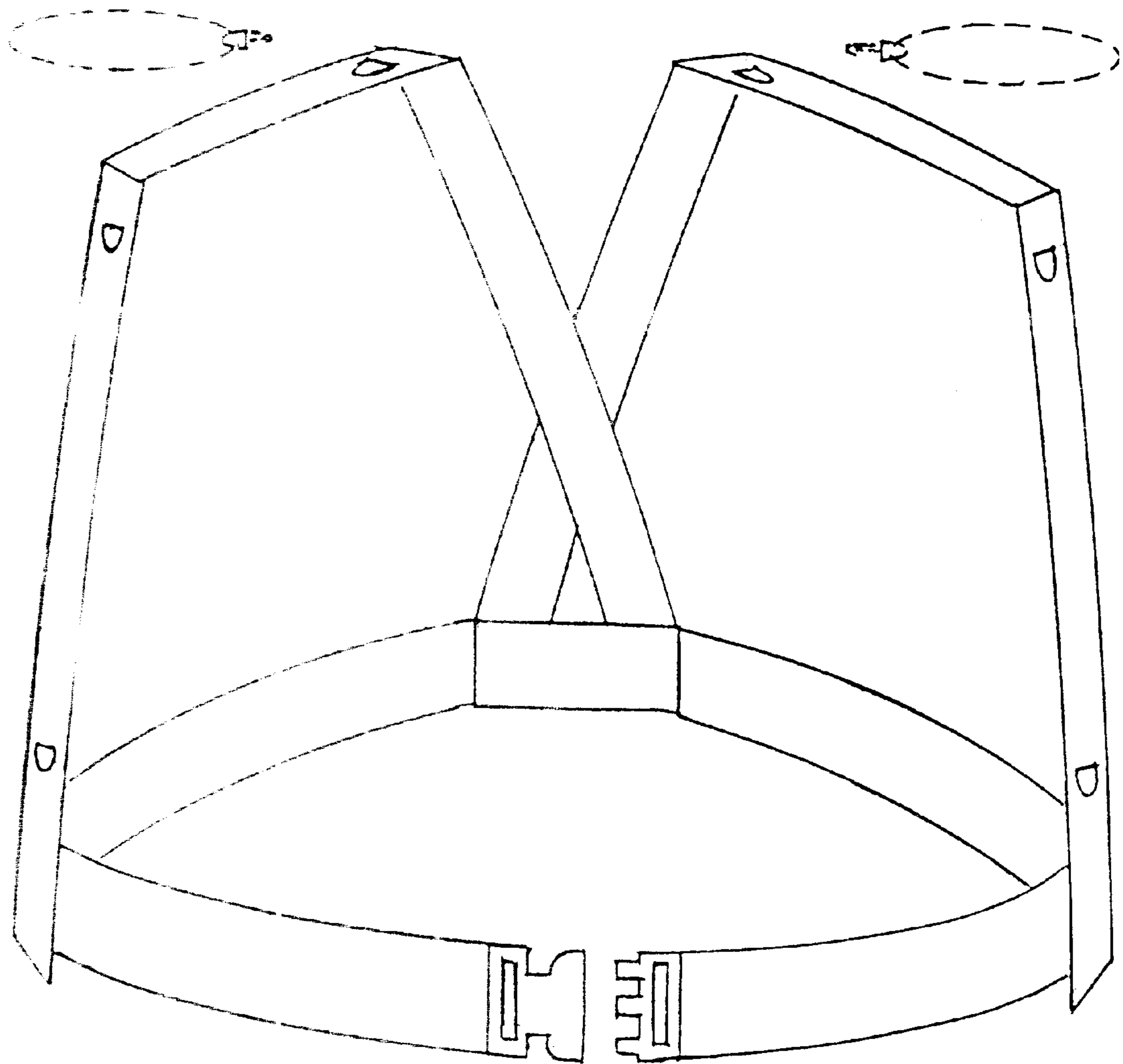


FIGURE 2

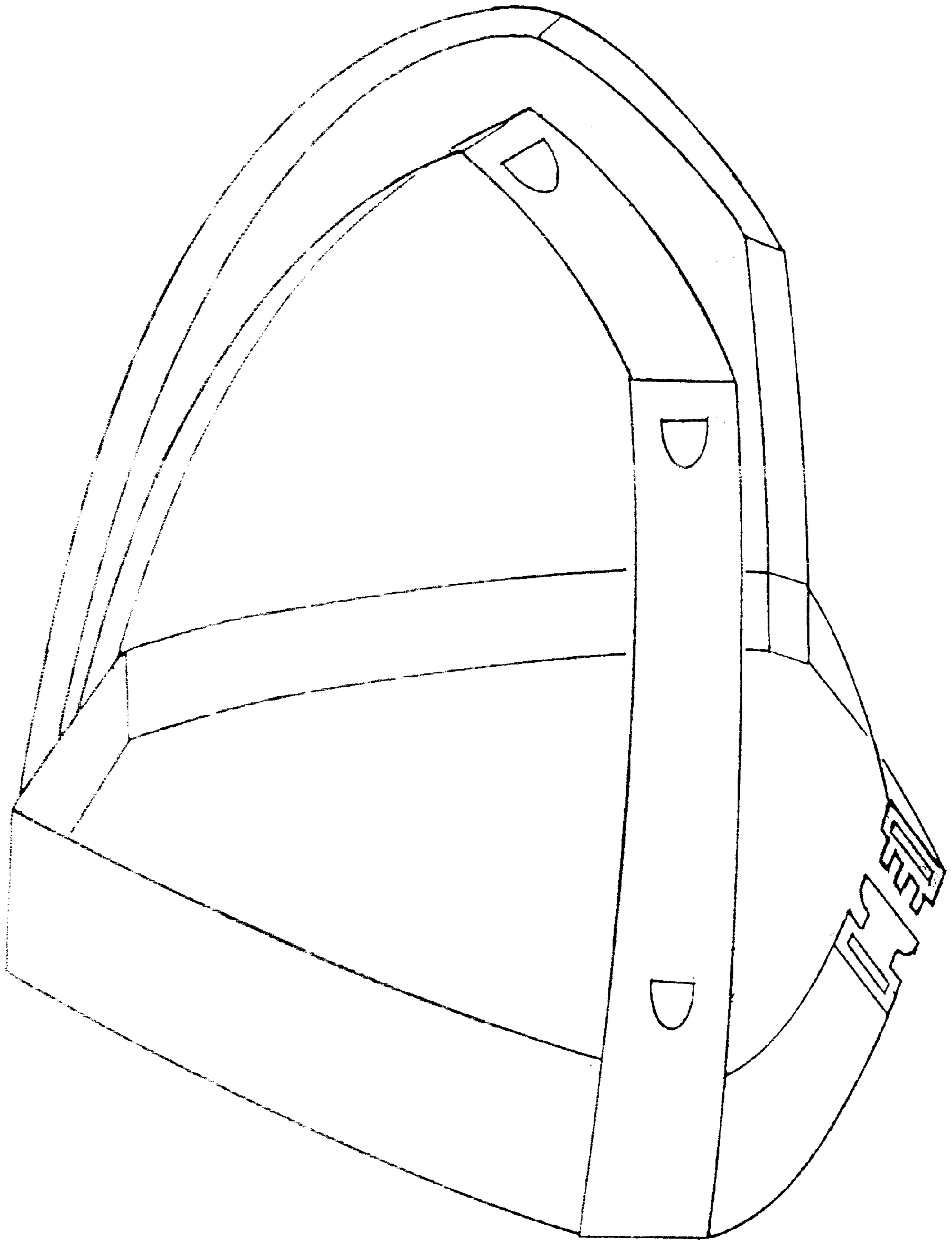


FIGURE 3