



US00D471629S

(12) **United States Design Patent**  
**Whitehead**

(10) **Patent No.:** **US D471,629 S**

(45) **Date of Patent:** **\*\* Mar. 11, 2003**

(54) **TRIPLE TOOTH IMPLANT SUBSTRUCTURE**

(76) Inventor: **George M. Whitehead**, 6226 196th St.  
SW., Suite 2-B, Lynnwood, WA (US)  
98036

(\*\*) Term: **14 Years**

(21) Appl. No.: **29/156,763**

(22) Filed: **Mar. 5, 2002**

(51) **LOC (7) Cl.** ..... **24-01**

(52) **U.S. Cl.** ..... **D24/156**

(58) **Field of Search** ..... D24/156; 433/172,  
433/173, 174, 180, 181

(56) **References Cited**

**U.S. PATENT DOCUMENTS**

5,564,928 A	10/1996	Gittleman	.....	433/180
6,030,219 A *	2/2000	Zuest et al.	.....	433/181
6,089,867 A *	7/2000	Filho	.....	433/175 X
6,283,753 B1 *	9/2001	Willoughby	.....	433/172

\* cited by examiner

*Primary Examiner*—Antoine Duval Davis  
(74) *Attorney, Agent, or Firm*—Dean A. Craine

(57) **CLAIM**

The ornamental design for a triple tooth implant substructure, as shown and described.

**DESCRIPTION**

FIG. 1 is a perspective view of a triple tooth implant substructure.

FIG. 2 is a front elevational view of the invention.

FIG. 3 is a left side elevational view of the invention.

FIG. 4 is a right side elevational view of the invention.

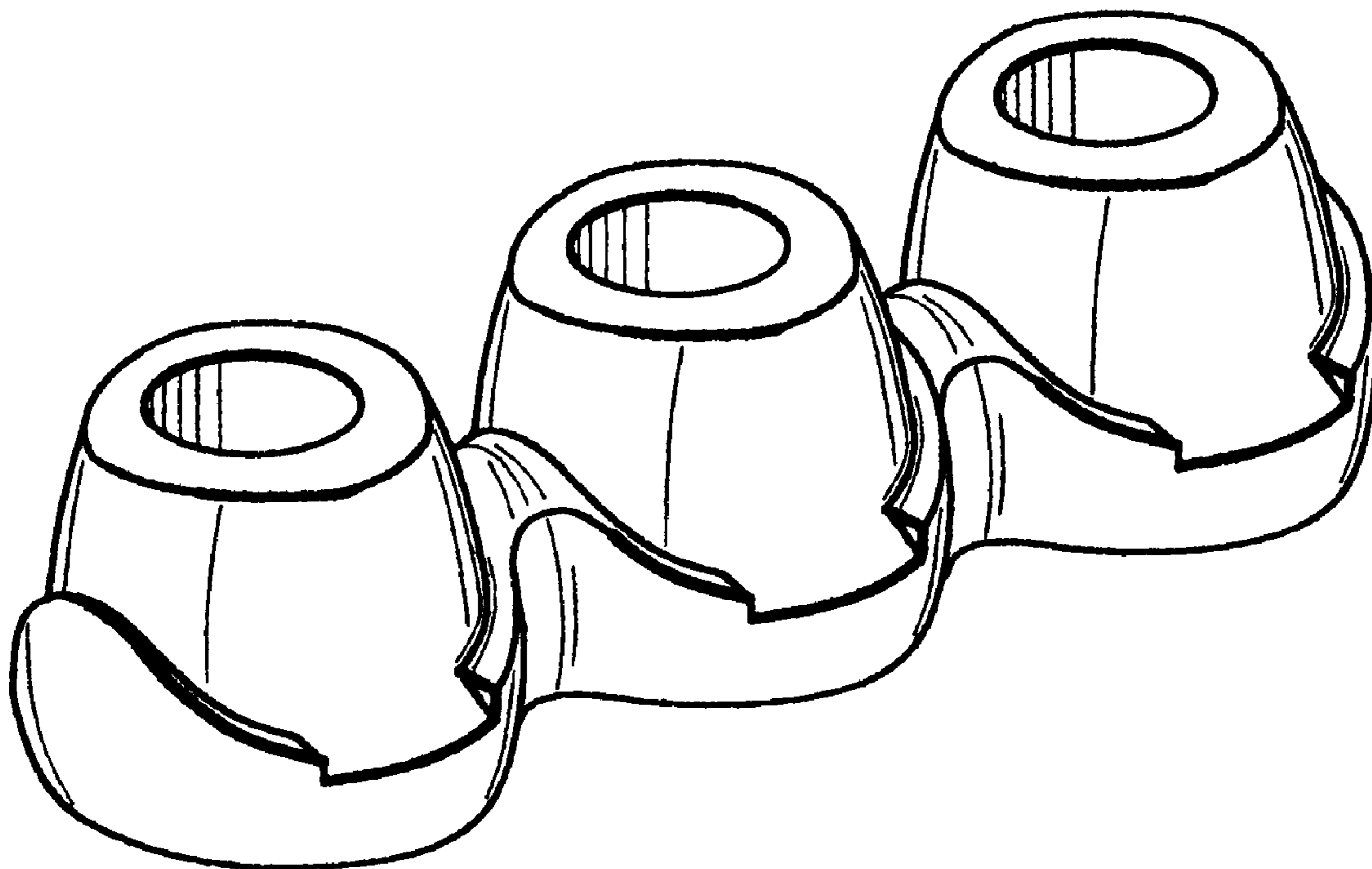
FIG. 5 is a top plan view of the invention.

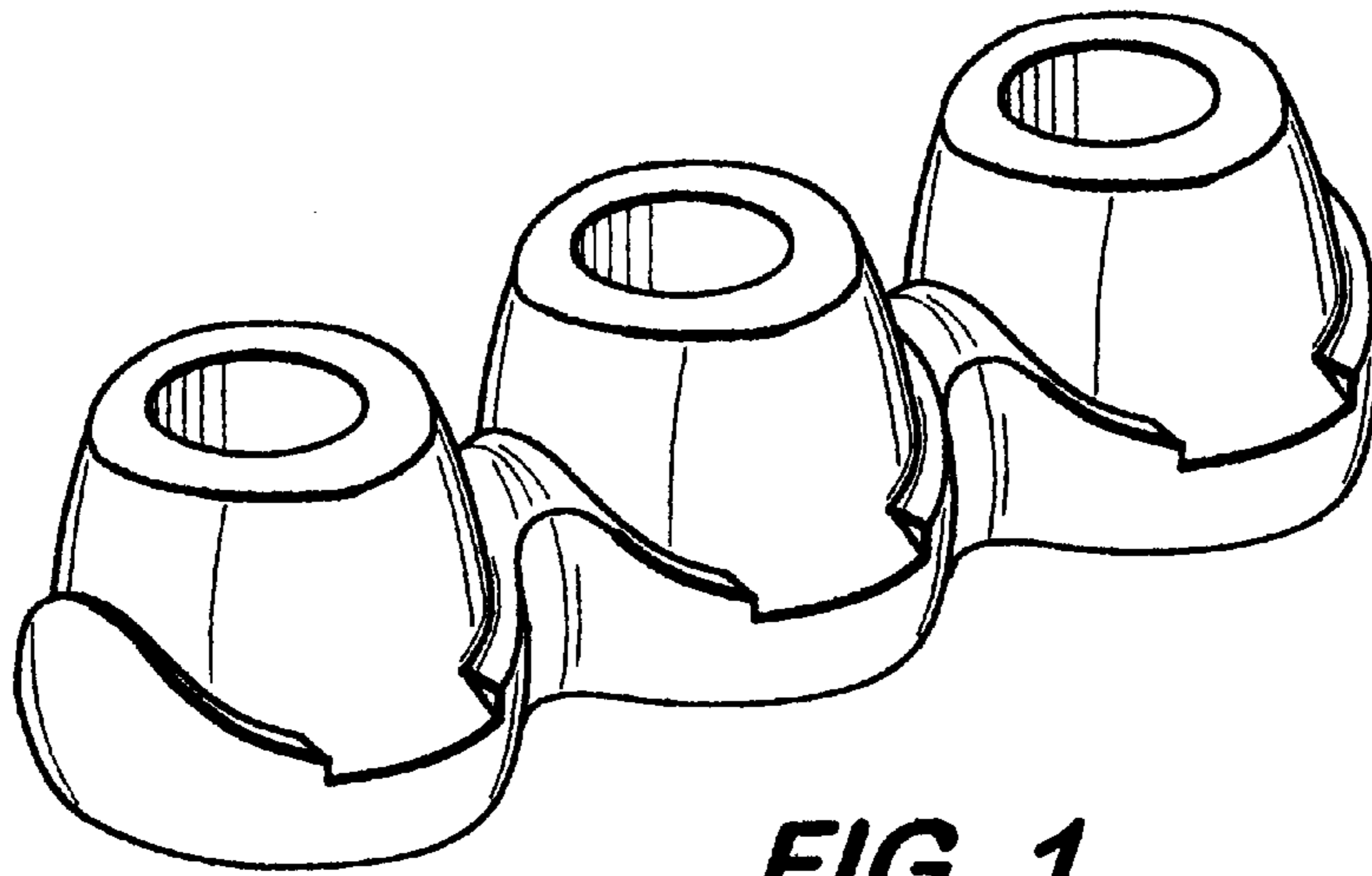
FIG. 6 is a bottom plan view of the invention.

FIG. 7 is a rear elevational view of the invention; and,

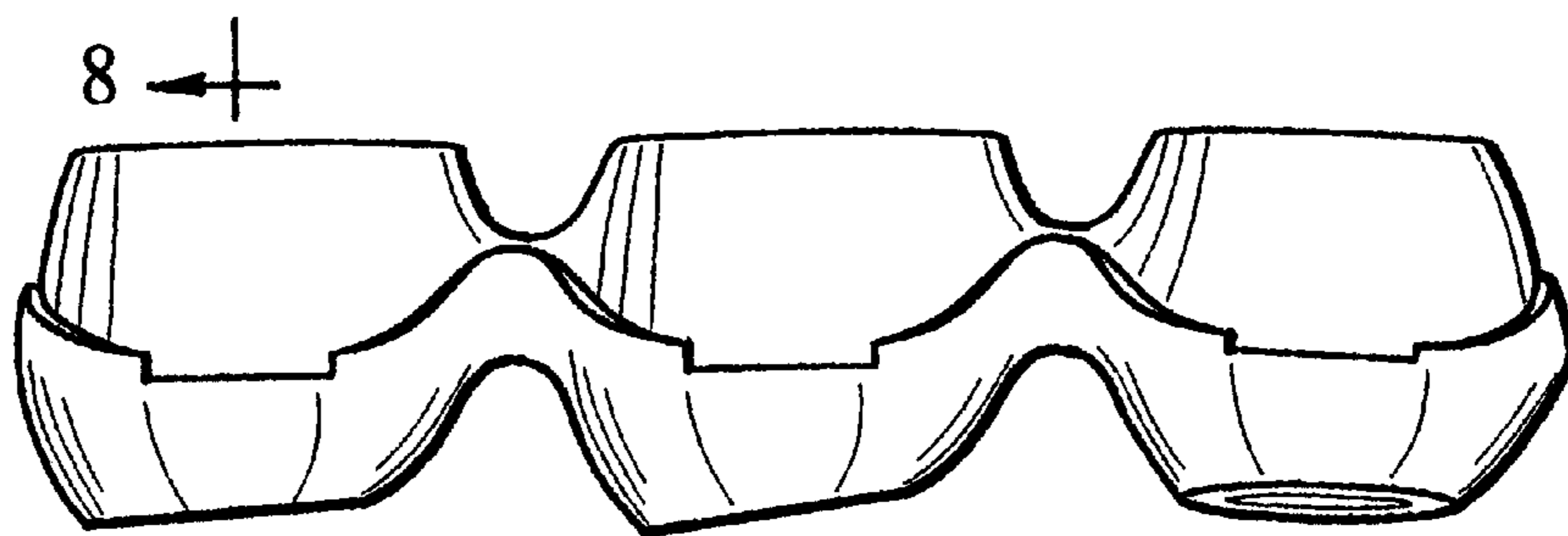
FIG. 8 is a sectional, side elevational view of the invention taken along line 4—4 of FIG. 4.

**1 Claim, 2 Drawing Sheets**





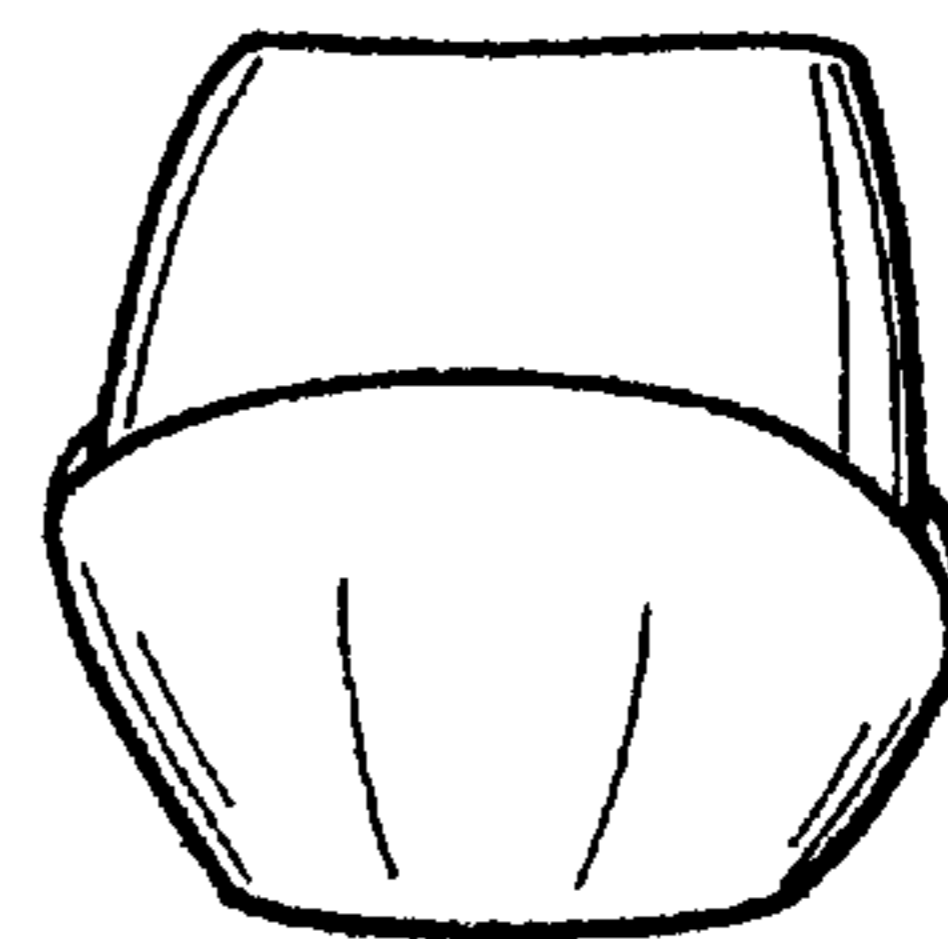
**FIG. 1**



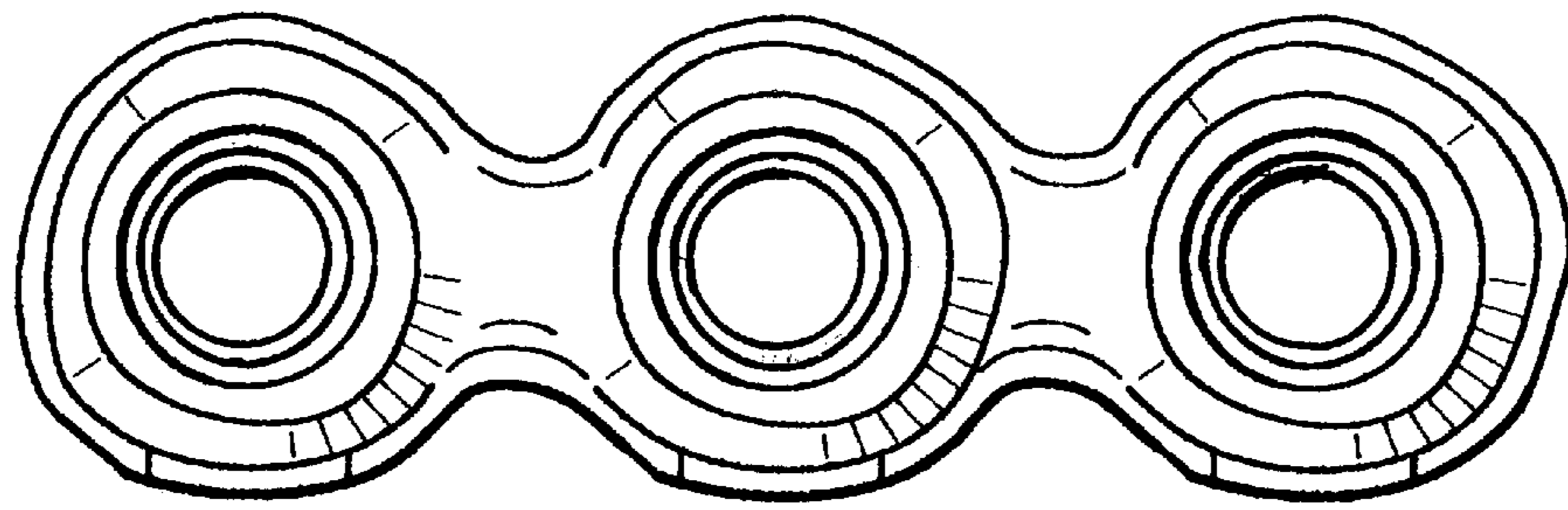
**FIG. 2**



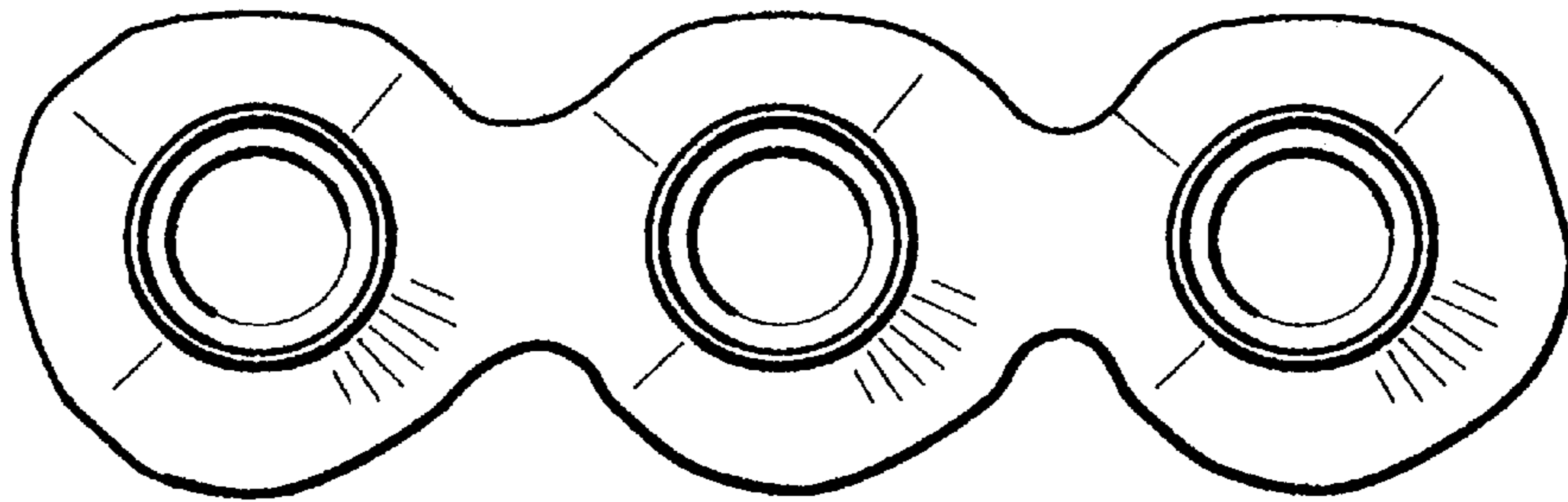
**FIG. 3**



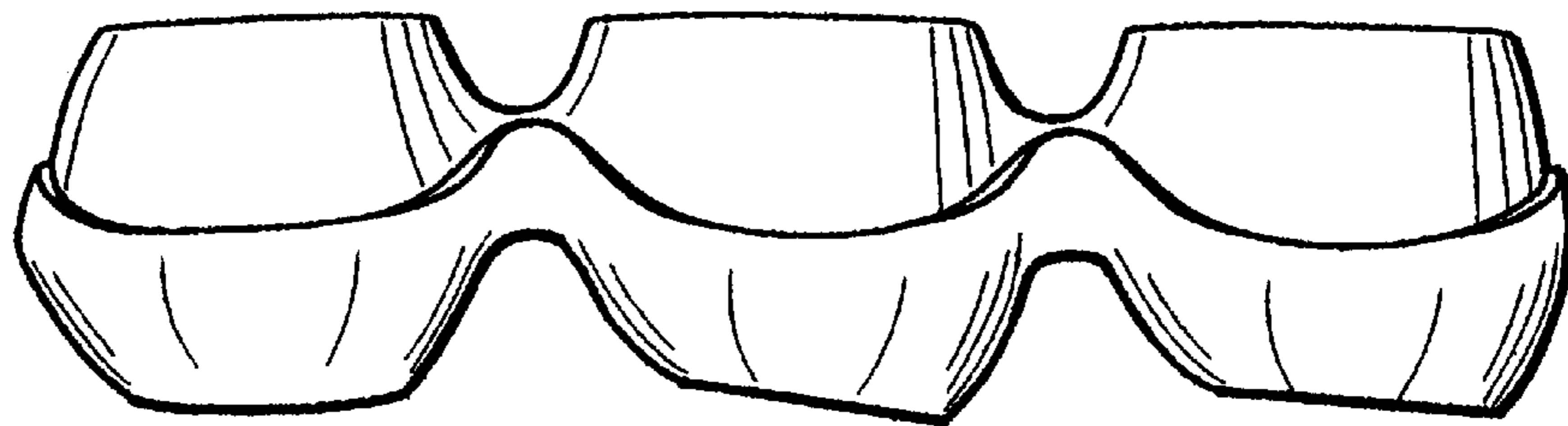
**FIG. 4**



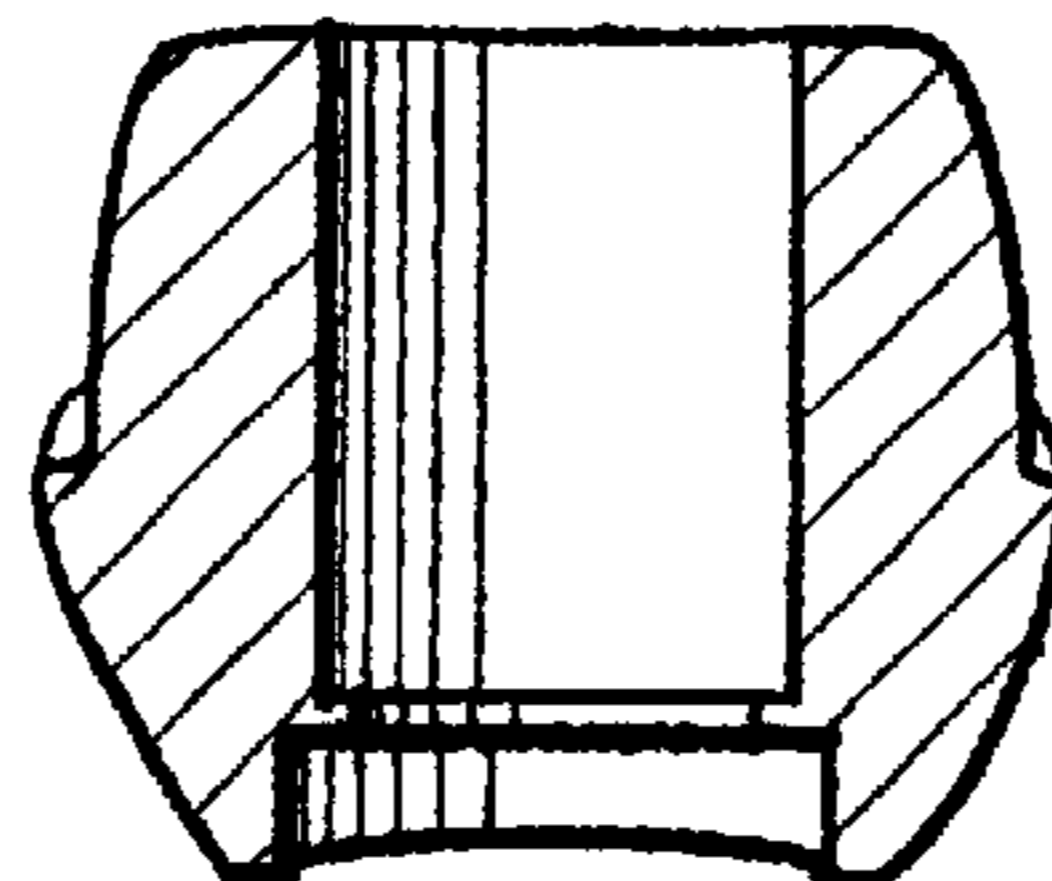
**FIG. 5**



**FIG. 6**



**FIG. 7**



**FIG. 8**