



US00D471628S

(12) **United States Design Patent**
Louviere

(10) **Patent No.:** **US D471,628 S**

(45) **Date of Patent:** **** Mar. 11, 2003**

(54) **MEDICAL VIAL**

(76) **Inventor:** **Kent A. Louviere**, 314 School Board
Dr., New Iberia, LA (US) 70560

(**) **Term:** **14 Years**

(21) **Appl. No.:** **29/158,538**

(22) **Filed:** **Apr. 4, 2002**

Related U.S. Application Data

(62) Division of application No. 29/129,305, filed on Sep. 11,
2000, now Pat. No. Des. 460,175.

(51) **LOC (7) Cl.** **24-02**

(52) **U.S. Cl.** **D24/115**

(58) **Field of Search** D24/115; D9/302,
D9/344, 305, 445, 442, 306; 222/541.2,
541.9, 210, 541.1, 541.4, 541.6, 92, 94,
206, 541.8; 215/48, 46, 49; 604/212, 217,
200; 206/528, 530, 534.1, 820, 484, 480

(56) **References Cited**

U.S. PATENT DOCUMENTS

3,917,120 A 11/1975 Larenz et al.

3,993,223 A * 11/1976 Welker et al. 222/541.9
4,512,475 A 4/1985 Federighi
D282,348 S 1/1986 Federighi
4,790,453 A * 12/1988 Fontana et al. 222/541.2
5,409,125 A * 4/1995 Kimber et al. 215/48
6,234,333 B1 * 5/2001 Federighi et al. 215/48
6,241,124 B1 * 6/2001 Hoyt 222/210

* cited by examiner

Primary Examiner—Ian Simmons

(74) *Attorney, Agent, or Firm*—Domingue & Waddell, PLC

(57) **CLAIM**

The ornamental design for the medical vial, as shown.

DESCRIPTION

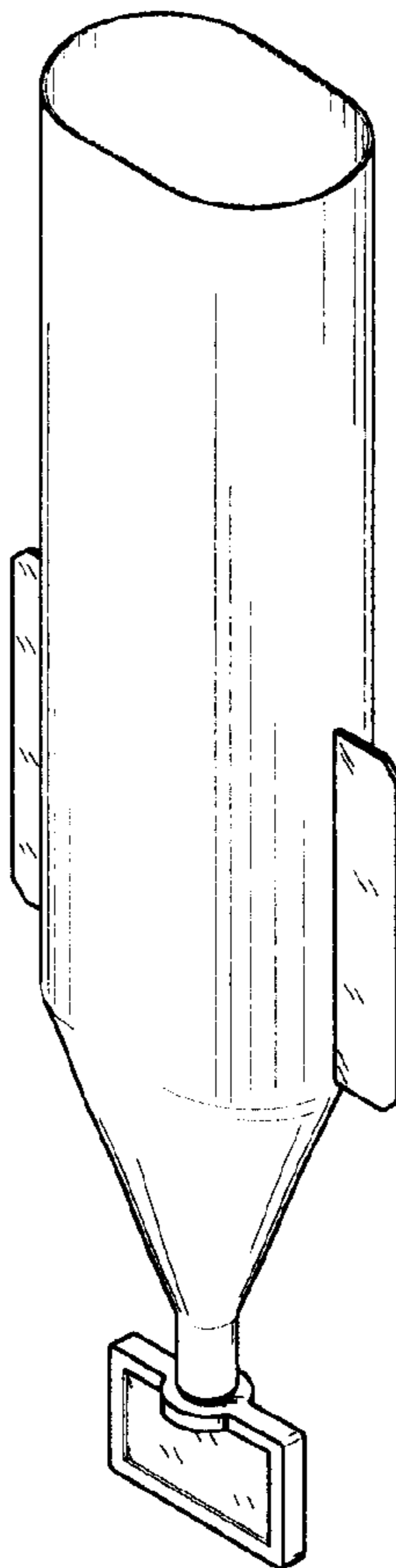
FIG. 1 is a perspective view of a medical vial showing my
new design;

FIG. 2 is a side elevational view thereof;

FIG. 3 is a front elevational view thereof; and,

FIG. 4 is a top plan view thereof.

1 Claim, 1 Drawing Sheet



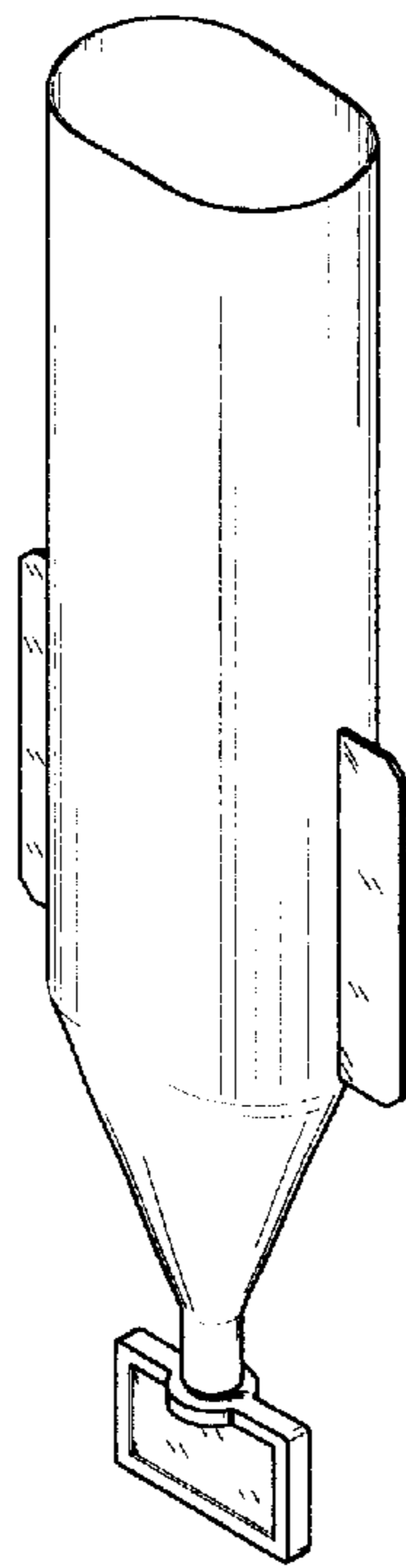


Fig. 1

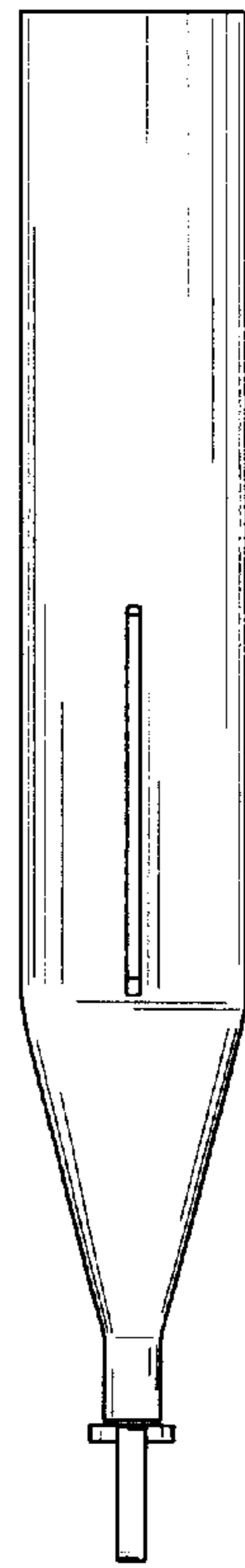


Fig. 2

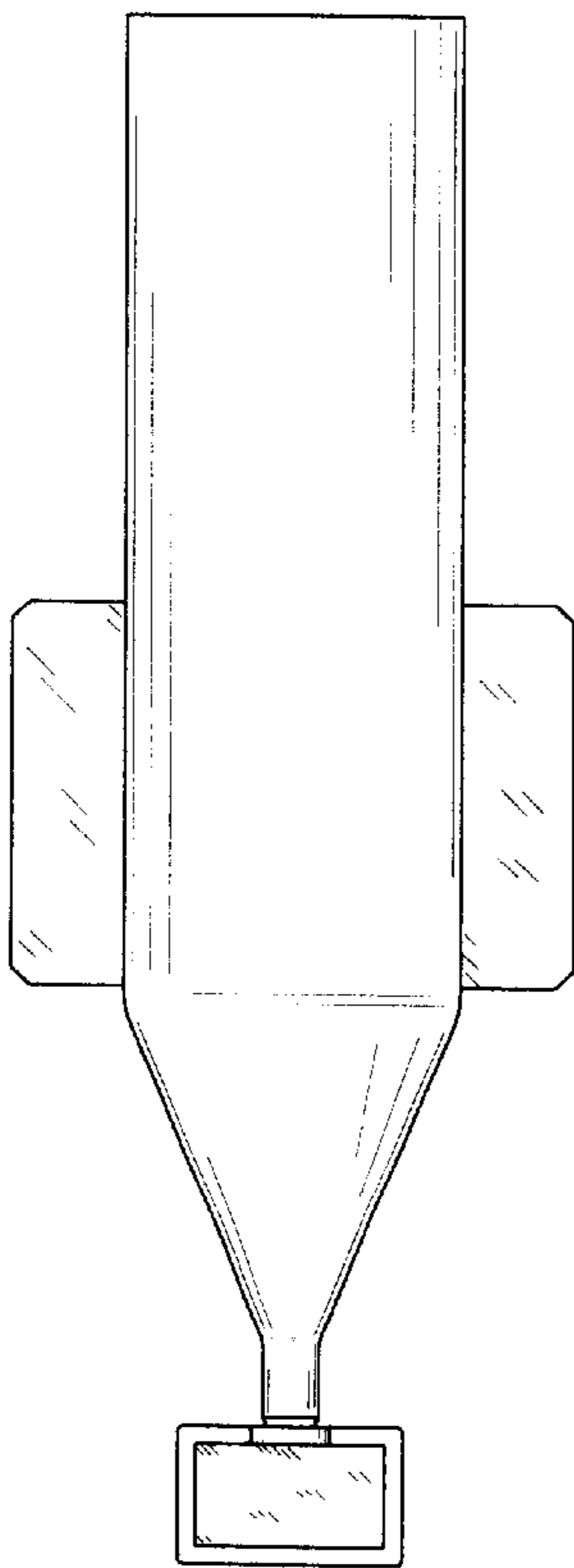


Fig. 3

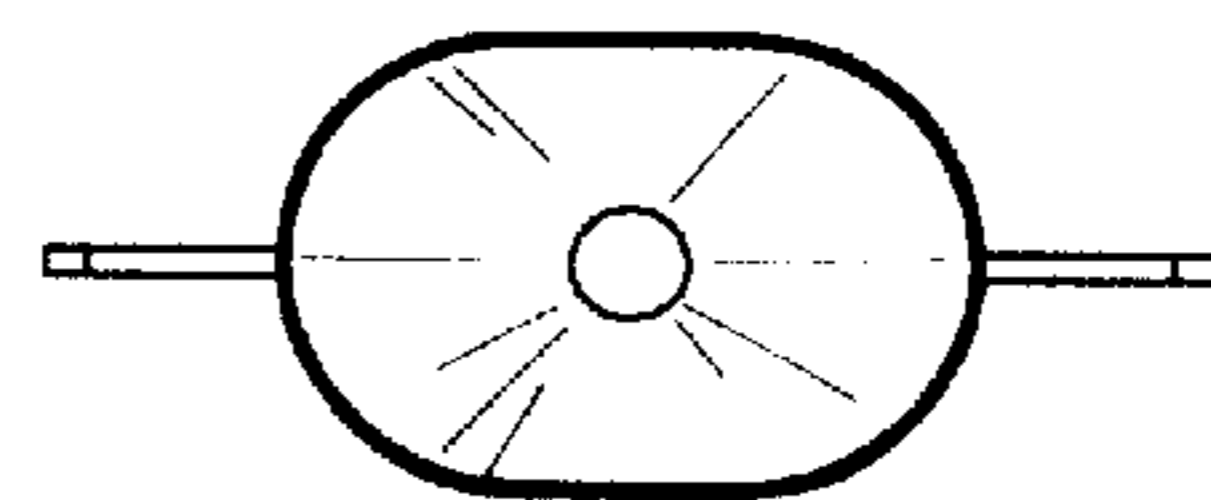


Fig. 4