



US00D471626S

(12) **United States Design Patent**
Terada et al.

(10) **Patent No.:** **US D471,626 S**
(45) **Date of Patent:** **** Mar. 11, 2003**

(54) **NEBULIZER**

(75) Inventors: **Takao Terada**, Kyoto (JP); **Shinya Tanaka**, Kyoto (JP)

(73) Assignee: **Omron Corporation**, Kyoto (JP)

(**) Term: **14 Years**

(21) Appl. No.: **29/151,438**

(22) Filed: **Dec. 10, 2001**

(30) **Foreign Application Priority Data**

Jun. 14, 2001 (JP) 2001-017364

(51) **LOC (7) Cl.** **29-02**

(52) **U.S. Cl.** **D24/110**

(58) **Field of Search** D24/110, 164;
128/200.14, 200.16, 200.21, 200.18

(56) **References Cited**

U.S. PATENT DOCUMENTS

- D366,314 S * 1/1996 Kaizaki et al. D24/110
- D370,255 S * 5/1996 Yamamoto et al. D24/110
- D381,415 S * 7/1997 Iddon et al. D24/110
- 5,921,232 A * 7/1999 Yokoi et al. 128/200.14
- 6,283,118 B1 * 9/2001 Lu 128/200.16

* cited by examiner

Primary Examiner—Ian Simmons

(74) *Attorney, Agent, or Firm*—Dickstein Shapiro Morin & Oshinsky LLP

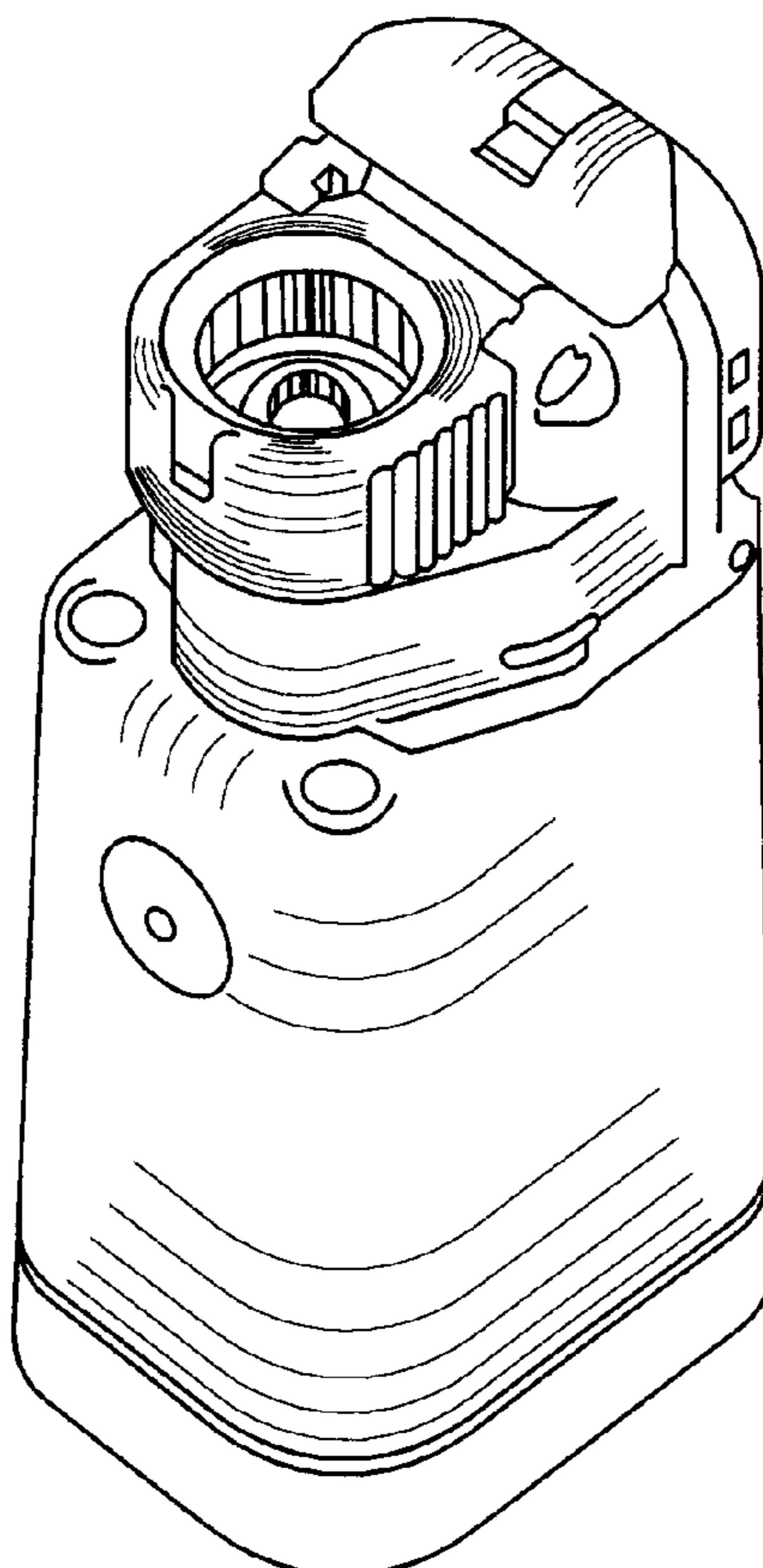
(57) **CLAIM**

The ornamental design for a nebulizer, as shown and described.

DESCRIPTION

FIG. 1 is a front view showing my new design for a nebulizer;
 FIG. 2 is a rear view of the nebulizer of FIG. 1;
 FIG. 3 is a right side view of the nebulizer of FIG. 1;
 FIG. 4 is a top view of the nebulizer of FIG. 1; and
 FIG. 5 is a bottom view of the nebulizer of FIG. 1.
 FIG. 6 is an upper perspective view of the nebulizer for FIG. 1;
 FIG. 7 is a front view of the head portion of the nebulizer, with the body removed;
 FIG. 8 is a right side view thereof;
 FIG. 9 is a bottom view thereof;
 FIG. 10 is an upper perspective view thereof;
 FIG. 11 is an upper perspective view thereof, with the nozzle and cover shown in open position; and,
 FIG. 12 is an upper perspective view of the body portion of the nebulizer, shown with the head portion removed.

1 Claim, 4 Drawing Sheets



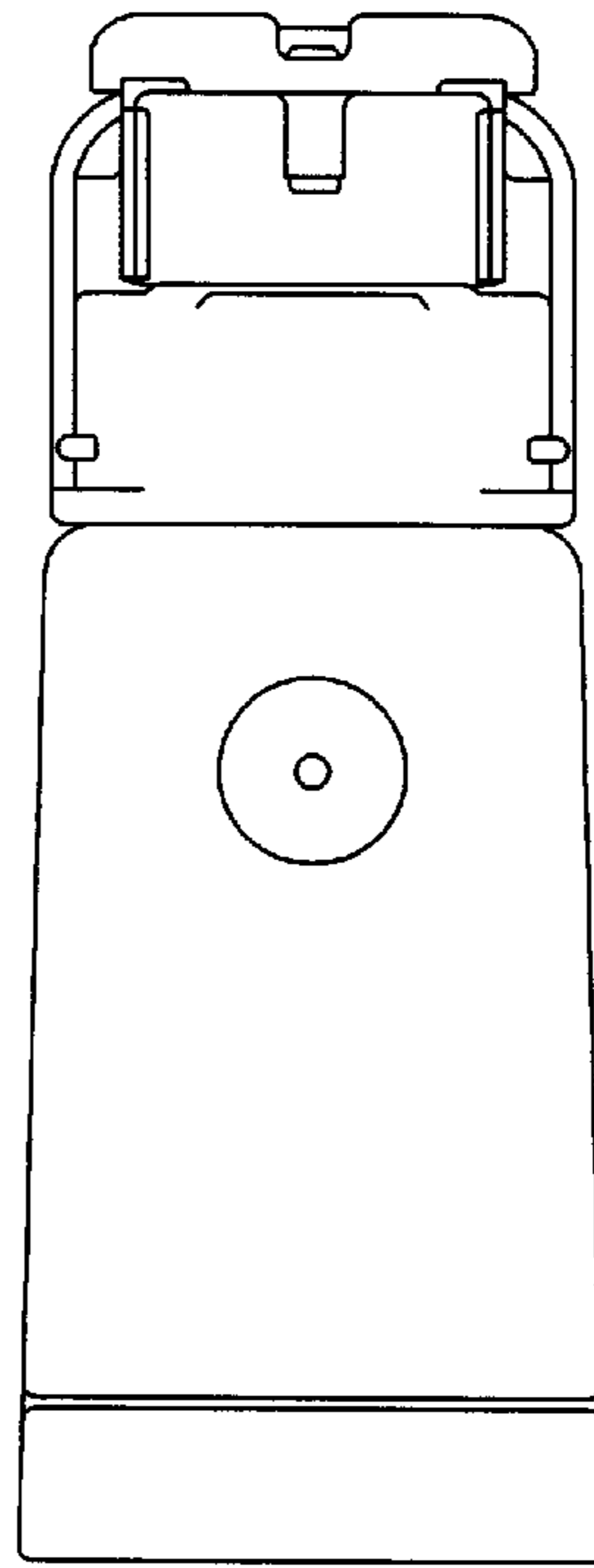


Fig. 1

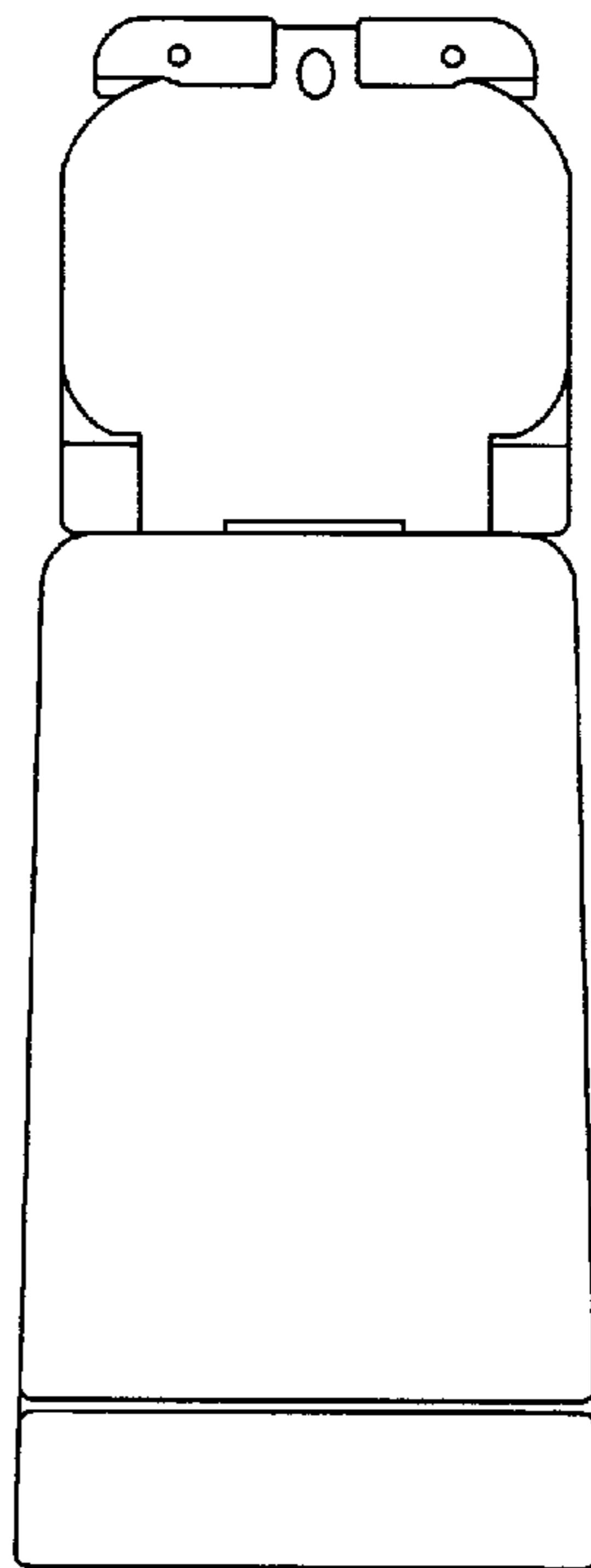


Fig. 2

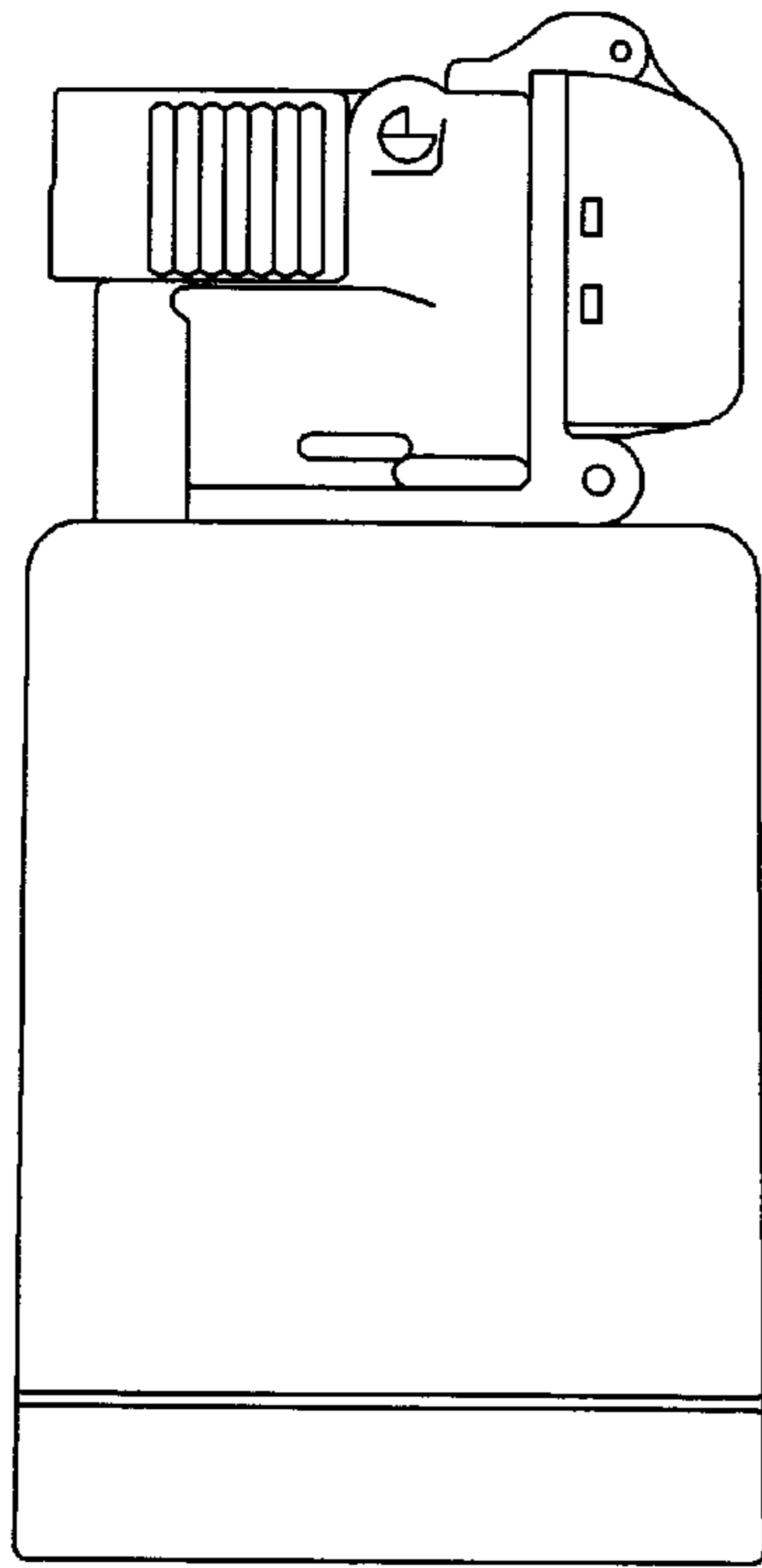


Fig. 3

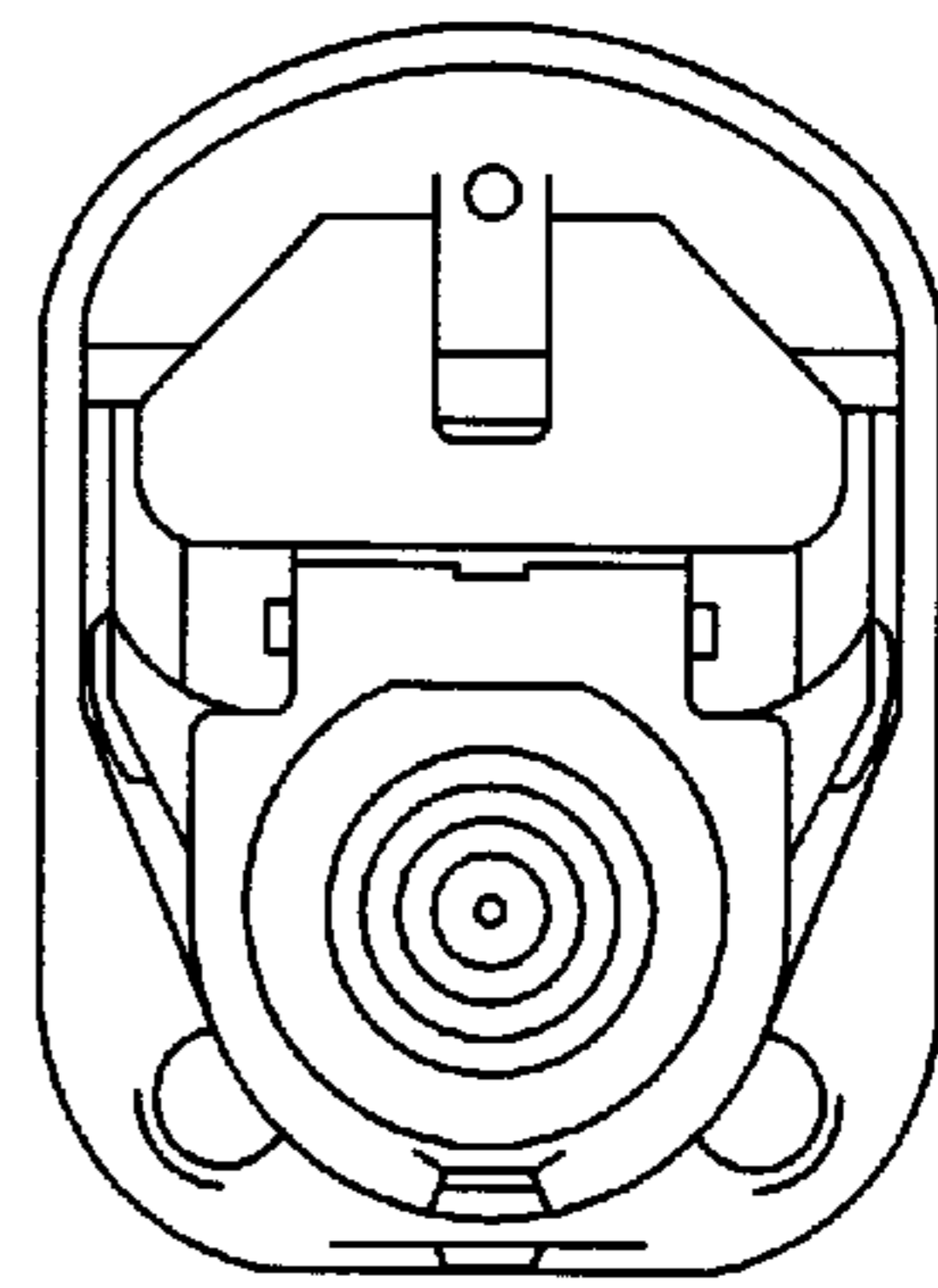


Fig. 4

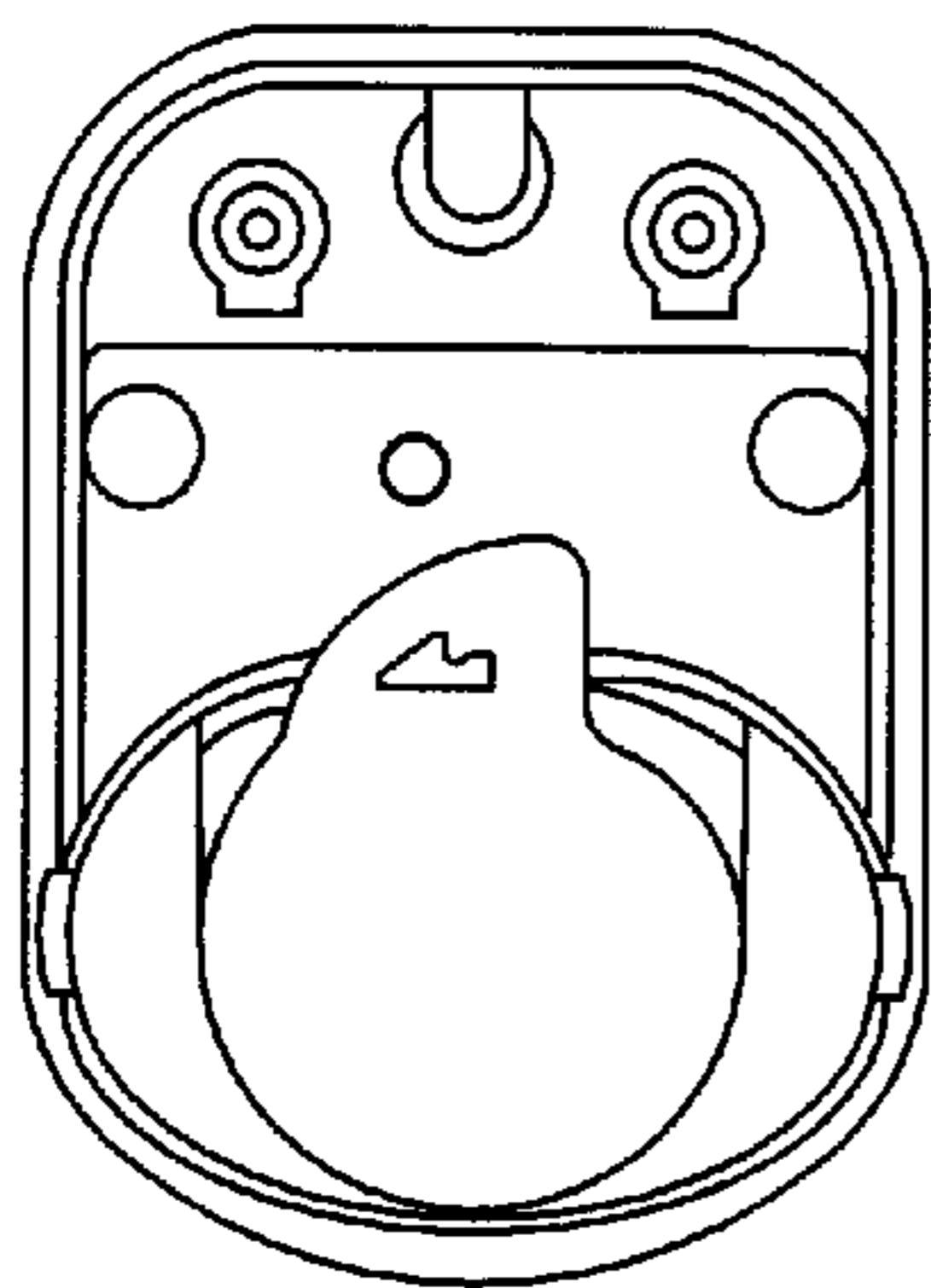


Fig. 5

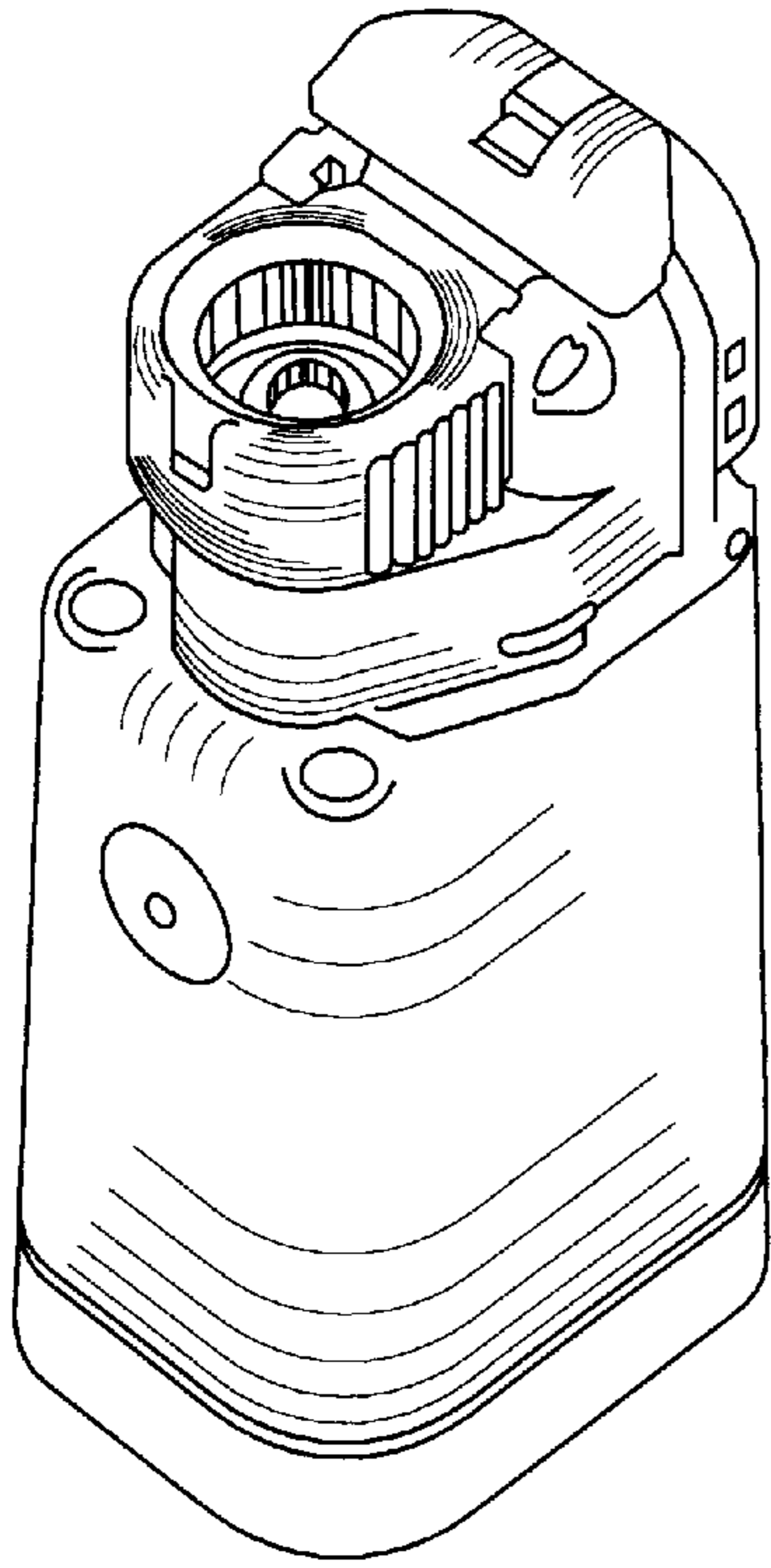


Fig. 6

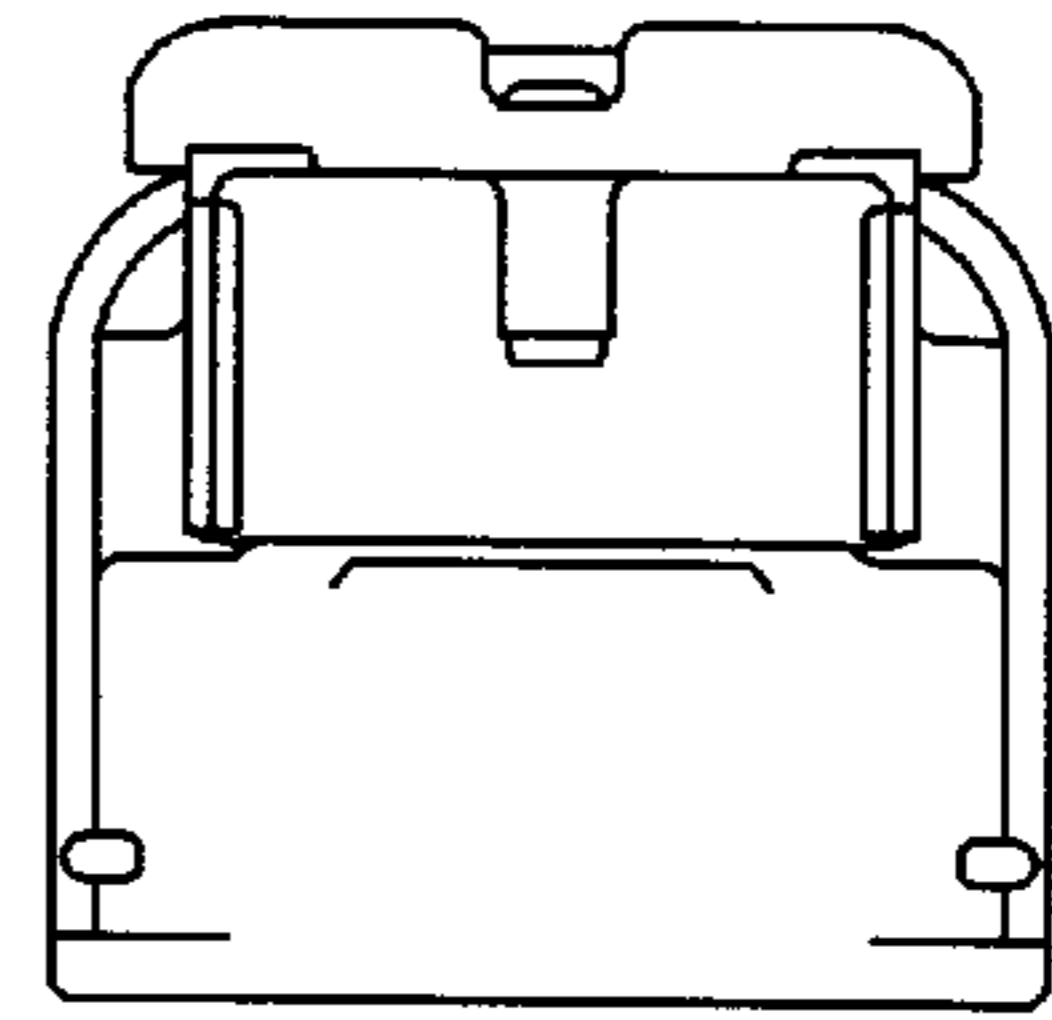


Fig. 7

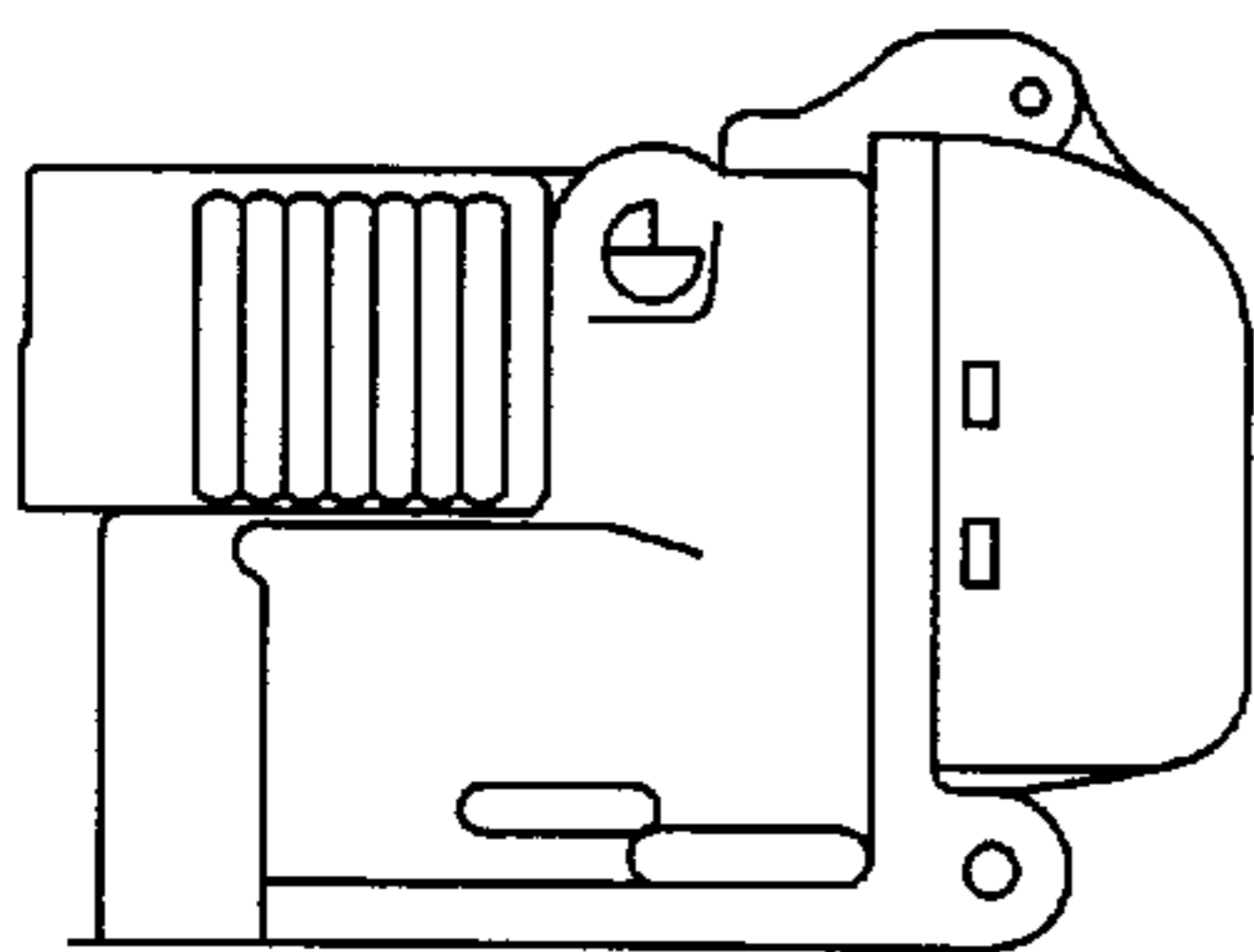


Fig. 8

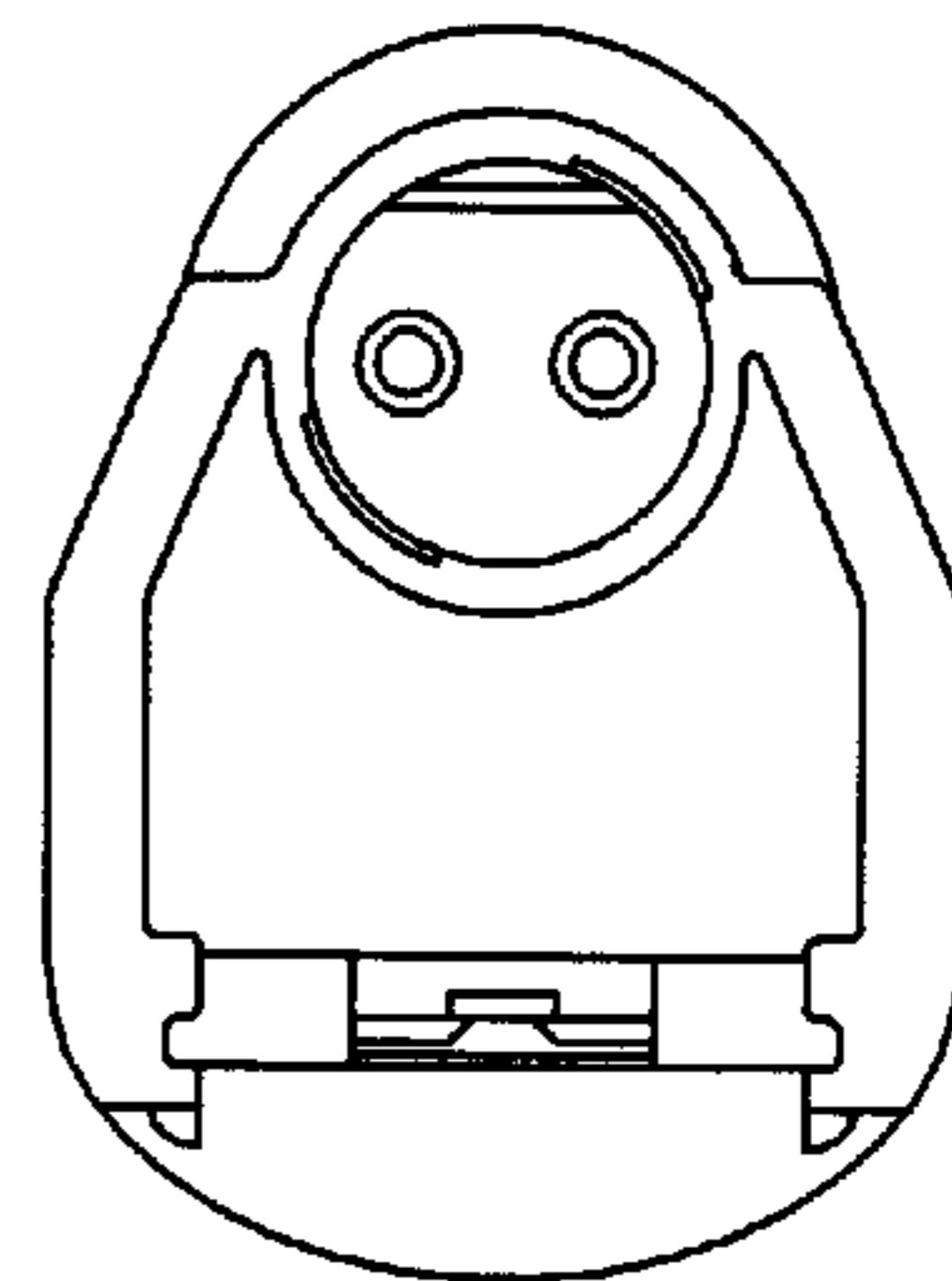


Fig. 9

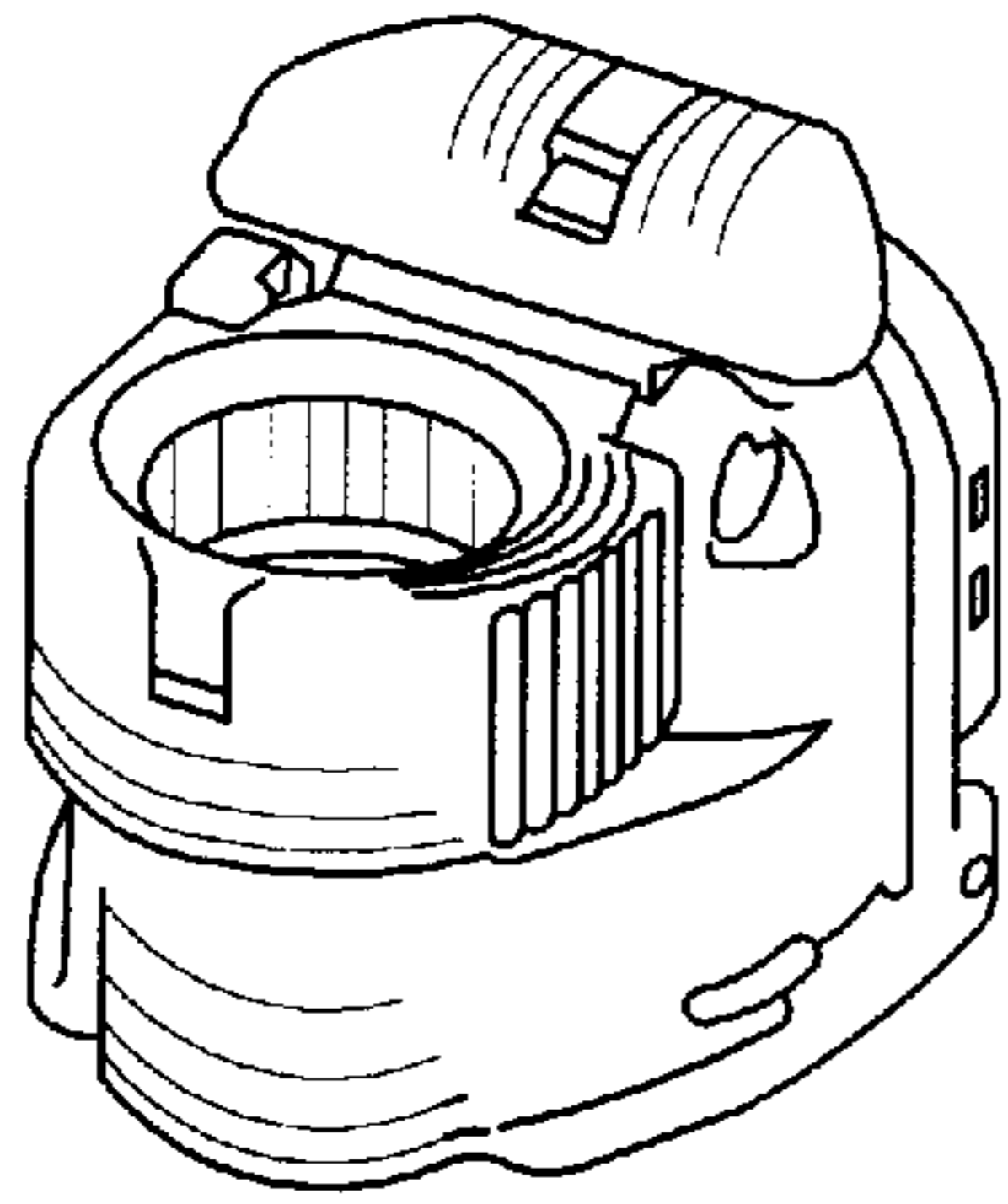


Fig. 10

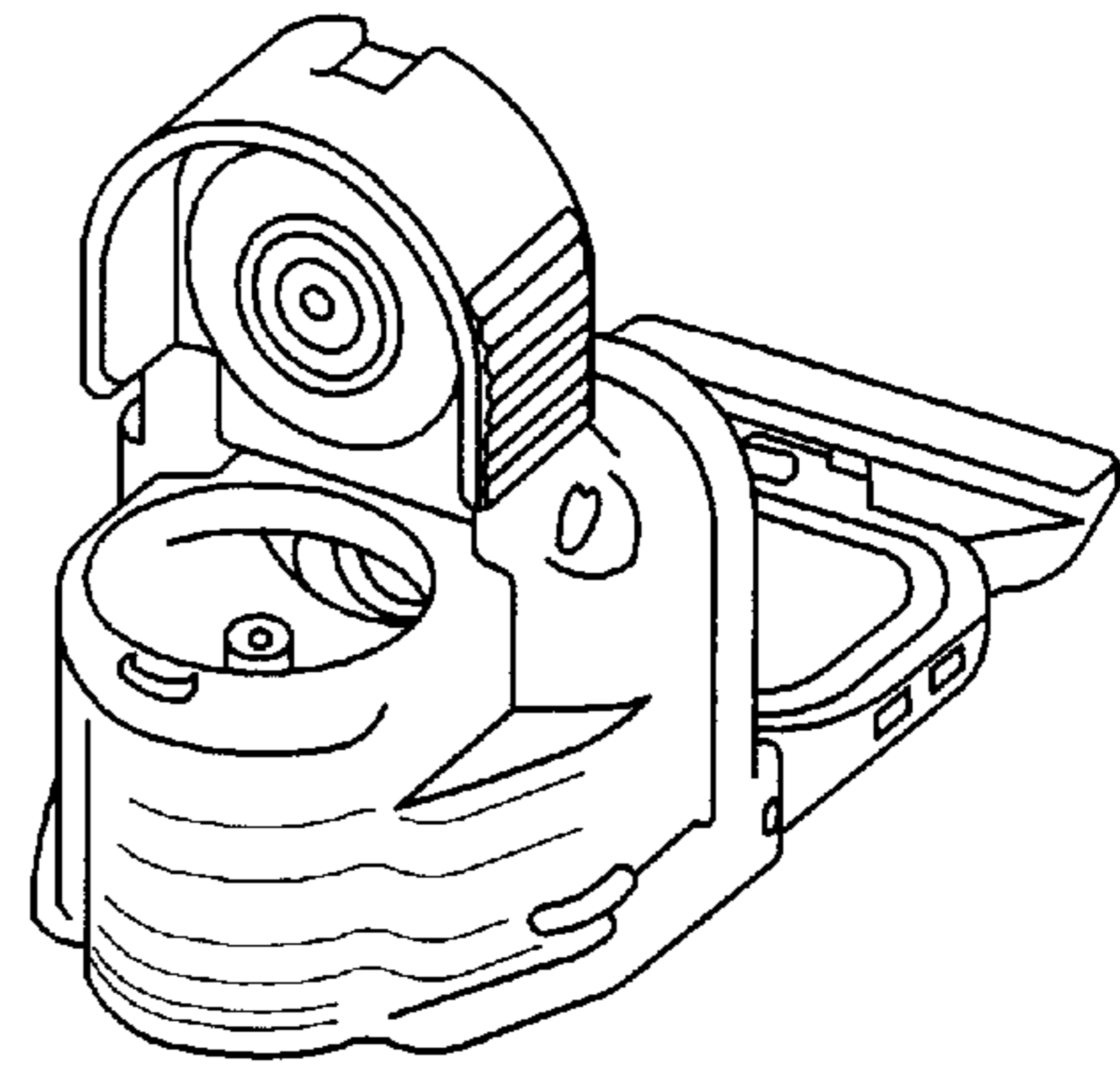


Fig. 11

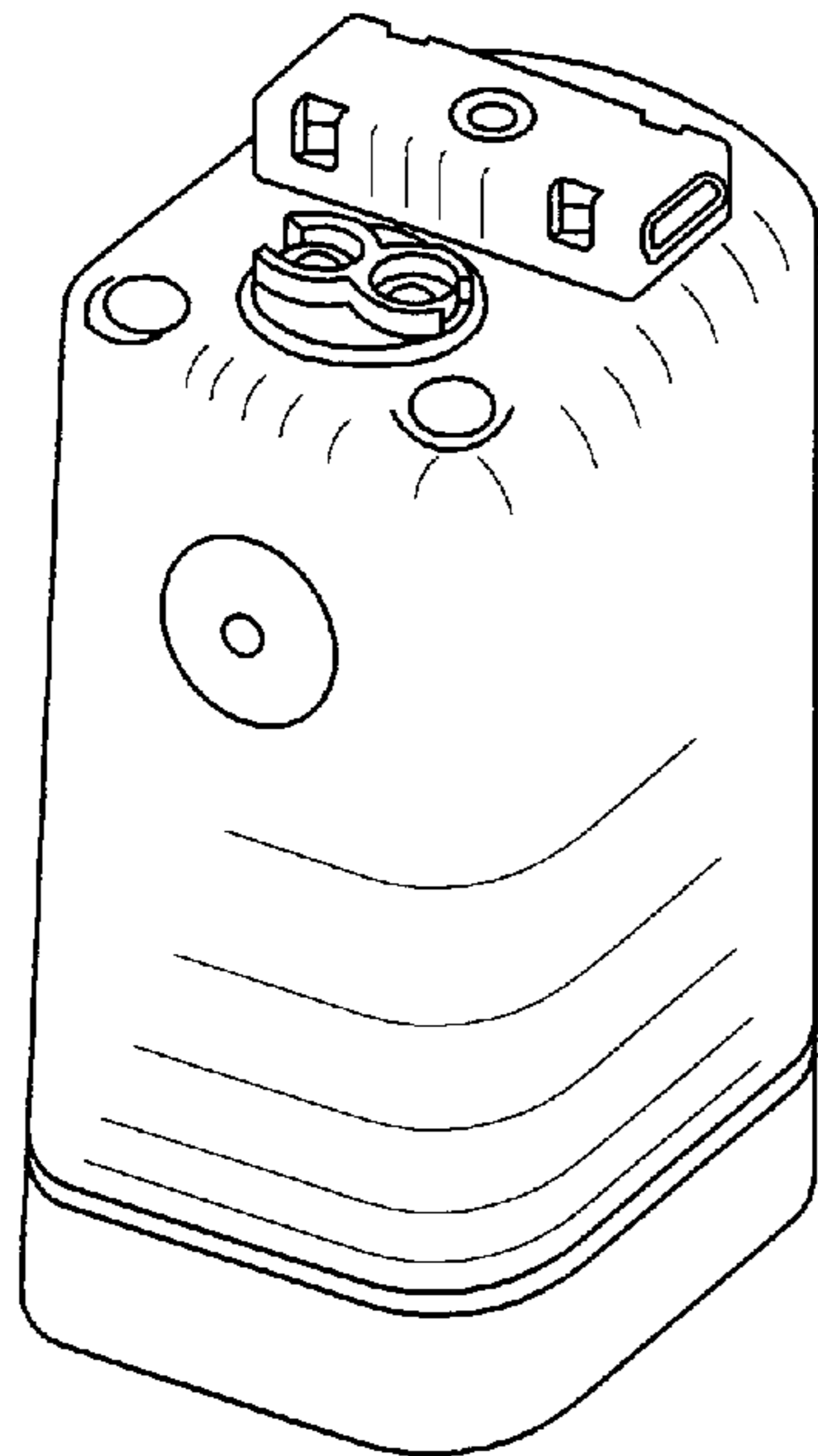


Fig. 12