



US00D471625S

(12) **United States Design Patent**
Falco

(10) **Patent No.:** **US D471,625 S**

(45) **Date of Patent:** **** Mar. 11, 2003**

(54) **EARPLUG**

6,241,042 B1 * 6/2001 Falco 181/130

(75) Inventor: **Robert Falco**, Indianapolis, IN (US)

* cited by examiner

(73) Assignee: **Cabot Safety Intermediate Co.**,
Newark, DE (US)

Primary Examiner—Ian Simmons

(74) *Attorney, Agent, or Firm*—Cantor Colburn LLP

(**) Term: **14 Years**

(57) **CLAIM**

The ornamental design for an earplug, as shown and described.

(21) Appl. No.: **29/157,200**

(22) Filed: **Mar. 14, 2002**

DESCRIPTION

(51) **LOC (7) Cl.** **24-04**

FIG. 1 is a bottom, side perspective view of an earplug thereof;

(52) **U.S. Cl.** **D24/106**

FIG. 2 is a first side elevational view thereof, the opposite side being a mirror image thereof;

(58) **Field of Search** D24/106; 181/130,
181/135; 128/864, 865, 866

FIG. 3 is a second side elevational view thereof, the opposite side being a mirror image thereof;

(56) **References Cited**

U.S. PATENT DOCUMENTS

5,002,151 A * 3/1991 Oliveira et al. 181/135

FIG. 4 is a bottom plan view thereof; and,

6,082,485 A * 7/2000 Smith 181/135

FIG. 5 is a top plan view thereof.

1 Claim, 3 Drawing Sheets

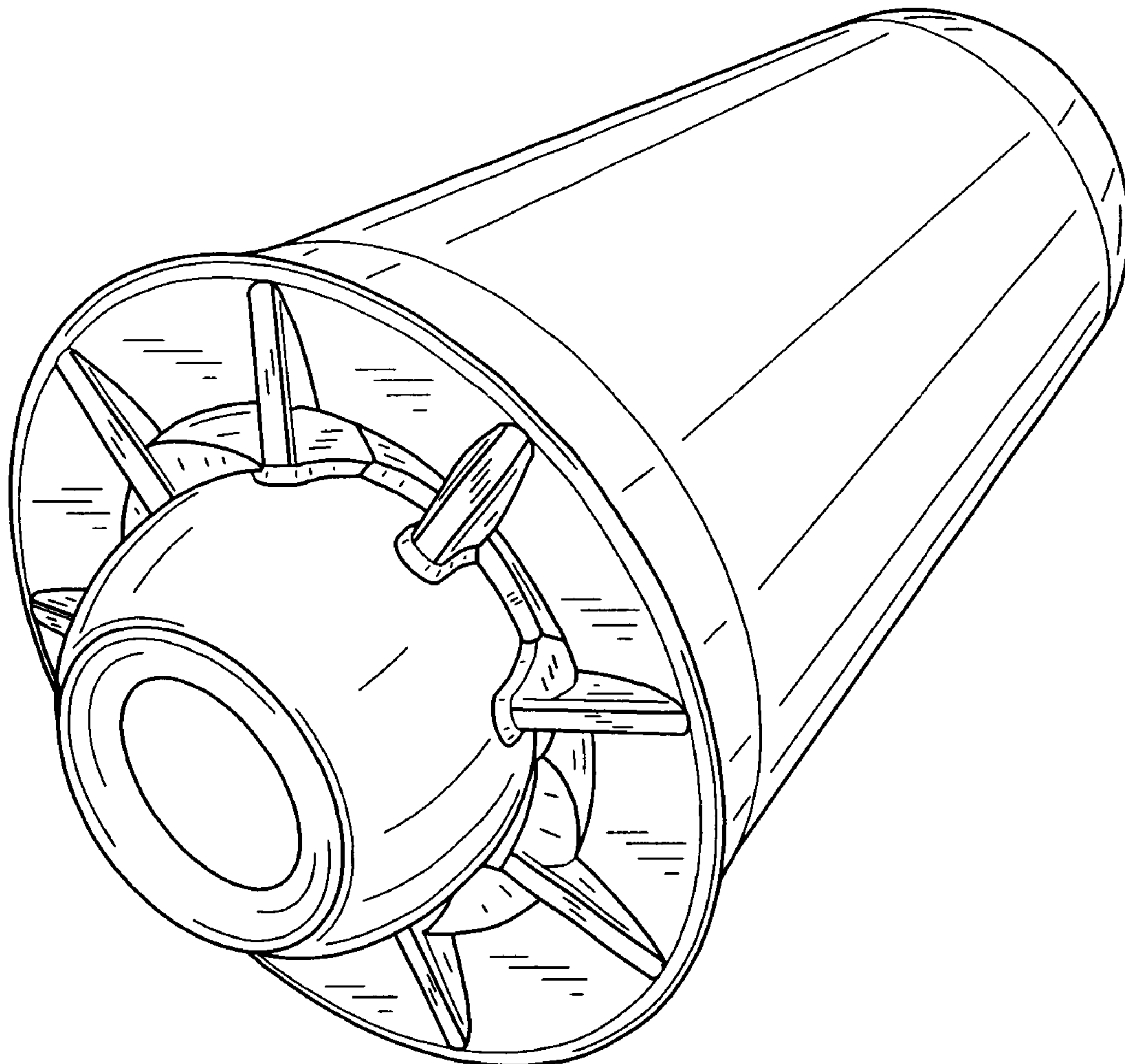


FIG. 1

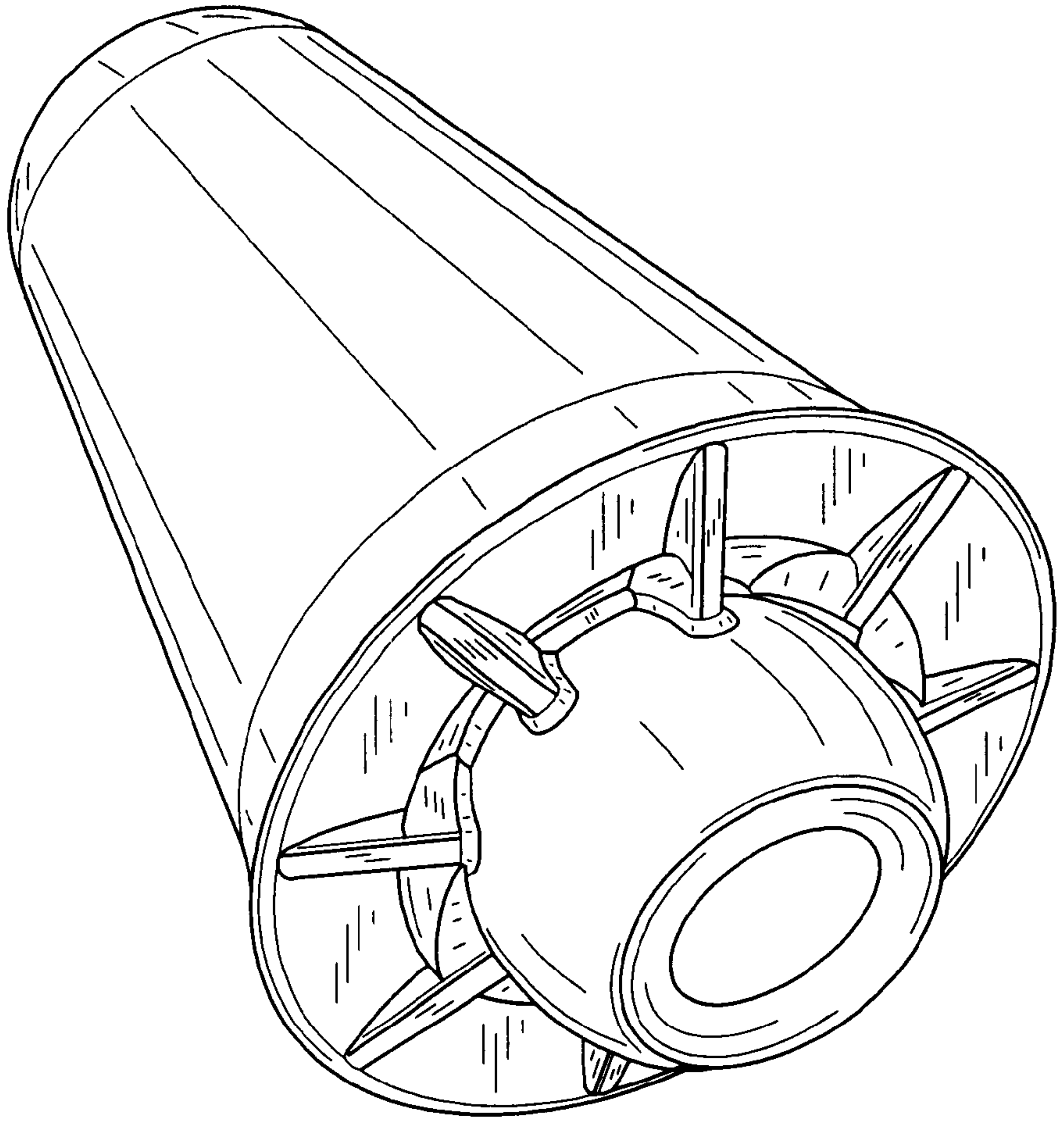


FIG. 3

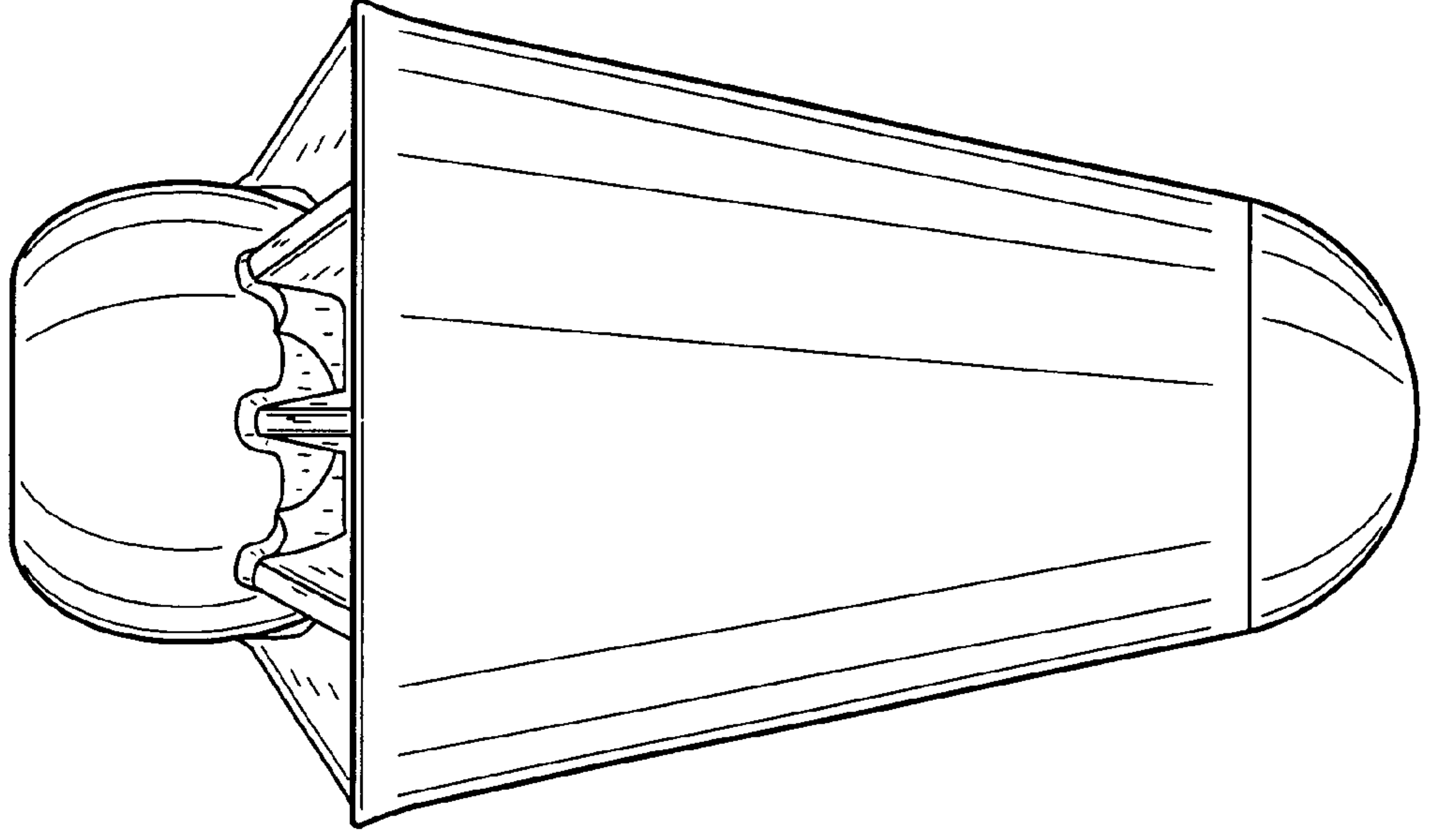


FIG. 2

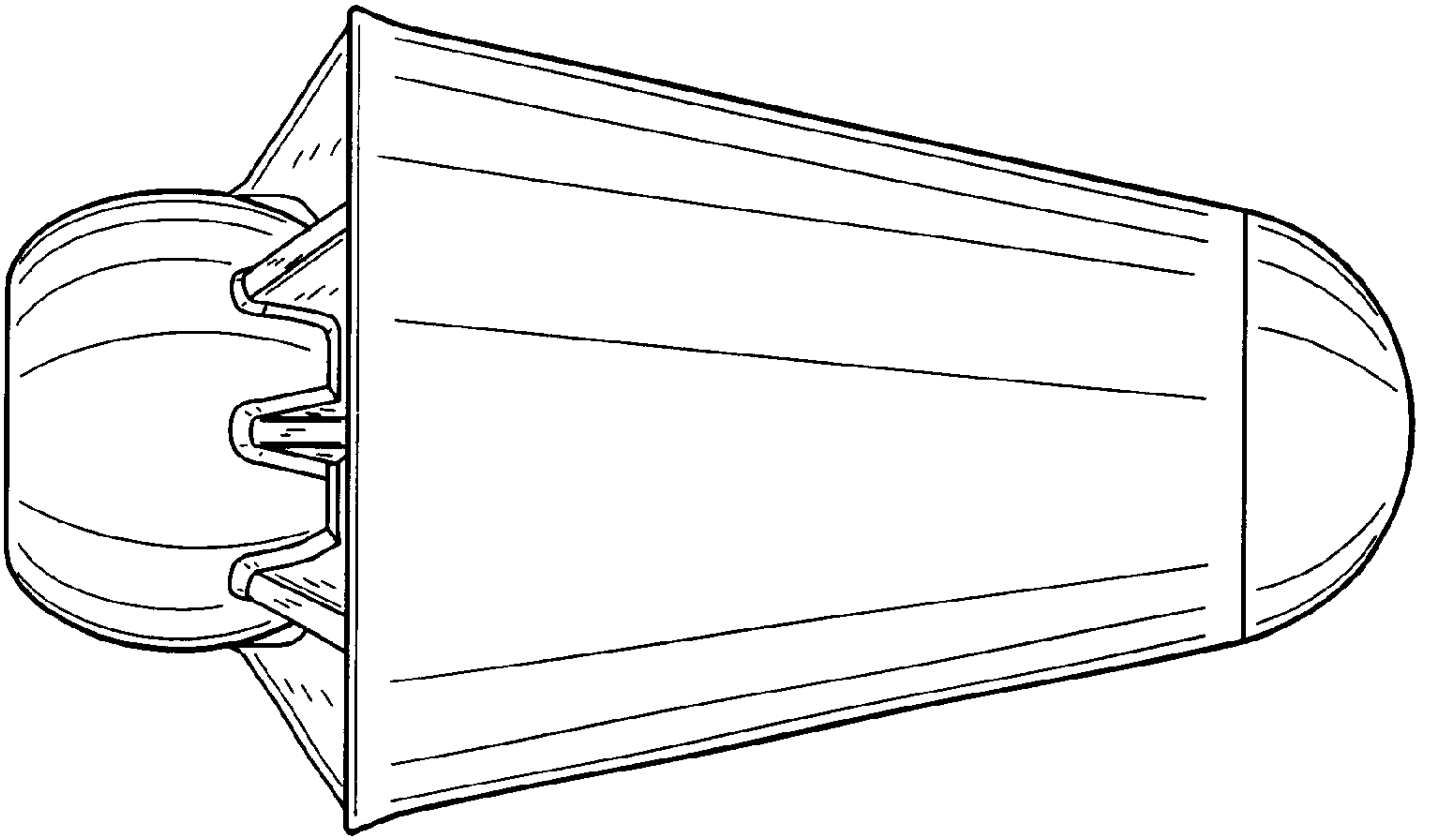


FIG. 5

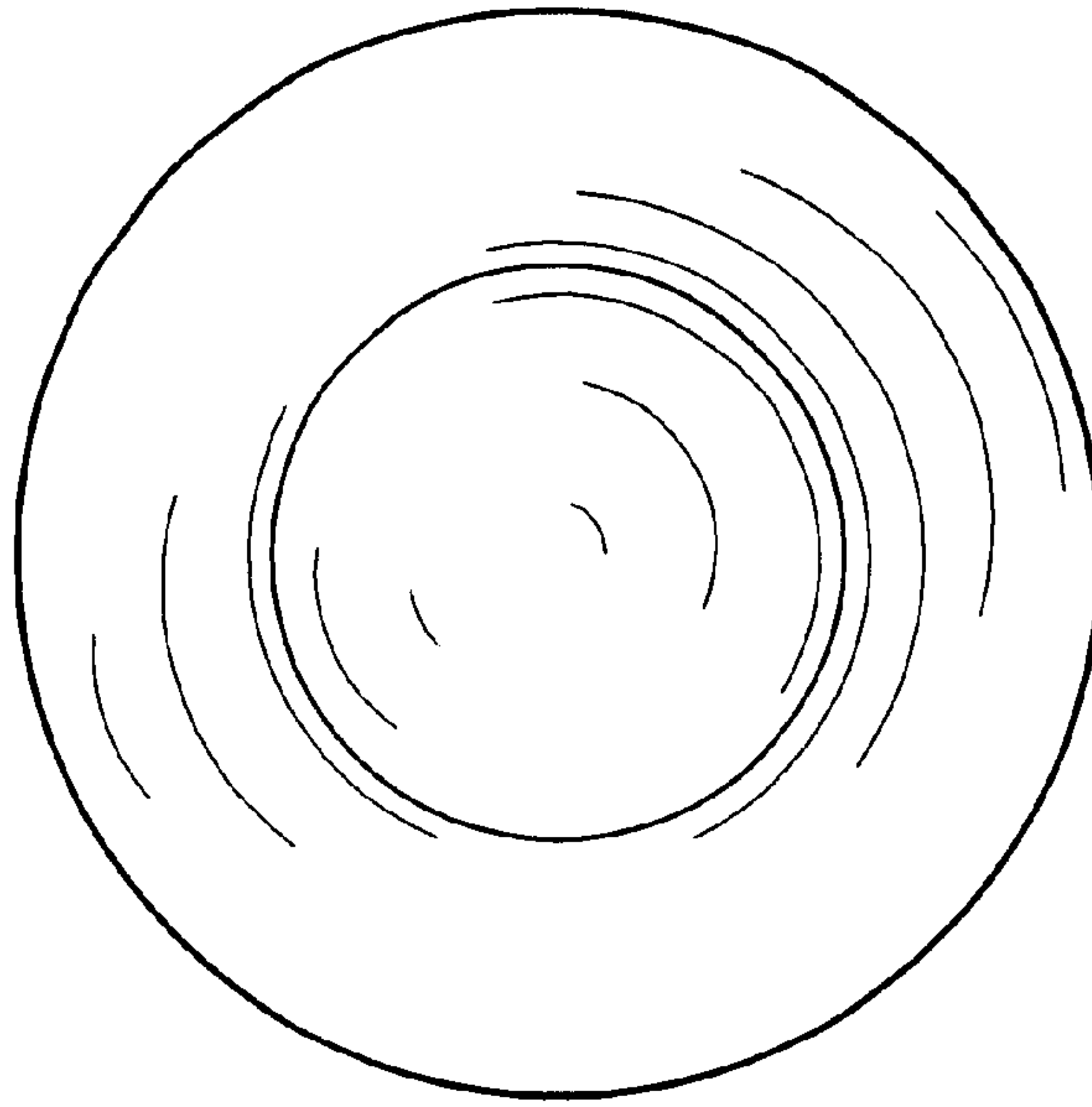


FIG. 4

