



US00D471624S

(12) **United States Design Patent**
Hurlstone et al.

(10) **Patent No.:** **US D471,624 S**

(45) **Date of Patent:** **** Mar. 11, 2003**

(54) **VENTILATION ROTOR**

(75) Inventors: **Christopher John Hurlstone**, Newport (GB); **Mark Anthony Di Cioccio**, Bury St. Edmunds (GB); **Reuben Wu**, Saffron Walden (GB); **Sophie Rebecca Butler**, Swavesey (GB); **Robert Cheetham Halstead**, Enfield (GB); **Alan Peter Tye**, Tring (GB); **Kevin Alan Alex Tye**, Tring (GB)

(73) Assignee: **Flettner Ventilator Limited**, London (GB)

(**) Term: **14 Years**

(21) Appl. No.: **29/148,496**

(22) Filed: **Sep. 20, 2001**

(30) **Foreign Application Priority Data**

Mar. 20, 2001 (GB) 2100462

(51) **LOC (7) Cl.** **23-04**

(52) **U.S. Cl.** **D23/376**

(58) **Field of Search** D23/376, 386-395, D23/411-412, 499; 72/67, 80-84, 86; 52/95, 302.3; 416/244 R, 247 R; D25/53; 329/347, 365-369; 454/237, 250, 275-276, 279-283, 309-317

(56) **References Cited**

U.S. PATENT DOCUMENTS

D118,851 S	*	2/1940	Demuth	D23/390
D149,949 S	*	6/1948	Kennedy	D23/390
4,145,961 A	*	3/1979	Lolli	454/312
D259,208 S	*	5/1981	McCullough	D23/376
D270,276 S		8/1983	Stern et al.		
D428,484 S	*	7/2000	Zirk	D23/393
D453,960 S	*	2/2002	Shelby et al.	D23/411

FOREIGN PATENT DOCUMENTS

DE	175820	10/1906
DE	521795	3/1931
GB	295019	10/1929

GB	1 523 406	7/1977
GB	1 518 151	7/1978
GB	2 081 882 A	2/1982

OTHER PUBLICATIONS

Product literature for Flettner '2000.' Date unknown. Four (4) sheets.

Product literature for Invertec Low Voltage Lighting. Date unknown. Two (2) sheets. www.gnc-systems.com/210e.htm.

Product literature for Ventilation by NIDRO. Date unknown. Two (2) sheets. www.nidro.com/enventilatie.htm.

Product literature for Weston Body Hardware Rotary Ventilator & Grille. Date unknown. One (1) sheet.

Product literature for SORTIMO ventilation systems. Date unknown. Two (2) sheets.

Product literature for Pacet's Superslim. May 1998 Jun. 1998; Jul. 1998; Sep. 1998; Oct. 1998; Nov. 1998, Apr. 1999. Thirty-one (31) sheets.

Photos of Flettner '2000' product. Date unknown. Five (5) photos on three (3) sheets.

Photos of 'UBS' product. Date unknown. Six (6) photos on three (3) sheets.

* cited by examiner

Primary Examiner—Louis S. Zarfaz
Assistant Examiner—Robert A. Delehanty
 (74) *Attorney, Agent, or Firm*—Clayton, Howarth & Cannon, P.C.

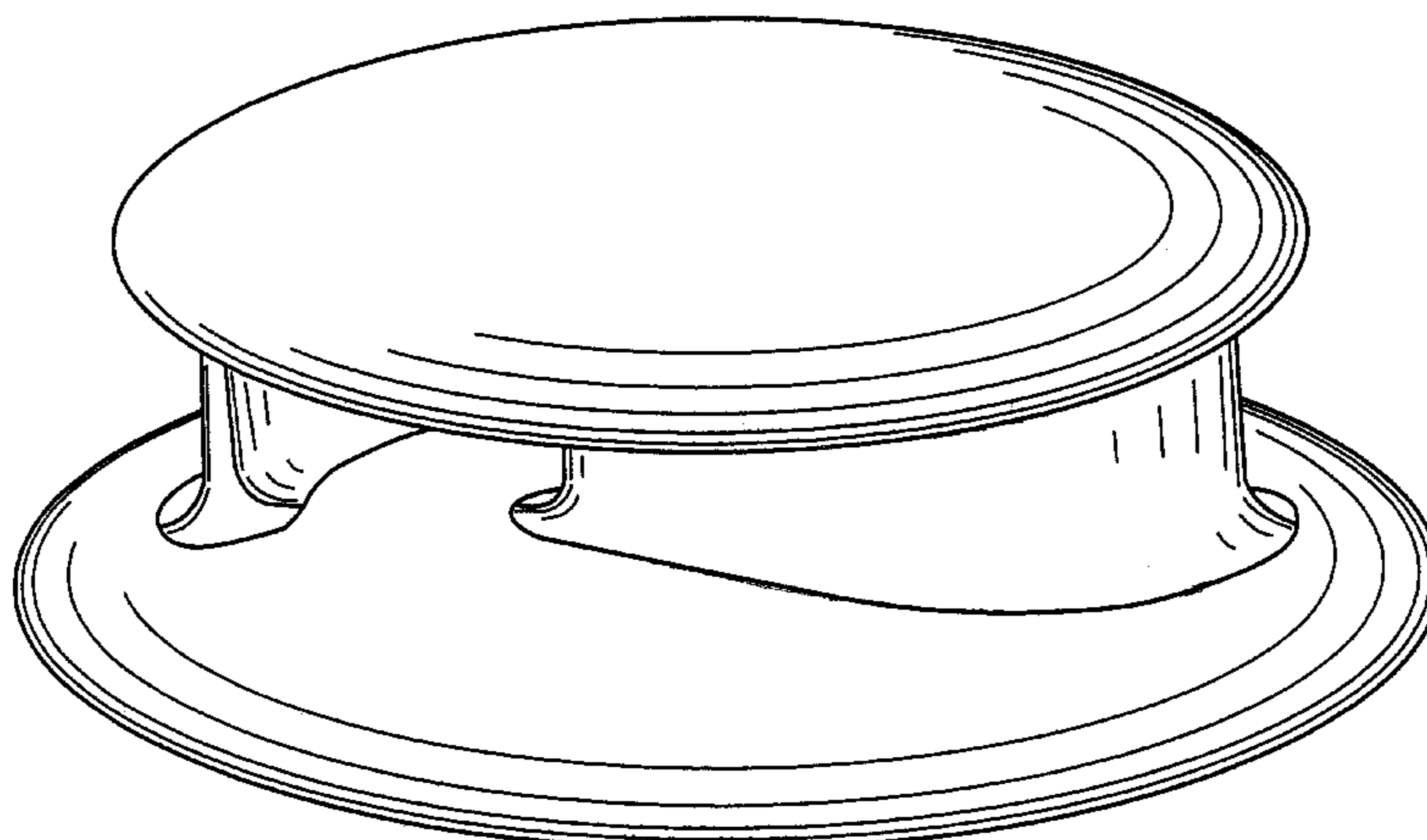
(57) **CLAIM**

We claim the ornamental design for a ventilation rotor, as shown and described.

DESCRIPTION

FIG. 1 is a top perspective view thereof;
 FIG. 2 is a bottom perspective view thereof;
 FIG. 3 is a front view thereof, the rear view thereof corresponding to the front view;
 FIG. 4 is a first side view thereof, the second side view thereof corresponding to the first side view;
 FIG. 5 is a top plan view thereof; and,
 FIG. 6 is a bottom plan view thereof.

1 Claim, 6 Drawing Sheets



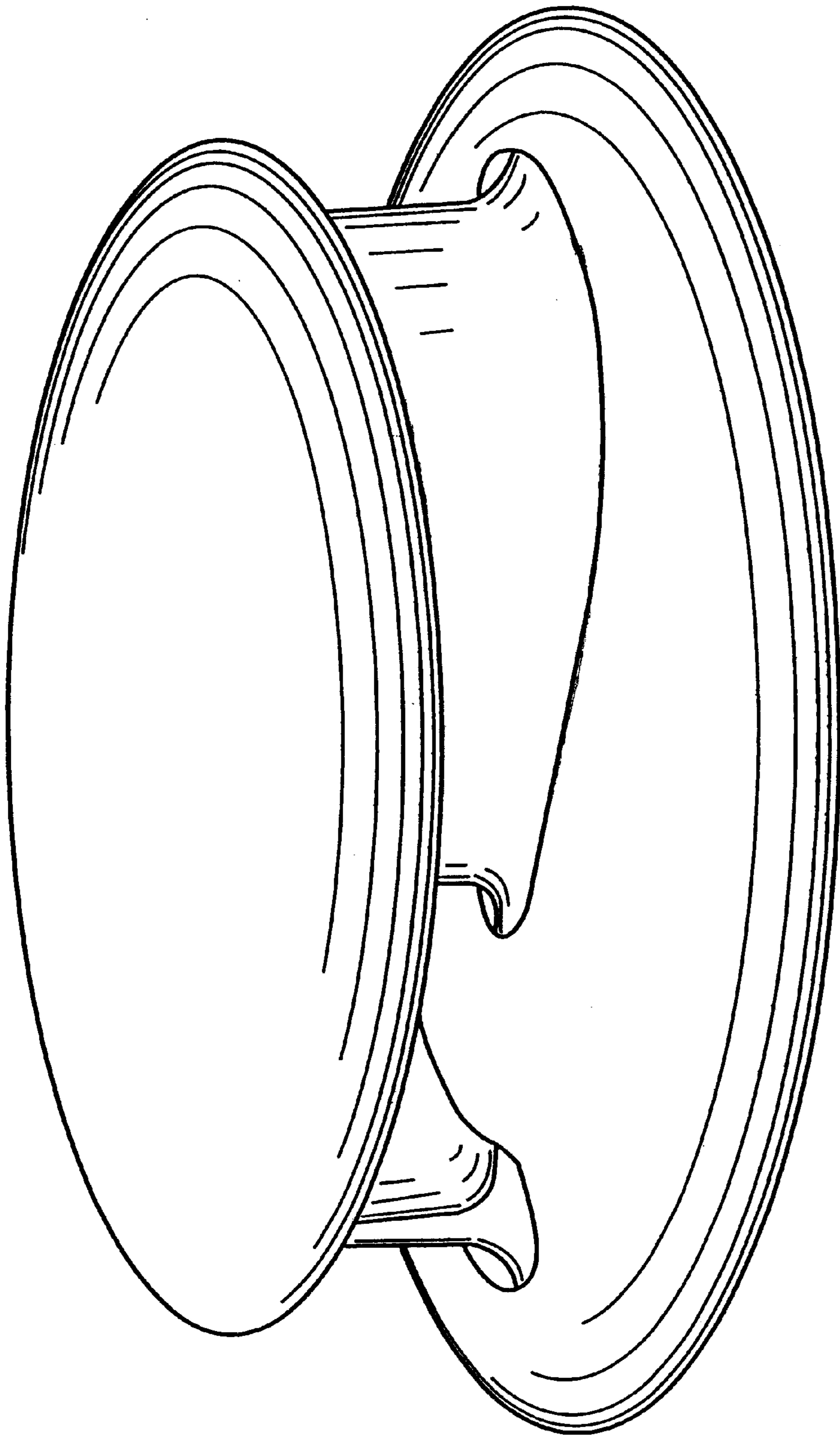


FIG. 1

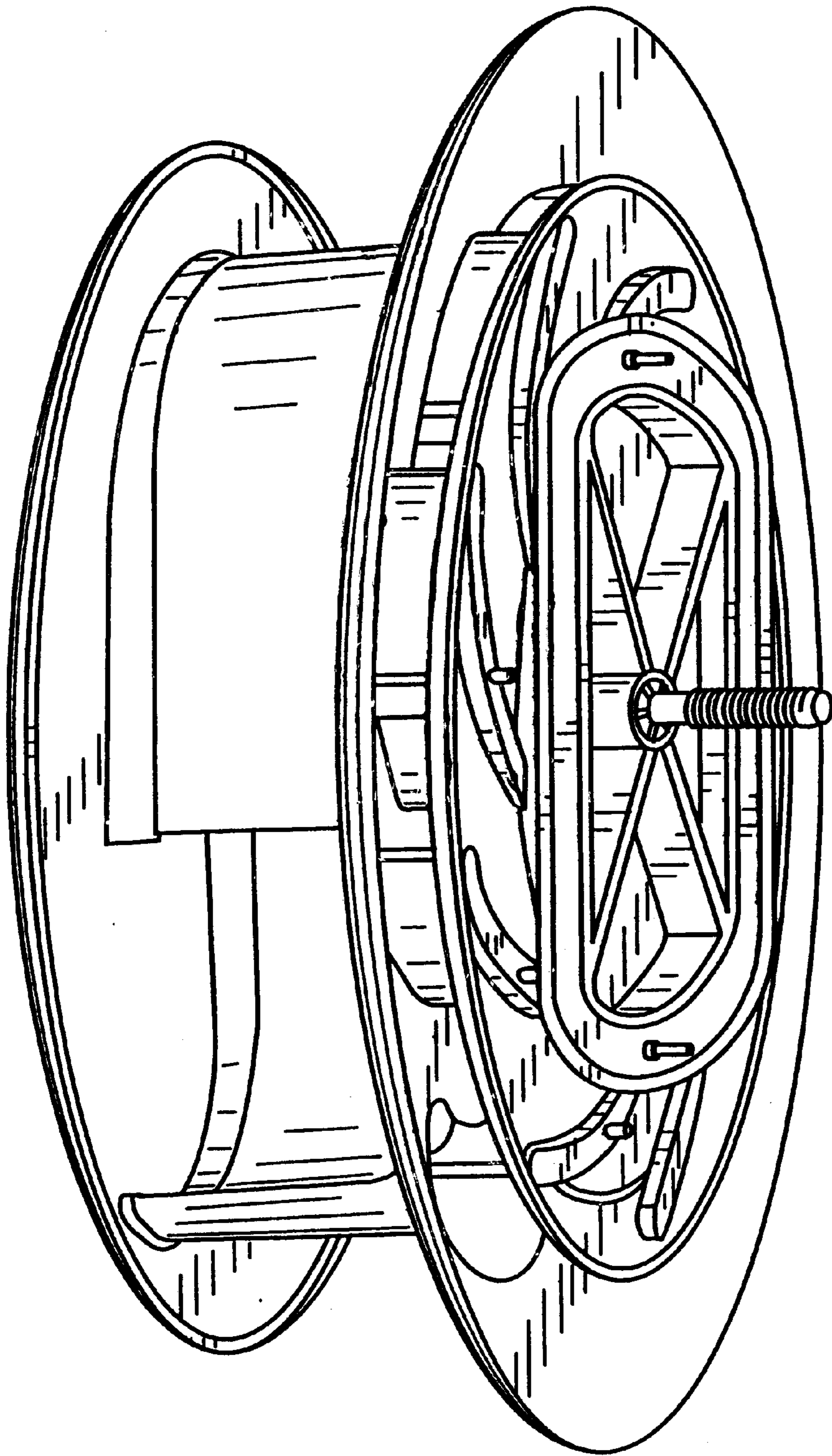


FIG. 2

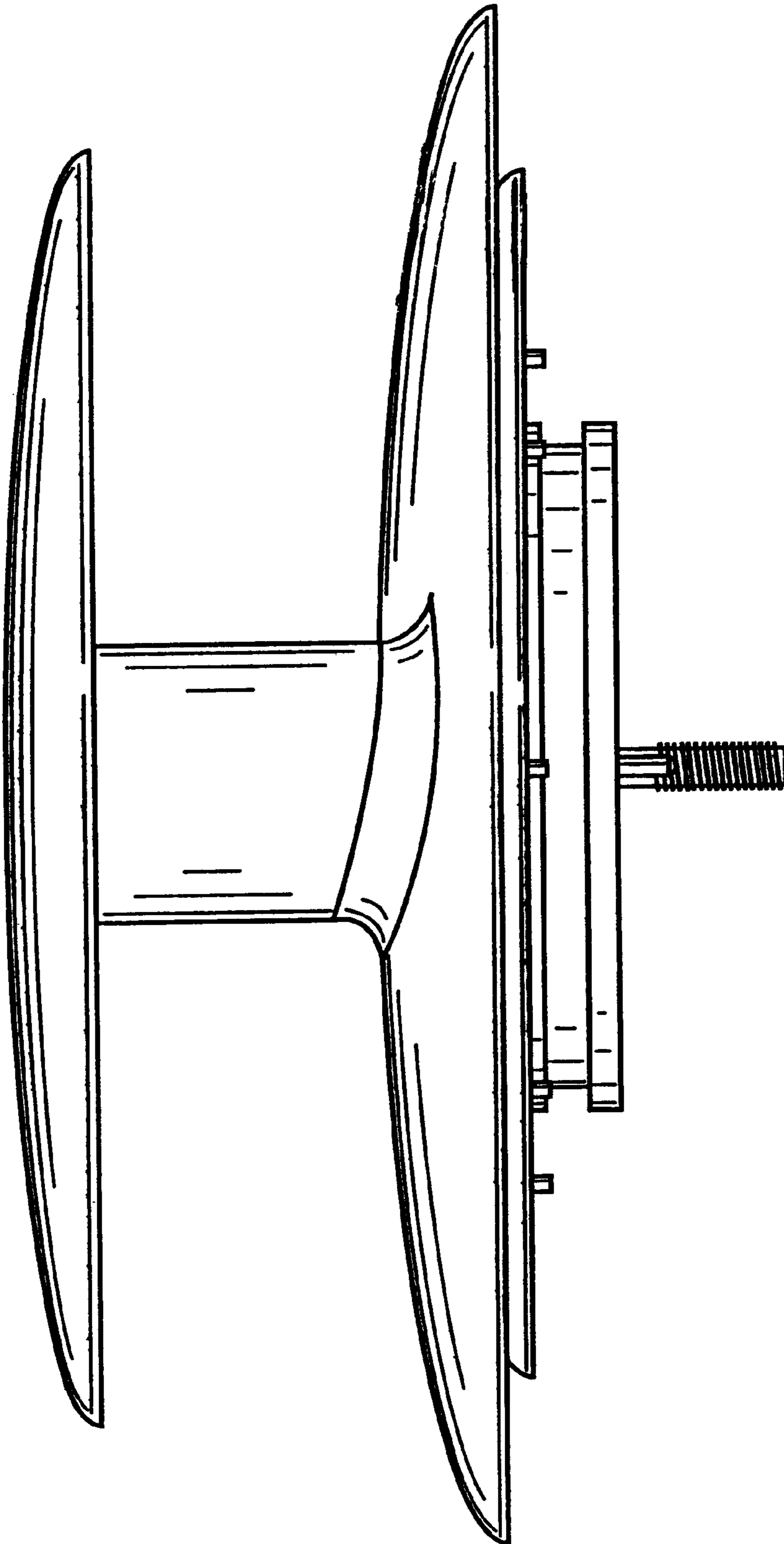


FIG. 3

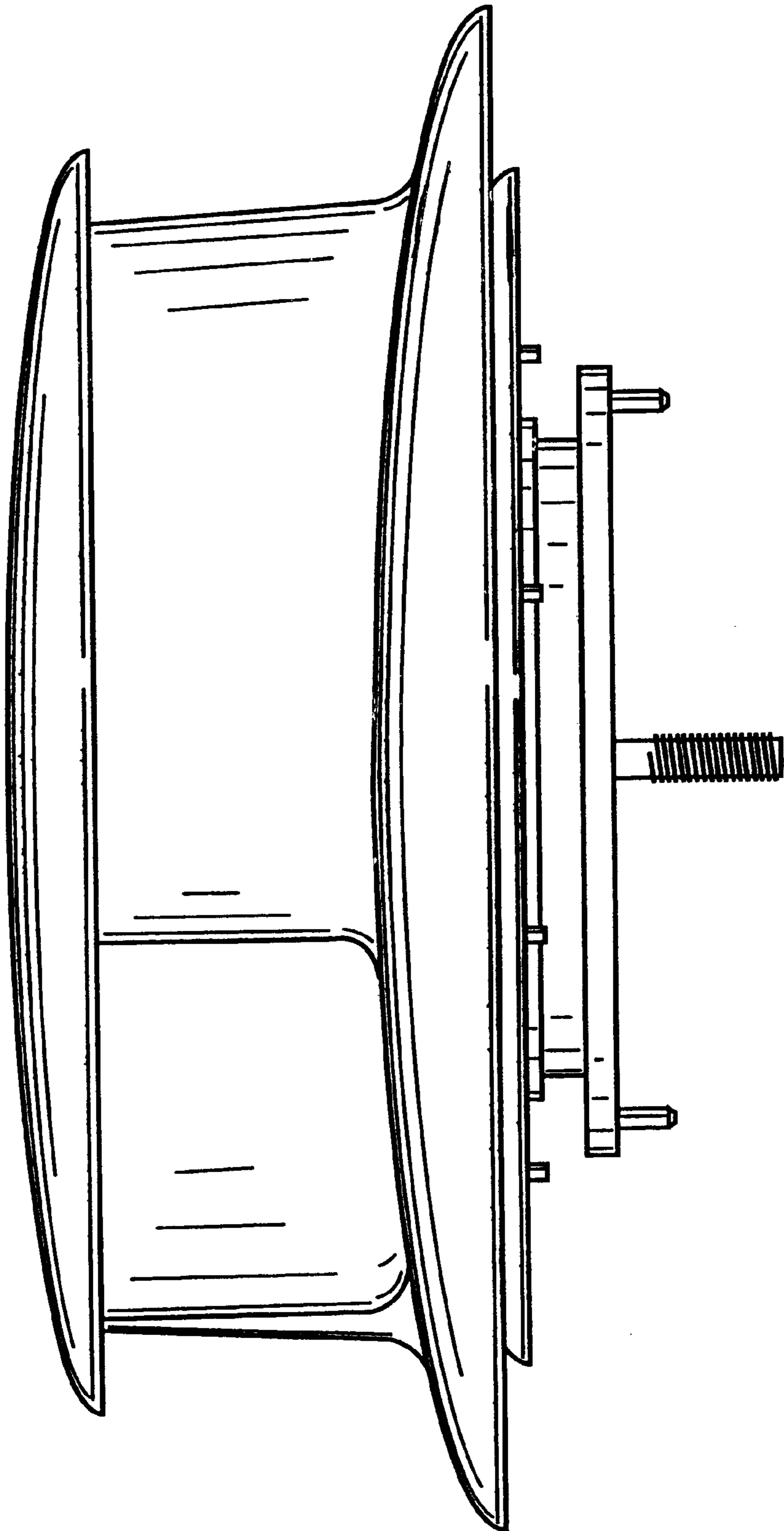


FIG. 4

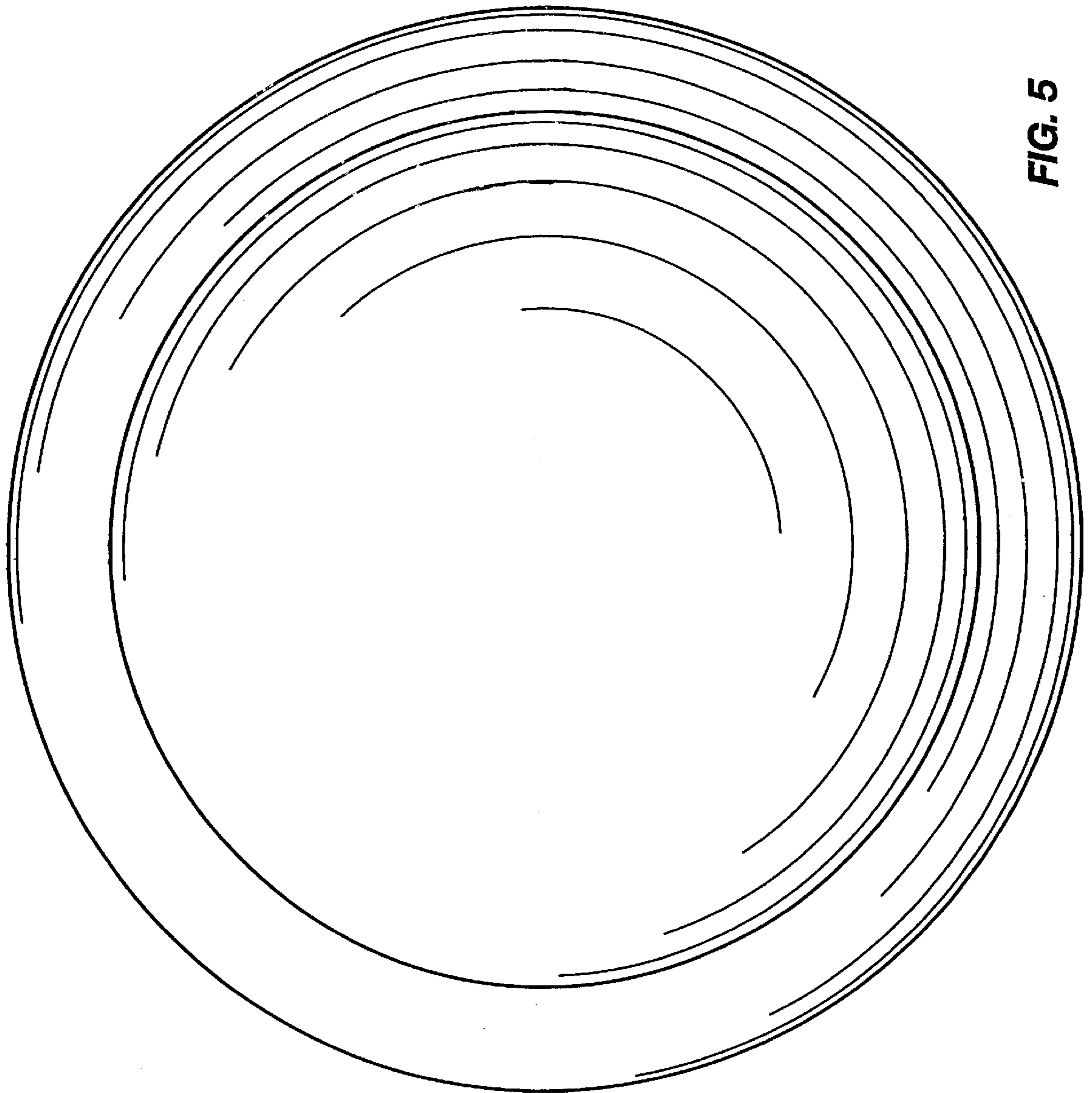


FIG. 5

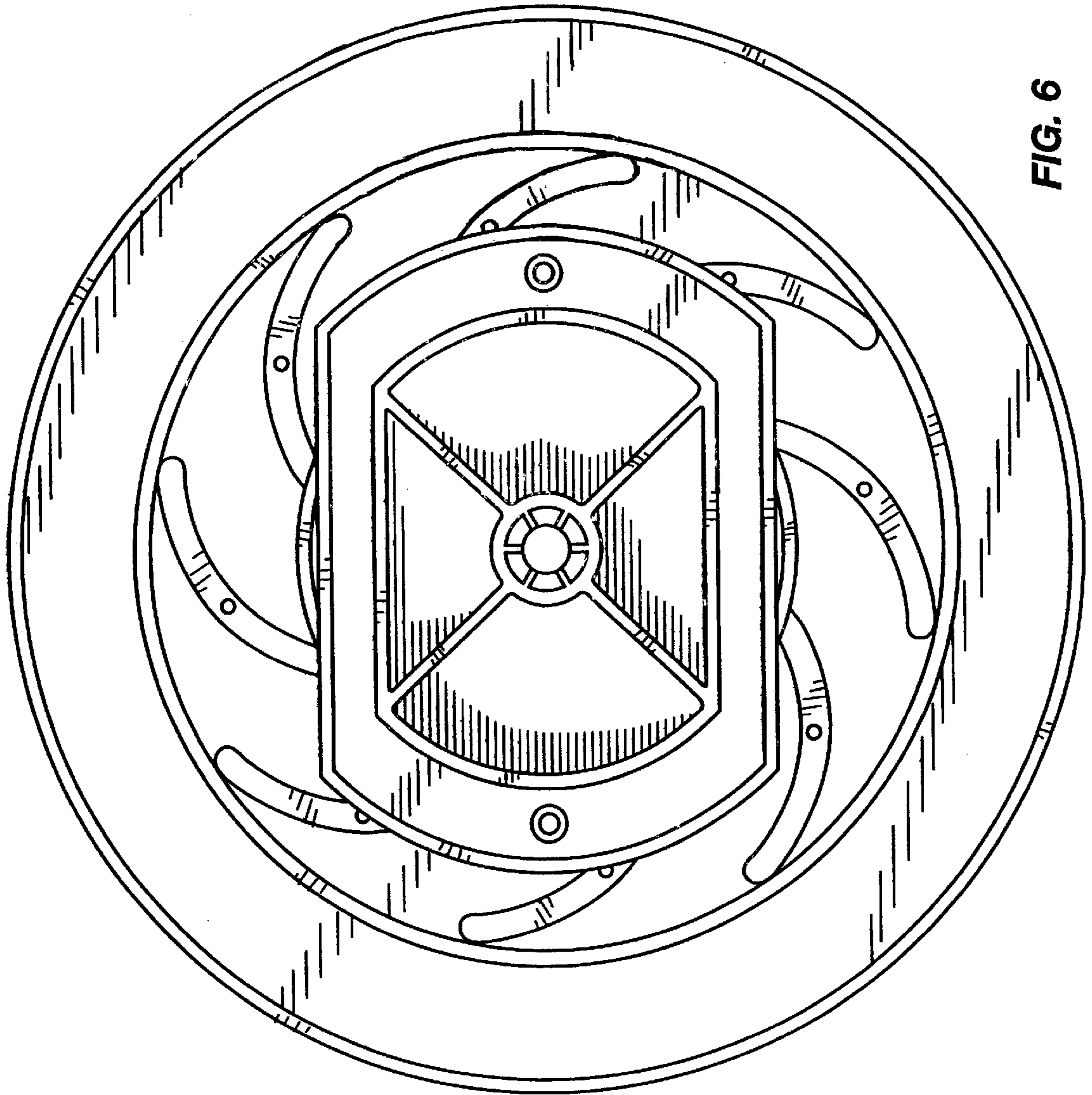


FIG. 6