



US00D471622S

(12) **United States Design Patent**
Bossler

(10) **Patent No.:** **US D471,622 S**

(45) **Date of Patent:** **** Mar. 11, 2003**

(54) **PORTABLE HEATER**

(75) Inventor: **Martin C. Bossler**, Spring Grove, IL (US)

(73) Assignee: **Uniflame Corporation**, Zion, IL (US)

(**) Term: **14 Years**

(21) Appl. No.: **29/161,574**

(22) Filed: **May 31, 2002**

(51) **LOC (7) Cl.** **23-03**

(52) **U.S. Cl.** **D23/335; D23/339; D23/342**

(58) **Field of Search** D23/328, 332, D23/336, 339, 342, 335; D26/51, 58, 59, 153, 93; D25/126; 362/92, 217, 253; 431/331, 334; 126/90 R, 93, 92 R, 92 B, 92 AC

(56) **References Cited**

U.S. PATENT DOCUMENTS

D63,321 S	*	11/1923	Pirson	
D176,082 S	*	11/1955	Puzey et al.	
D325,963 S		5/1992	Anderson	D23/342
D429,324 S		8/2000	Olson et al.	D23/342
6,192,878 B1		2/2001	Waters	126/92
D445,889 S		7/2001	Resmo et al.	D23/386

D446,290 S		8/2001	Jeng	D23/328
D447,796 S		9/2001	Resmo et al.	D23/386
D451,988 S	*	12/2001	Ashton et al.	D23/328
D455,204 S		4/2002	Bossler	D23/342
D456,498 S	*	4/2002	Jeng	D23/328
6,397,835 B1	*	6/2002	Liang	126/92 B

* cited by examiner

Primary Examiner—B. J. Bullock

(74) *Attorney, Agent, or Firm*—Greer, Burns & Crain, Ltd.

(57) **CLAIM**

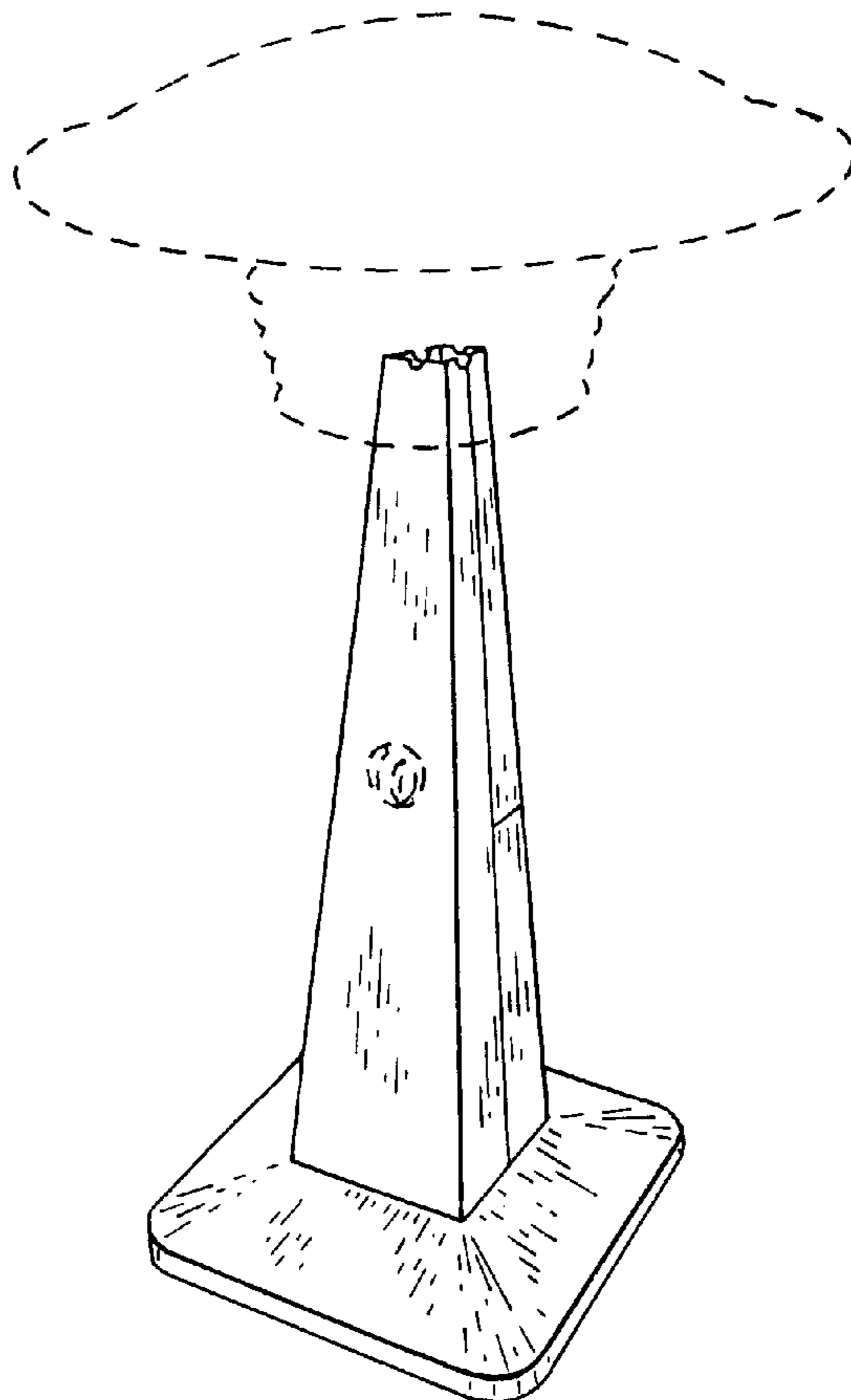
The ornamental design for a portable heater, as shown and described.

DESCRIPTION

FIG. 1 is a front perspective view of the patio heater of the present invention;
 FIG. 2 is a front view thereof;
 FIG. 3 is a right side view thereof;
 FIG. 4 is a left side view thereof;
 FIG. 5 is a rear view thereof;
 FIG. 6 is a top view thereof; and,
 FIG. 7 is a bottom view thereof.

The broken lines are for illustrative purposes only and form no part of the claimed design.

1 Claim, 2 Drawing Sheets



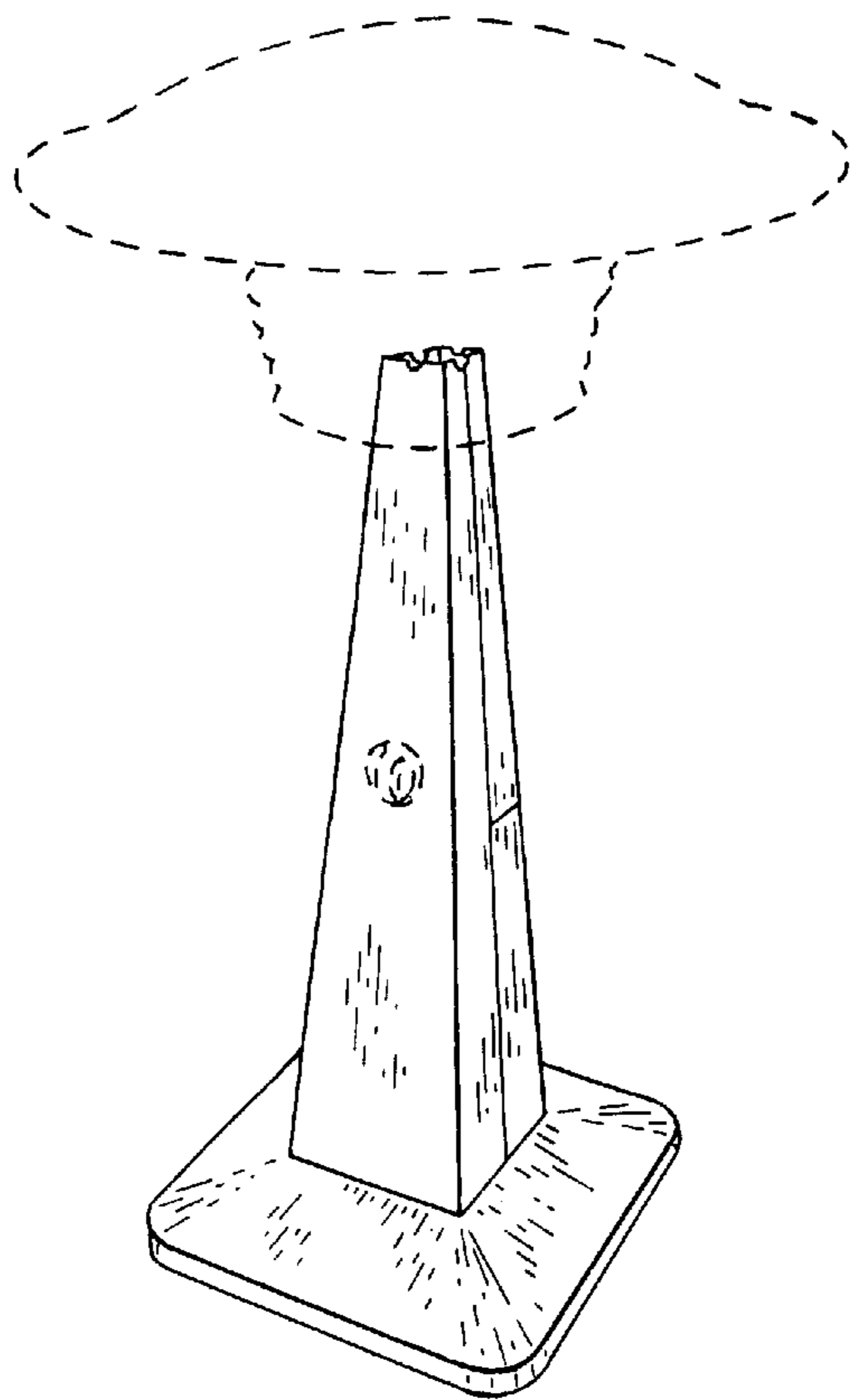


Fig.1

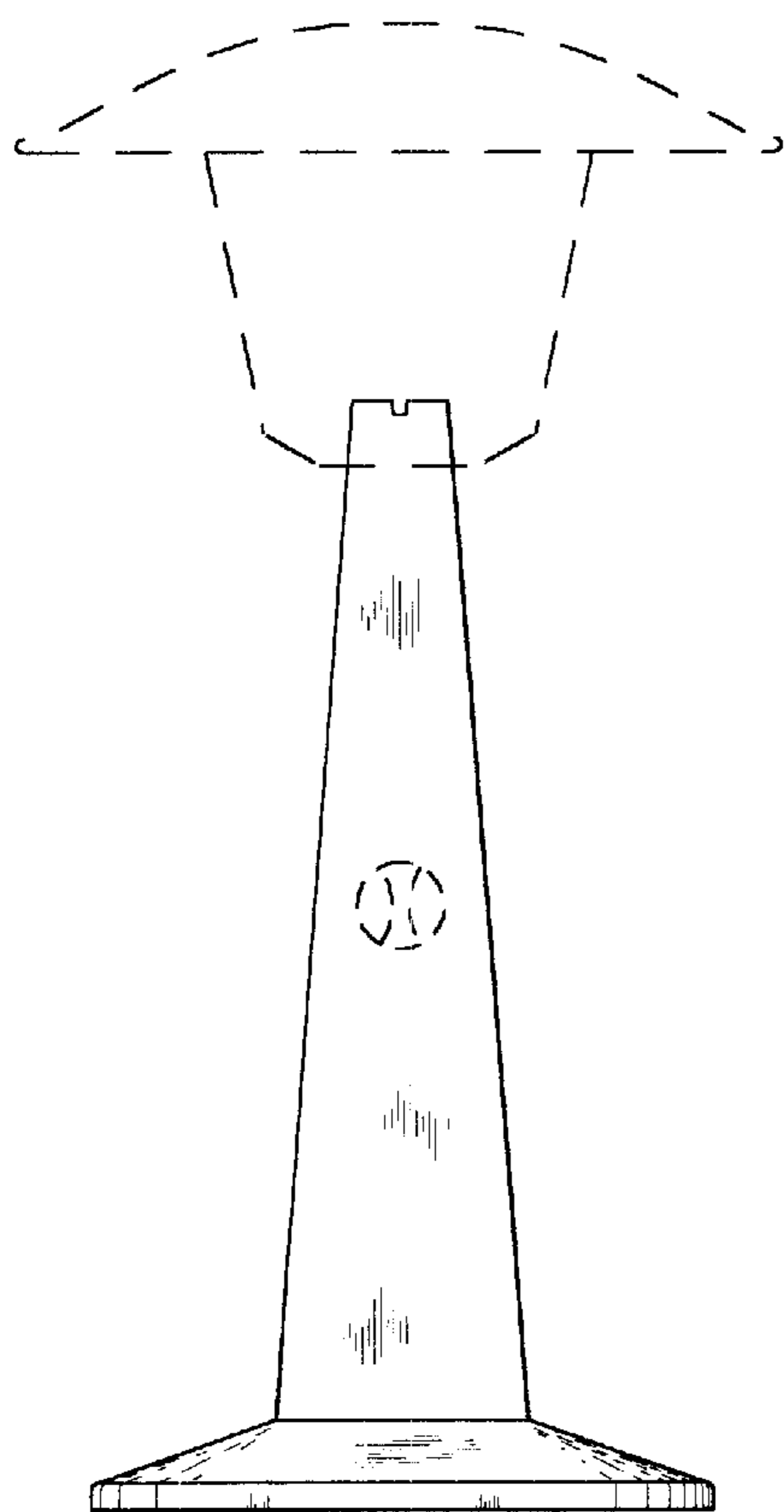


Fig.2

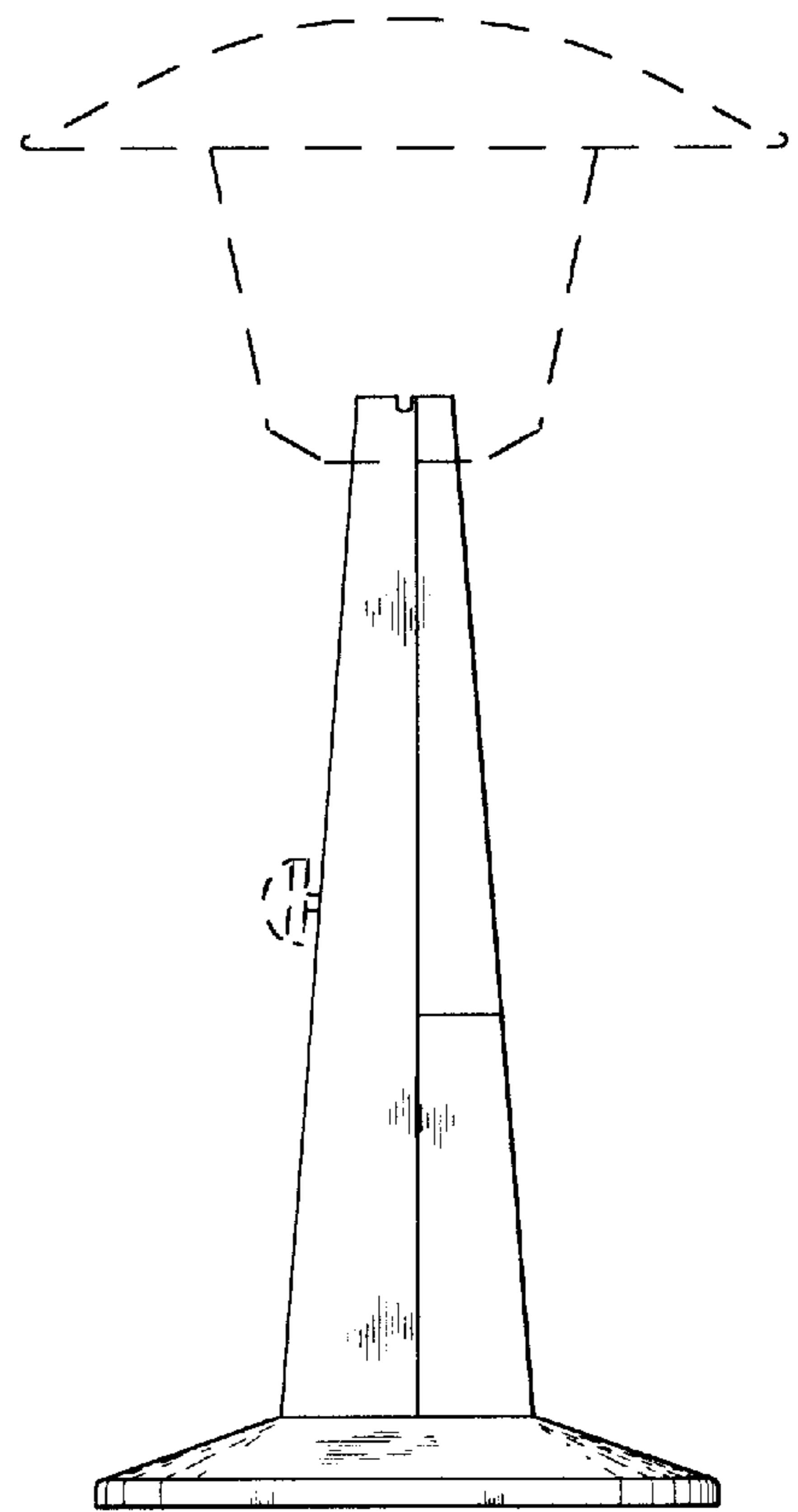


Fig.3

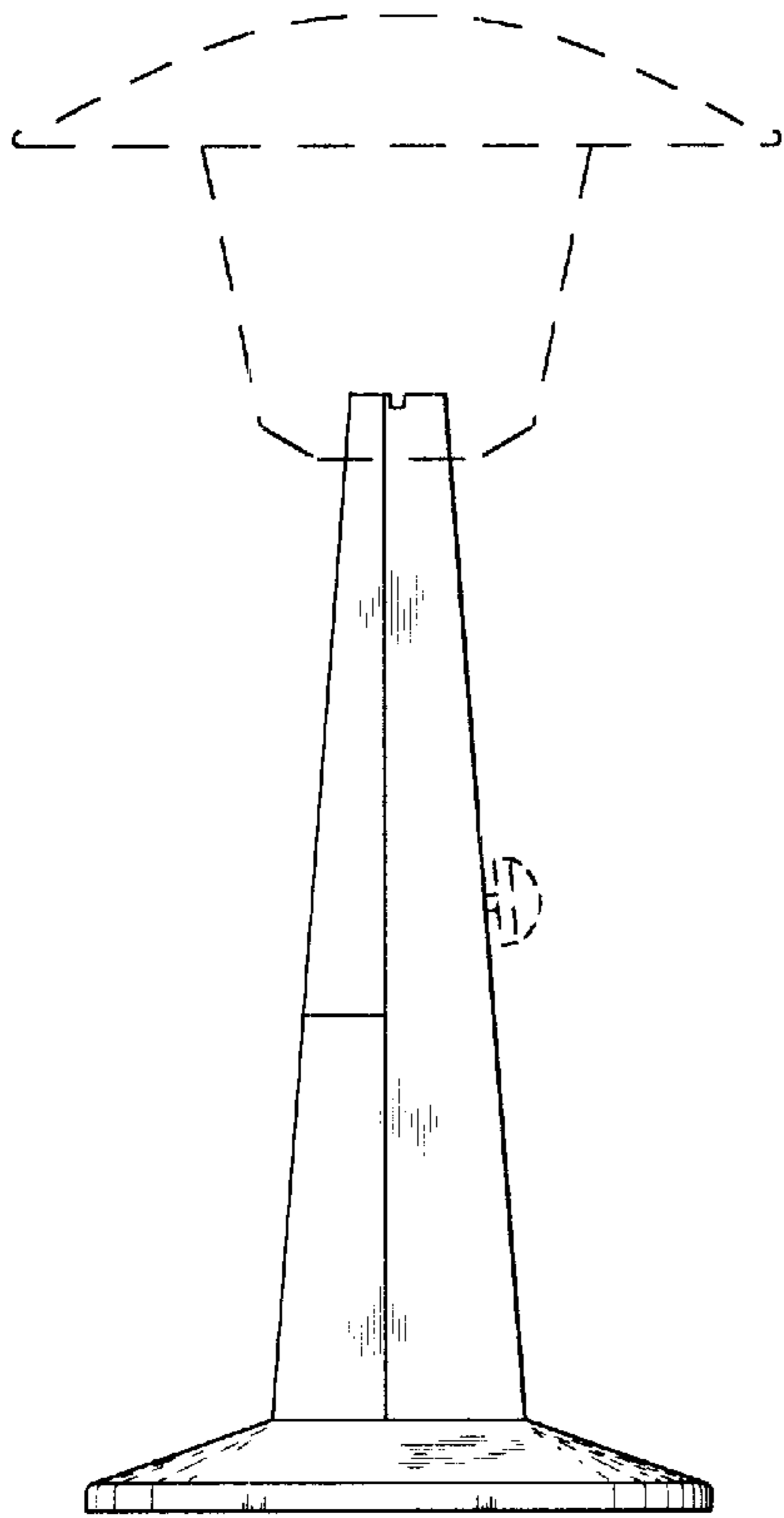


Fig. 4

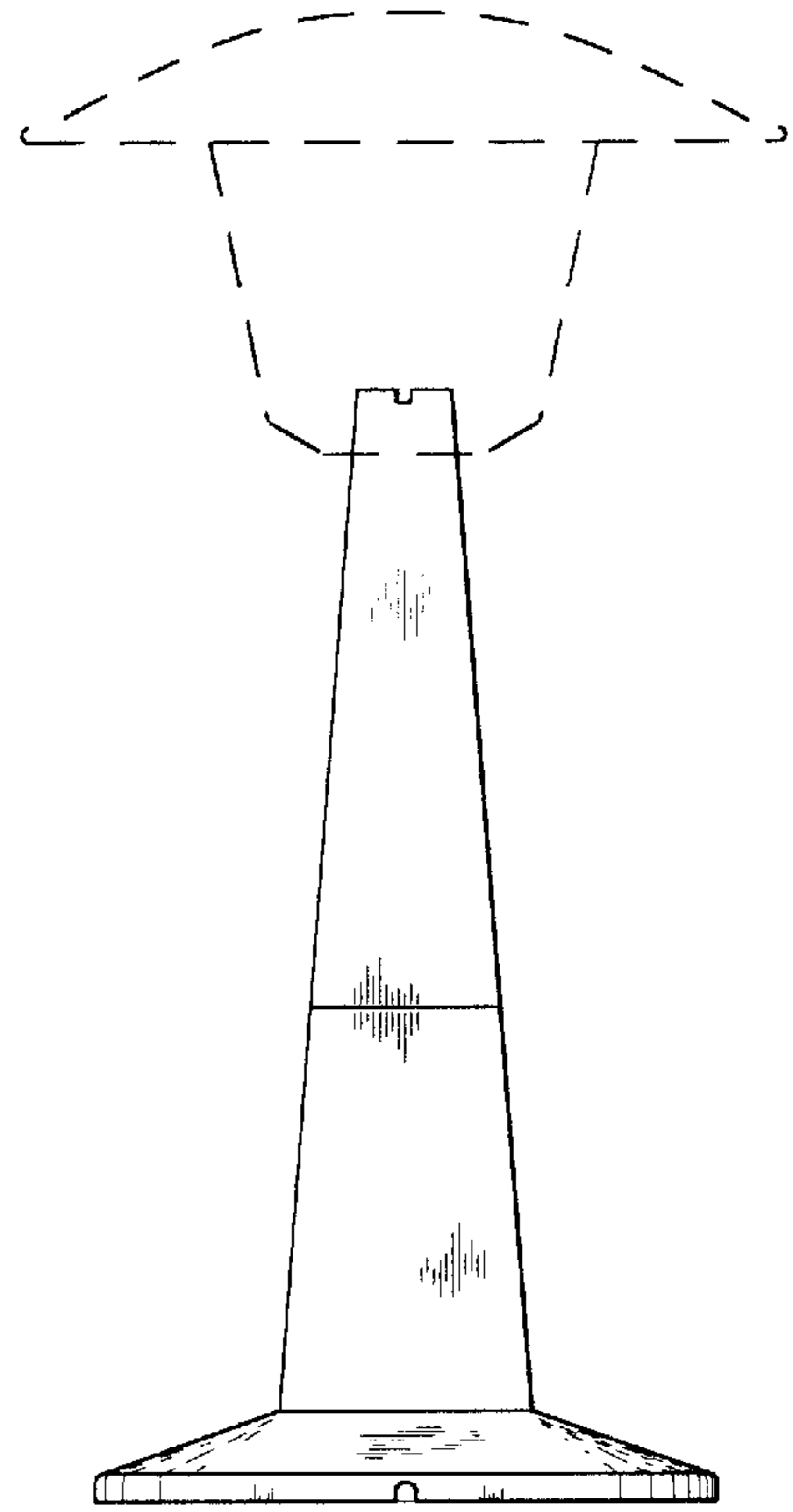


Fig. 5

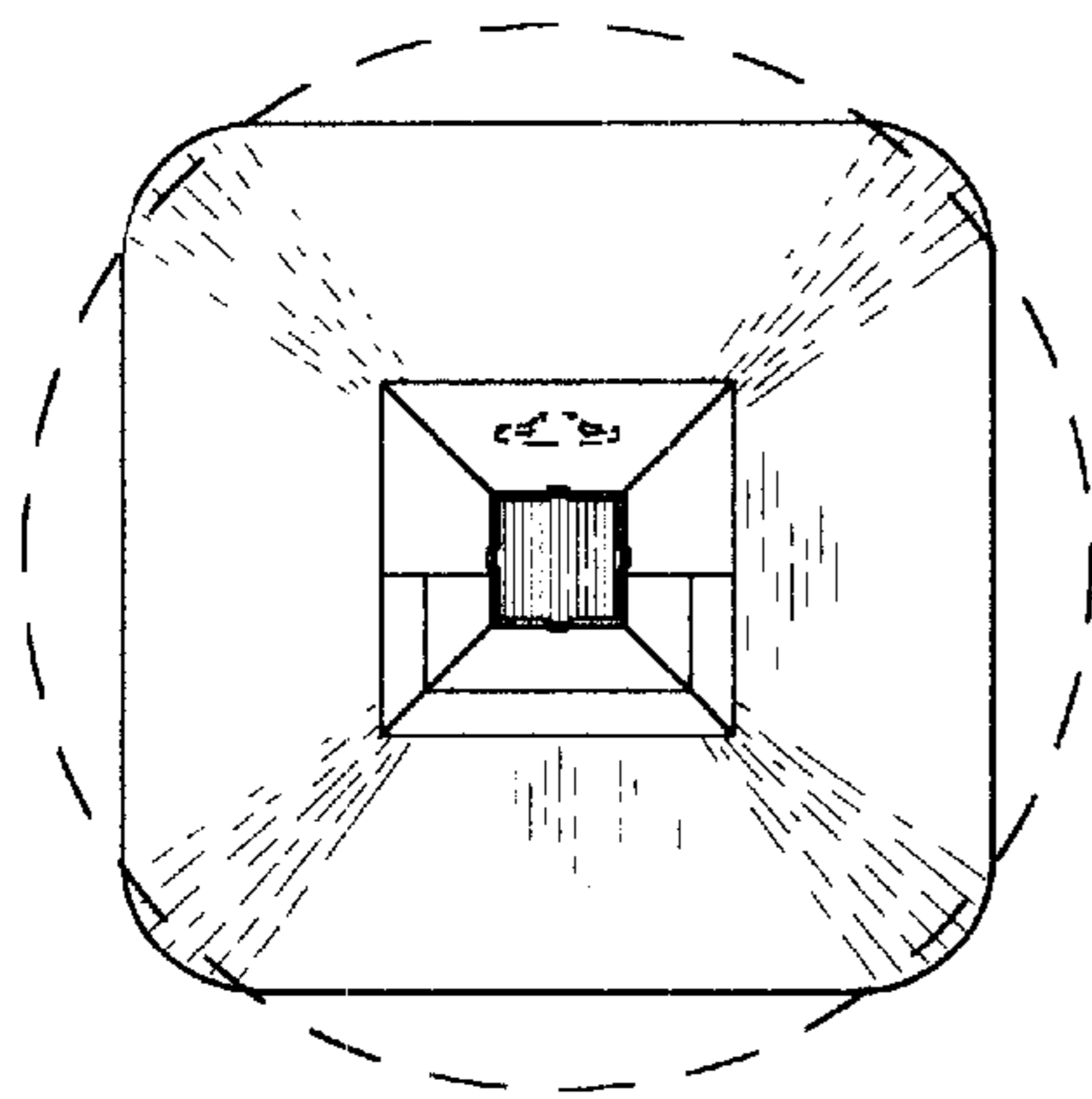


Fig. 6

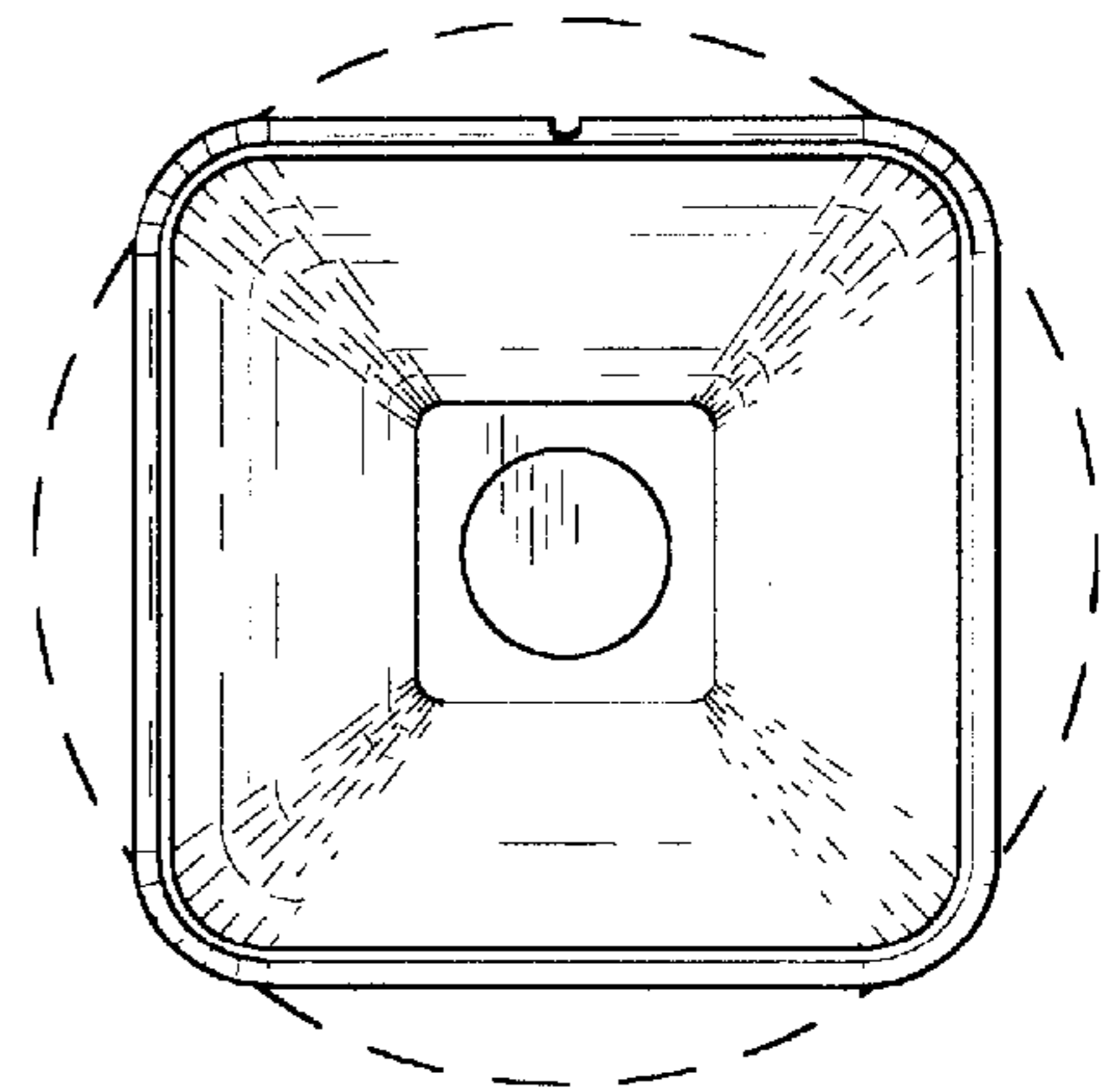


Fig. 7