



US00D471621S

(12) **United States Design Patent**
Bennie

(10) **Patent No.:** **US D471,621 S**

(45) **Date of Patent:** **** Mar. 11, 2003**

(54) **TANK FOR WATER CLOSET**

(75) Inventor: **William B. Bennie**, Sheboygan, WI (US)

(73) Assignee: **Kohler Co.**, Kohler, WI (US)

(**) Term: **14 Years**

(21) Appl. No.: **29/156,826**

(22) Filed: **Mar. 8, 2002**

(51) **LOC (7) Cl.** **23-02**

(52) **U.S. Cl.** **D23/313**

(58) **Field of Search** D23/270–271,
D23/273–274, 295–301, 303, 309, 313;
4/663–664, 667, 300, 329, 353–354, DIG. 11,
DIG. 15

(56) **References Cited**

U.S. PATENT DOCUMENTS

D387,858 S	12/1997	McKeone	D23/301
D415,563 S	10/1999	McKeone	D23/301
D441,437 S	* 5/2001	McKeone	D23/301

OTHER PUBLICATIONS

Undated Allia catalog showing an “Optima” toilet.
June 2001 Kohler catalog ad, p. 15.8, showing a “Kathryn-”toilet.

* cited by examiner

Primary Examiner—Louis S. Zarfes

Assistant Examiner—Robert A. Delehanty

(74) *Attorney, Agent, or Firm*—Quarles & Brady LLP

(57) **CLAIM**

The ornamental design for a tank for water closet, as shown and described.

DESCRIPTION

In a preferred embodiment, the nature of this product is as a plumbing fixture primarily useful as a reservoir for supplying water to a toilet bowl.

FIG. 1 is a left, top, front perspective view of a tank for water closet embodying my new design;

FIG. 2 is a front elevational view thereof;

FIG. 3 is a top plan view thereof;

FIG. 4 is a left side elevational view thereof;

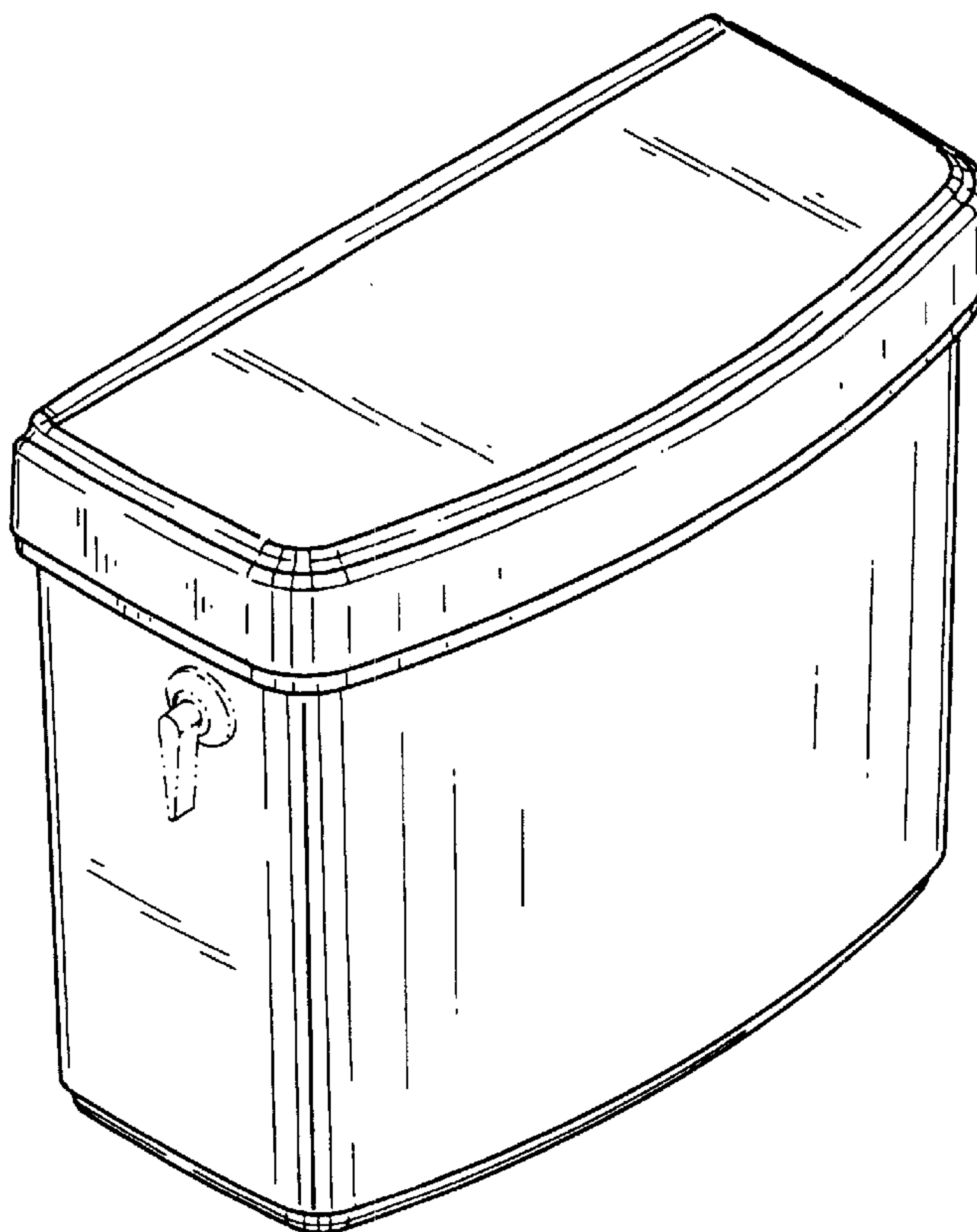
FIG. 5 is a right side elevational view thereof;

FIG. 6 is a bottom plan view thereof; and,

FIG. 7 is a rear elevational view thereof.

The broken line representations of a trip lever in FIGS. 1–4 and 6–7, and of holes in FIG. 6, are for the purpose of illustration only, and form no part of the claimed design.

1 Claim, 3 Drawing Sheets



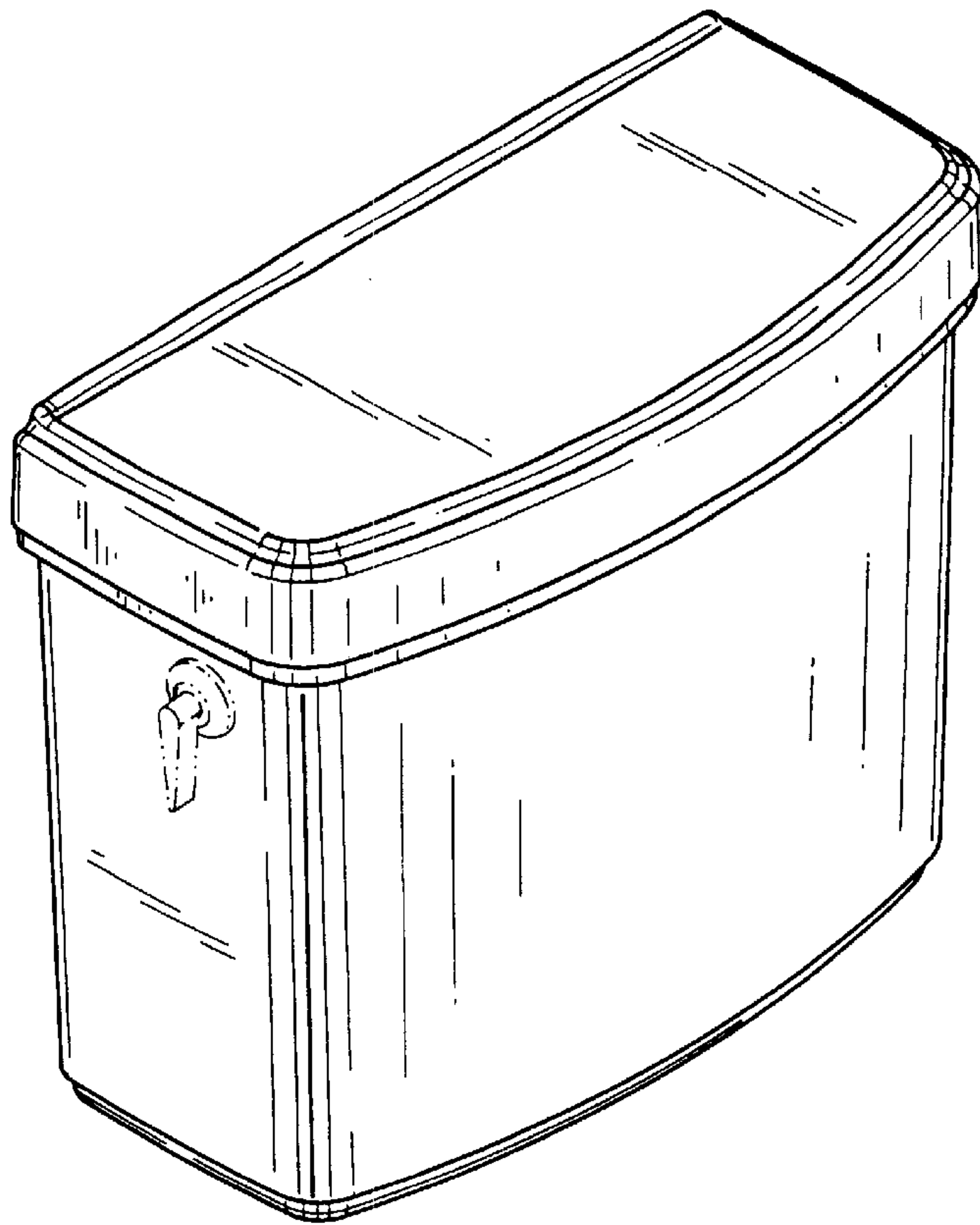


FIG. 1

FIG. 2

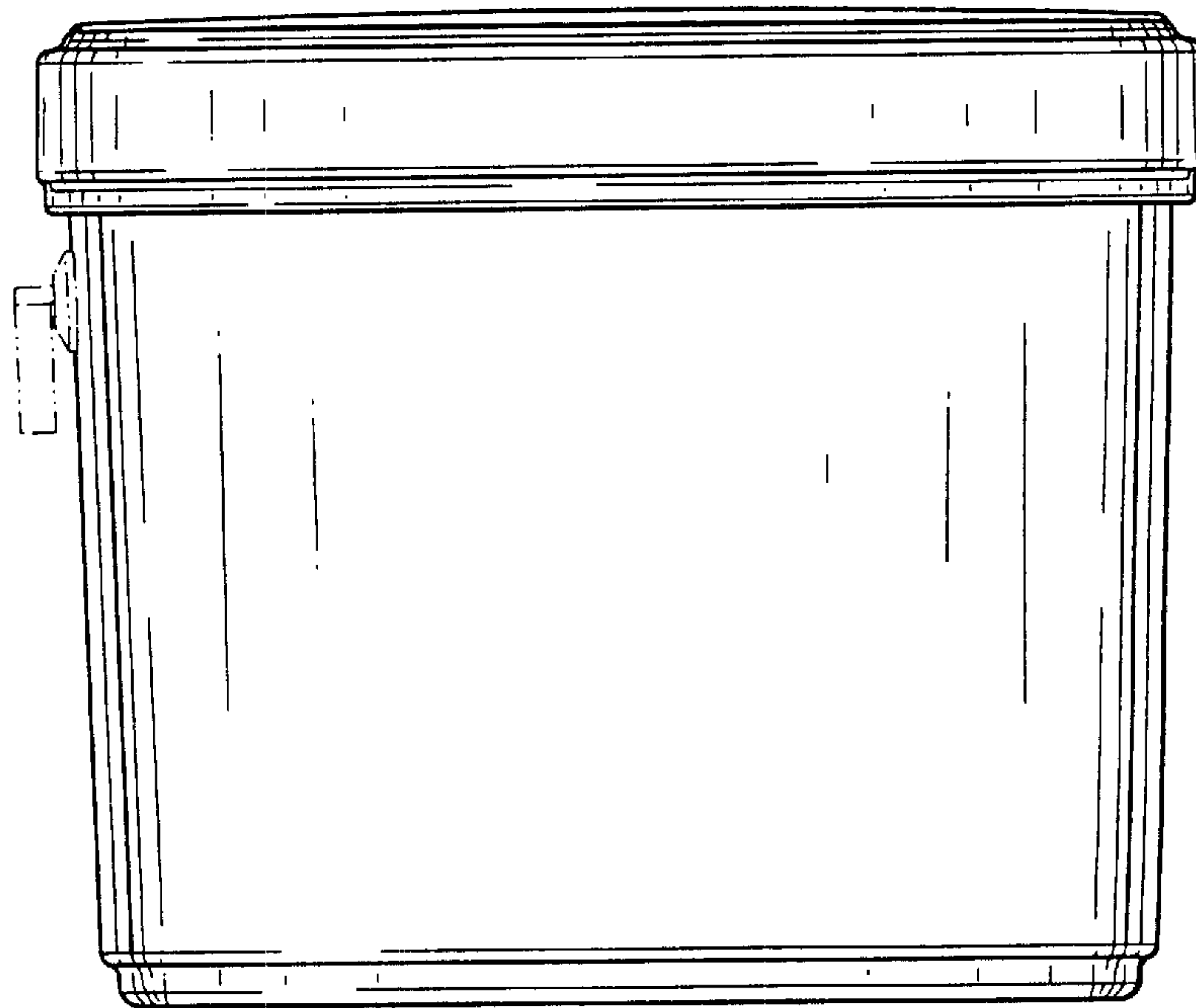


FIG. 3

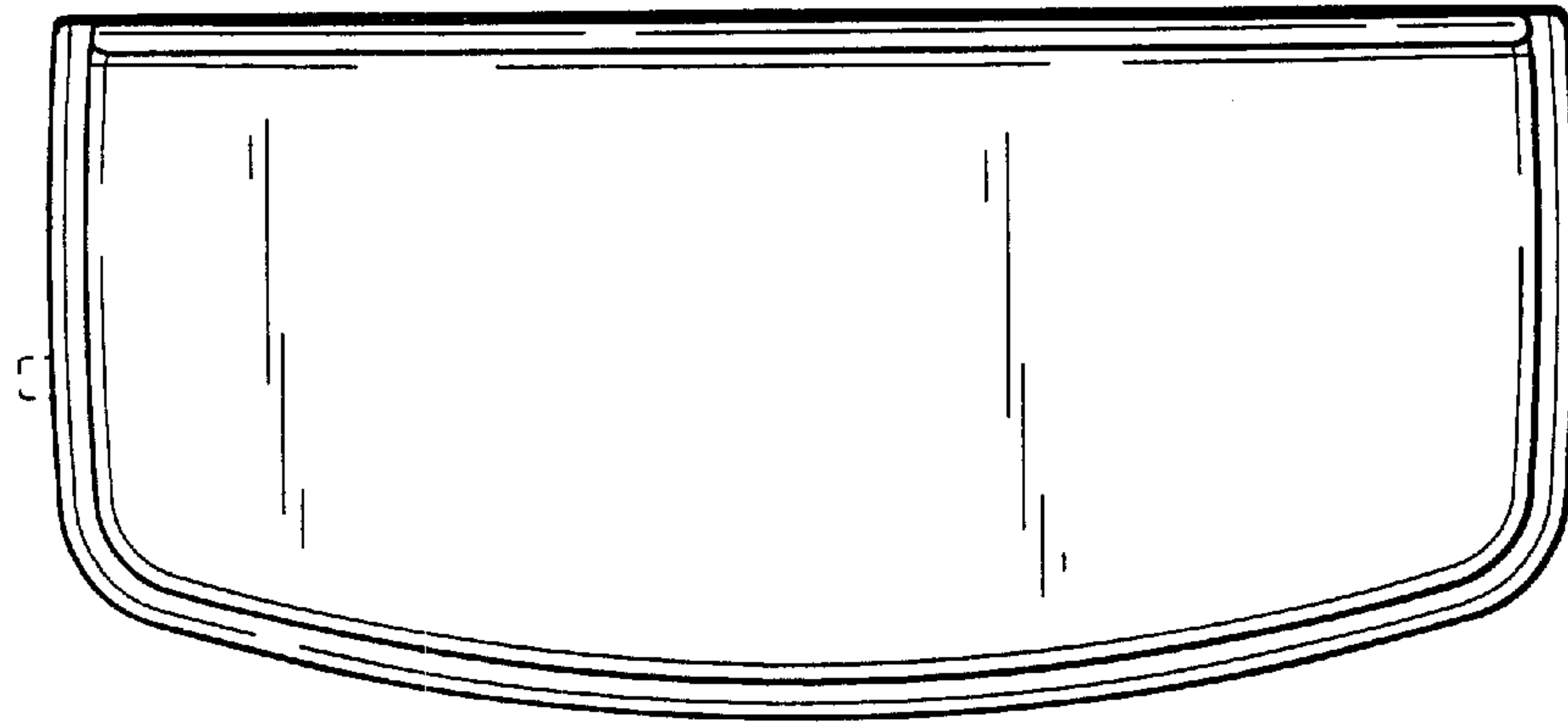


FIG. 4

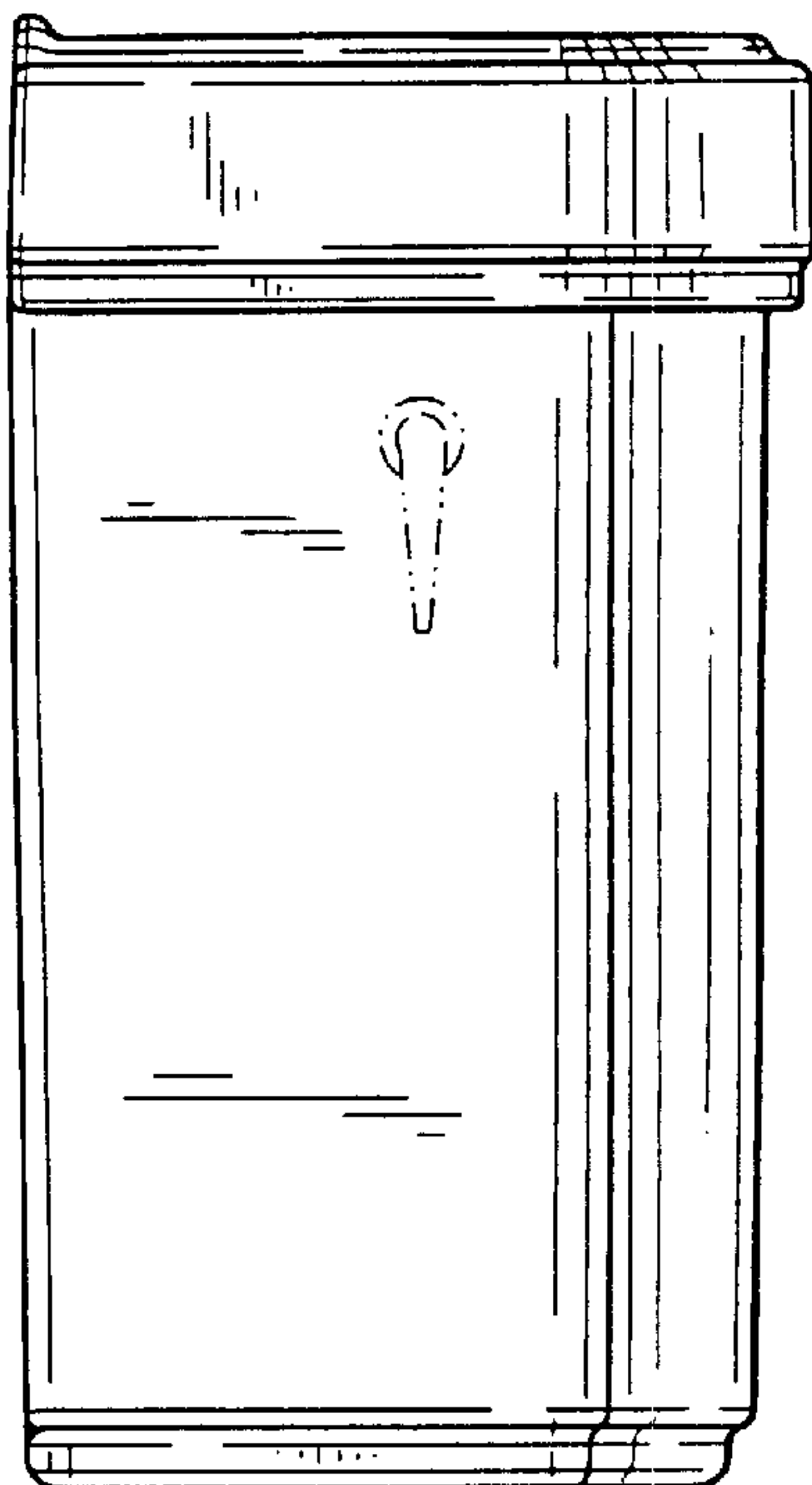


FIG. 5

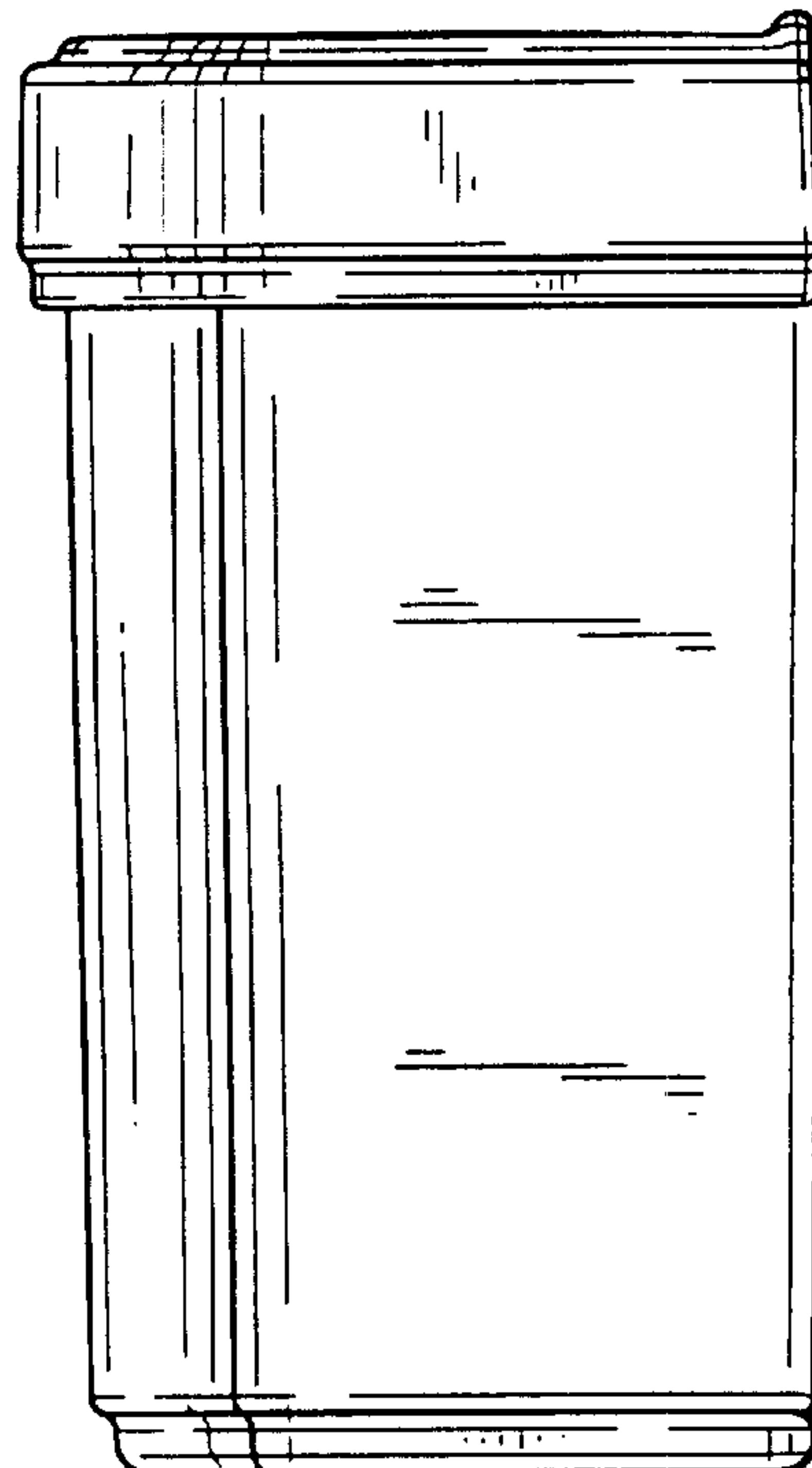


FIG. 6

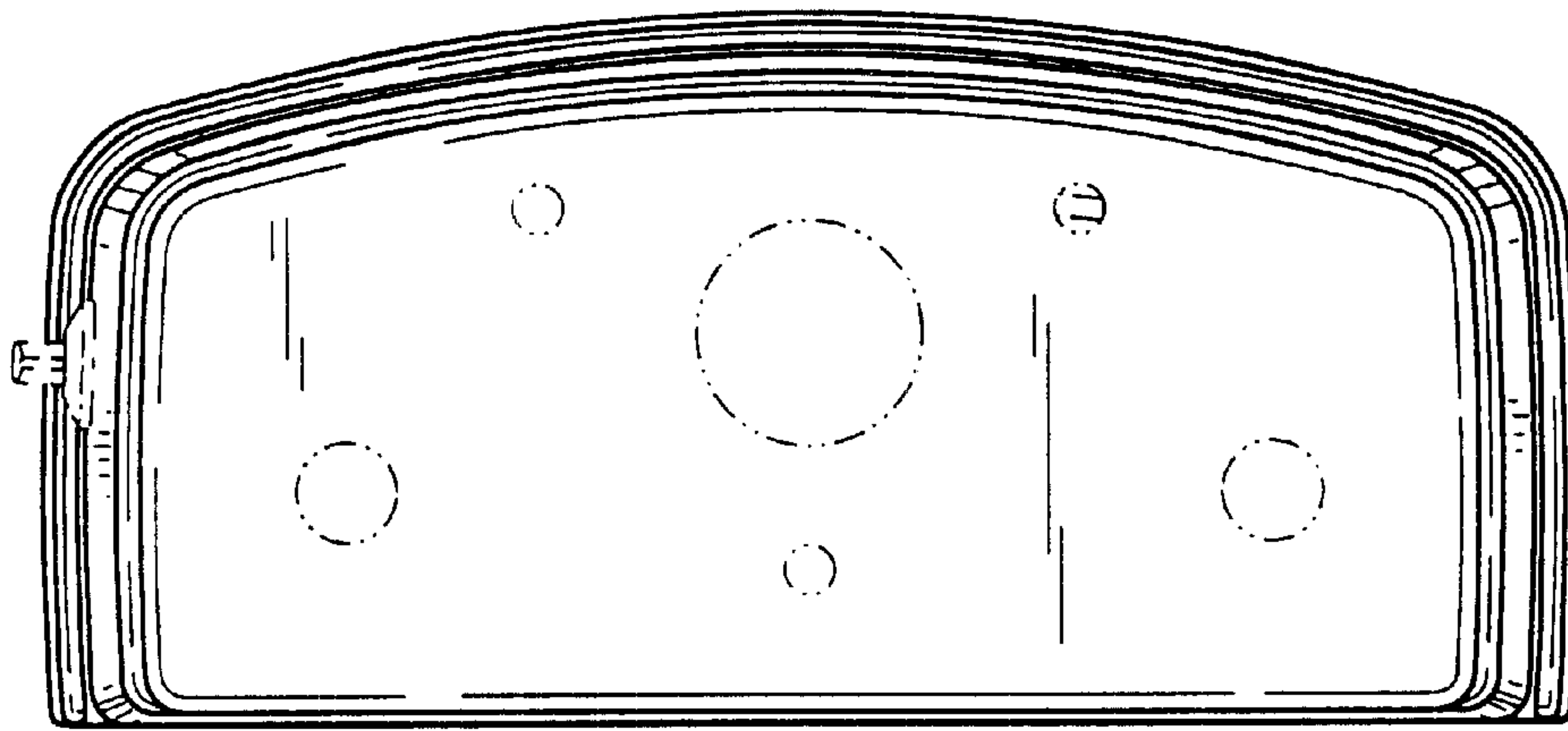


FIG. 7

