



US00D471620S

(12) **United States Design Patent**  
**Zhao**

(10) **Patent No.:** **US D471,620 S**

(45) **Date of Patent:** **\*\* Mar. 11, 2003**

(54) **SINGLE FAUCET HANDLE**

(75) Inventor: **Weidong Zhao**, Xiamen (CN)

(73) Assignee: **Xiamen Lota International Co., Ltd.**,  
Xiamen (CN)

(\*\*) Term: **14 Years**

(21) Appl. No.: **29/164,436**

(22) Filed: **Jul. 24, 2002**

(51) **LOC (7) Cl.** ..... **23-01**

(52) **U.S. Cl.** ..... **D23/252**

(58) **Field of Search** ..... D23/238-243,  
D23/245, 250-257; D8/300-322, 350-353,  
DIG. 3; 16/110.1; 4/675-678; 137/801

(56) **References Cited**

**U.S. PATENT DOCUMENTS**

D371,826 S	*	7/1996	Robbins	.....	D23/252
D409,289 S	*	5/1999	Hyde et al.	.....	D23/252
D460,158 S	*	7/2002	Green et al.	.....	D23/252
D465,265 S	*	11/2002	Czerwinski, Jr. et al.	..	D23/238

**OTHER PUBLICATIONS**

Price Pfister Marielle Single Faucet Handle from a Price Pfister brochure, date unknown, Admitted Prior Art.

Delta Victorian Single Faucet Handle from a delta brochure, date unknown, Admitted Prior Art.

\* cited by examiner

*Primary Examiner*—Louis S. Zarfes

(74) *Attorney, Agent, or Firm*—Wallenstein & Wagner, Ltd.

(57) **CLAIM**

I claim the ornamental design for a single faucet handle, shown and described.

**DESCRIPTION**

FIG. 1 is a perspective view of the single faucet handle of the invention;

FIG. 2 is a front view of the single faucet handle of FIG. 1;

FIG. 3 is a left side view of the single faucet handle of FIG. 1;

FIG. 4 is a rear view of the single faucet handle of FIG. 1;

FIG. 5 is a right side view of the single faucet handle of FIG. 1;

FIG. 6 is a top view of the single faucet handle of FIG. 1; and,

FIG. 7 is a bottom view of the single faucet handle of FIG. 1.

The broken lines in the Figures are for illustrative purposes only and form no part of the claimed design.

**1 Claim, 4 Drawing Sheets**

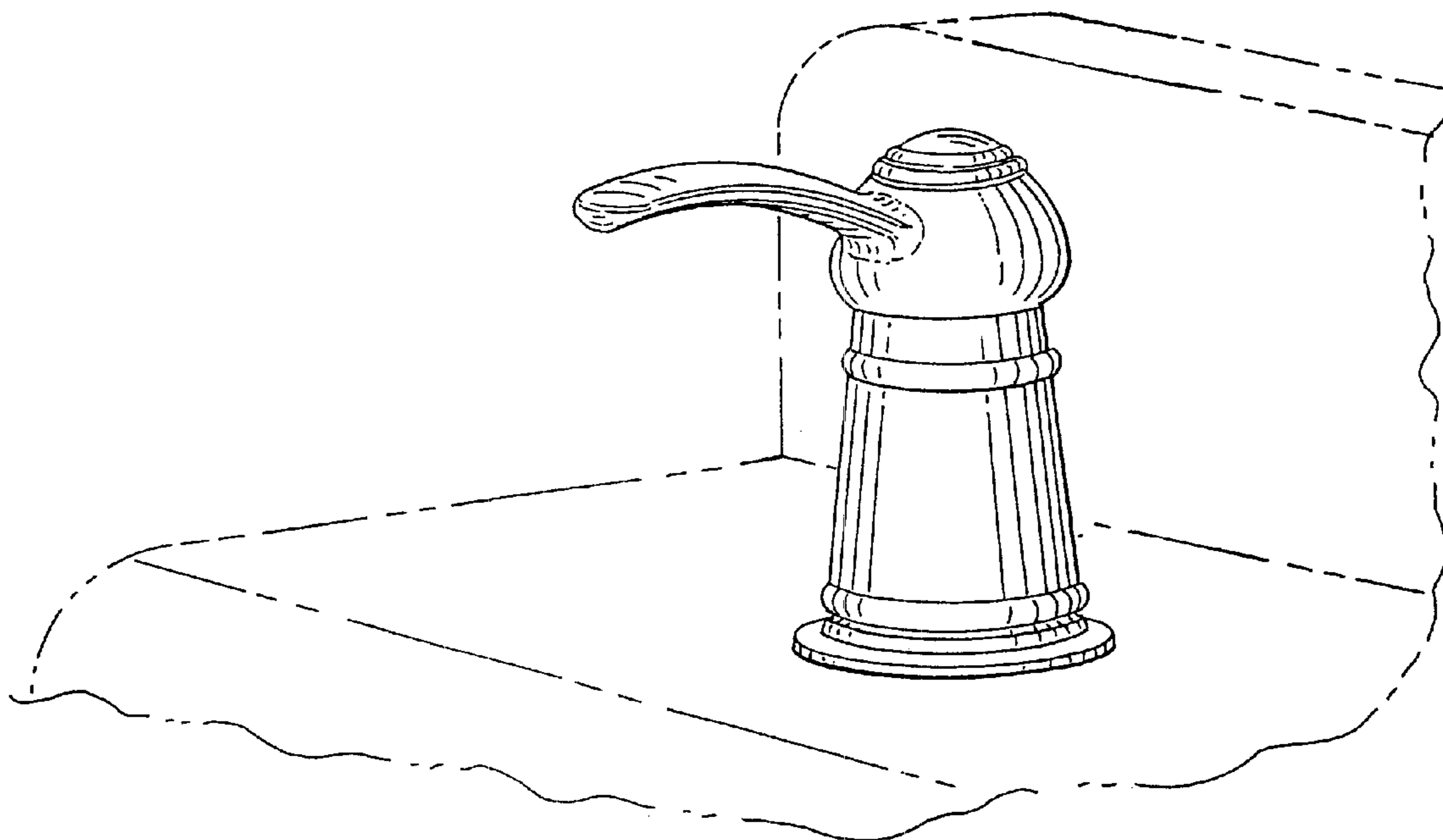


FIG. 1

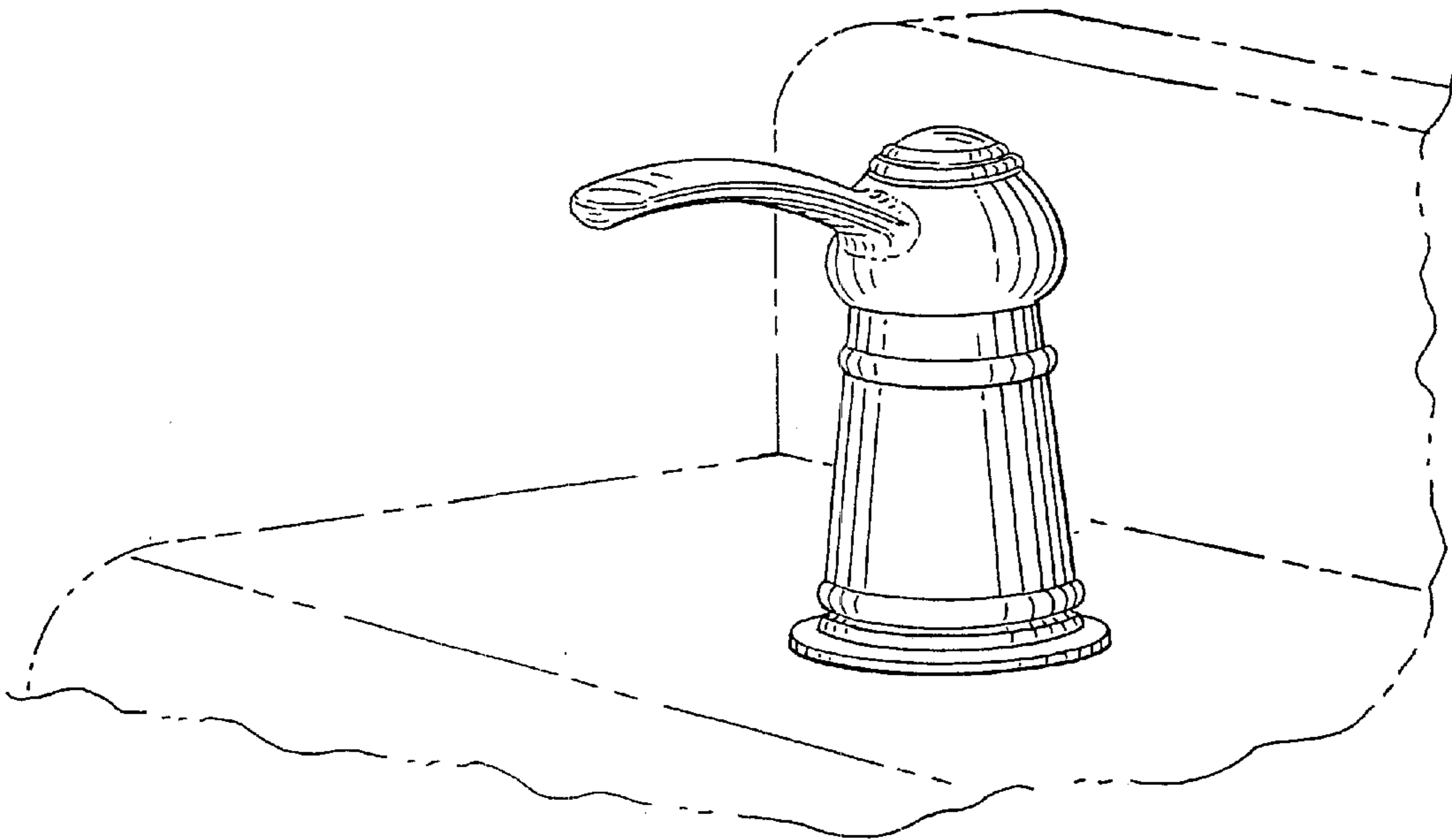


FIG.3

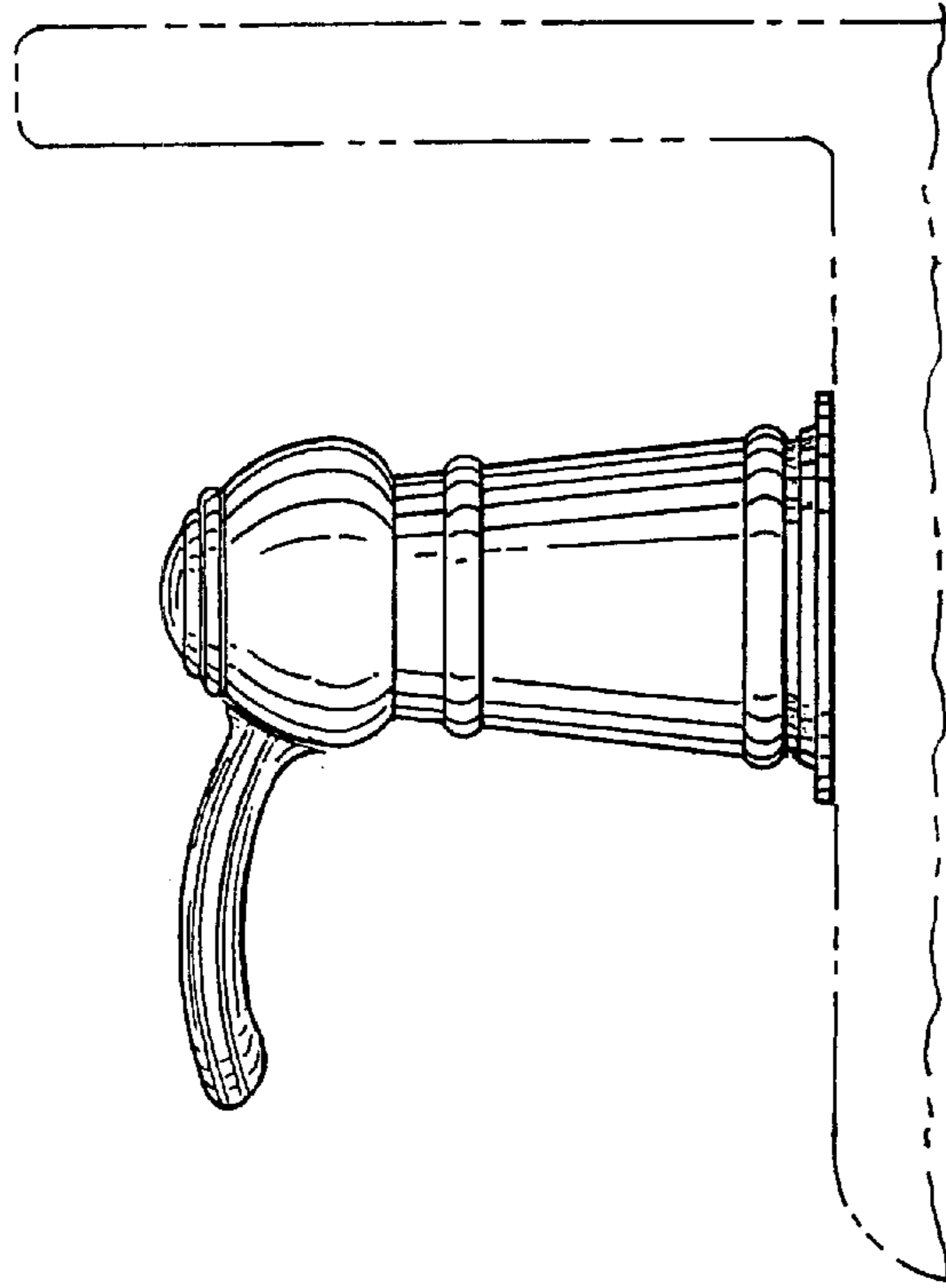


FIG.2

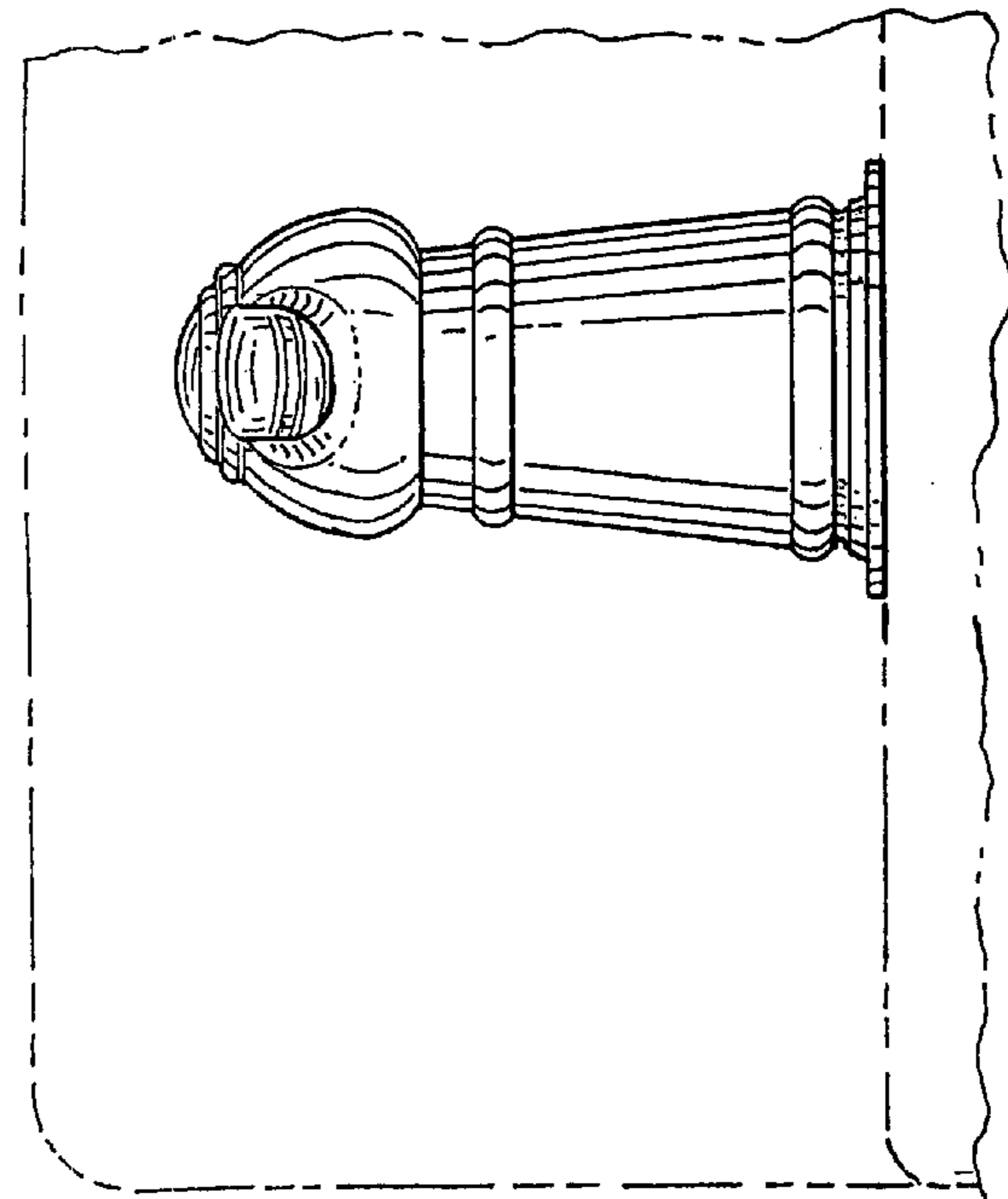


FIG. 5

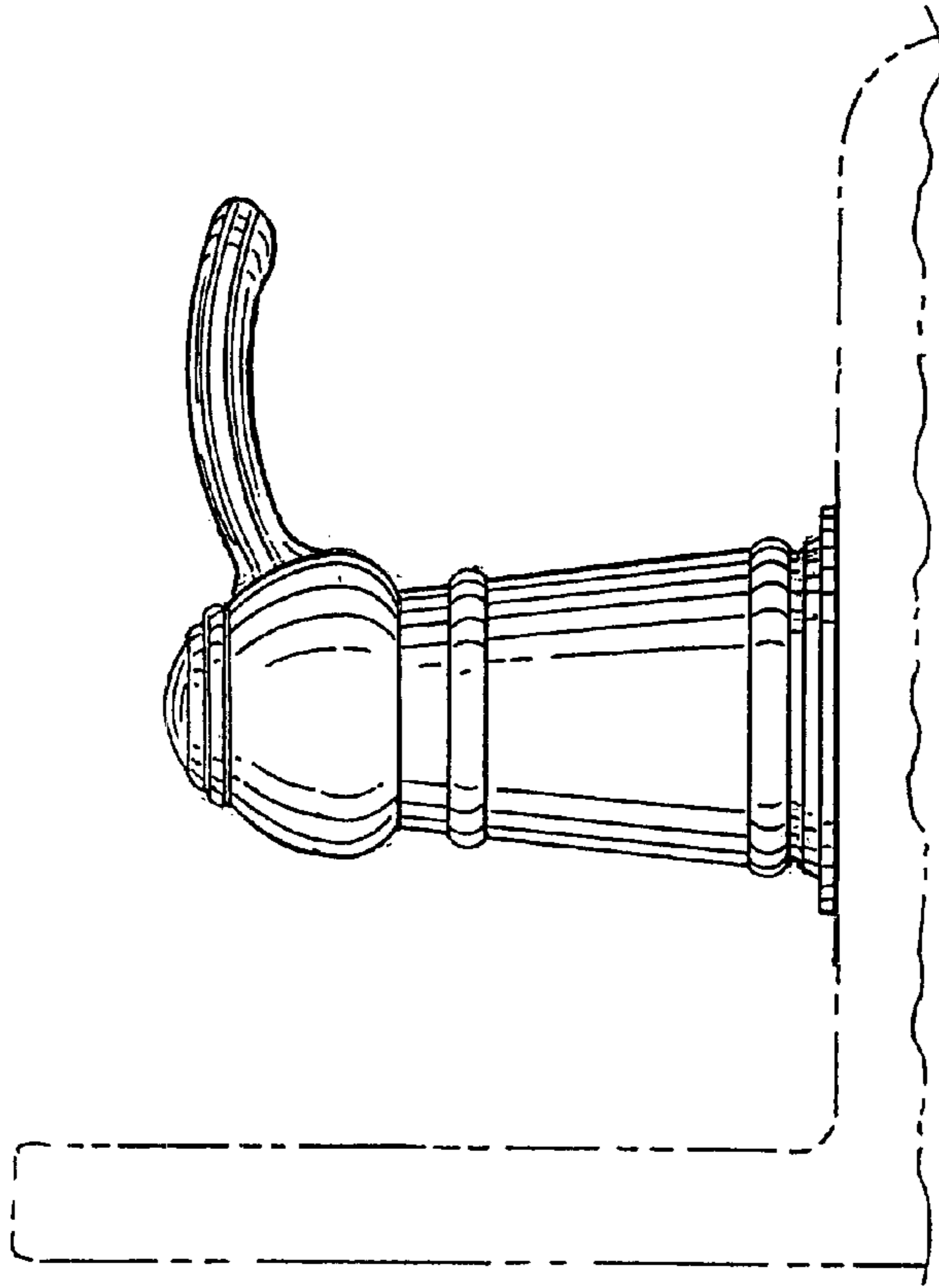


FIG. 4

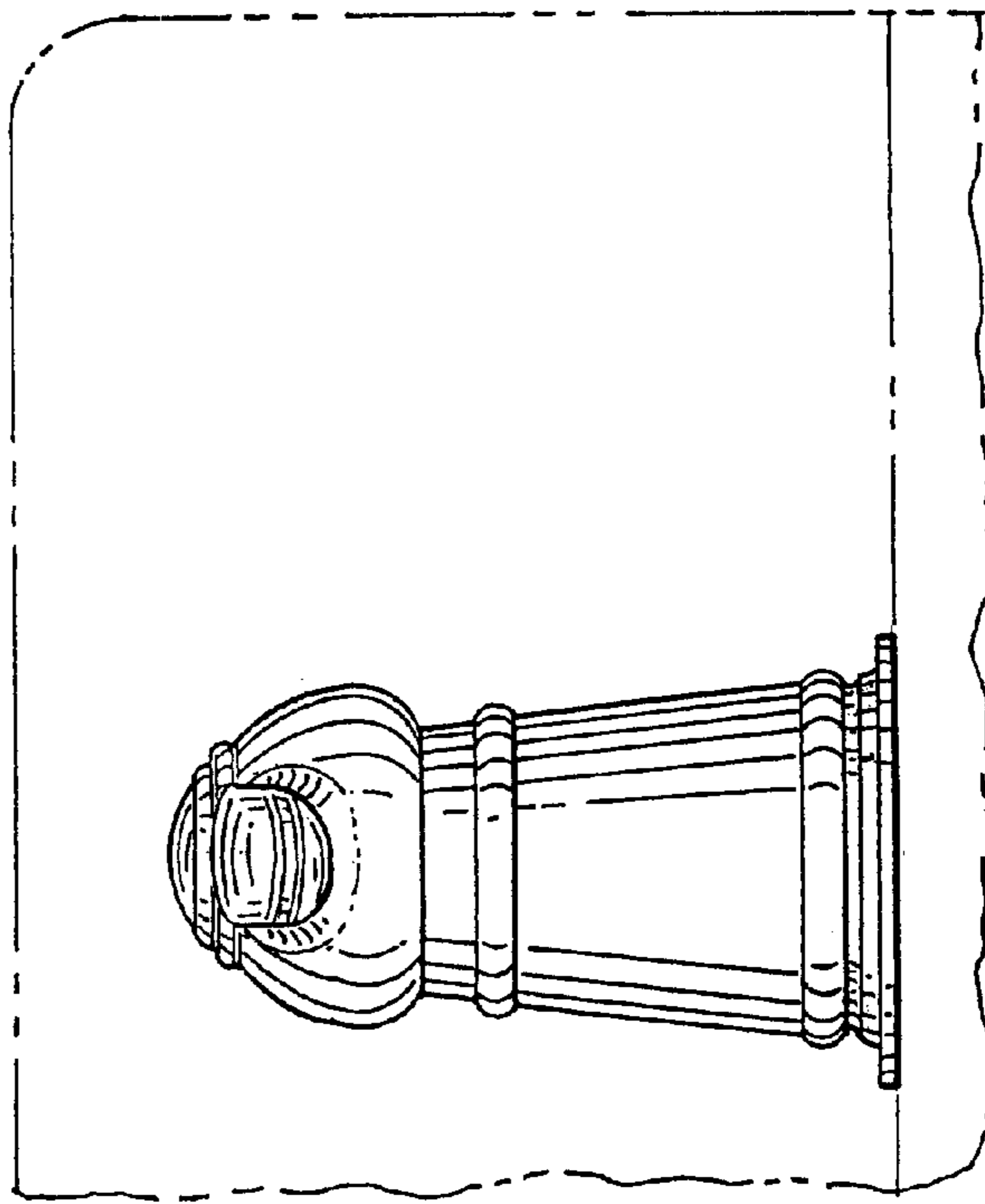


FIG. 6

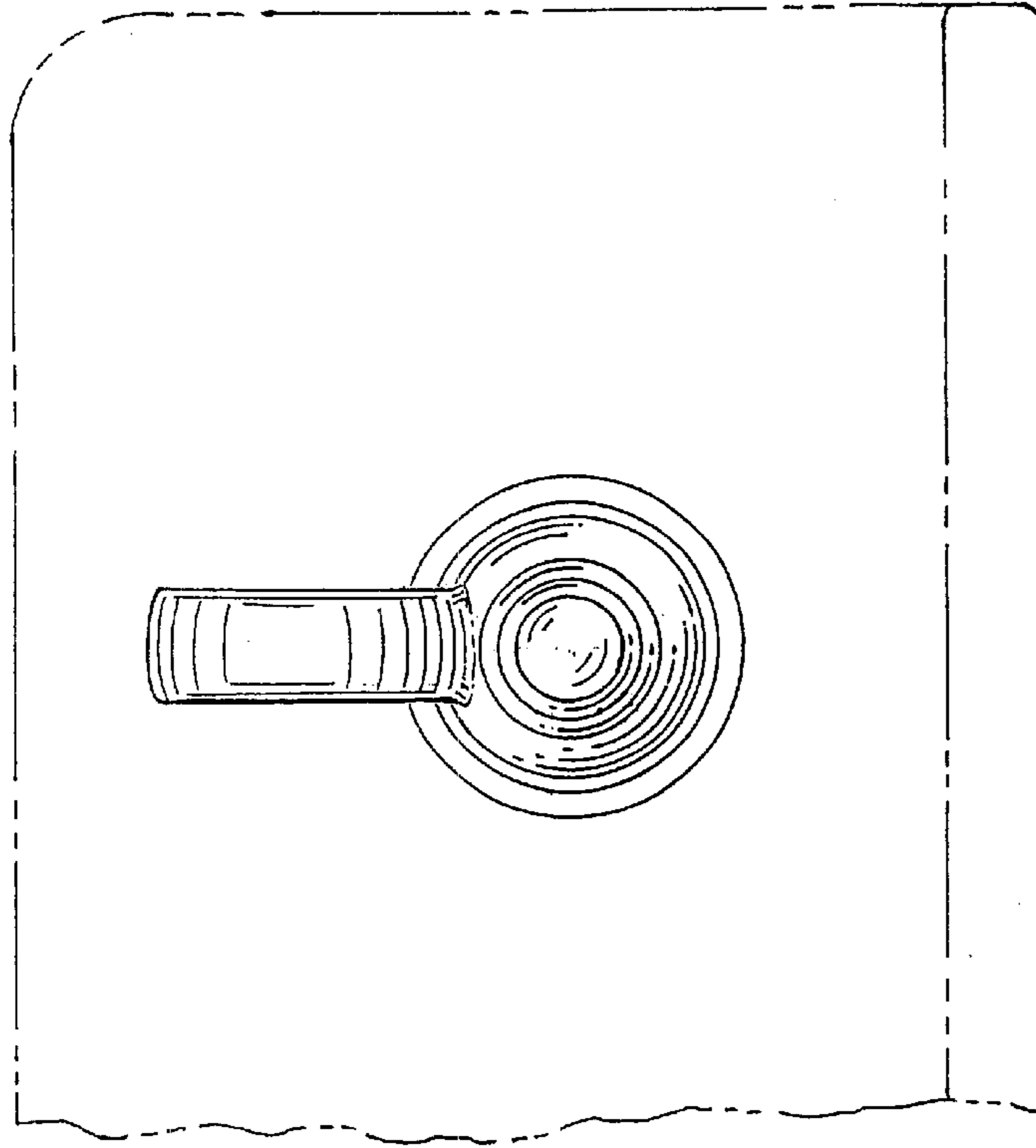


FIG. 7

