



US00D471618S

(12) **United States Design Patent** (10) **Patent No.:** **US D471,618 S**
Nien (45) **Date of Patent:** **** Mar. 11, 2003**

(54) **WATER PISTOL**

(76) Inventor: **Mei-Yu Nien**, No. 2, Yung Feng Lane,
Hsin Pao Village, Fang Yuan Hsiang,
Chang Hua Hsien (TW)

(**) Term: **14 Years**

(21) Appl. No.: **29/164,553**

(22) Filed: **Jul. 29, 2002**

(51) **LOC (7) Cl.** **23-01**

(52) **U.S. Cl.** **D23/226**

(58) **Field of Search** D23/213, 223,
D23/226; 239/394, 525, 526

(56) **References Cited**

U.S. PATENT DOCUMENTS

D379,212 S	*	5/1997	Chan	D23/223
D408,888 S	*	4/1999	Huen	D23/223
6,257,505 B1	*	7/2001	Wang	239/526

* cited by examiner

Primary Examiner—Robin V. Taylor
(74) *Attorney, Agent, or Firm*—Harrison & Egbert

(57) **CLAIM**

I claim the ornamental design for a water pistol, as shown and described.

DESCRIPTION

FIG. 1 is an upper perspective view of the water pistol showing my design.

FIG. 2 is a front view thereof;

FIG. 3 is a back view thereof;

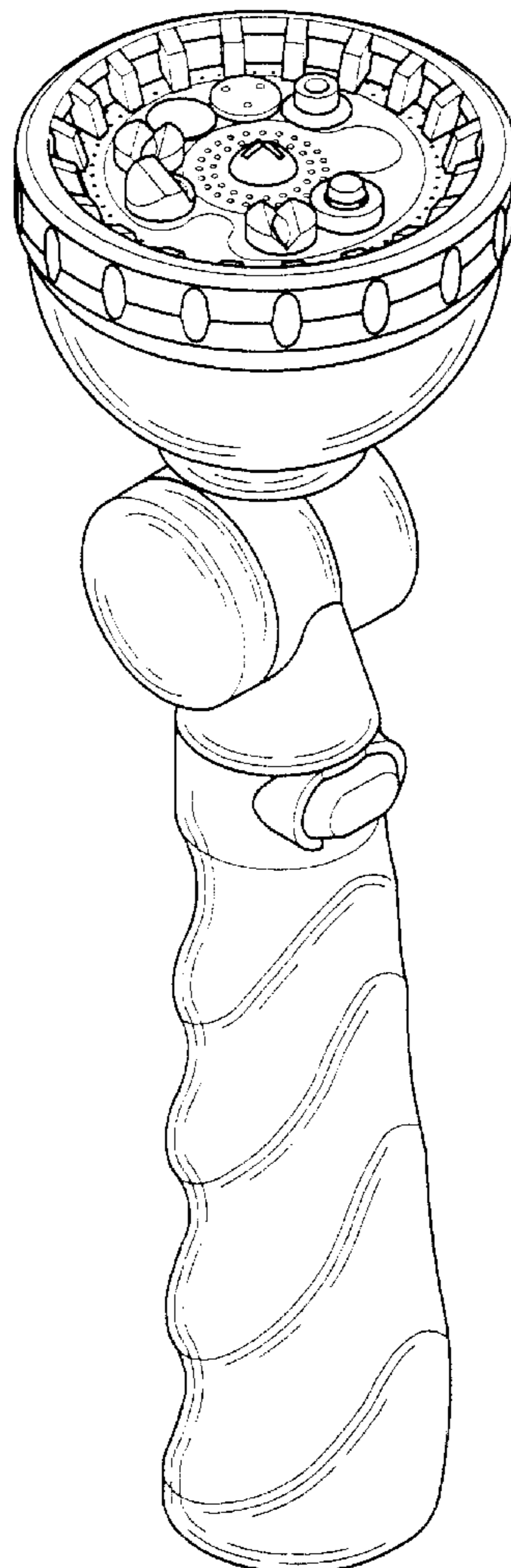
FIG. 4 is a side view thereof;

FIG. 5 is an opposite side view thereof;

FIG. 6 is a top view thereof; and,

FIG. 7 is a bottom view thereof.

1 Claim, 4 Drawing Sheets



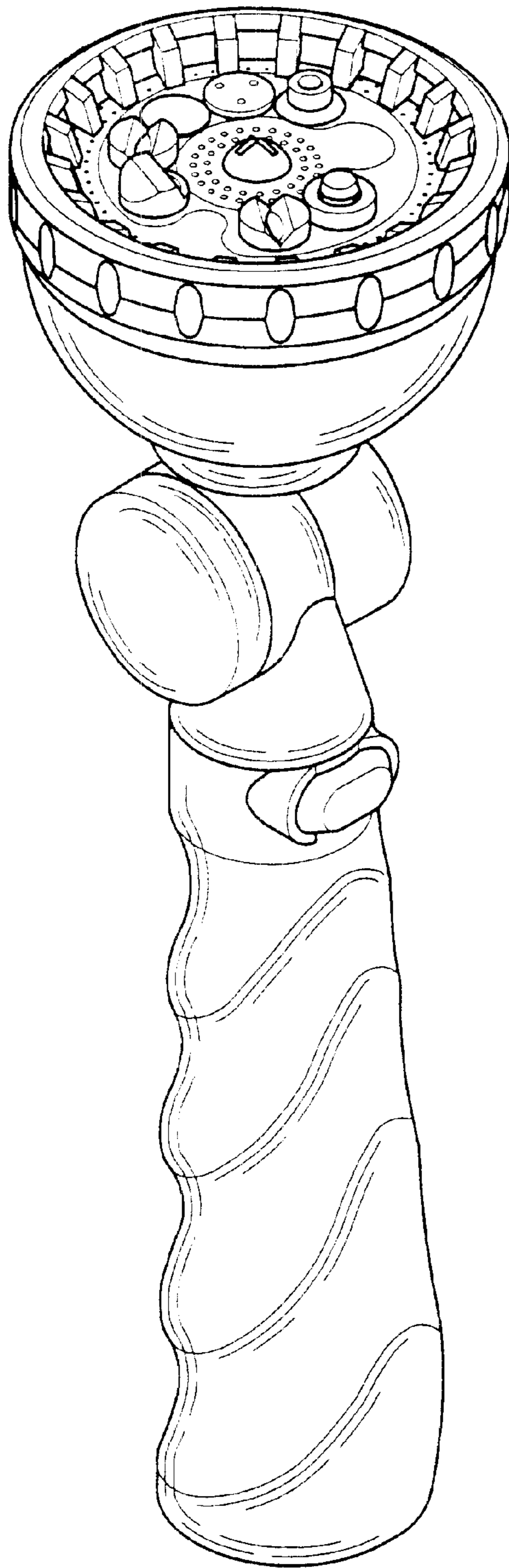


FIG.1

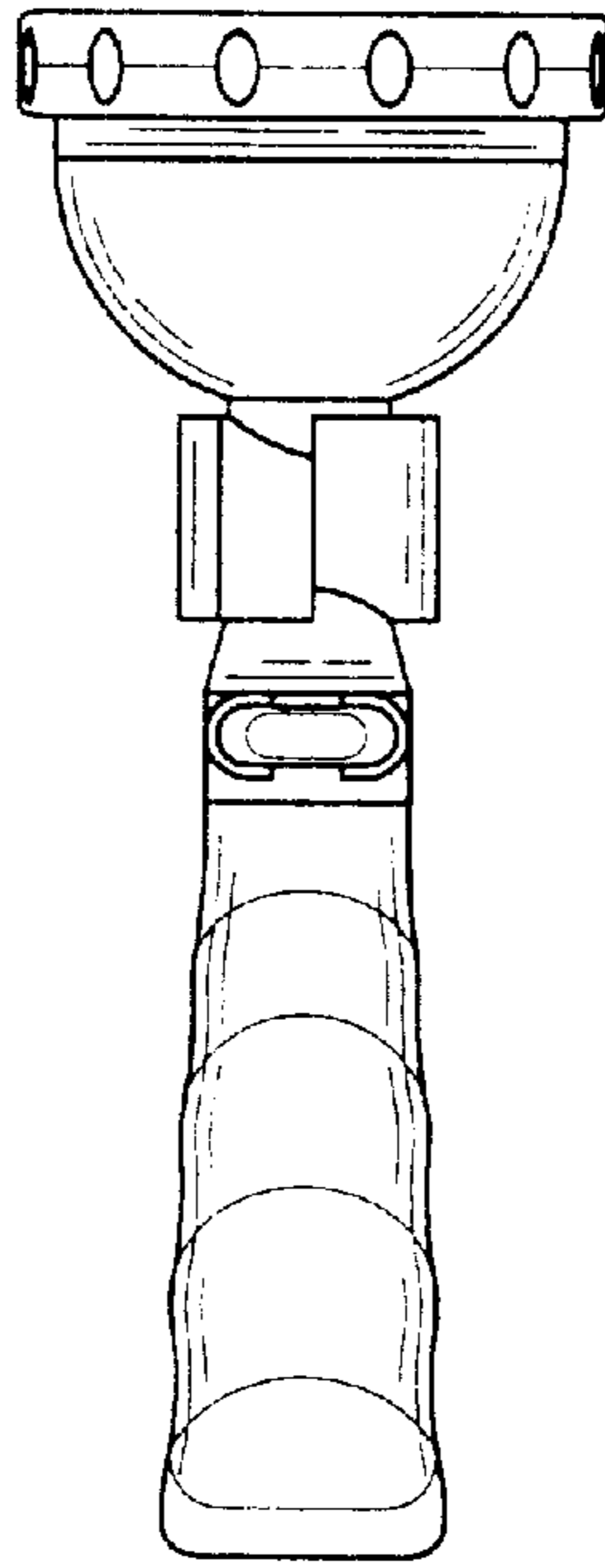


FIG. 2

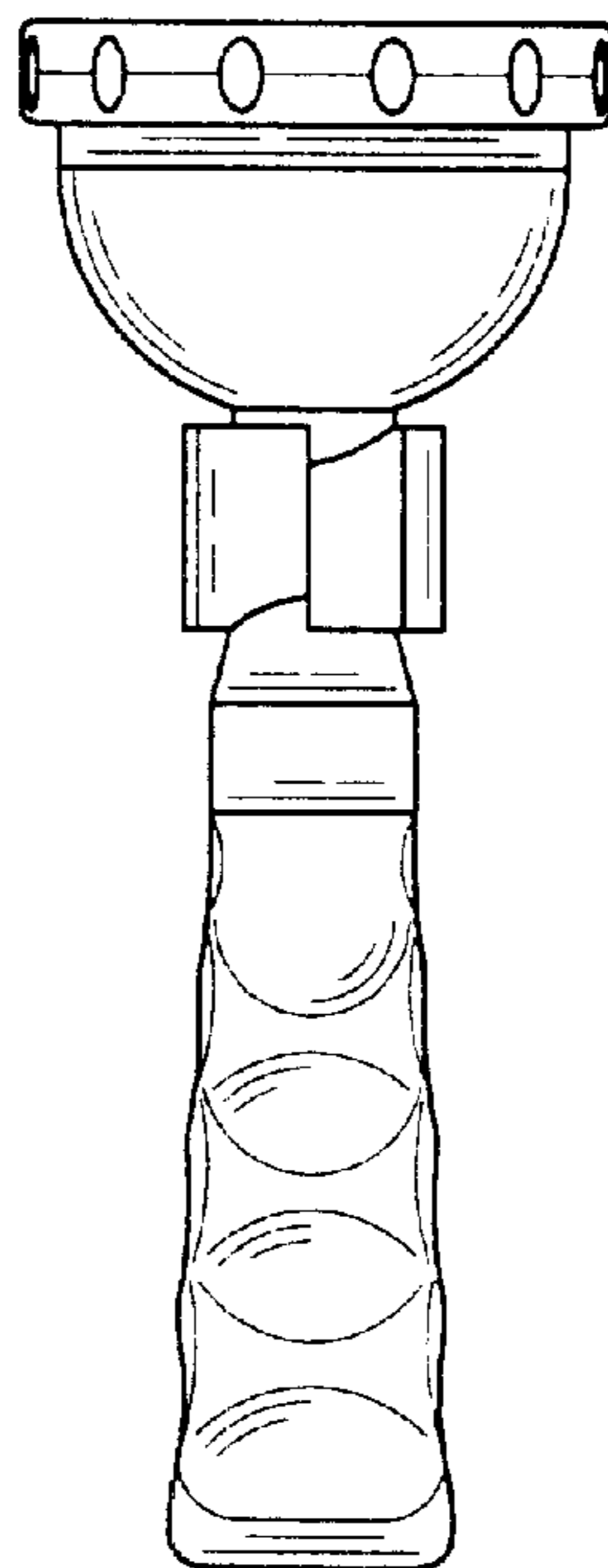


FIG. 3

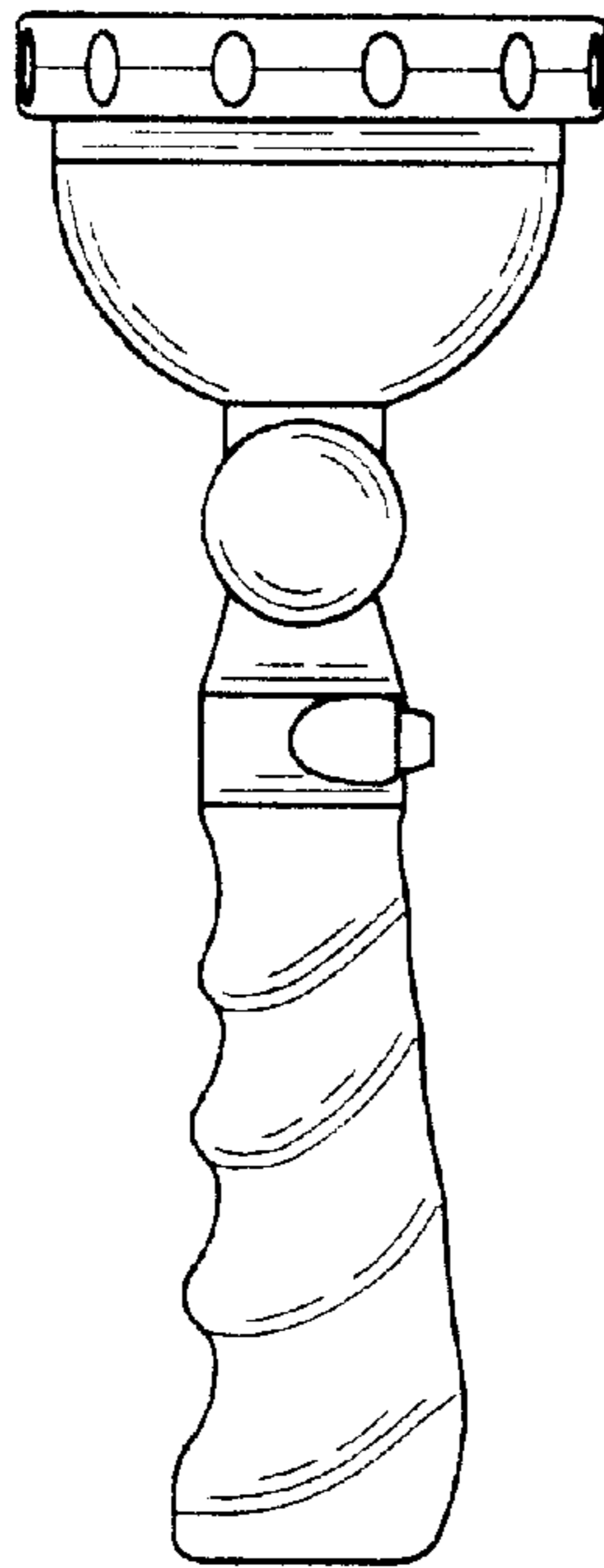


FIG. 4

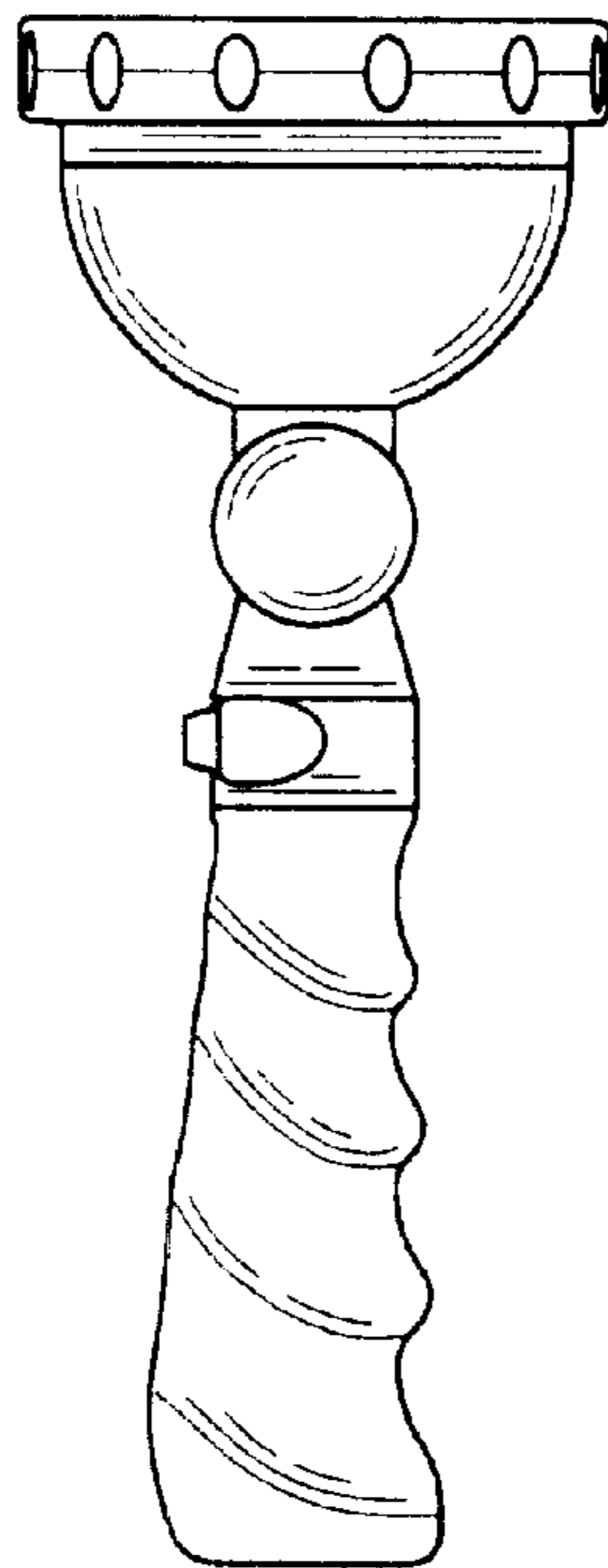


FIG. 5

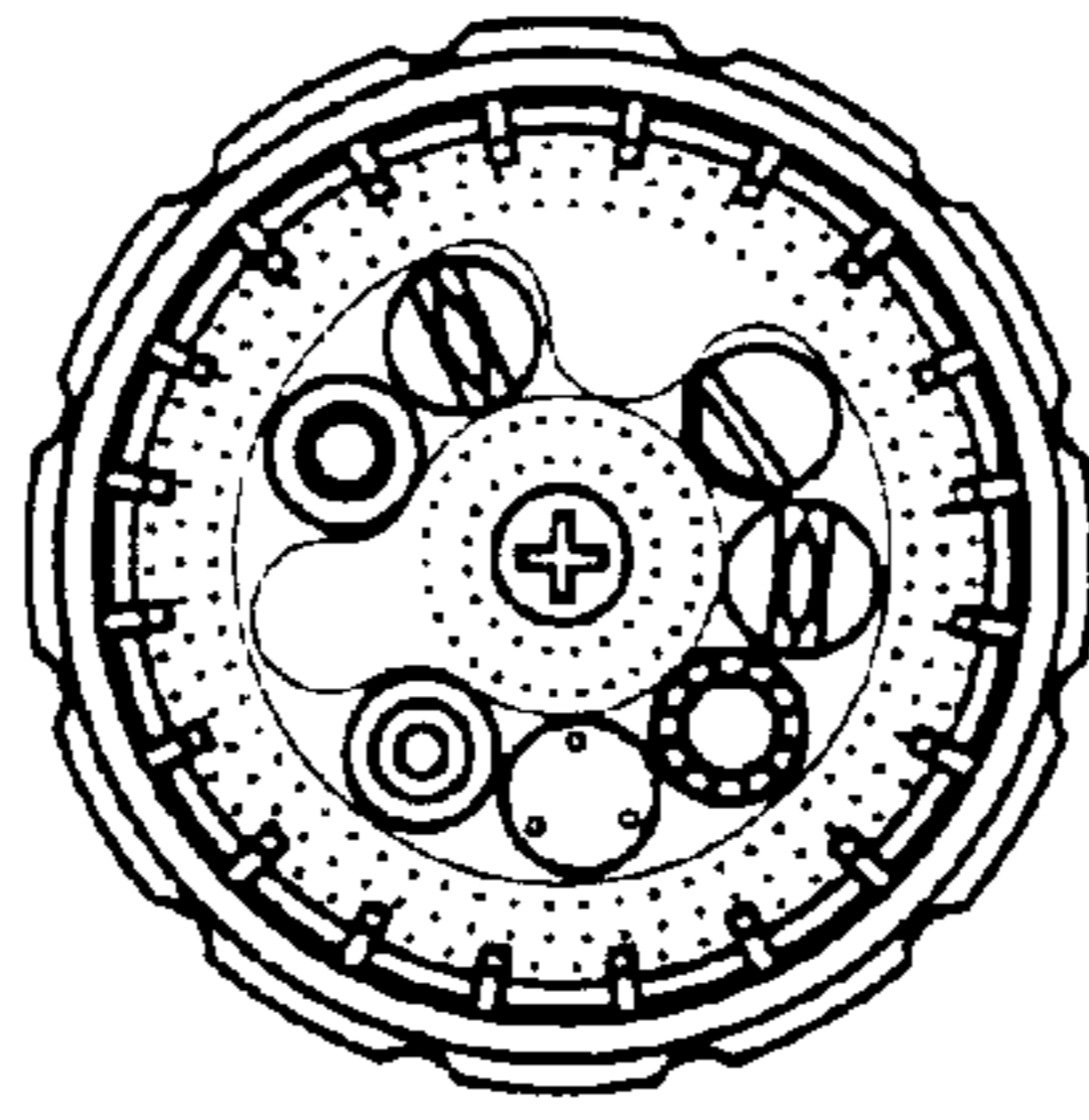


FIG. 6

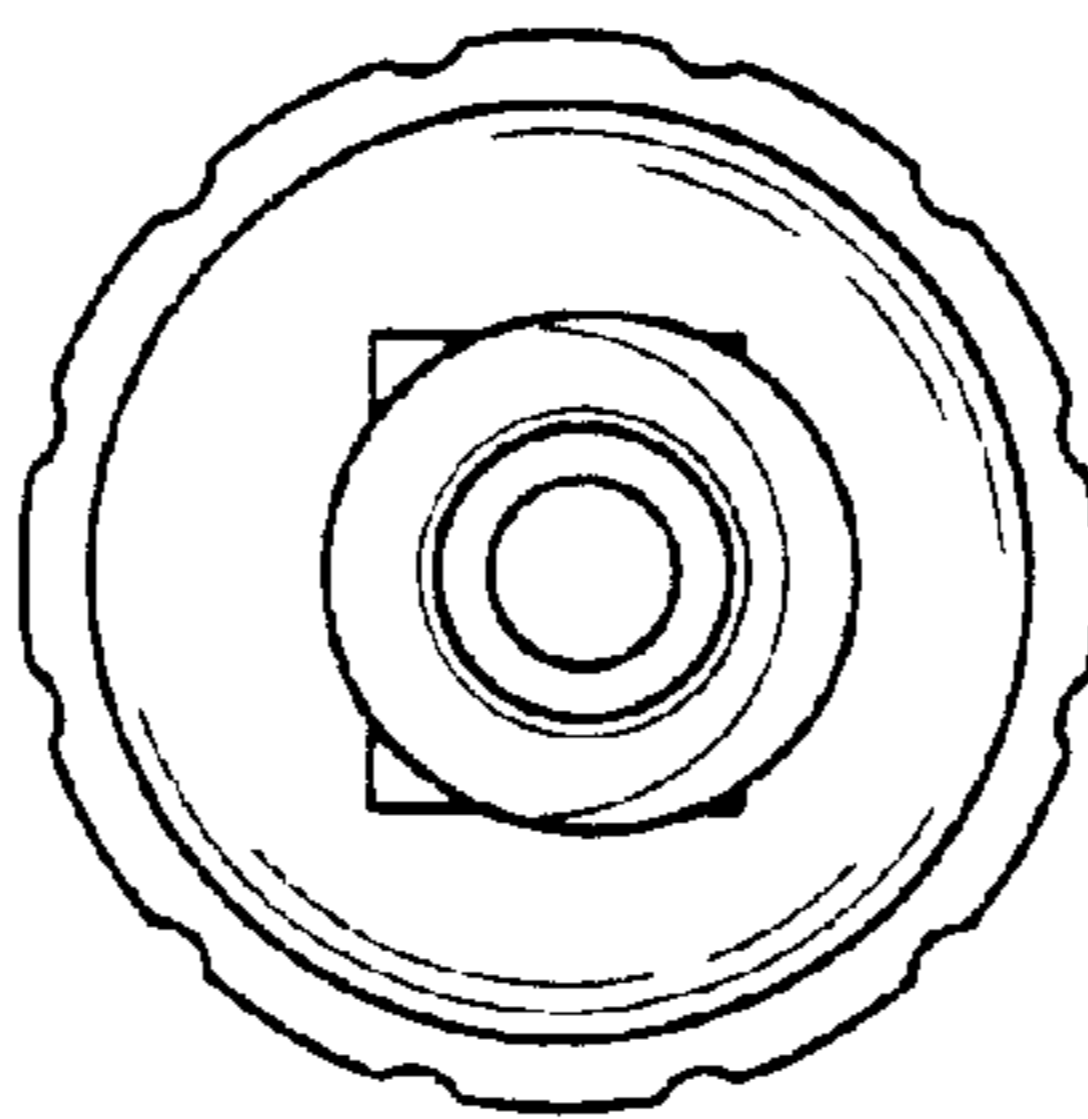


FIG. 7