



US00D471617S

(12) **United States Design Patent**  
**Zhao**

(10) **Patent No.:** **US D471,617 S**

(45) **Date of Patent:** **\*\* Mar. 11, 2003**

(54) **SPRAY NOZZLE**

D445,874 S \* 7/2001 Czerwinski et al. .... D23/226

(75) Inventor: **Weidong Zhao**, Xiamen (CN)

\* cited by examiner

(73) Assignee: **Xiamen Lota International Co., Ltd.**,  
Xiamen (CN)

*Primary Examiner*—Robin V. Taylor

(74) *Attorney, Agent, or Firm*—Wallenstein & Wagner, Ltd.

(\*\*) Term: **14 Years**

(57) **CLAIM**

(21) Appl. No.: **29/164,546**

I claim the ornamental design for a spray nozzle, shown and described.

(22) Filed: **Jul. 26, 2002**

**DESCRIPTION**

(51) **LOC (7) Cl.** ..... **23-01**

(52) **U.S. Cl.** ..... **D23/226**

(58) **Field of Search** ..... D23/213, 223,  
D23/226; 239/525–527, 394

FIG. 1 is a perspective view of the spray nozzle of the invention;

FIG. 2 is a front view of the spray nozzle of FIG. 1;

FIG. 3 is a left side view of the spray nozzle of FIG. 1;

FIG. 4 is a right view of the spray nozzle of FIG. 1;

FIG. 5 is a rear side view of the spray nozzle of FIG. 1;

FIG. 6 is a top view of the spray nozzle of FIG. 1; and,

FIG. 7 is a bottom view of the spray nozzle of FIG. 1.

The broken line showing is for illustrative purposes only and forms no part of the claimed design.

(56) **References Cited**

**U.S. PATENT DOCUMENTS**

- D373,174 S \* 8/1996 Valley et al. .... D23/226
- D380,808 S \* 7/1997 Barre ..... D23/226
- D434,830 S \* 12/2000 Liou ..... D23/226
- D441,052 S \* 4/2001 Lu ..... D23/226

**1 Claim, 4 Drawing Sheets**

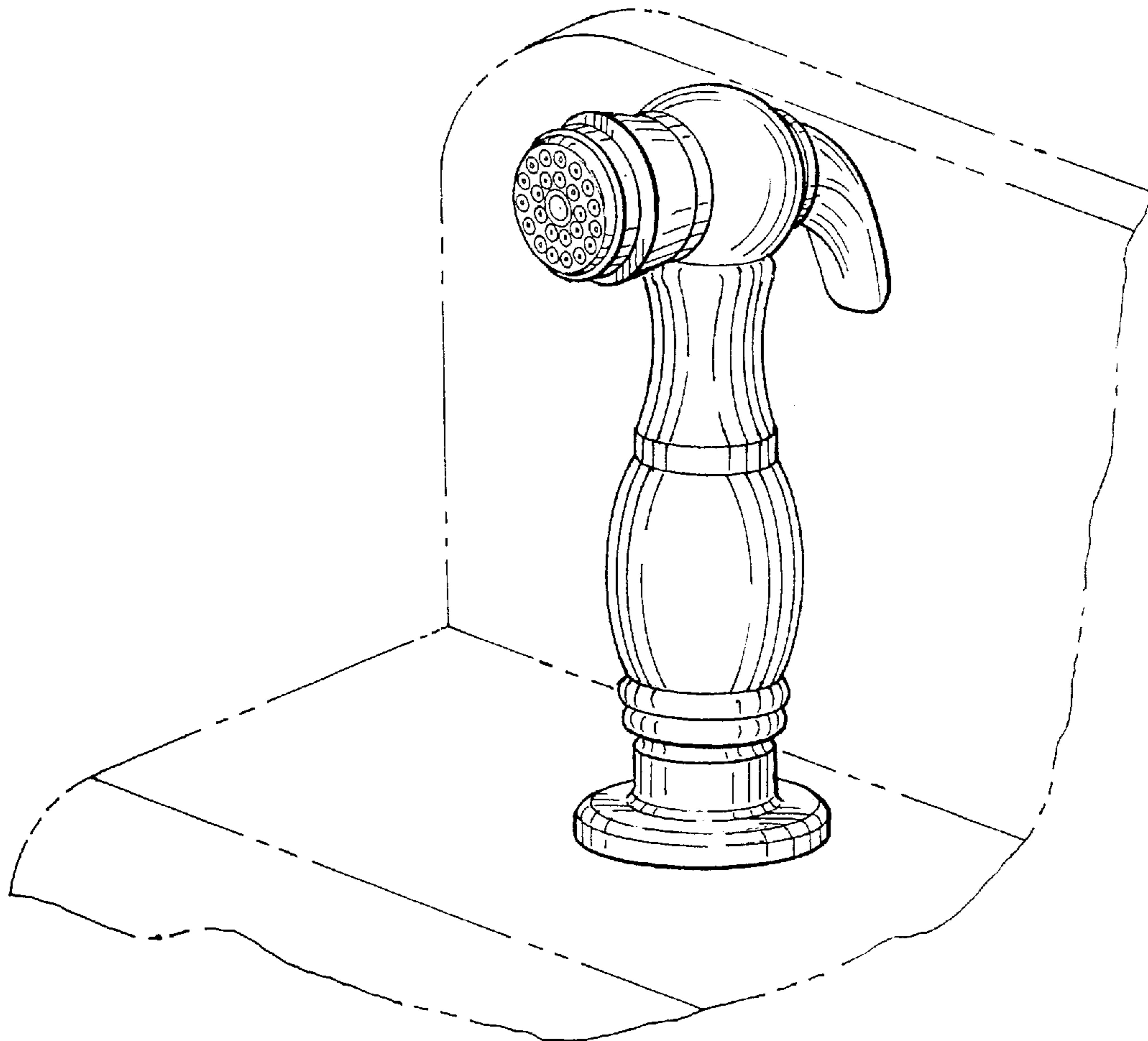


FIG. 1

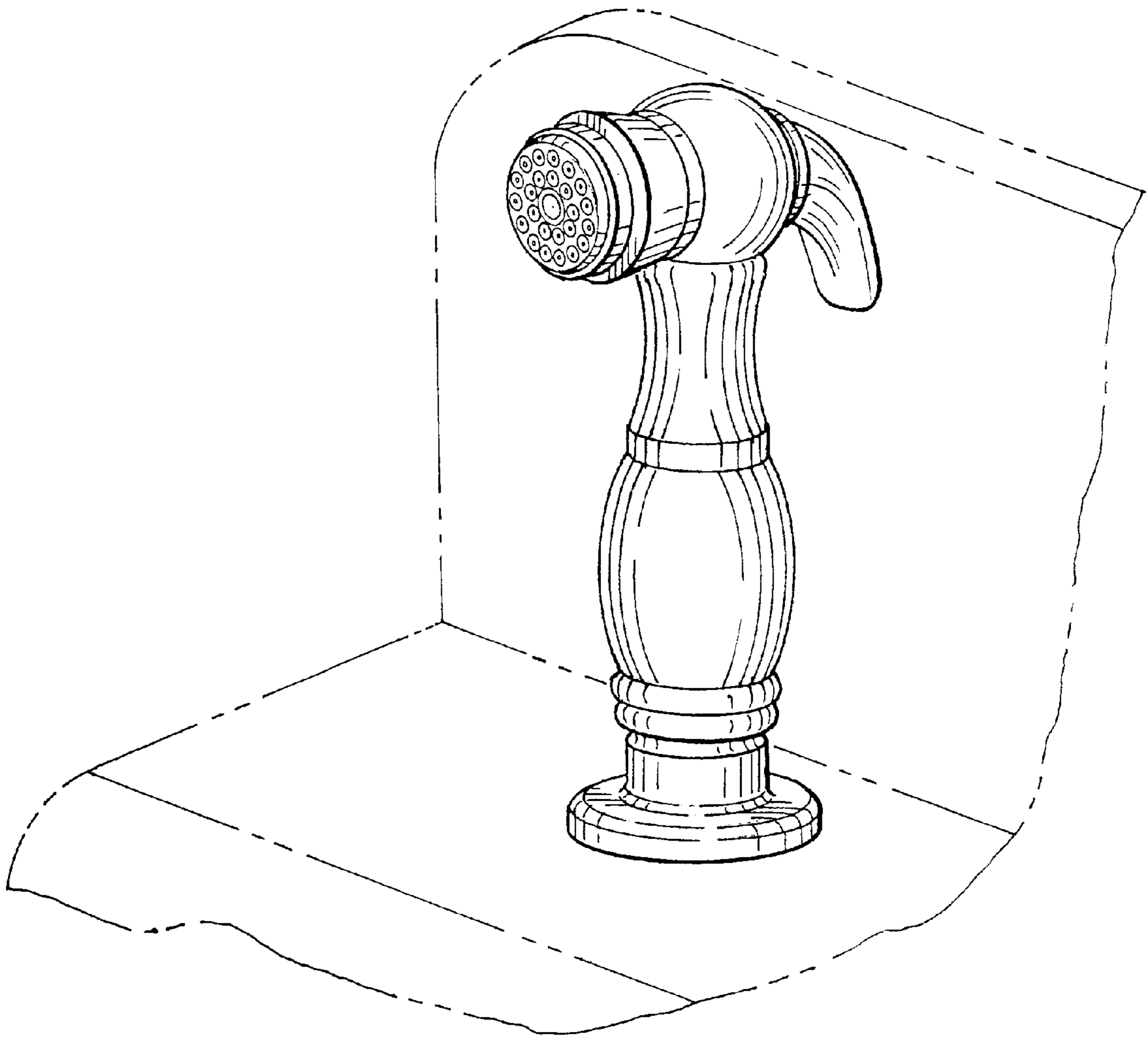


FIG.3

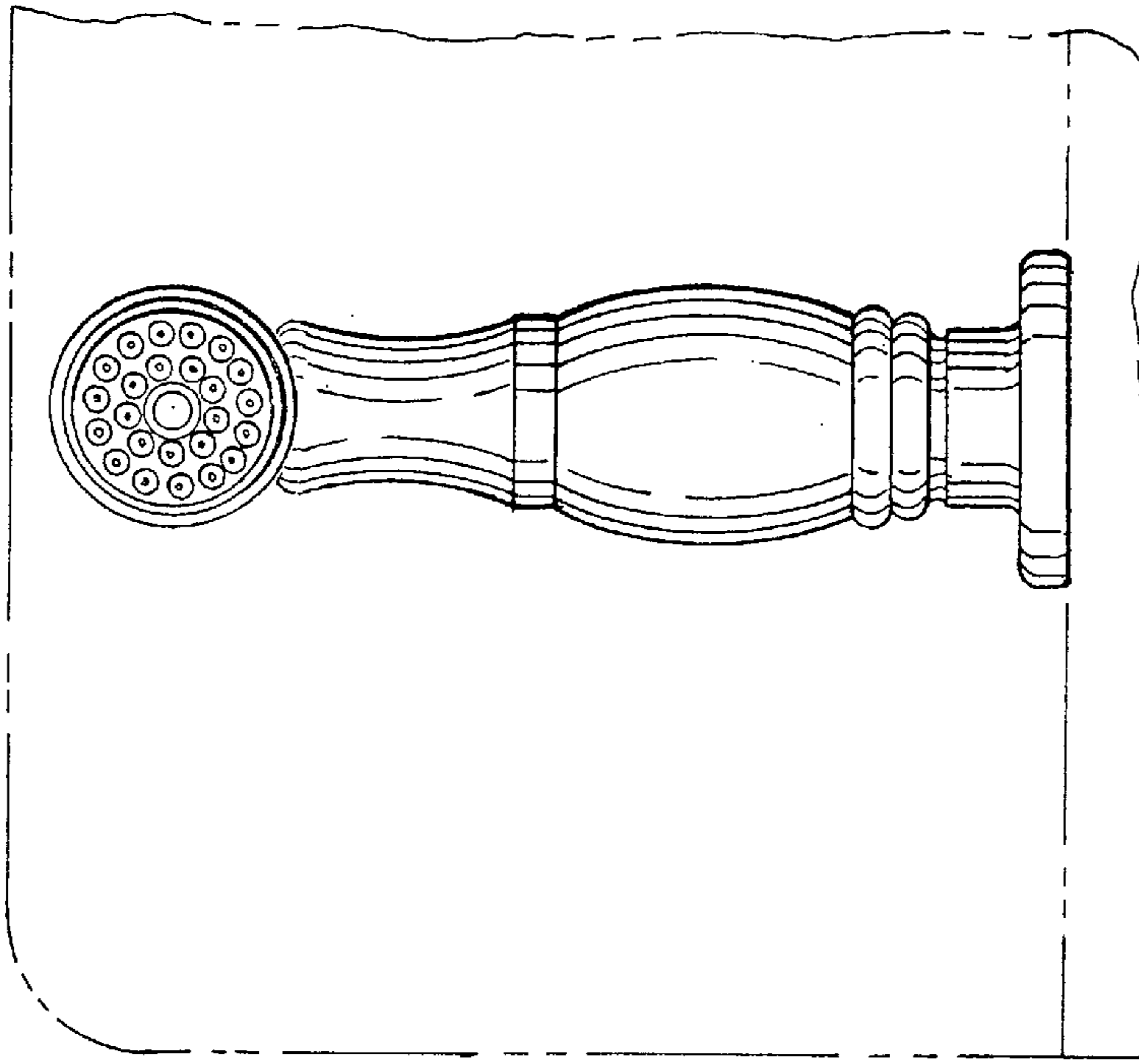


FIG.2

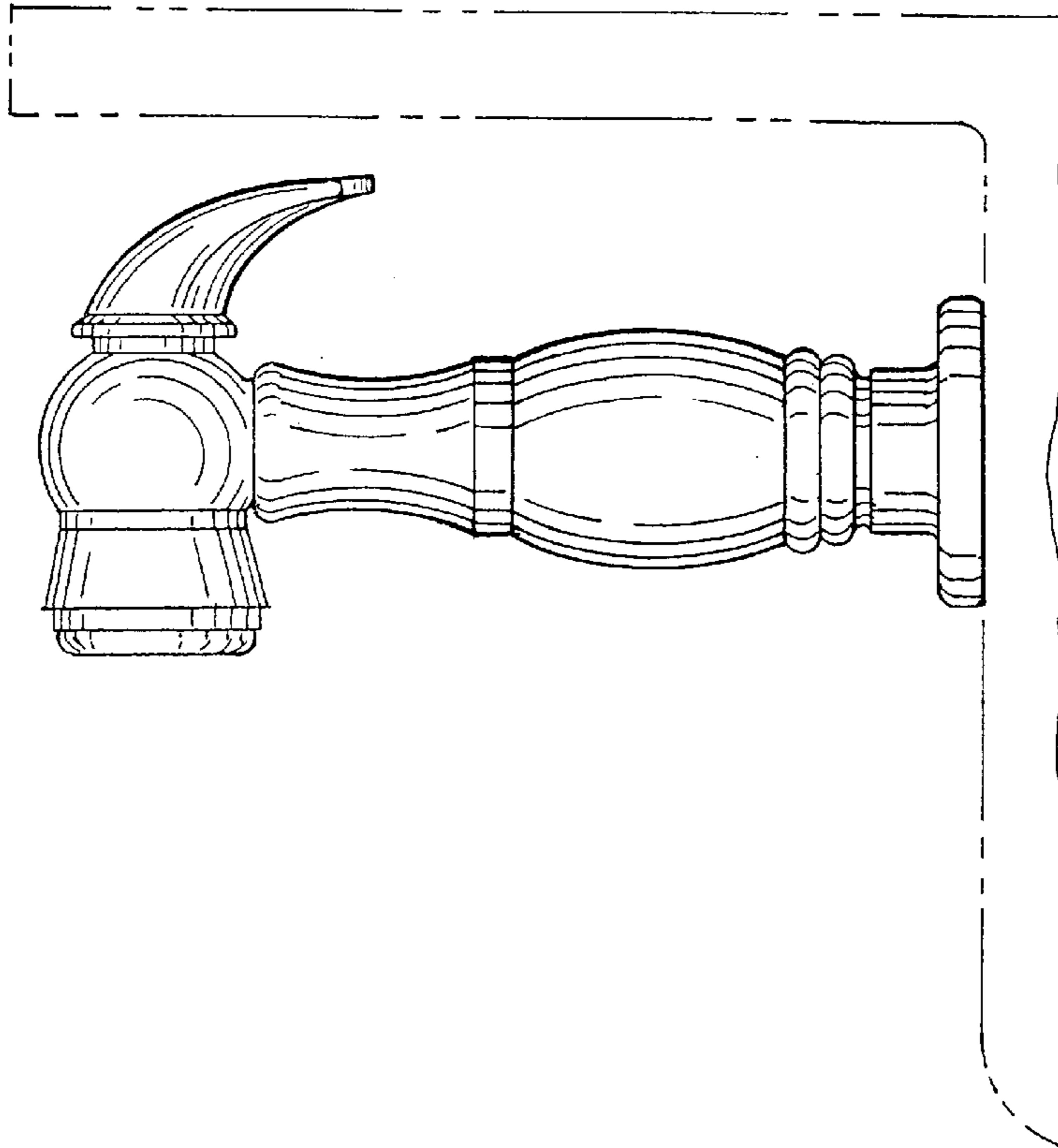


FIG.5

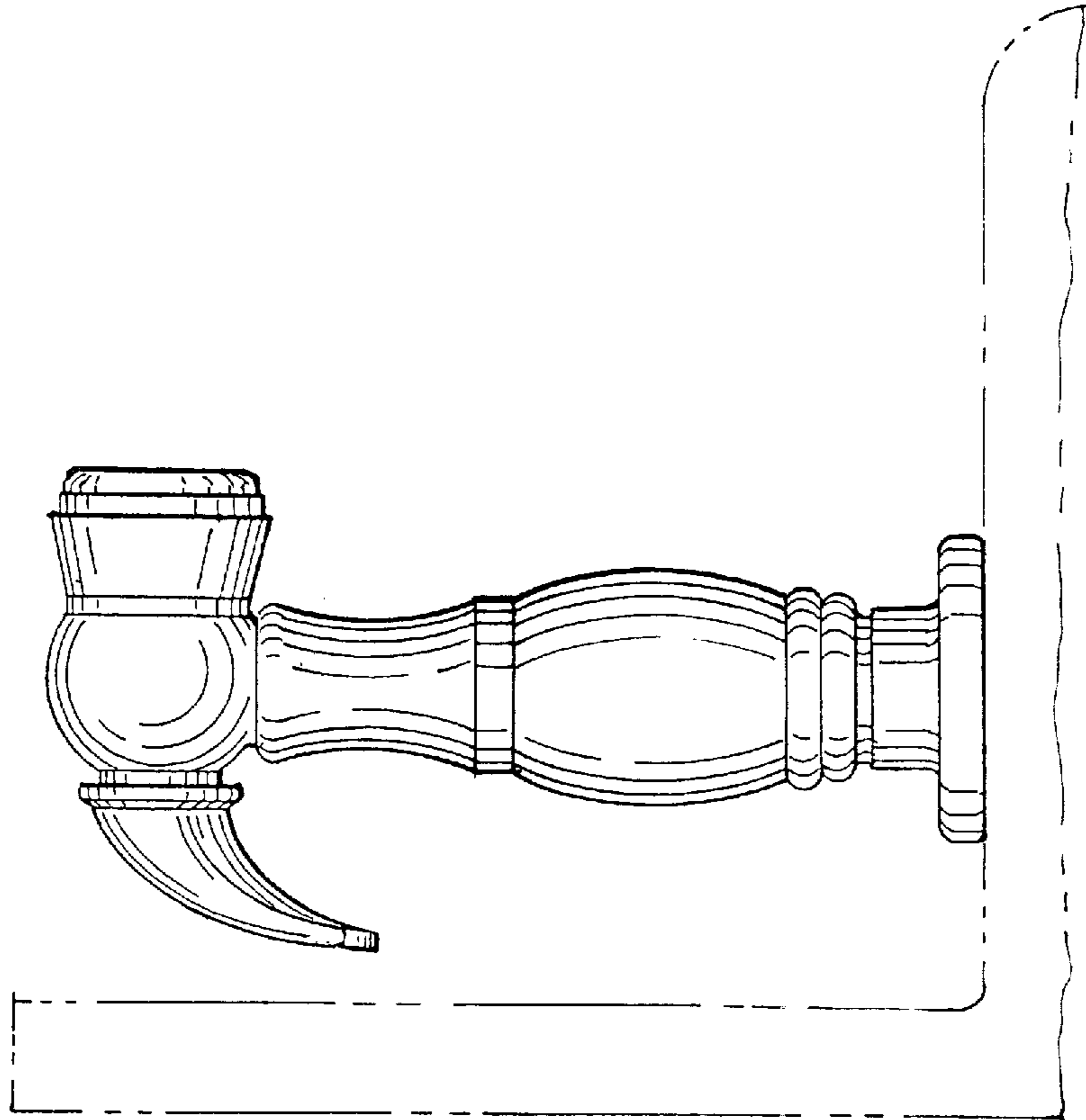


FIG.4

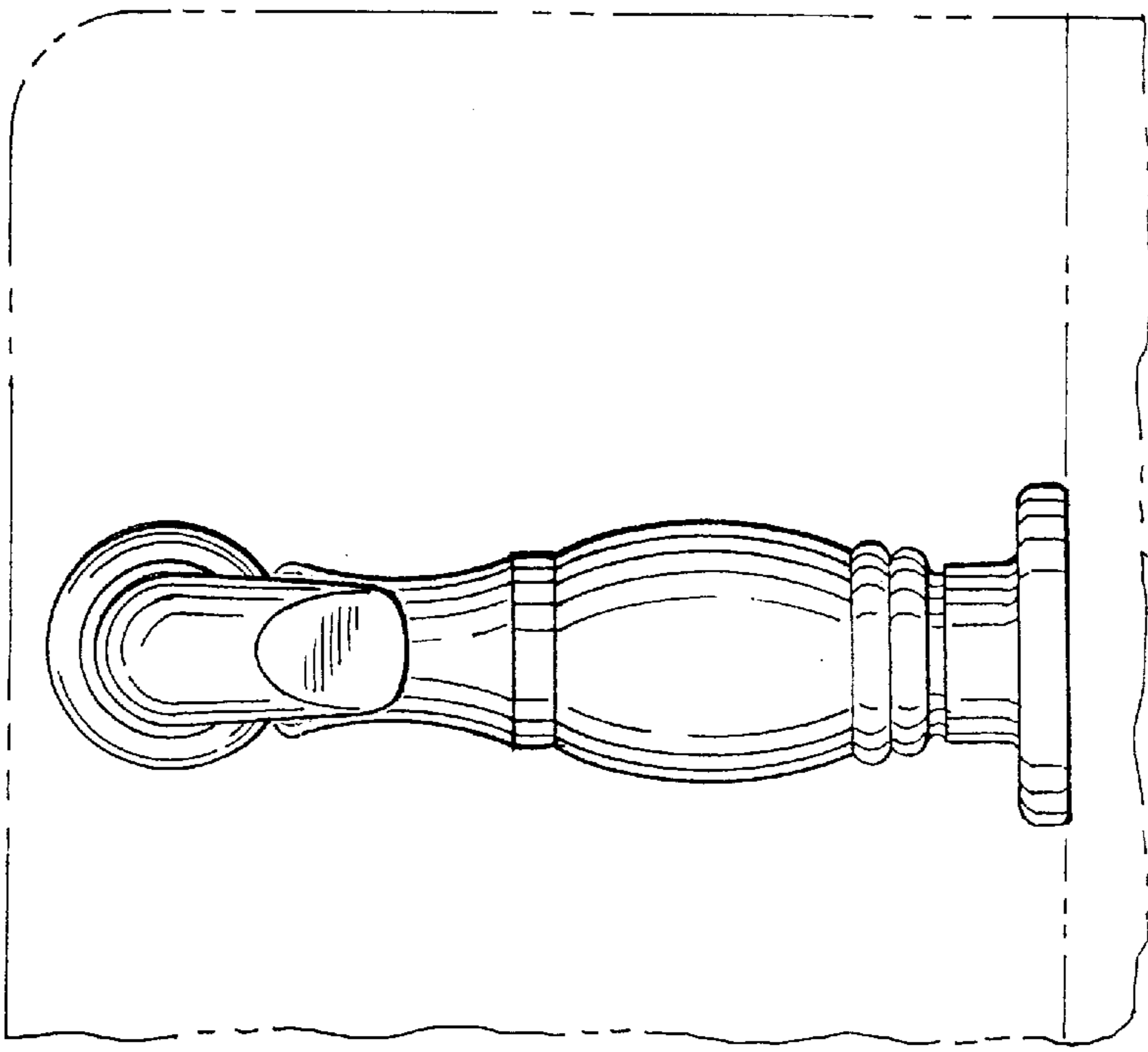


FIG. 6

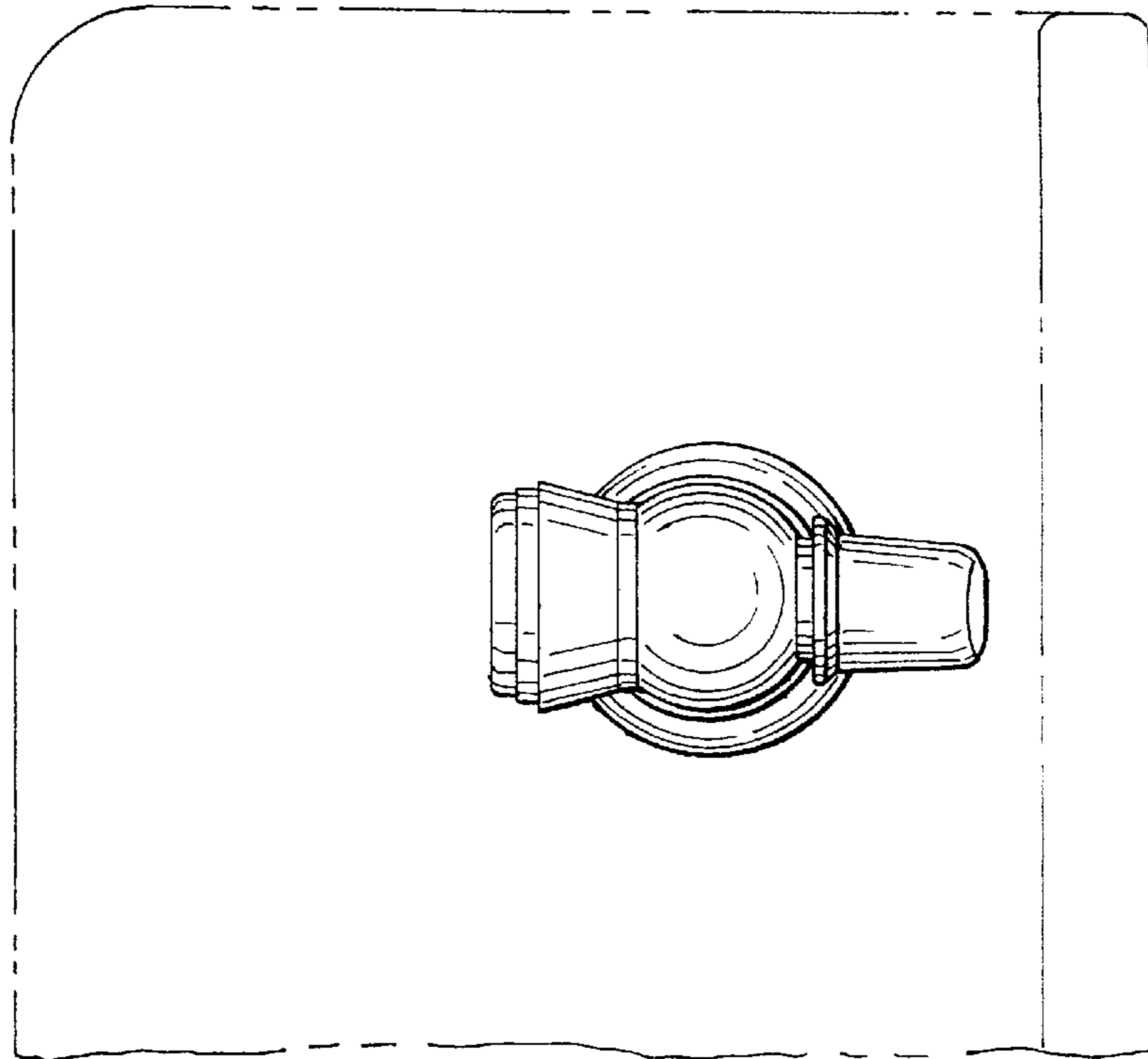
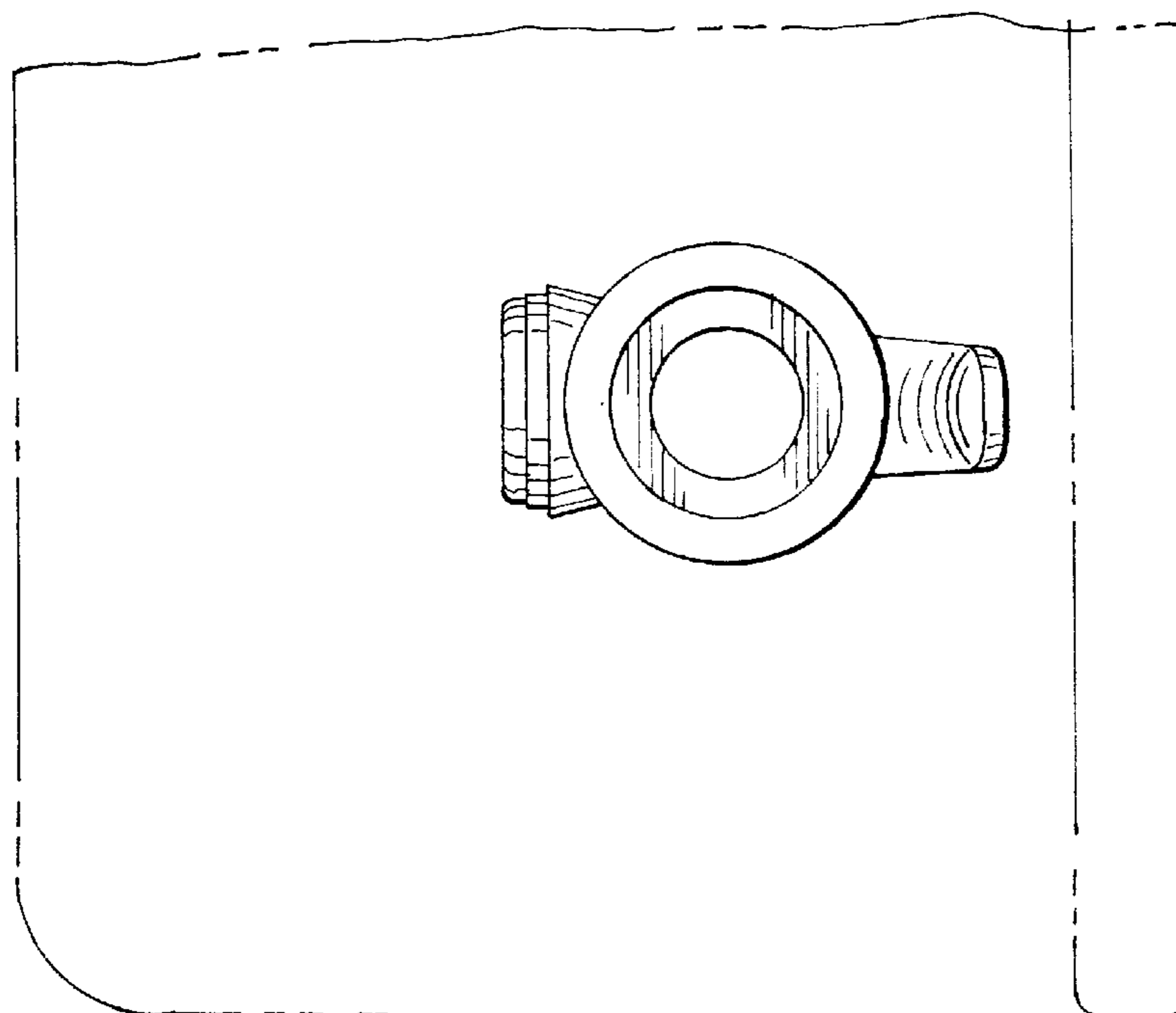


FIG. 7



UNITED STATES PATENT AND TRADEMARK OFFICE  
**CERTIFICATE OF CORRECTION**

PATENT NO. : Des. 471,617 S  
DATED : March 11, 2003  
INVENTOR(S) : Weidong Zhao

Page 1 of 1

It is certified that error appears in the above-identified patent and that said Letters Patent is hereby corrected as shown below:

Title page,

**DESCRIPTION,**

FIG. 2, the word appearing as "front" should be -- left side --


FIG. 3, the words appearing as "left side" should be -- front --

FIG. 4, the words appearing as "right side" should be -- rear --

FIG. 5, the word appearing as "rear" should be -- right side --

Signed and Sealed this

Eleventh Day of November, 2003

A handwritten signature in black ink, appearing to read "James E. Rogan", with a horizontal line drawn underneath it.

JAMES E. ROGAN

*Director of the United States Patent and Trademark Office*