



US00D471616S

(12) **United States Design Patent**
Marfione

(10) **Patent No.:** **US D471,616 S**

(45) **Date of Patent:** **** Mar. 11, 2003**

(54) **BROAD HEAD ARROW HEAD**

5,145,187 A * 9/1992 Lewis 473/584
6,045,468 A * 4/2000 Tinsley et al. 473/584

(76) Inventor: **Anthony Marfione**, 932 SE. 36th Ct.,
Vero Beach, FL (US) 32968

* cited by examiner

(**) Term: **14 Years**

Primary Examiner—Louis S. Zarfaz
Assistant Examiner—Monica A. Weingart
(74) *Attorney, Agent, or Firm*—Kevin Redmond

(21) Appl. No.: **29/165,113**

(22) Filed: **Aug. 6, 2002**

(57) **CLAIM**

(51) **LOC (7) Cl.** **23-01**

I claim the ornamental design for a broad head arrow head,
as shown and described.

(52) **U.S. Cl.** **D22/115**

(58) **Field of Search** D22/100, 107,
D22/115, 199; 473/578, 582, 583, 584,
585, 586

DESCRIPTION

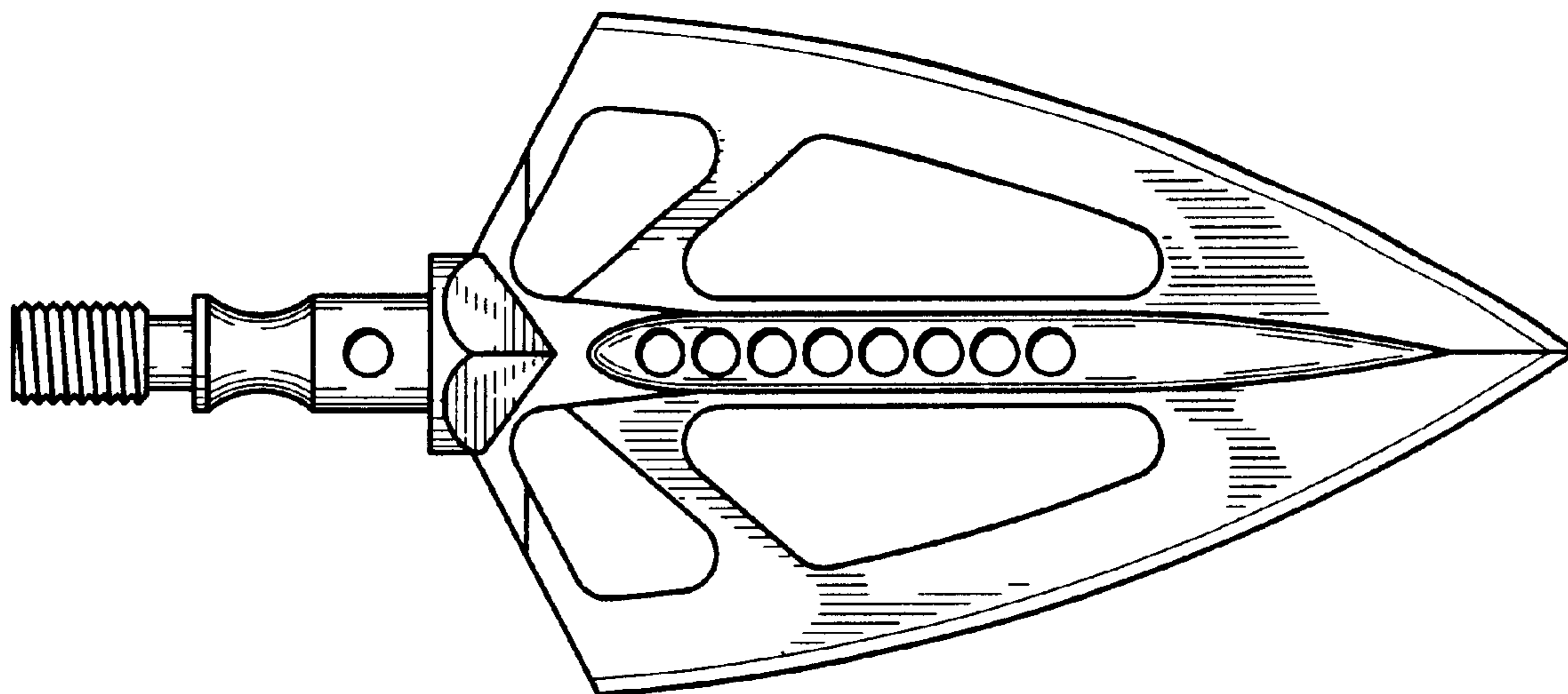
(56) **References Cited**

U.S. PATENT DOCUMENTS

2,829,894 A * 4/1958 Henkel 473/584
2,864,618 A * 12/1958 Schwenk 473/583
D236,465 S * 8/1975 Hamilton D22/115
3,995,860 A * 12/1976 Manspeaker 473/584

FIG. 1 is a left side elevational view of the broad head arrow head showing my new design;
FIG. 2 is a right side elevational view thereof;
FIG. 3 is a front elevational view thereof;
FIG. 4 is a rear elevational view thereof; and,
FIG. 5 is a top plan view thereof.

1 Claim, 2 Drawing Sheets



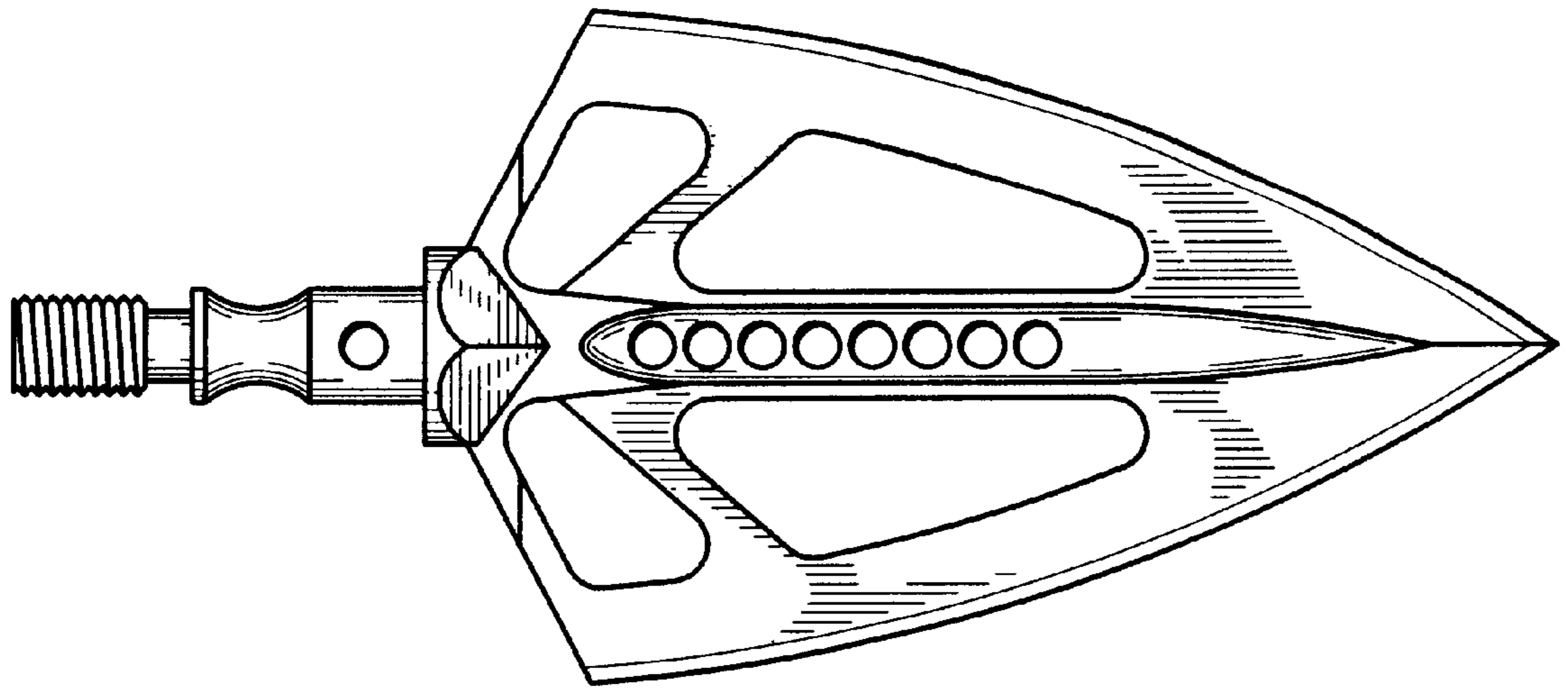


Fig. 1

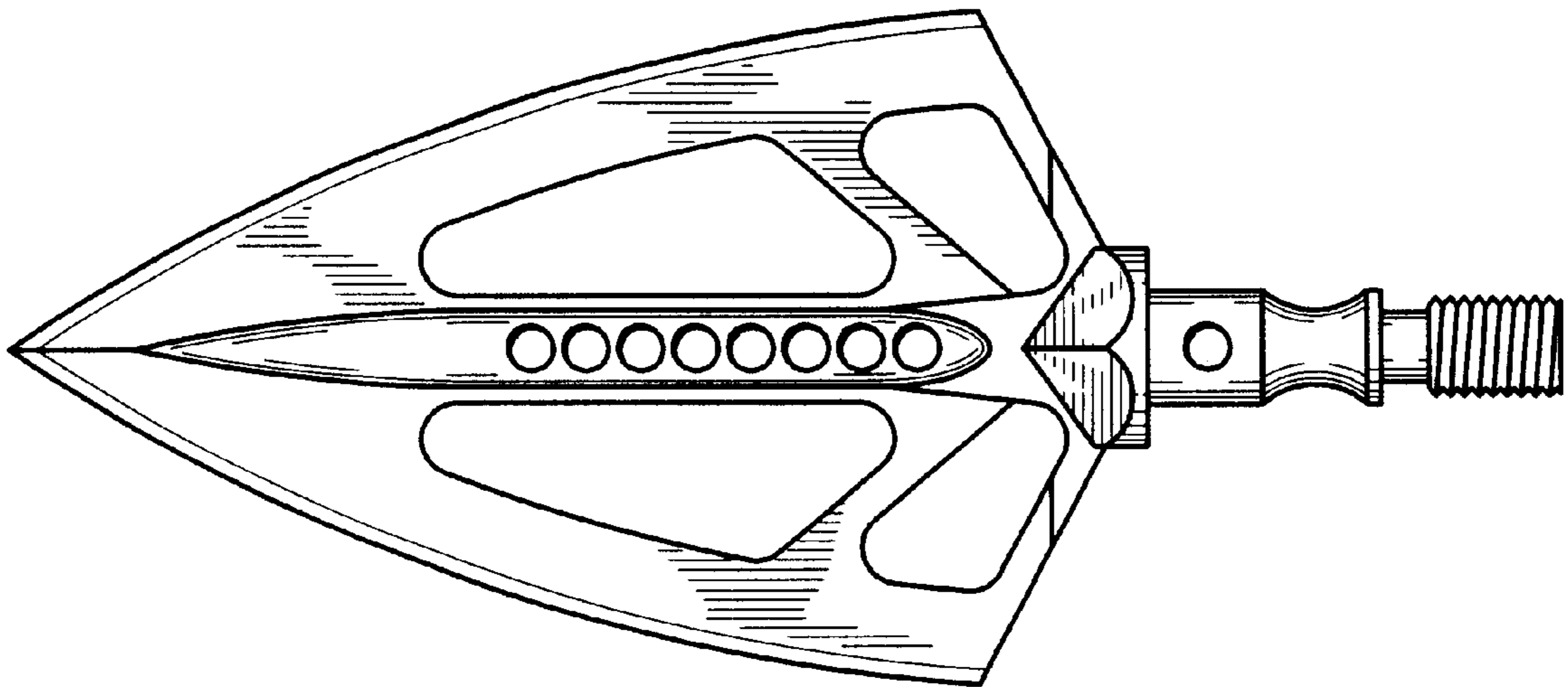


Fig. 2

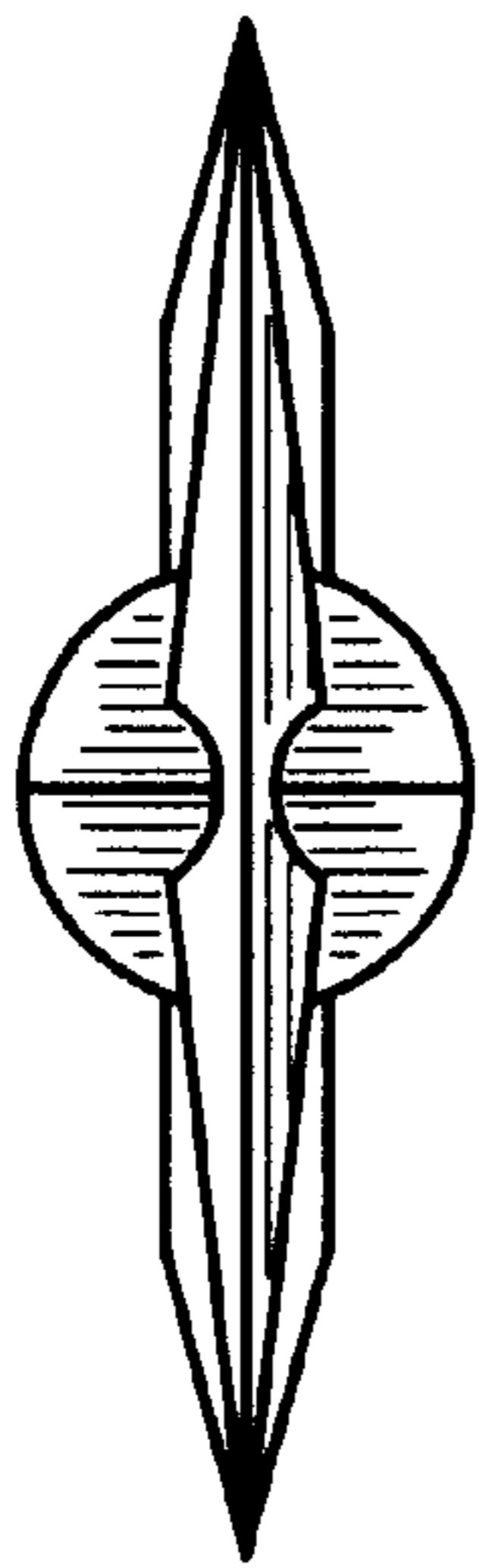


Fig. 3

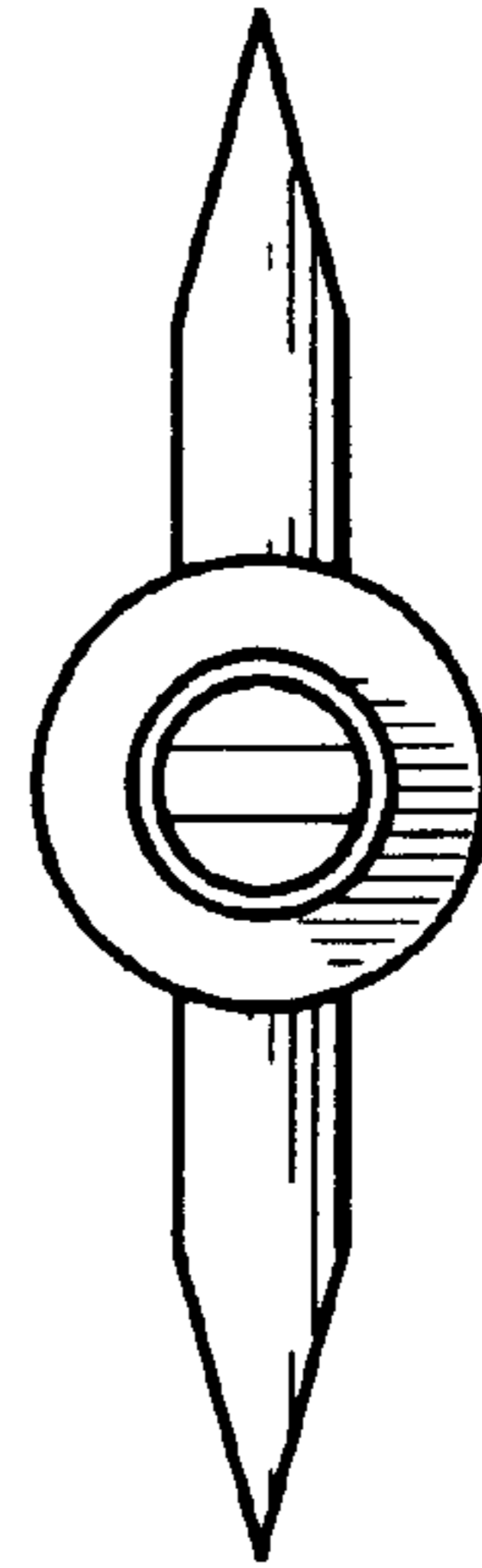


Fig. 4

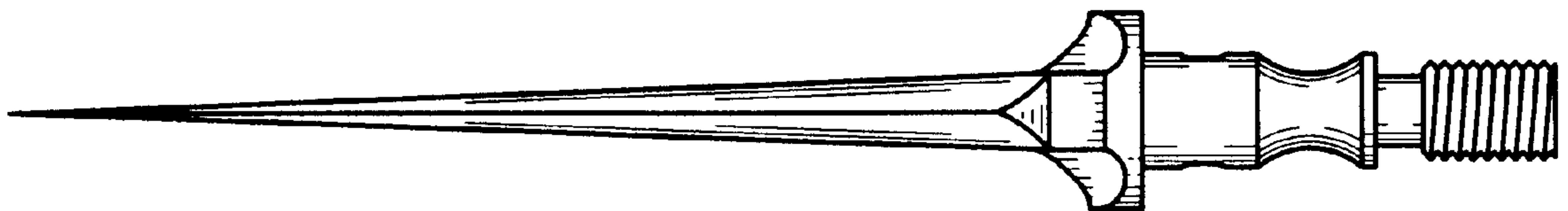


Fig. 5