



US00D471615S

(12) **United States Design Patent**
Kysilka

(10) **Patent No.:** **US D471,615 S**

(45) **Date of Patent:** **** Mar. 11, 2003**

(54) **SLING BOW WITH RIGID GUIDE TUBES AND UNIVERSAL FRAME FOR PROPELLING A CONVENTIONAL OR FISHING ARROW**

(76) **Inventor:** **James O. Kysilka**, 15413 E. Highway 94, Rogers, AR (US) 72758

(**) **Term:** **14 Years**

(21) **Appl. No.:** **29/165,248**

(22) **Filed:** **Aug. 6, 2002**

(51) **LOC (7) Cl.** **23-01**

(52) **U.S. Cl.** **D22/107; D22/106**

(58) **Field of Search** **D22/100, 106, D22/107, 199; D21/571; 124/16, 17, 18, 20.1, 20.2, 20.3, 86, 22, 89; 473/583, 578**

(56) **References Cited**

U.S. PATENT DOCUMENTS

- 3,749,075 A * 7/1973 Saunders 124/20.1
- 4,458,658 A * 7/1984 Blair 124/20.1
- D378,228 S * 2/1997 Kysilka D22/107
- 5,752,495 A * 5/1998 Tuller et al. 124/20.2

5,762,056 A * 6/1998 Kysilka 124/20.1 X

* cited by examiner

Primary Examiner—Louis S. Zarfaz

Assistant Examiner—Monica A. Weingart

(74) *Attorney, Agent, or Firm*—IPLM Group, P.A.

(57) **CLAIM**

The ornamental design for sling bow with rigid guide tubes and universal frame for propelling a conventional or fishing arrow, as shown and described.

DESCRIPTION

FIG. 1 is a perspective view as seen from the right side and above the sling bow with rigid guide tubes and universal frame for propelling a conventional or fishing arrow, showing my new design;

FIG. 2 is a right side elevational view of FIG. 1;

FIG. 3 is a left side elevational view of FIG. 1;

FIG. 4 is a front elevational view of FIG. 1;

FIG. 5 is a rear elevational view of FIG. 1;

FIG. 6 is a top view of FIG. 1; and,

FIG. 7 is a bottom view of FIG. 1.

1 Claim, 6 Drawing Sheets

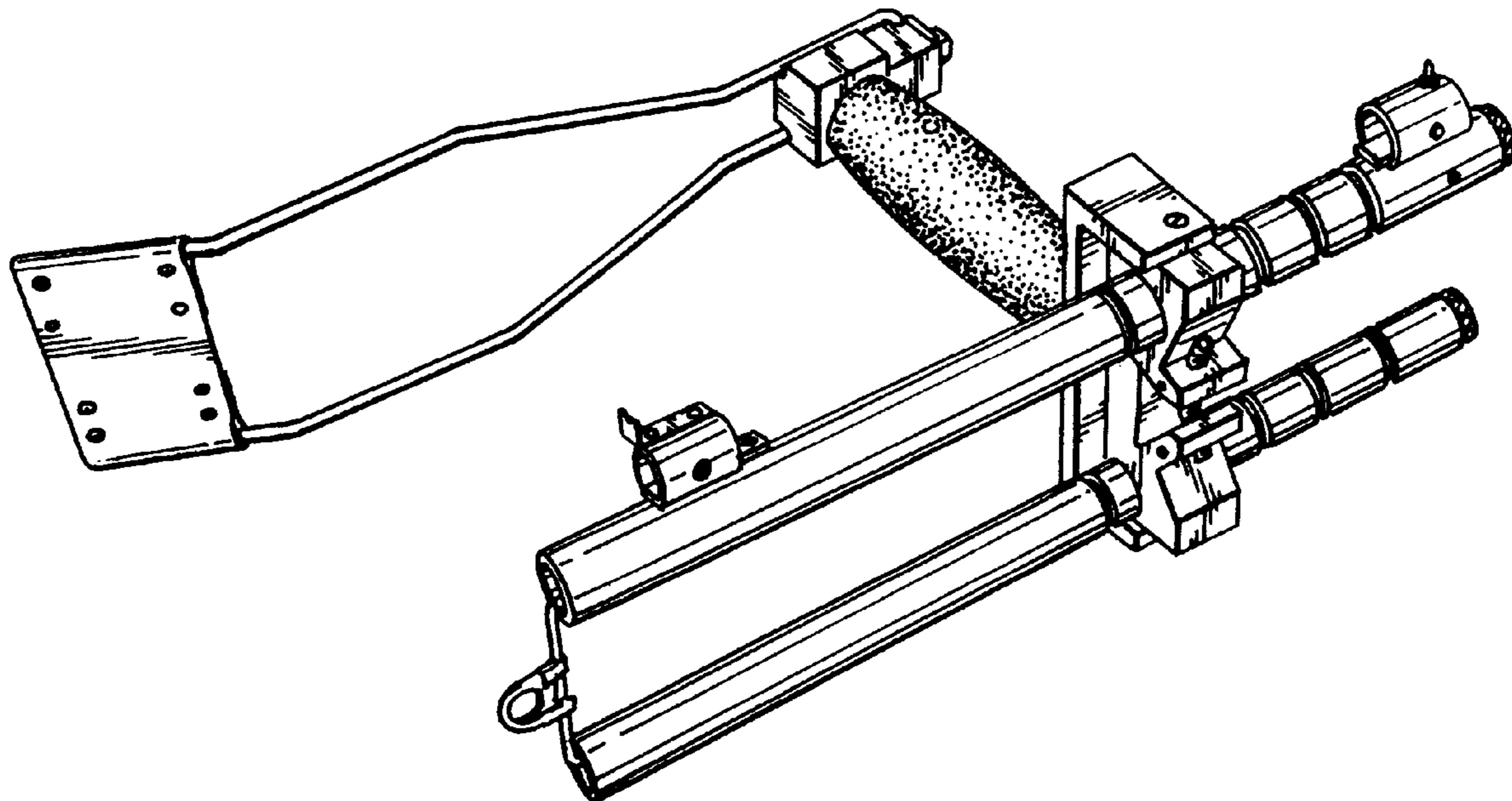


FIG. 1

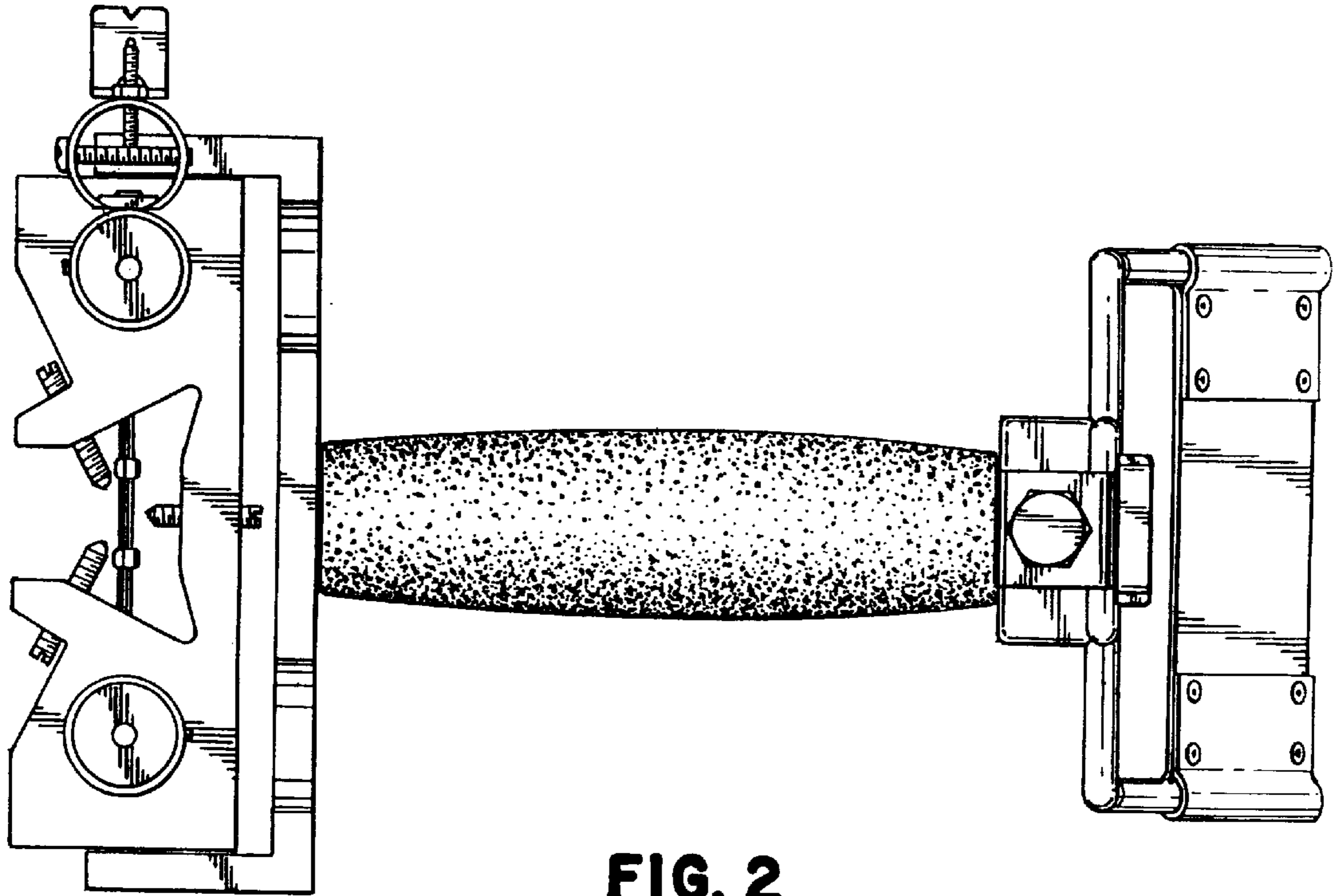
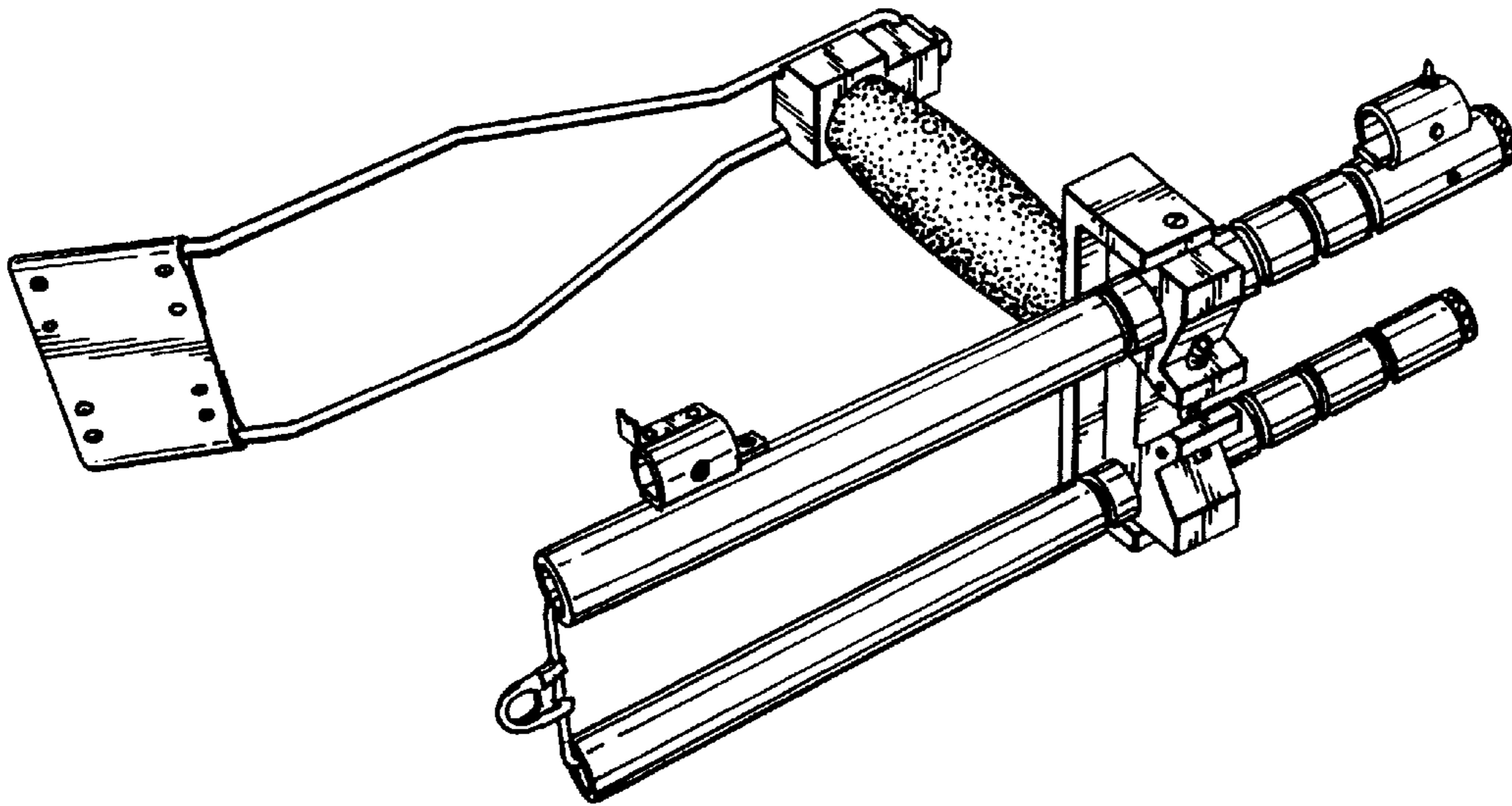


FIG. 2

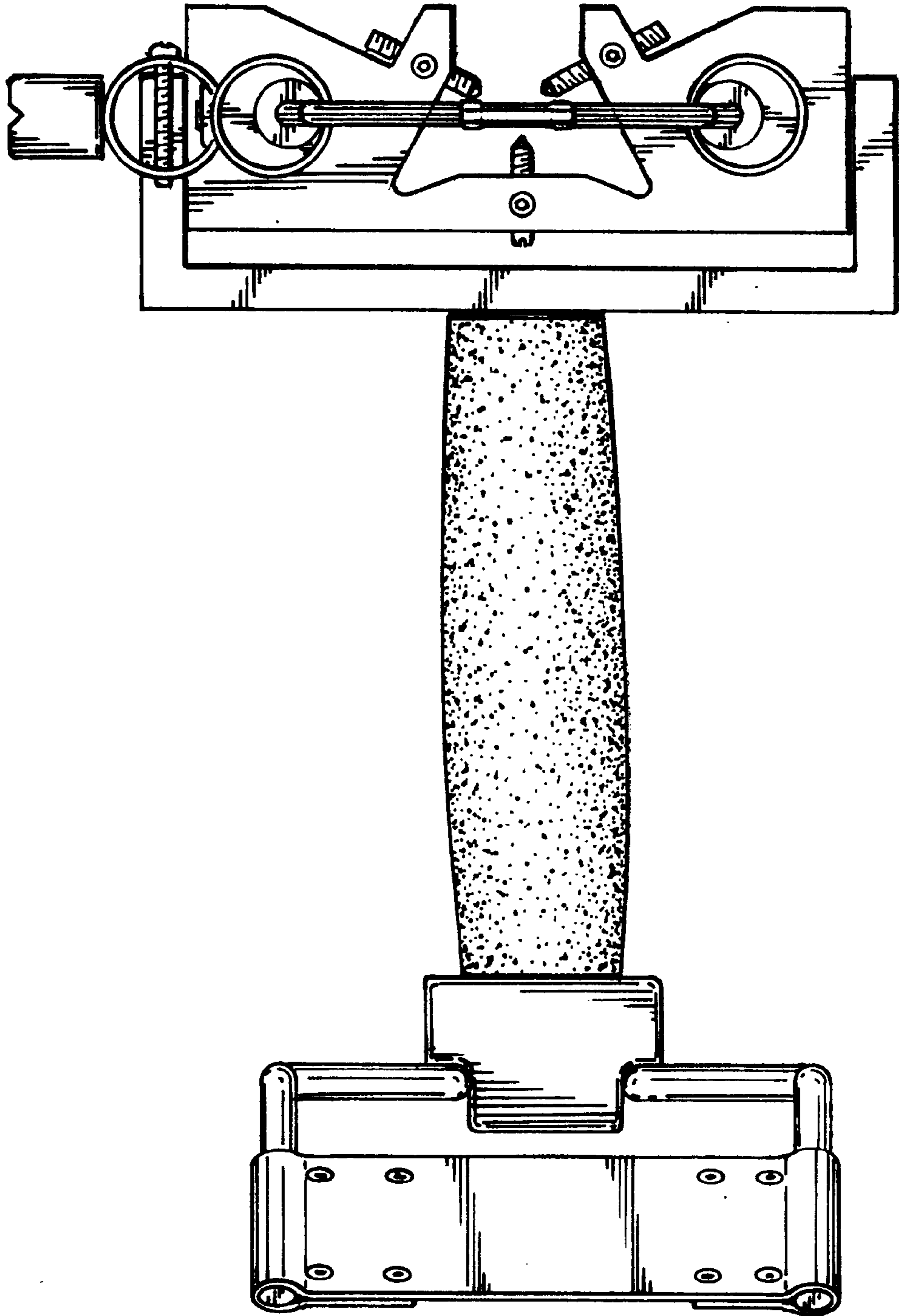


FIG. 3

FIG. 4

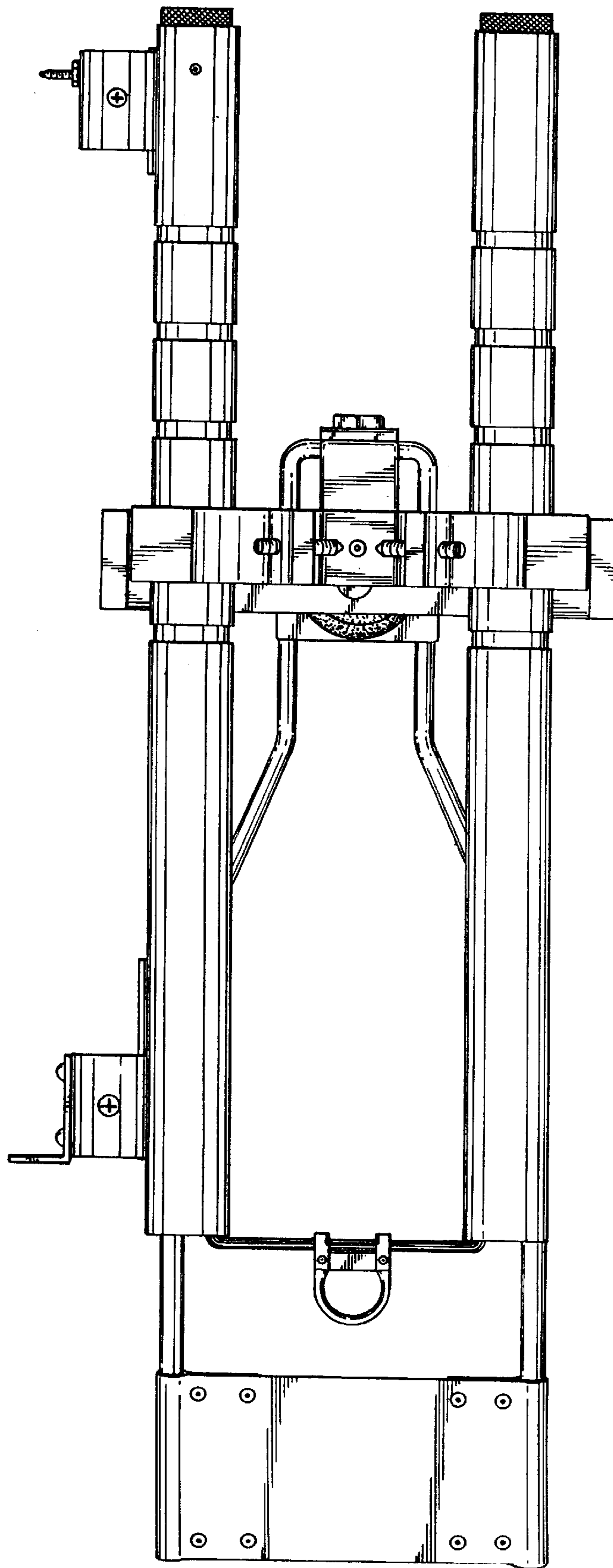


FIG. 5

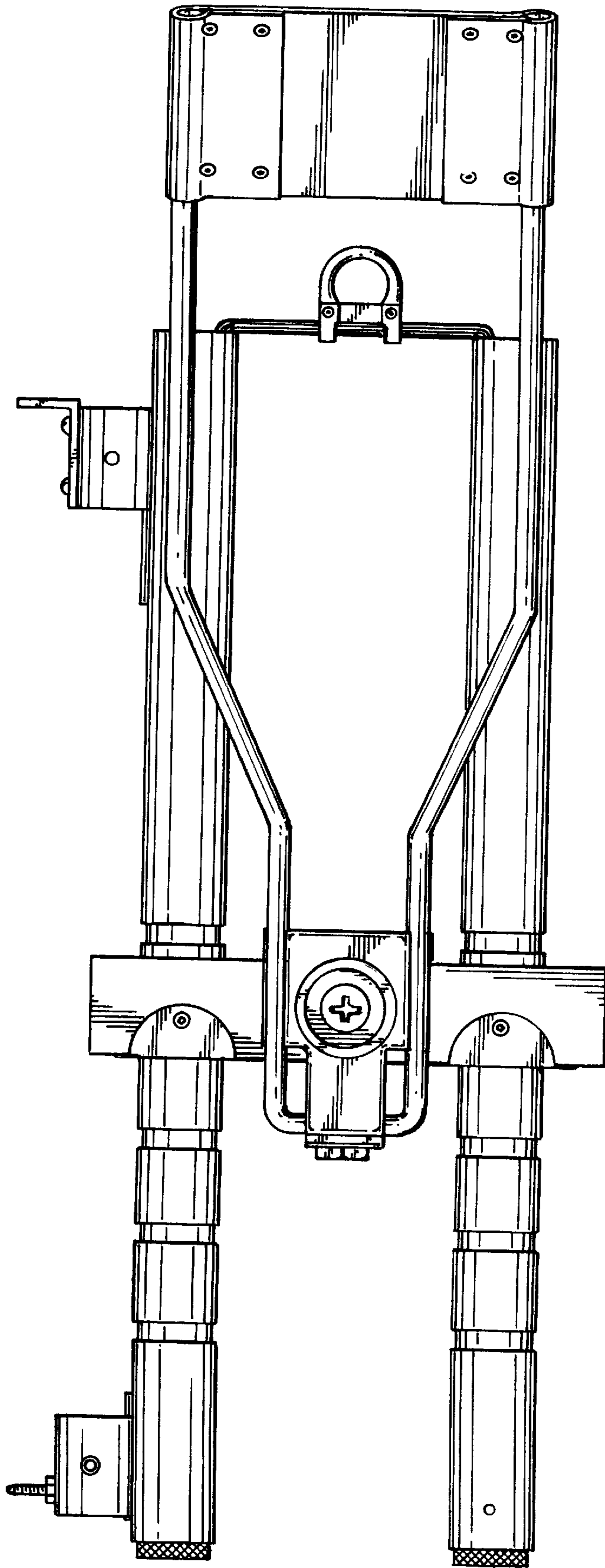
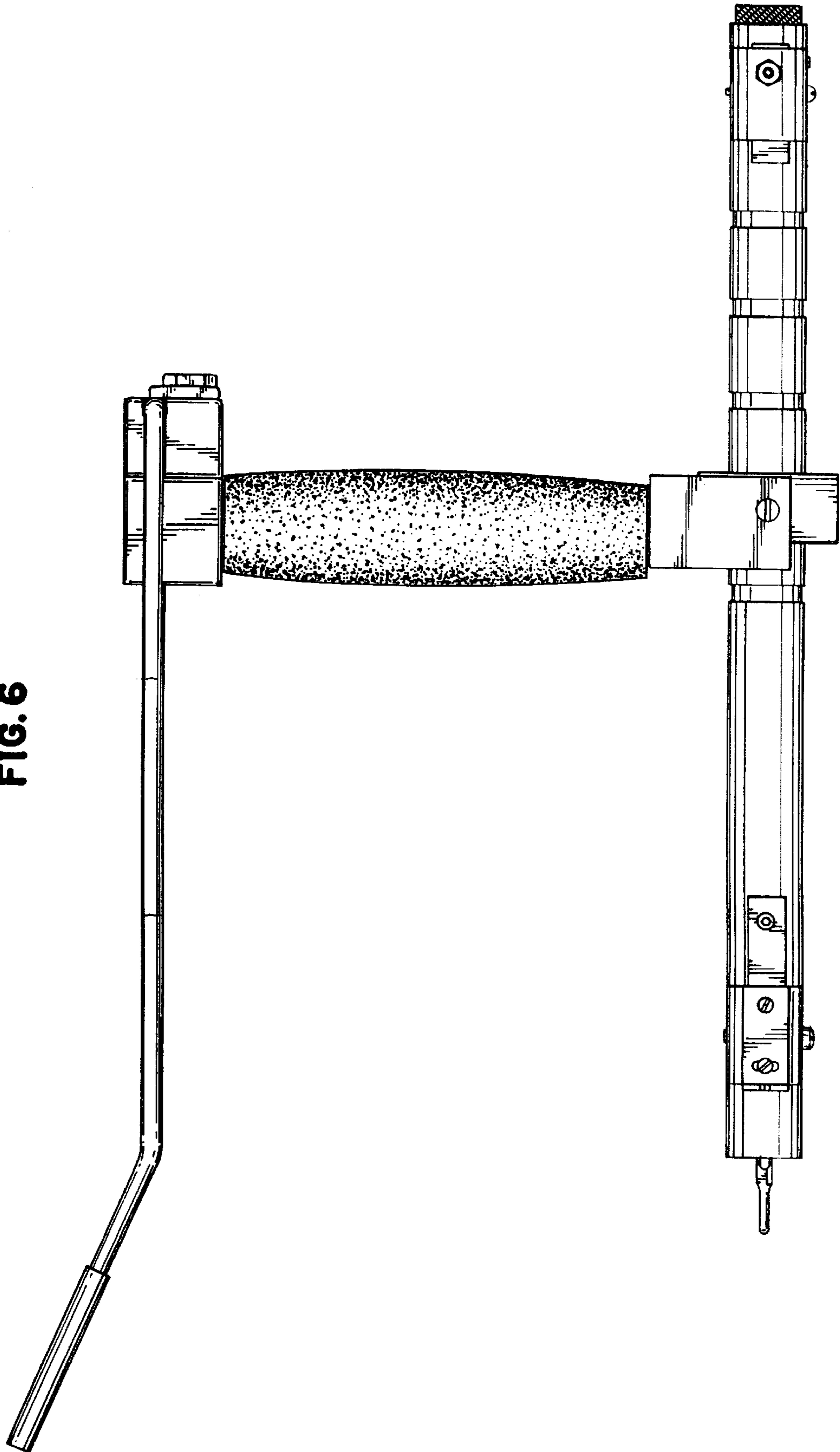


FIG. 6



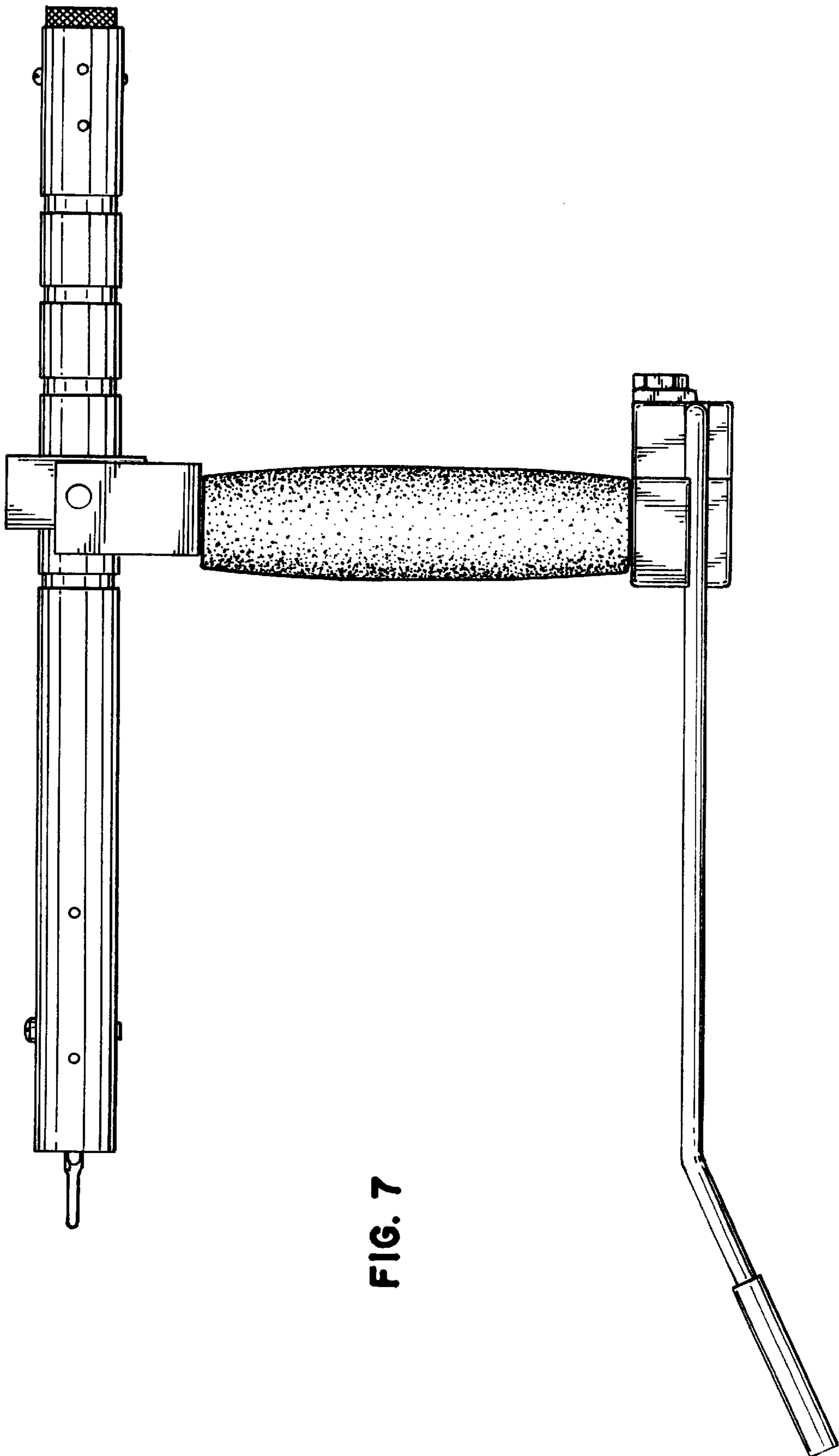


FIG. 7