



US00D471614S

(12) **United States Design Patent**  
**Arias**

(10) **Patent No.:** **US D471,614 S**

(45) **Date of Patent:** **\*\* Mar. 11, 2003**

(54) **BABY FLOAT**

(75) **Inventor:** **David A. Arias**, Virginia Beach, VA  
(US)

(73) **Assignee:** **Swimways Corp.**, Virginia Beach, VA  
(US)

(\*\*) **Term:** **14 Years**

(21) **Appl. No.:** **29/164,157**

(22) **Filed:** **Jul. 18, 2002**

(51) **LOC (7) Cl.** ..... **21-02**

(52) **U.S. Cl.** ..... **D21/803**

(58) **Field of Search** ..... D21/803, 801,  
D21/804, 760, 769, 770, 809; D12/316;  
441/129-132, 66, 67, 79, 40, 43, 35, 37,  
81, 88; 114/345, 346; 472/129

(56) **References Cited**

**U.S. PATENT DOCUMENTS**

- 1,190,743 A \* 7/1916 Fageol ..... 441/131
- 1,748,170 A \* 2/1930 Chesnut ..... 441/131
- 1,838,086 A \* 12/1931 Farnstrom ..... 441/131

- 1,960,474 A \* 5/1934 Browne ..... 441/129
- 2,075,374 A \* 3/1937 Tucker ..... 441/131
- D110,540 S \* 7/1938 Grant et al. .... D21/803
- 2,124,062 A \* 7/1938 Grant et al. .... 441/40
- 6,126,504 A \* 10/2000 Day ..... 441/131

\* cited by examiner

*Primary Examiner*—Lucy Lieberman

(74) *Attorney, Agent, or Firm*—Kaufman & Canoles

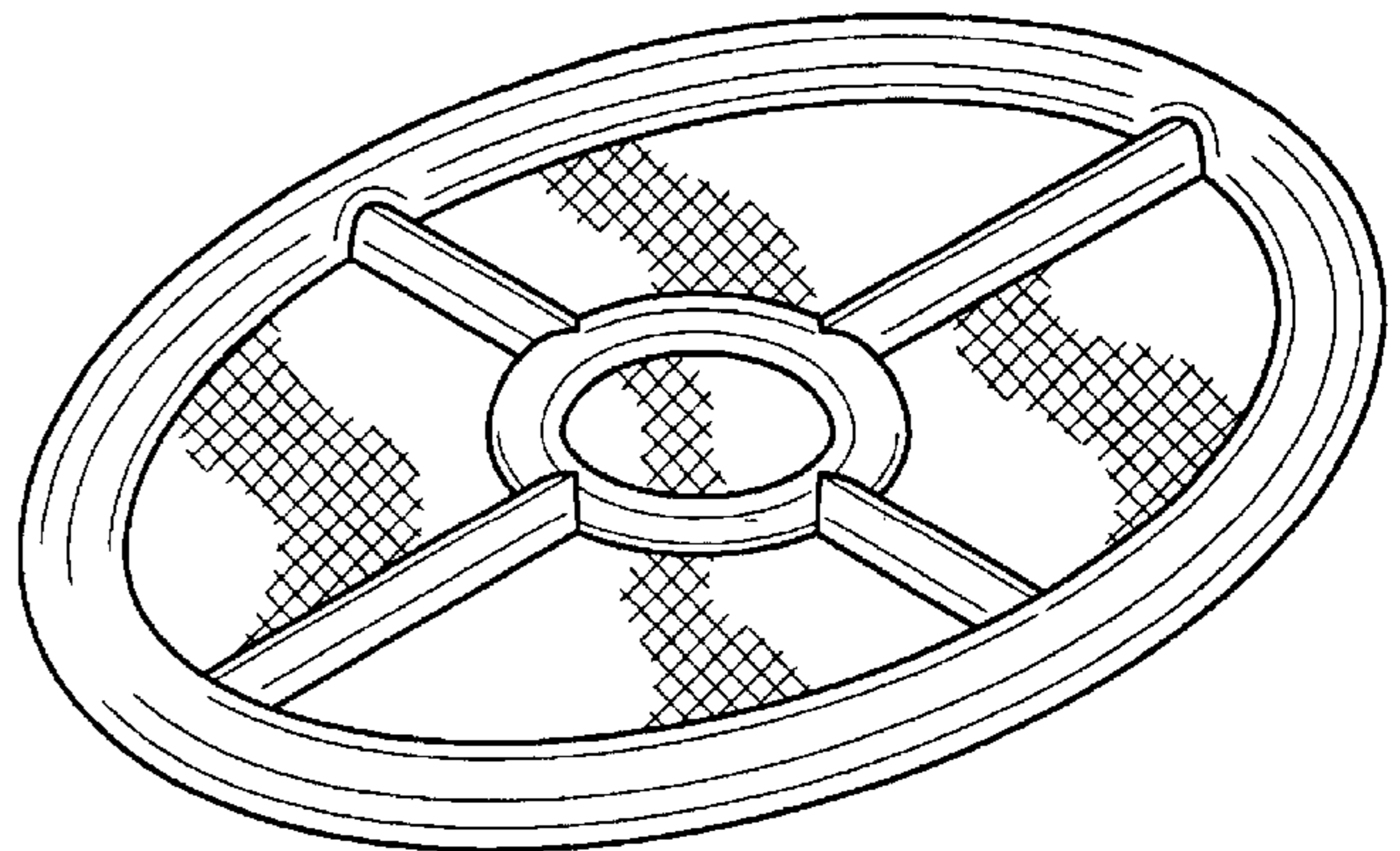
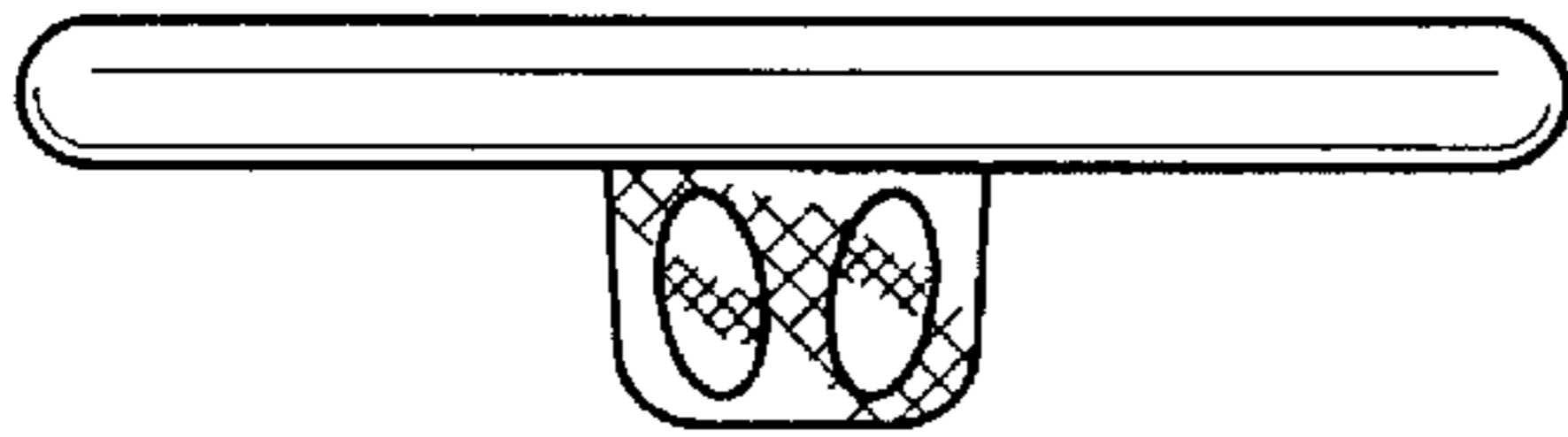
(57) **CLAIM**

The ornamental design for a baby float, as shown and described.

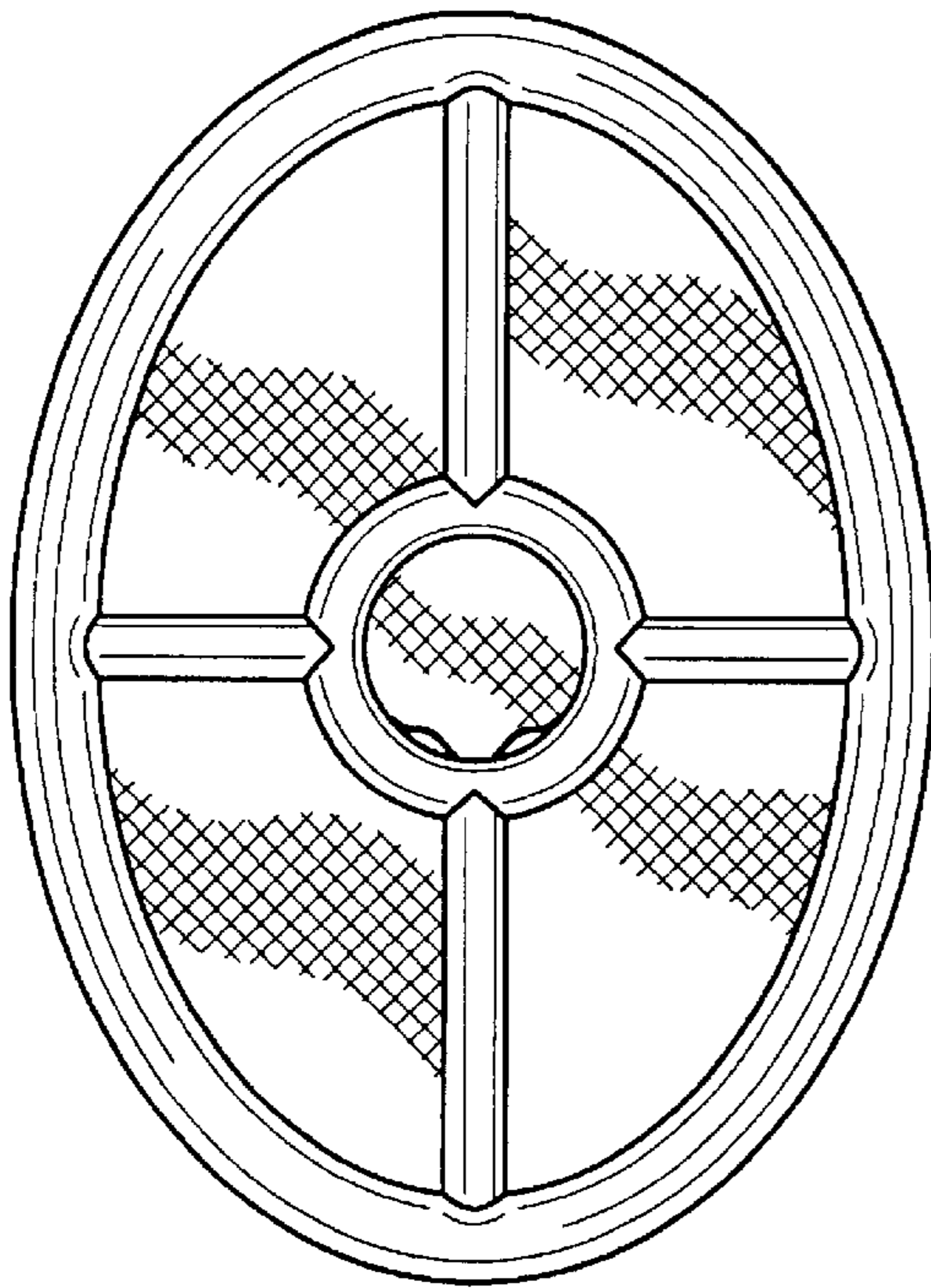
**DESCRIPTION**

FIG. 1 is a top plan view of a baby float;  
 FIG. 2 is a front elevational view thereof;  
 FIG. 3 is a right side view thereof;  
 FIG. 4 is a top perspective view thereof;  
 FIG. 5 is a bottom perspective view thereof;  
 FIG. 6 is a bottom plan view thereof;  
 FIG. 7 is a rear elevational view thereof; and,  
 FIG. 8 is a left side view thereof.

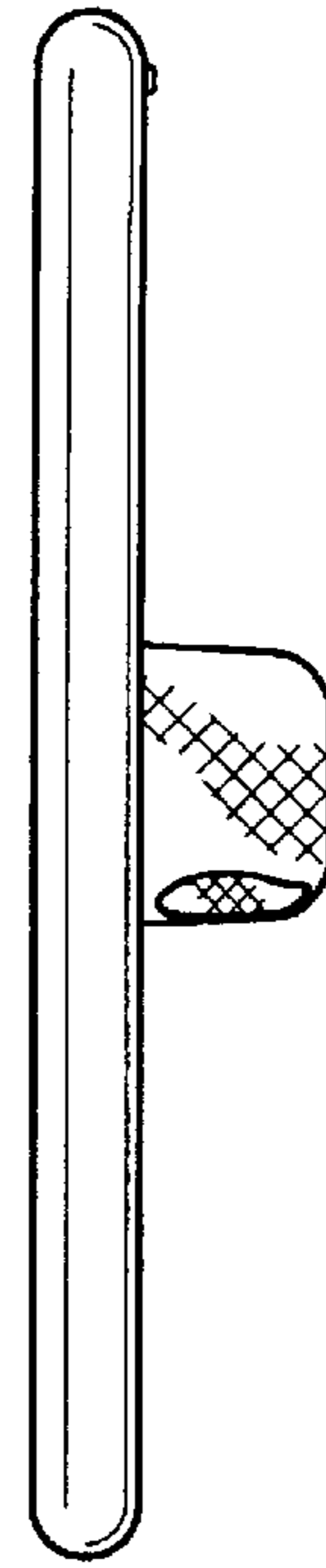
**1 Claim, 2 Drawing Sheets**



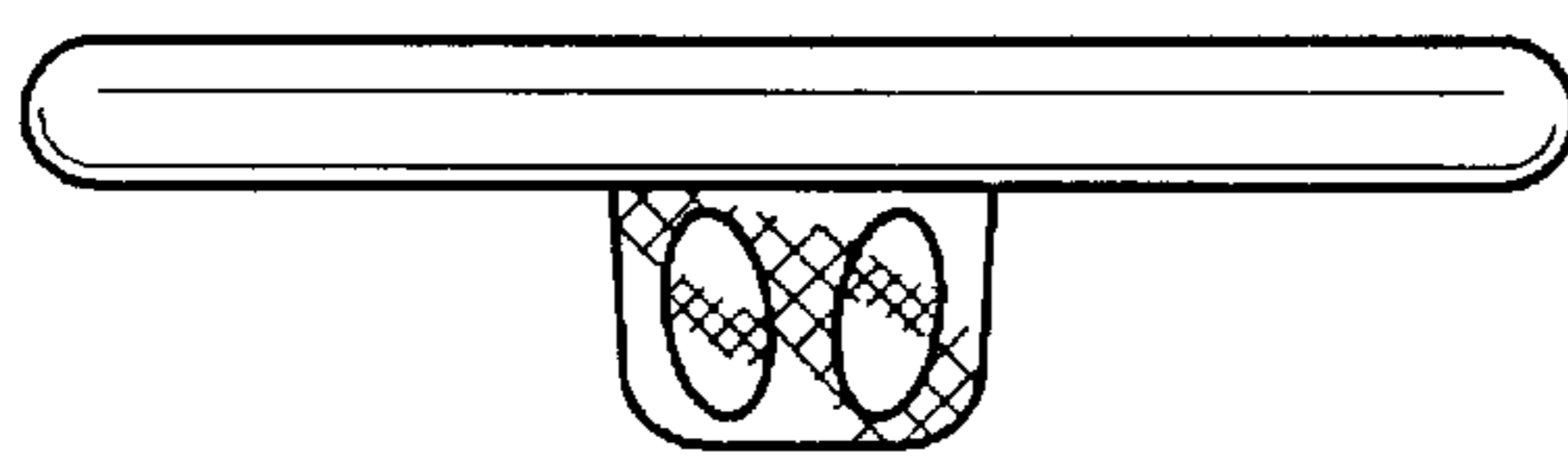
*FIG. 1*



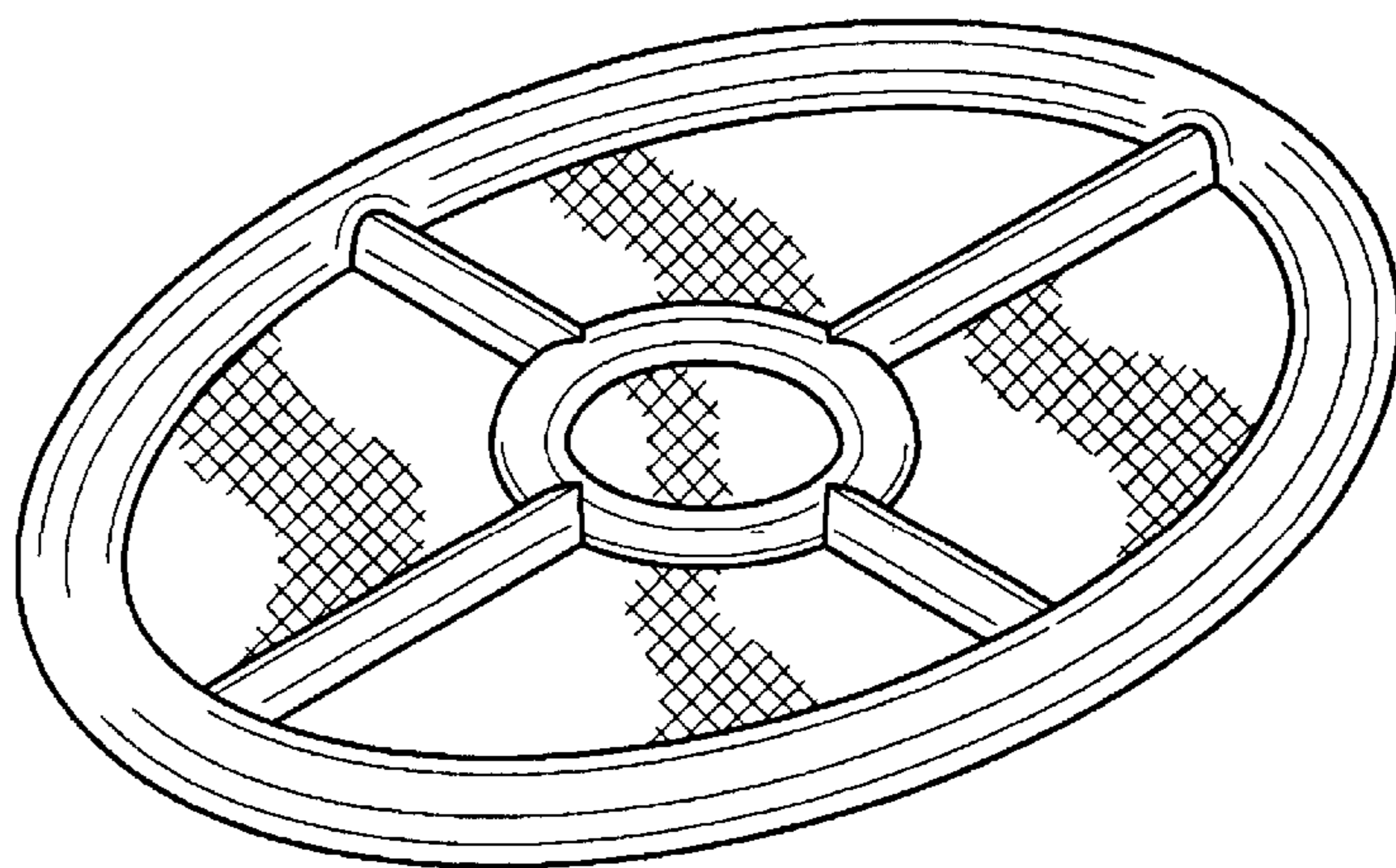
*FIG. 3*



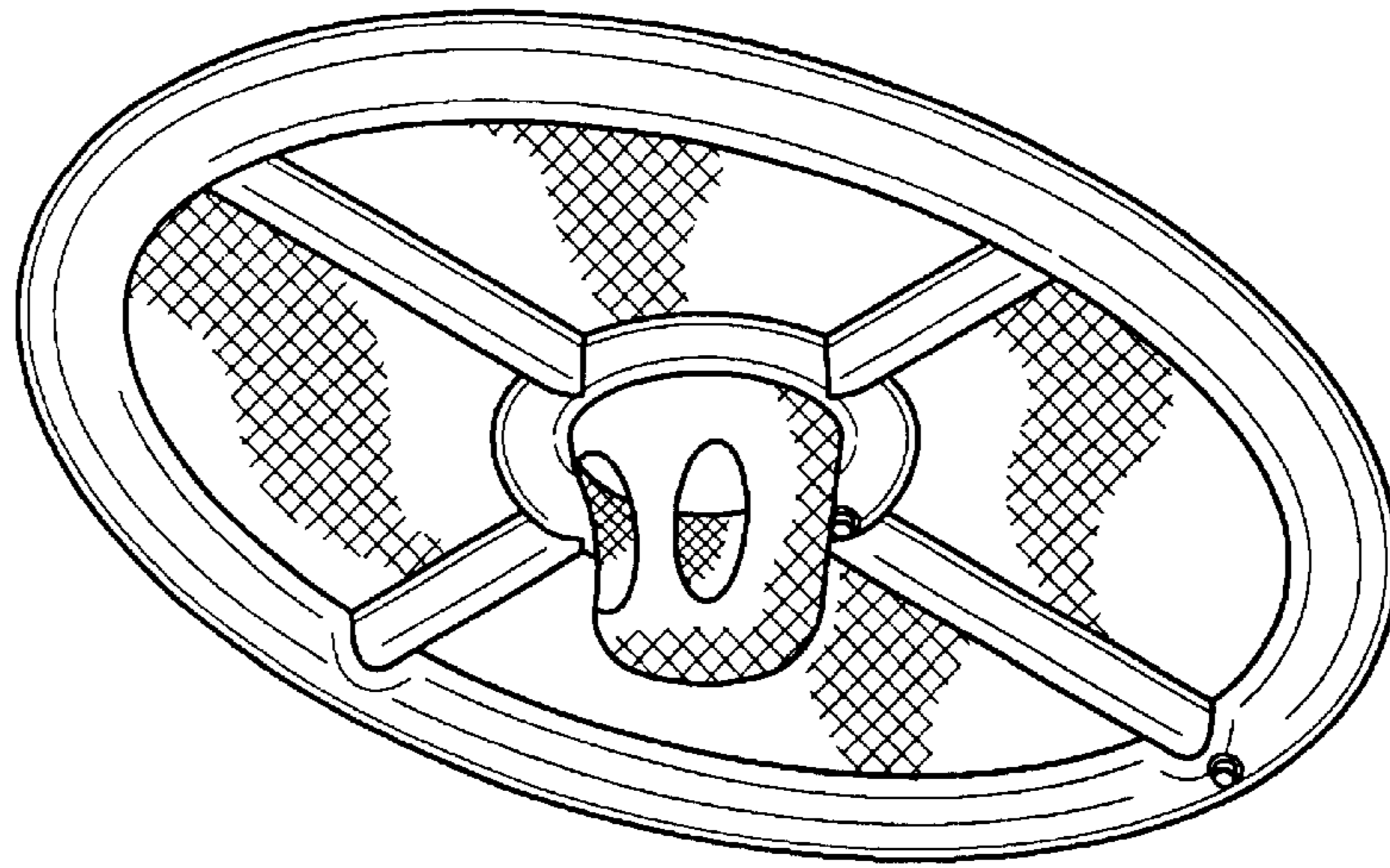
*FIG. 2*



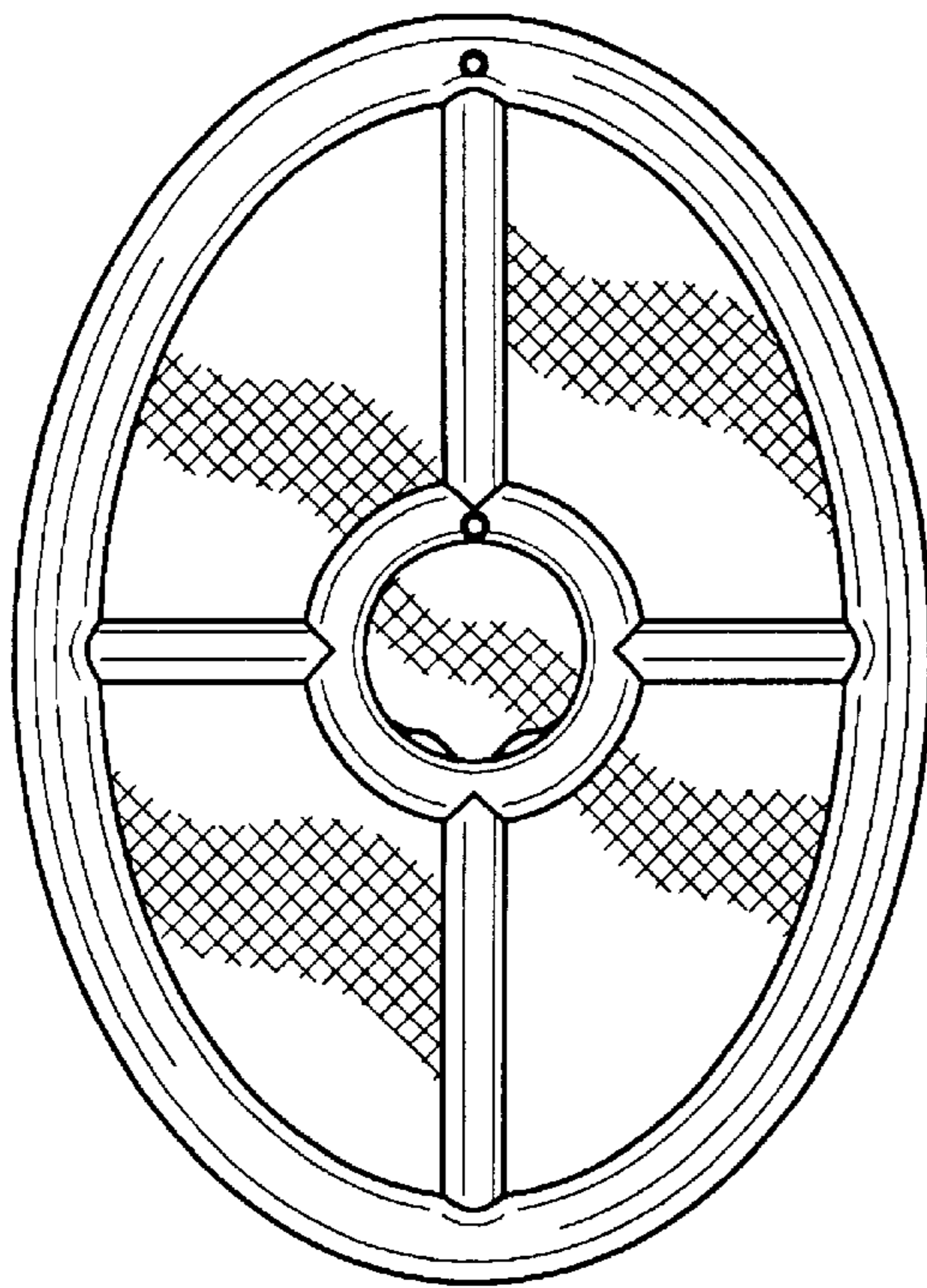
*FIG. 4*



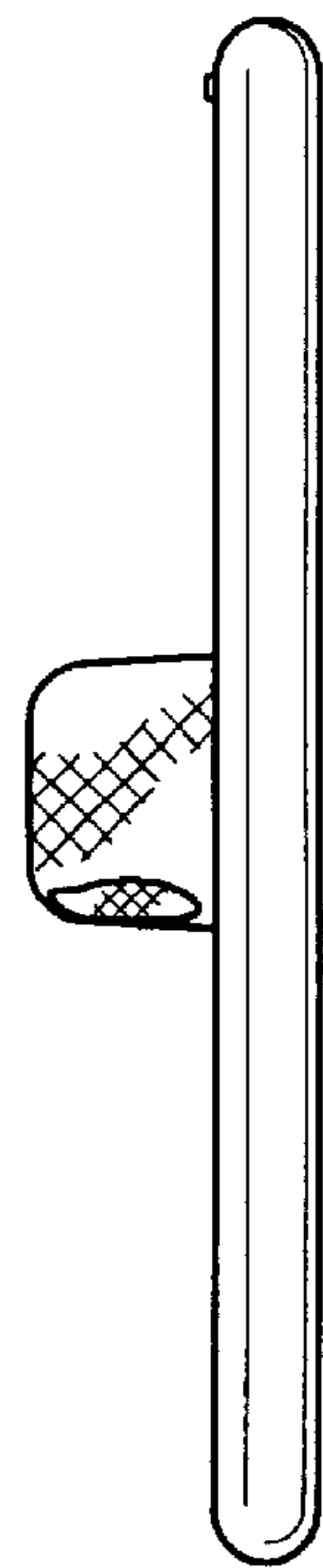
*FIG.5*



*FIG.6*



*FIG.8*



*FIG.7*

