



US00D471601S

(12) **United States Design Patent**
Choi

(10) **Patent No.:** **US D471,601 S**

(45) **Date of Patent:** **** Mar. 11, 2003**

(54) **TOY LAMP**

(75) Inventor: **Ok Soo Choi**, Los Angeles, CA (US)

(73) Assignee: **Mattel, Inc.**, El Segundo, CA (US)

(**) Term: **14 Years**

(21) Appl. No.: **29/161,528**

(22) Filed: **May 31, 2002**

(51) **LOC (7) Cl.** **21-01**

(52) **U.S. Cl.** **D21/519; D21/483**

(58) **Field of Search** **D21/483, 519-528;**
D26/93-112; 446/485, 219, 479

(56) **References Cited**

U.S. PATENT DOCUMENTS

- 3,606,696 A * 9/1971 Berman
- D243,710 S * 3/1977 Angeles
- 4,547,171 A * 10/1985 Horimoto 446/485
- 4,942,502 A * 7/1990 Ohashi
- D315,221 S * 3/1991 Chao et al. D26/98

- 5,114,376 A * 5/1992 Copley et al. 446/485
- D397,488 S * 8/1998 Ball et al.
- 6,155,901 A * 12/2000 Chen 446/485
- 6,431,729 B1 * 8/2002 Chen 446/219

* cited by examiner

Primary Examiner—Raphael Barkai

(74) *Attorney, Agent, or Firm*—Roy A. Ekstrand

(57) **CLAIM**

The ornamental design for a toy lamp, as shown and described.

DESCRIPTION

FIG. 1 sets forth a front view of a toy lamp showing the present invention new design;
 FIG. 2 is a right side view thereof, the left side being a mirror image thereof;
 FIG. 3 is a rear view thereof;
 FIG. 4 is a top view thereof; and,
 FIG. 5 is a bottom view thereof.

1 Claim, 2 Drawing Sheets

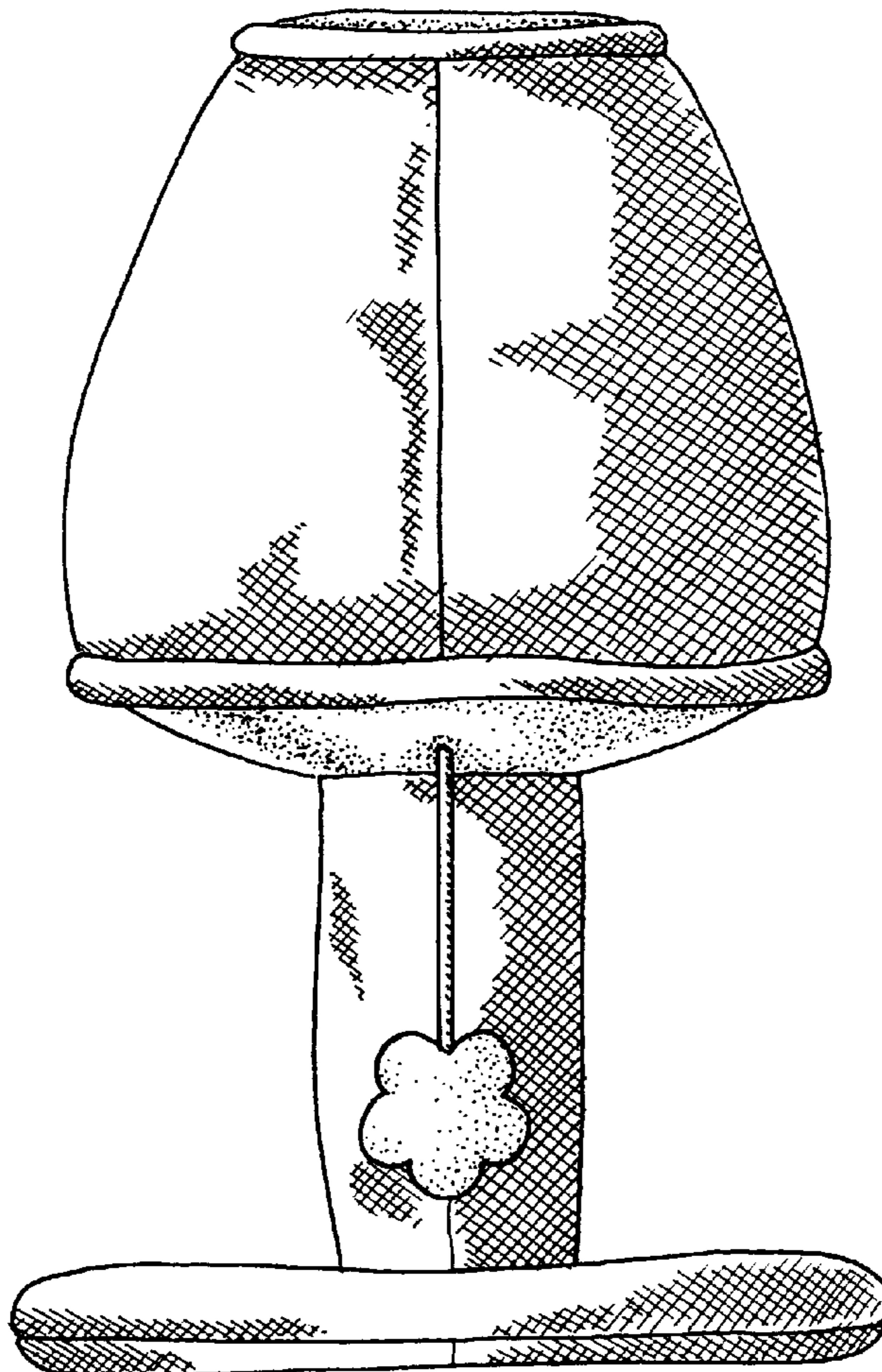


FIG. 2

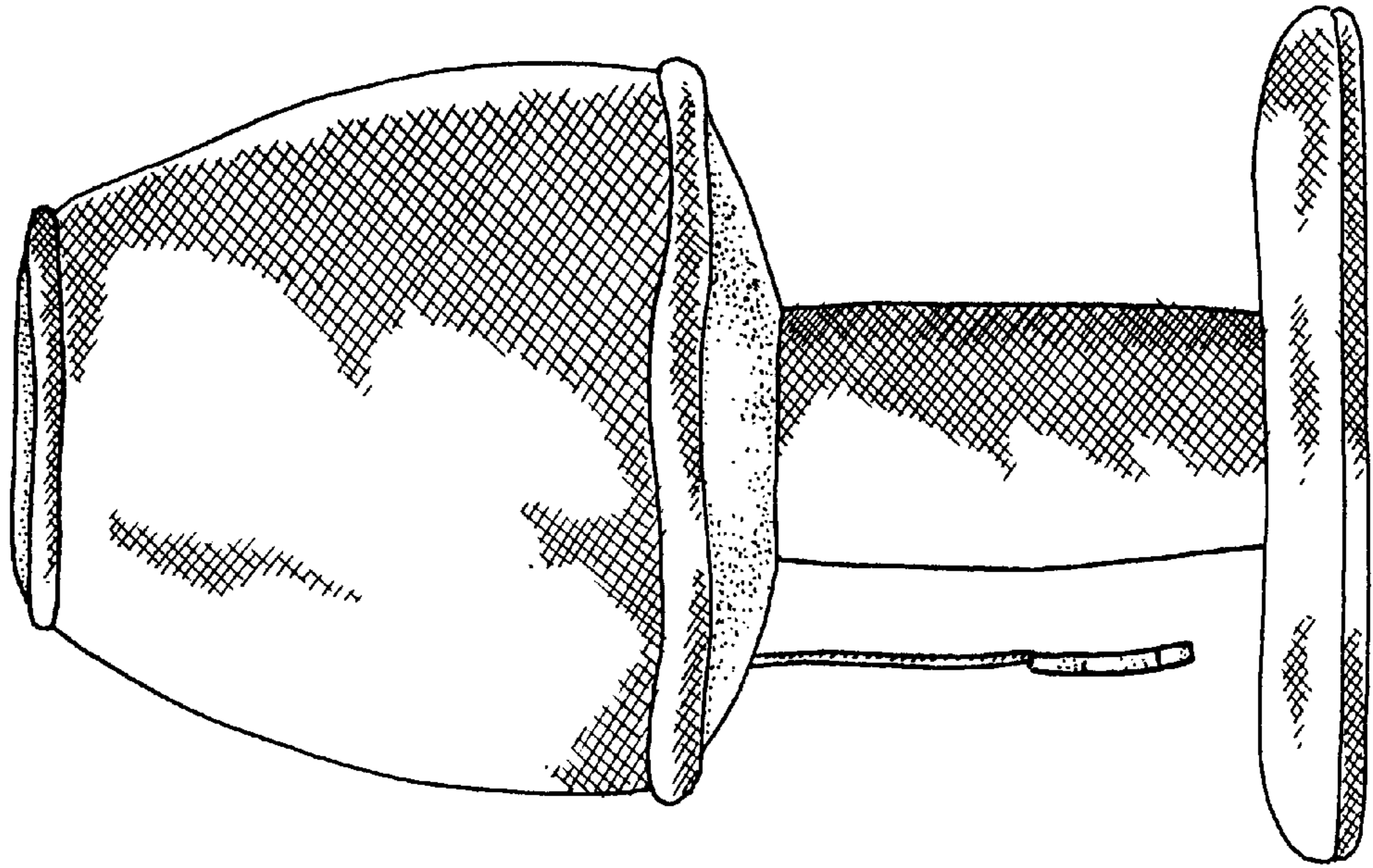


FIG. 1

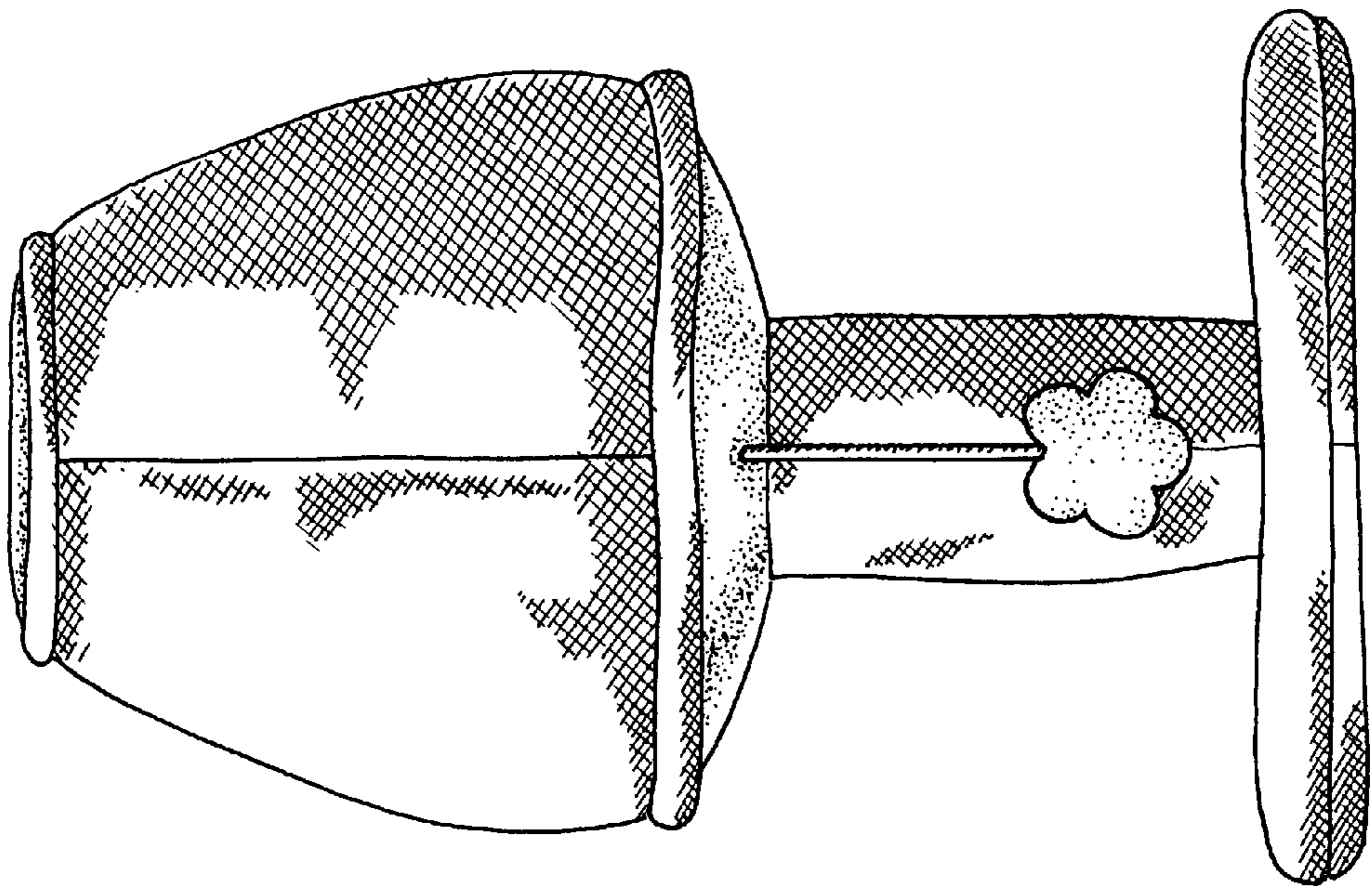


FIG. 4

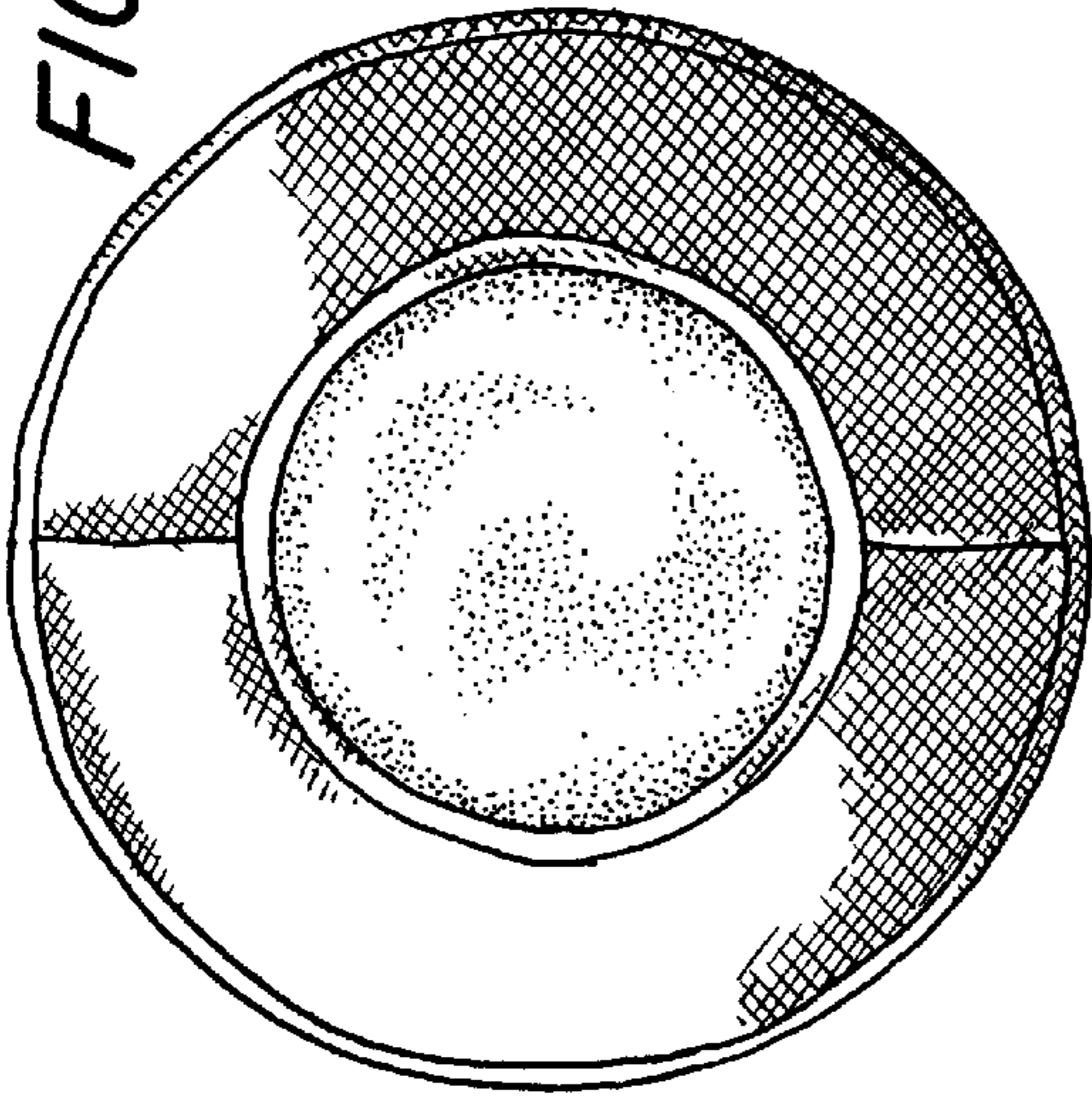


FIG. 5

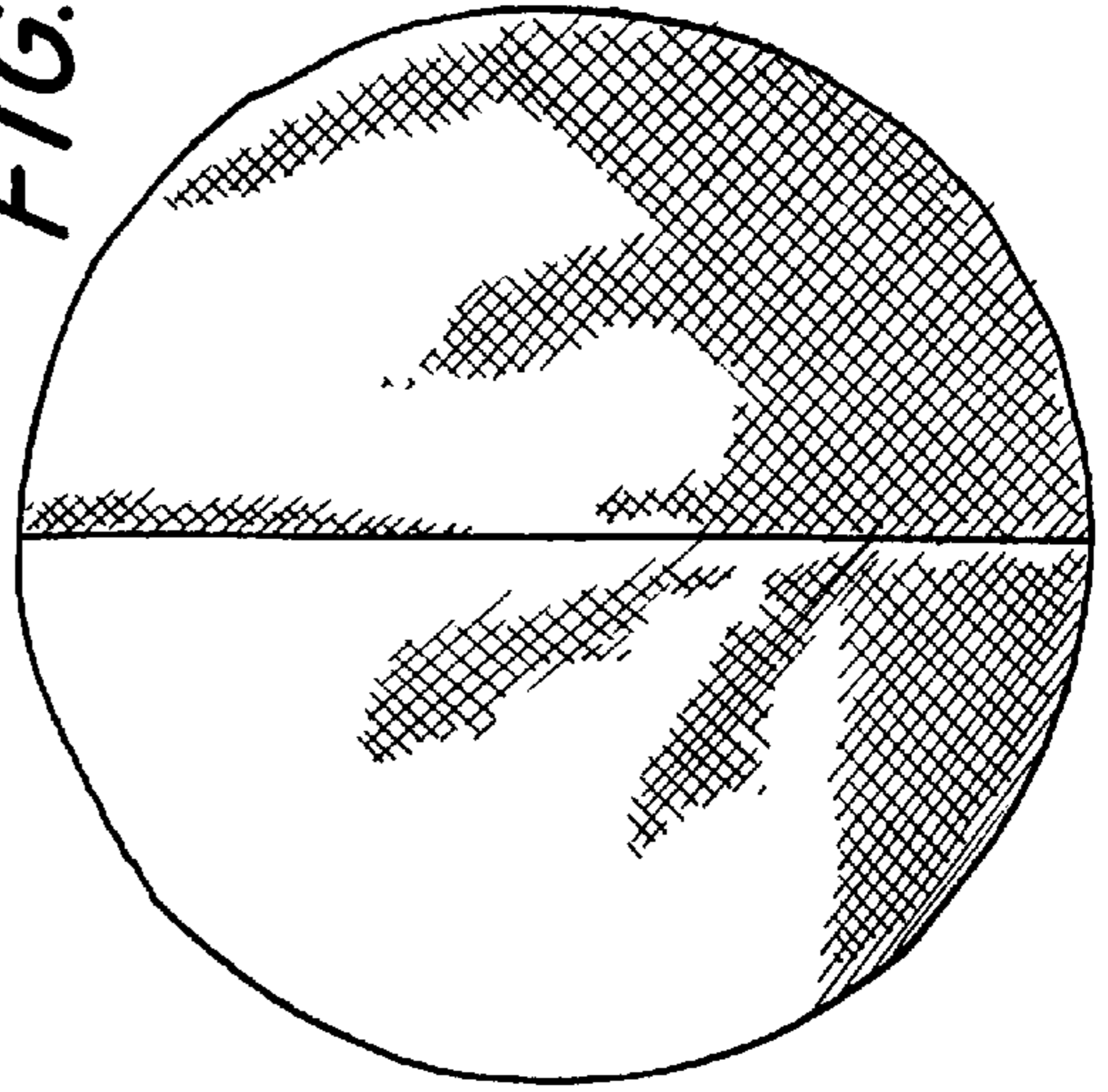


FIG. 3

