



US00D471598S

(12) **United States Design Patent**
Chen

(10) **Patent No.:** **US D471,598 S**

(45) **Date of Patent:** **** Mar. 11, 2003**

(54) **SCOOTER BOARD**

(75) Inventor: **Ting-Hsing Chen**, Tainan Hsien (TW)

(73) Assignee: **Far Great Plastics Industrial Co., Ltd.**, Tainan Hsien (TW)

(**) Term: **14 Years**

(21) Appl. No.: **29/165,423**

(22) Filed: **Aug. 12, 2002**

(51) **LOC (7) Cl.** **21-01**

(52) **U.S. Cl.** **D21/423**

(58) **Field of Search** D21/419, 421, D21/423, 424, 426, 435, 533, 760, 765, 771; D12/107, 110-112; 280/87.01, 87.021, 87.041, 87.042; 180/181, 216

(56) **References Cited**

U.S. PATENT DOCUMENTS

D443,000 S * 5/2001 Chen D21/423
D453,803 S * 2/2002 Yann et al. D21/423

D453,804 S * 2/2002 Robinson D21/423
D459,761 S * 7/2002 Chen D21/423
6,416,060 B1 * 7/2002 Chen 280/87.041

* cited by examiner

Primary Examiner—Raphael Barkai

(74) *Attorney, Agent, or Firm*—Rosenberg, Klein & Lee

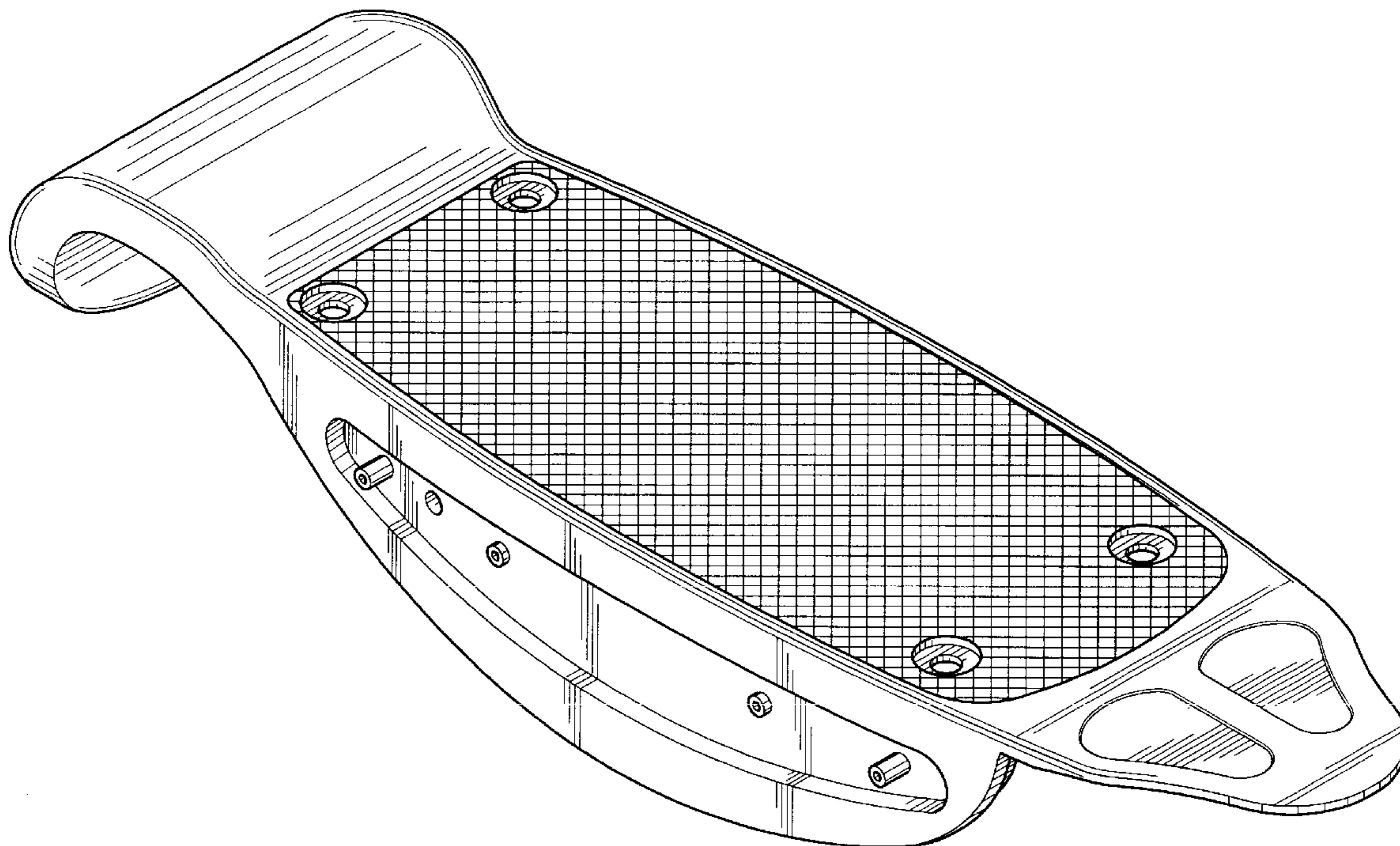
(57) **CLAIM**

The ornamental design for a scooter board, as shown and described.

DESCRIPTION

FIG. 1 is a perspective view of a scooter board showing my present design;
FIG. 2 is a front view thereof;
FIG. 3 is a rear view thereof;
FIG. 4 is a left view thereof;
FIG. 5 is a right view thereof;
FIG. 6 is a top plan view thereof, and,
FIG. 7 is a bottom plan view.

1 Claim, 5 Drawing Sheets



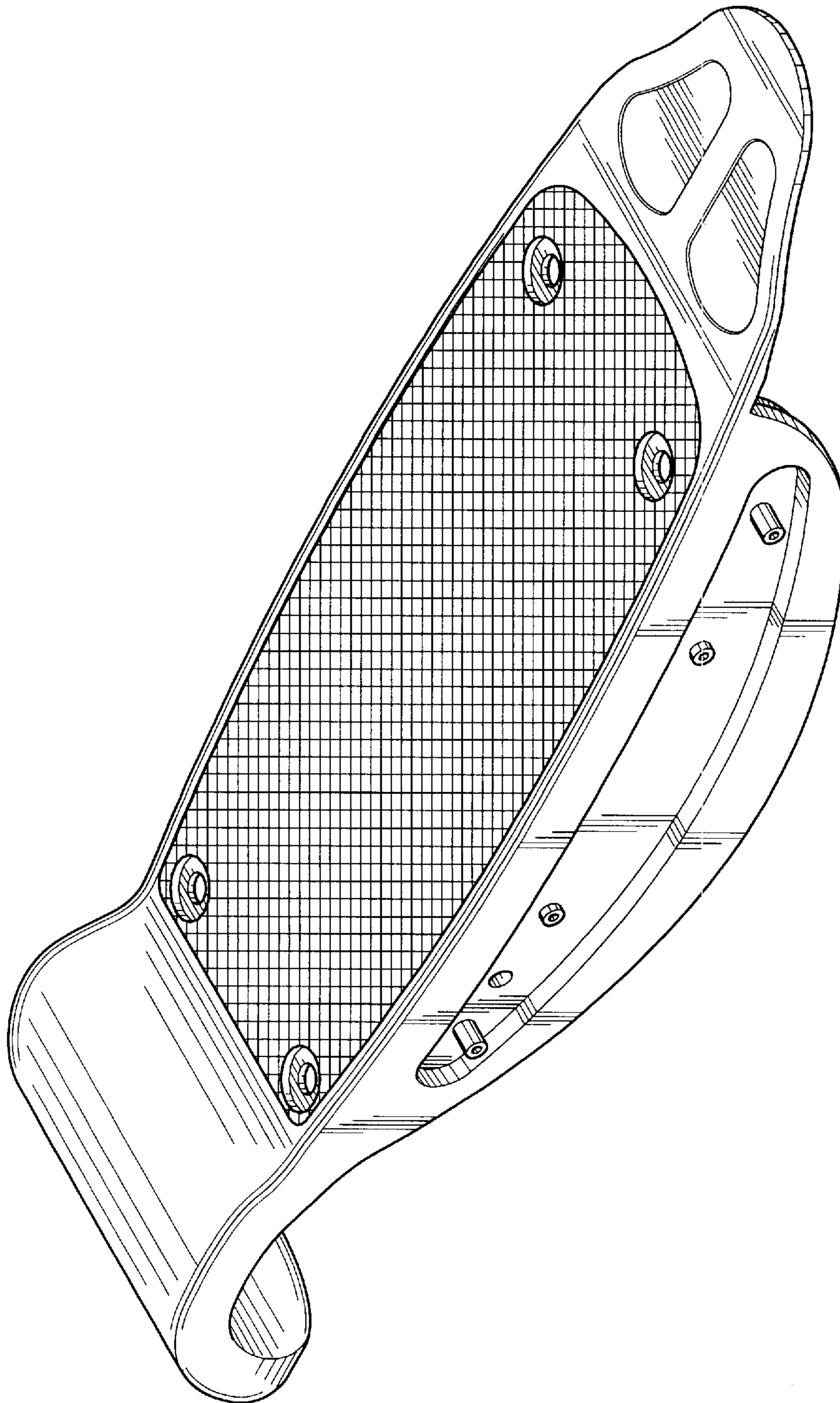


FIG. 1

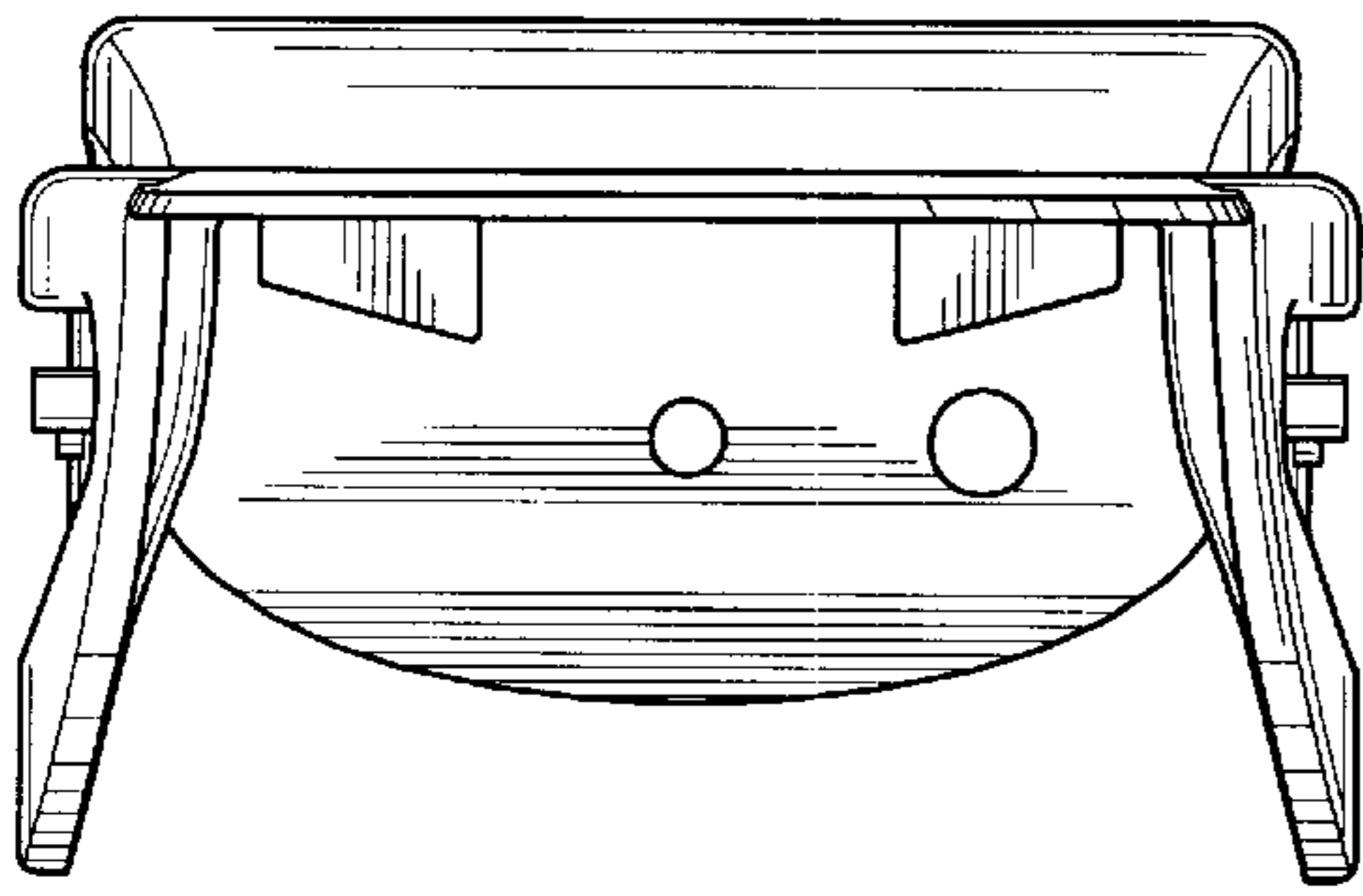


FIG. 2

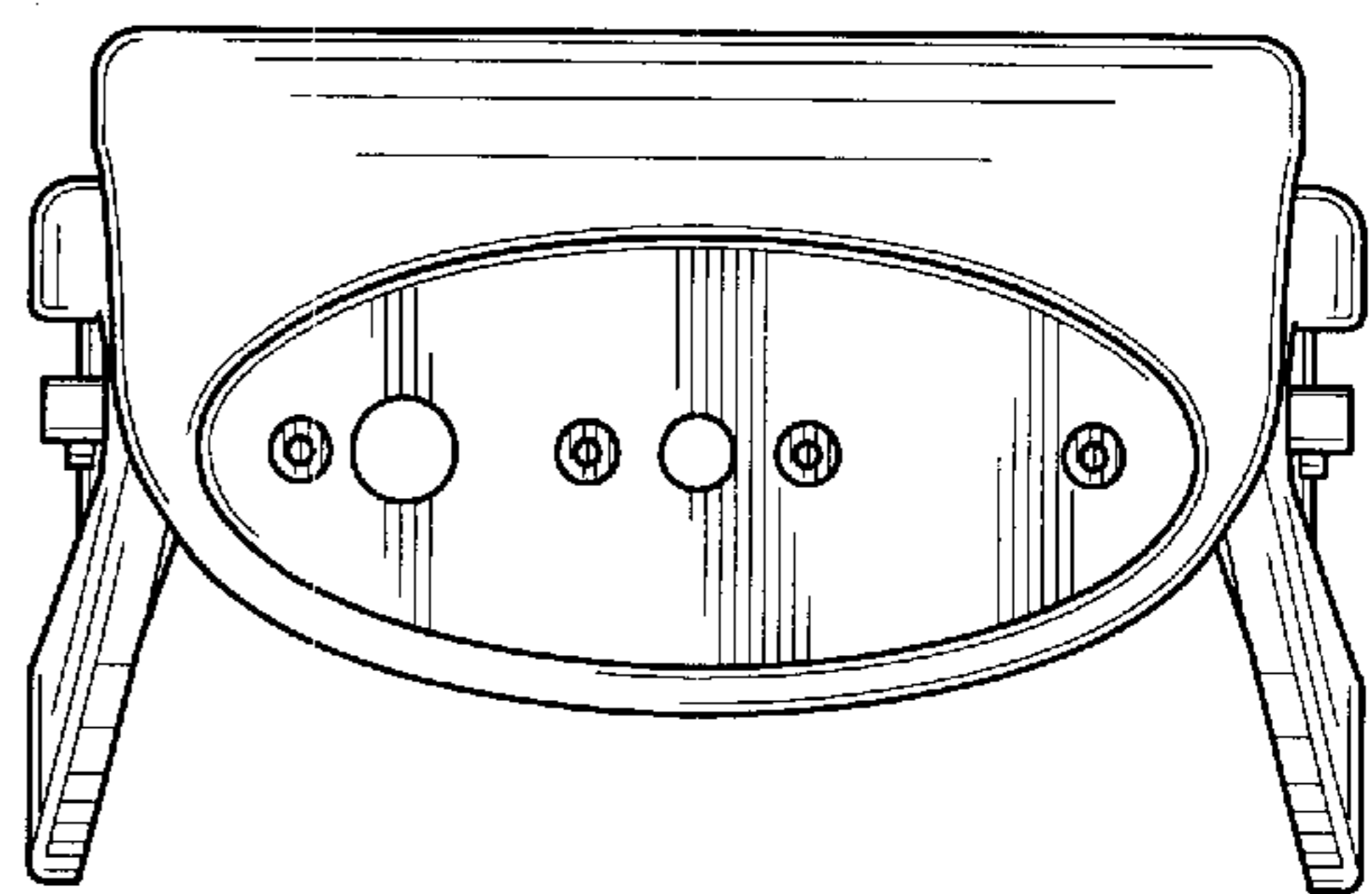


FIG. 3

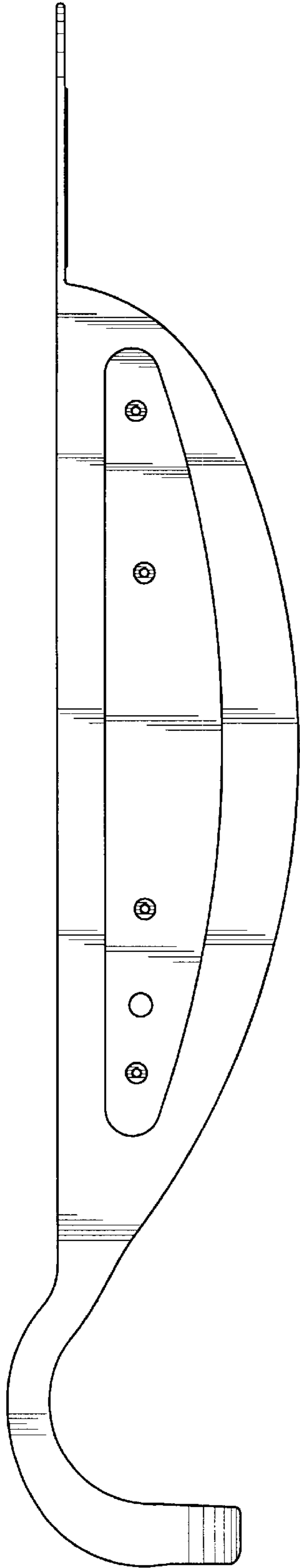


FIG. 4

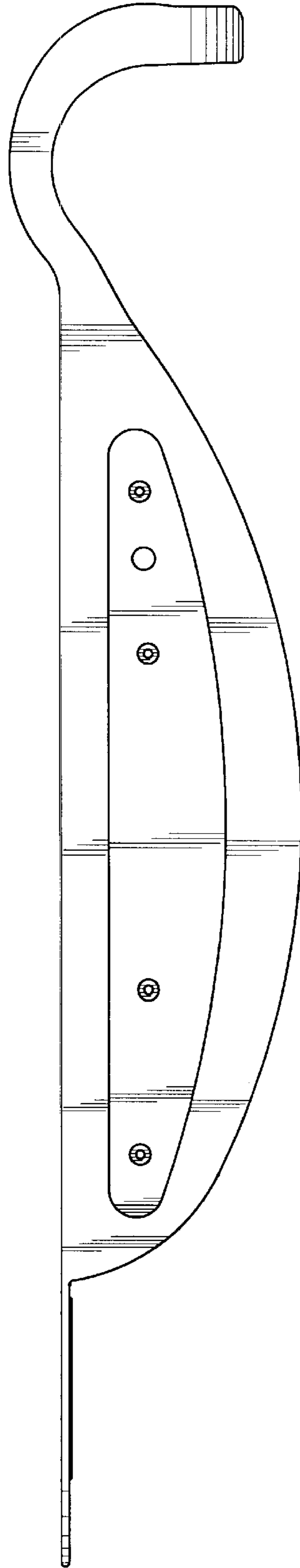


FIG. 5

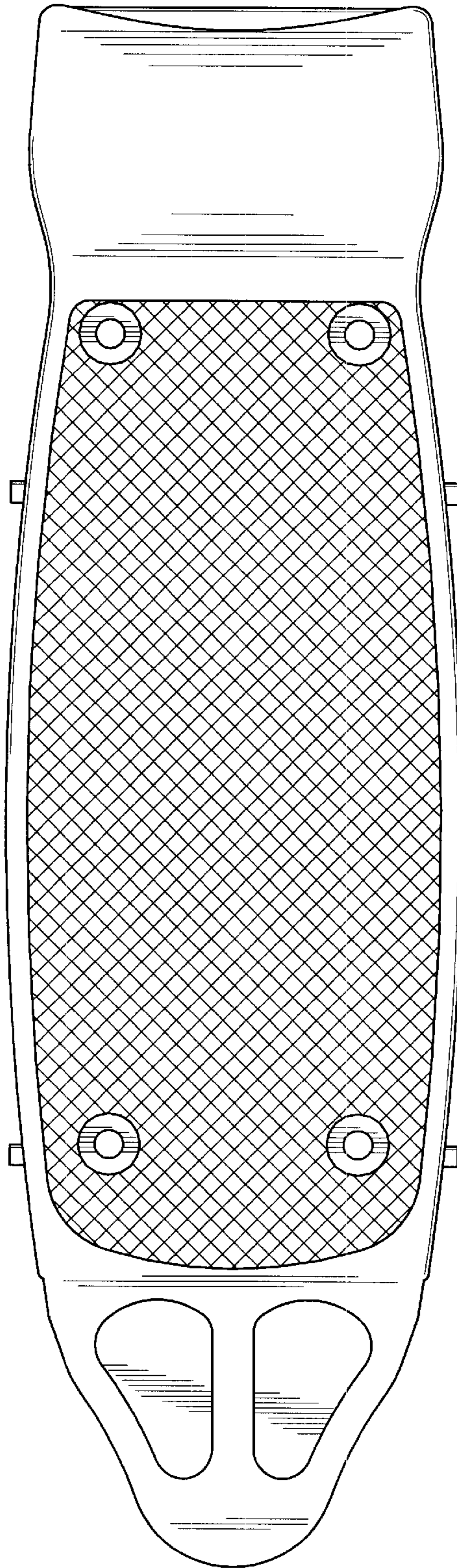


FIG. 6

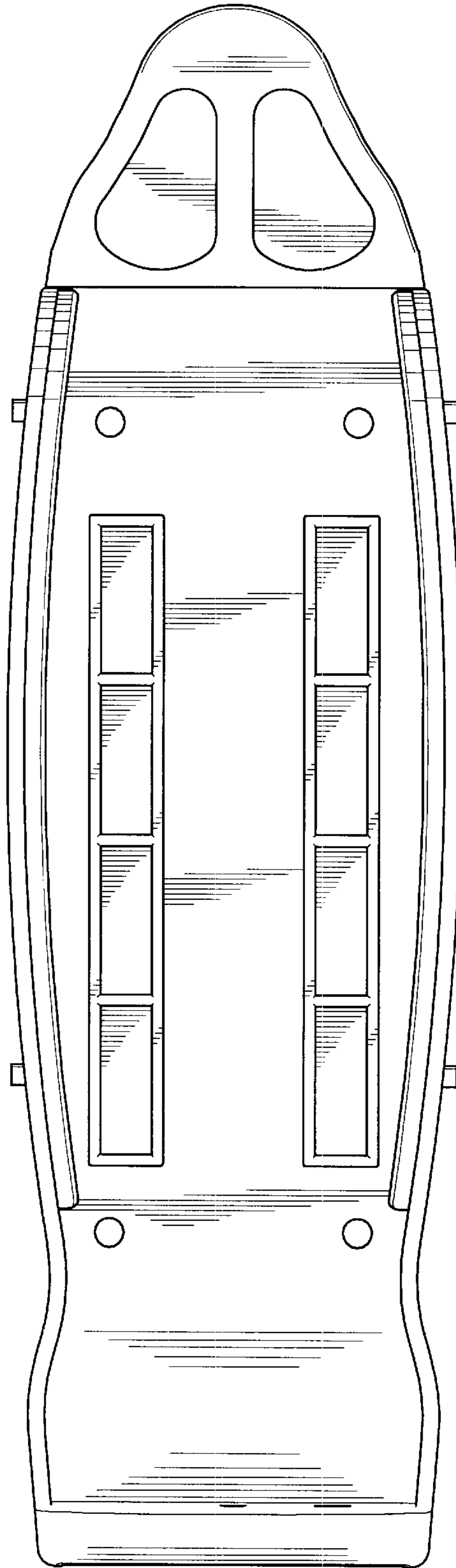


FIG. 7