



US00D471594S

(12) **United States Design Patent**
Nojo

(10) **Patent No.:** **US D471,594 S**

(45) **Date of Patent:** **** Mar. 11, 2003**

(54) **SIMULATION GAME MACHINE**
(75) Inventor: **Kazuhiro Nojo**, Tokyo (JP)
(73) Assignee: **Sega Corporation**, Tokyo (JP)
(**) Term: **14 Years**

5,299,810 A * 4/1994 Pierce et al. 463/30 X
5,439,230 A * 8/1995 Mendes, Jr. 463/51 X
D392,688 S * 3/1998 Isetani et al. D21/326
D403,024 S * 12/1998 Muraki et al. 321/326
D407,758 S * 4/1999 Isetani et al. D21/326
D407,759 S * 4/1999 Isetani et al. D21/326

* cited by examiner

(21) Appl. No.: **29/157,171**
(22) Filed: **Mar. 14, 2002**
(30) **Foreign Application Priority Data**
Sep. 17, 2001 (JP) 2001-031074

Primary Examiner—Prabhakar Deshmukh
(74) *Attorney, Agent, or Firm*—Ladas & Parry

(51) **LOC (7) Cl.** **21-01**
(52) **U.S. Cl.** **D21/326**
(58) **Field of Search** D21/324–327,
D21/333, 811; 273/148 B; 463/1, 29–35,
46, 47, 49, 50, 51, 58

(57) **CLAIM**
The ornamental design for a simulation game machine, as shown and described.

(56) **References Cited**
U.S. PATENT DOCUMENTS
4,225,140 A * 9/1980 D'Andrade et al. 273/356
4,960,117 A * 10/1990 Mongrief et al. 463/46
D318,073 S * 7/1991 Jang D21/326

DESCRIPTION
FIG. 1 is a front view of a simulation game machine showing my new design;
FIG. 2 is a rear view thereof;
FIG. 3 is a right side view thereof;
FIG. 4 is a left side view thereof; and,
FIG. 5 is a top view thereof.
The broken lines are for illustrative purposes only and form no part of the claimed design.

1 Claim, 5 Drawing Sheets

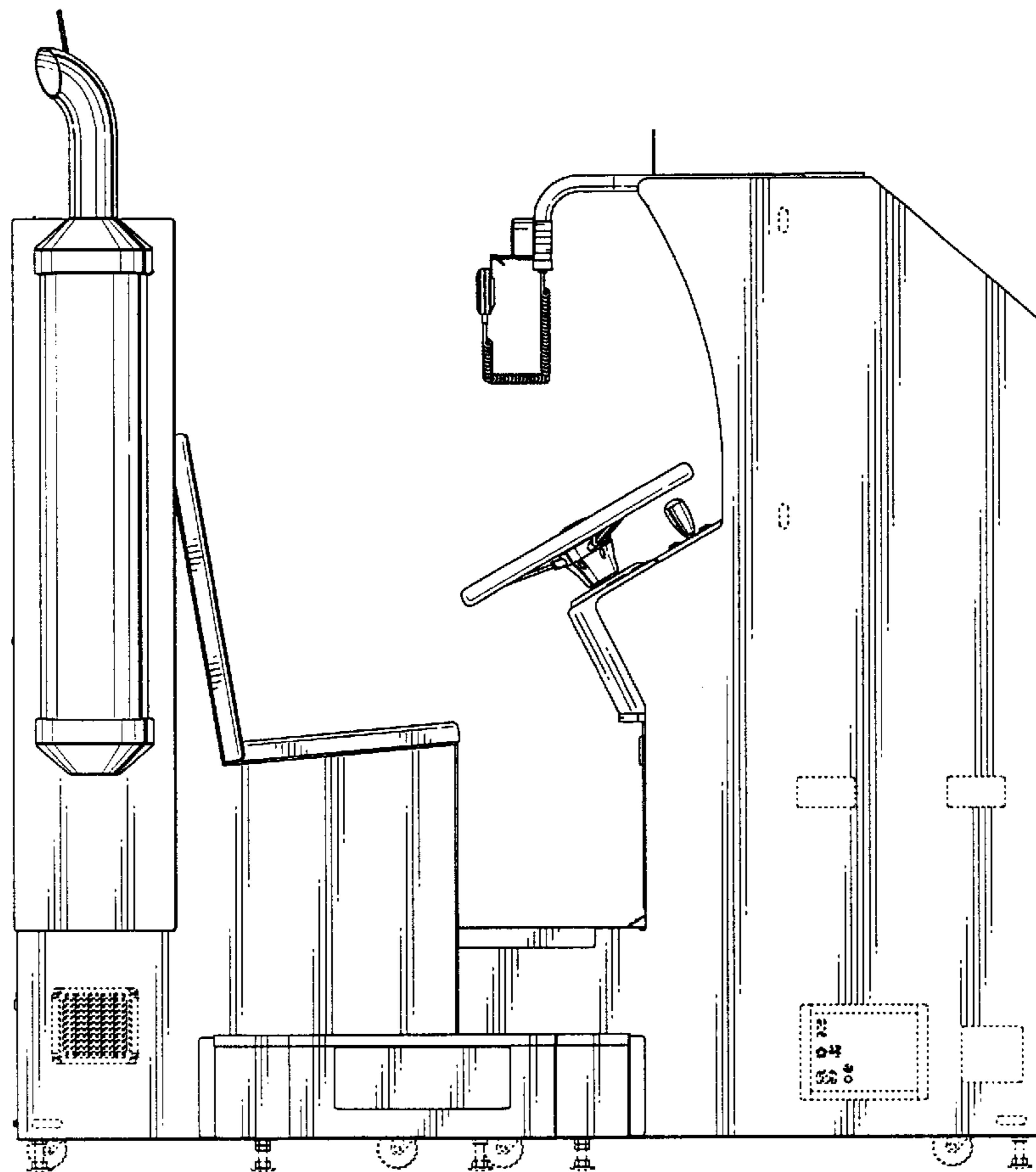


FIG. 1

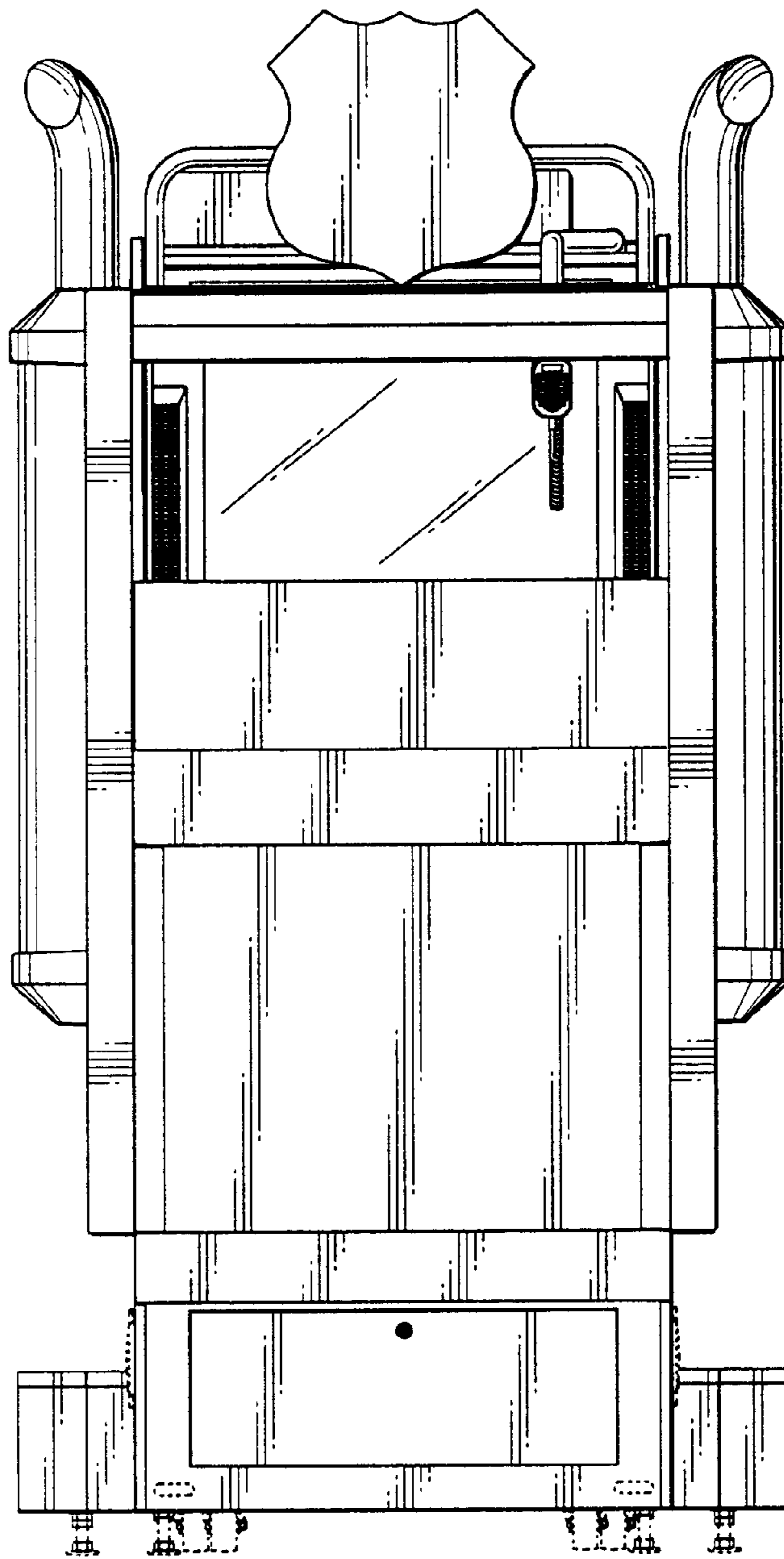


FIG. 2

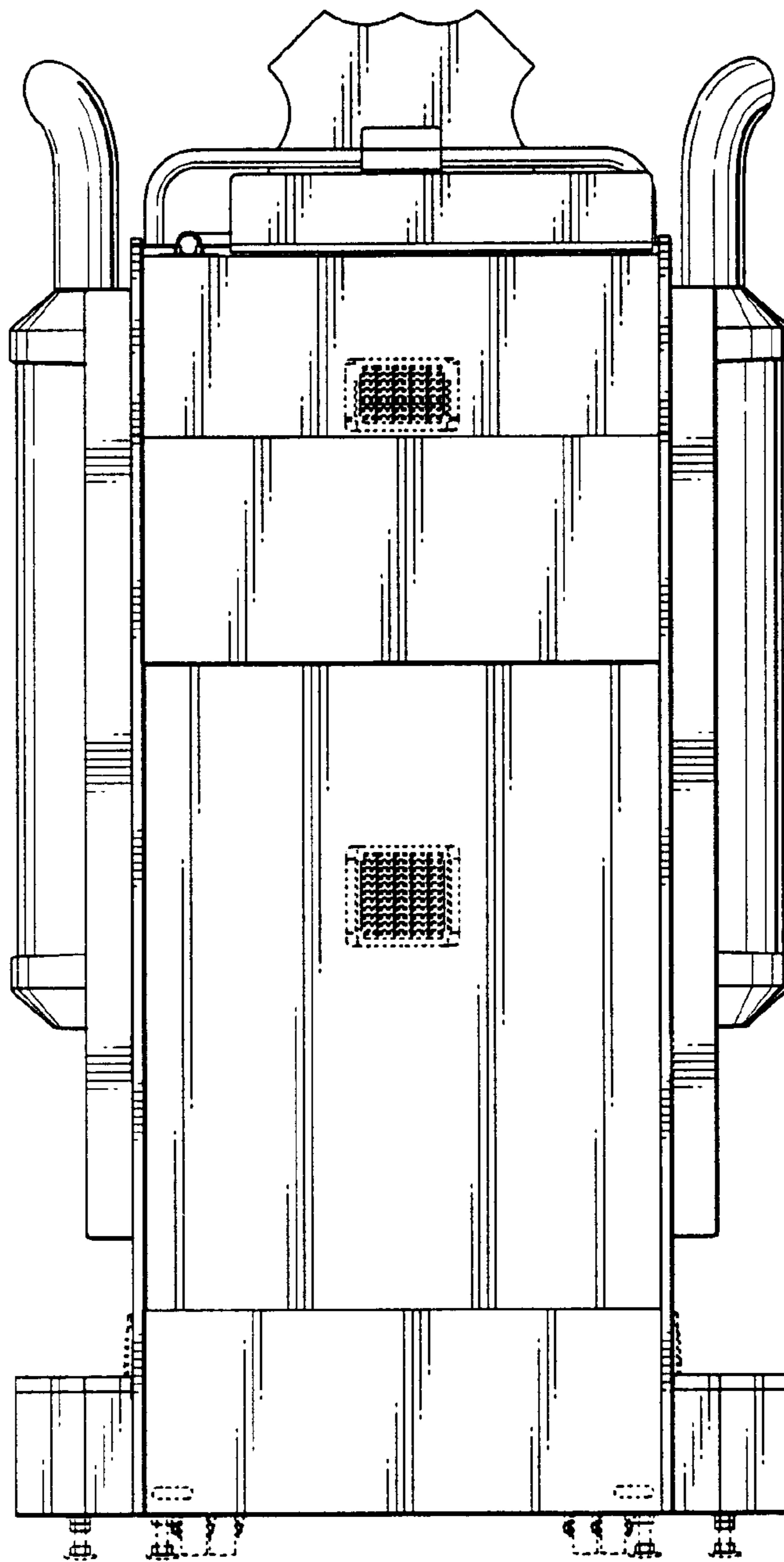


FIG. 3

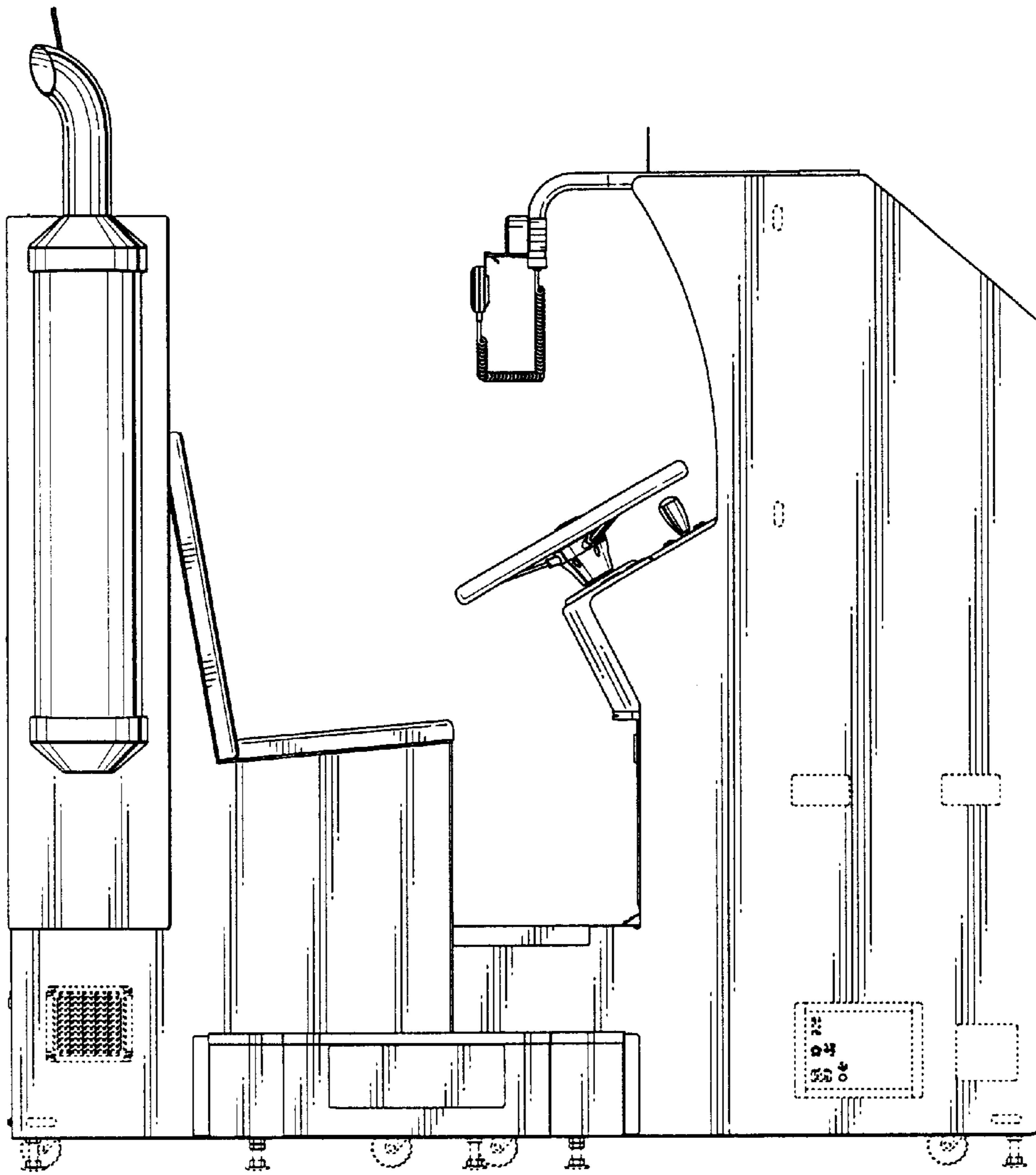


FIG. 4

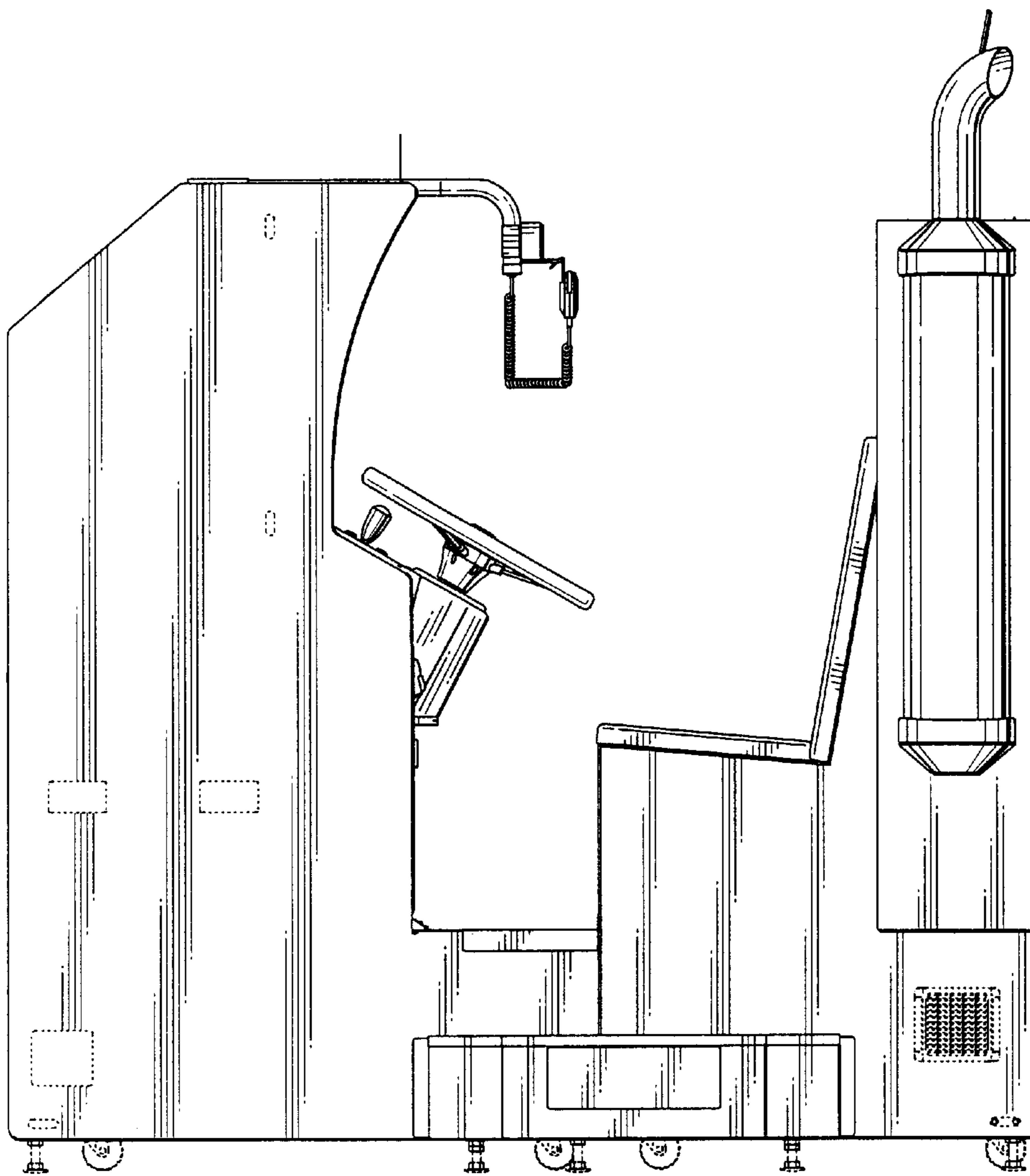


FIG. 5

