



US00D471584S

(12) **United States Design Patent**
Sugata et al.

(10) **Patent No.:** **US D471,584 S**

(45) **Date of Patent:** **** Mar. 11, 2003**

(54) **INK BOTTLE**

(75) Inventors: **Katsumi Sugata**, Machida (JP); **Akira Yamamoto**, Hachioji (JP); **Fumihiko Ueno**, Hachioji (JP); **Noriko Yokoyama**, Hachioji (JP); **Kyoichi Inoue**, Akishima (JP)

(73) Assignee: **Olympus Optical Co., Ltd.**, Tokyo (JP)

(**) Term: **14 Years**

(21) Appl. No.: **29/142,085**

(22) Filed: **May 16, 2001**

(51) **LOC (7) Cl.** **16-03**

(52) **U.S. Cl.** **D18/43; D9/523; D9/530**

(58) **Field of Search** **D18/40, 43, 56; D9/516, 525, 526, 530, 543, 575; 215/383, 384, 398; 399/24, 27, 28; 222/DIG. 1**

(56) **References Cited**

U.S. PATENT DOCUMENTS

D200,357 S	*	2/1965	Groff	D9/543
D211,928 S	*	8/1968	Burnett	D9/523
D214,021 S	*	5/1969	Bacialli	D9/523
D269,948 S	*	8/1983	Janssen	D9/523
D271,113 S	*	10/1983	Birkeland et al.	D18/43
D286,376 S	*	10/1986	Bianco	D9/525
D289,976 S	*	5/1987	Humpries	D9/525
D337,947 S	*	8/1993	Lauter	D9/525
D343,093 S	*	1/1994	Sabin et al.	D7/612
D448,674 S	*	10/2001	Mooney	D9/540

* cited by examiner

Primary Examiner—Caron D. Veynar

(74) *Attorney, Agent, or Firm*—Hogan & Hartson, LLP

(57) **CLAIM**

The ornamental design for an ink bottle, as shown and described.

DESCRIPTION

FIG. 1 is a front, top and left side perspective view of an ink bottle, showing our new design;

FIG. 2 is a rear, bottom and right side perspective view thereof;

FIG. 3 is a front elevational view thereof; the opposite side being a mirror image thereof;

FIG. 4 is a left side elevational view thereof;

FIG. 5 is a right side elevational view thereof;

FIG. 6 is a top plan view thereof;

FIG. 7 is a bottom plan view thereof;

FIG. 8 is a vertical cross-sectional view thereof taken along the line 8—8 in FIG. 6;

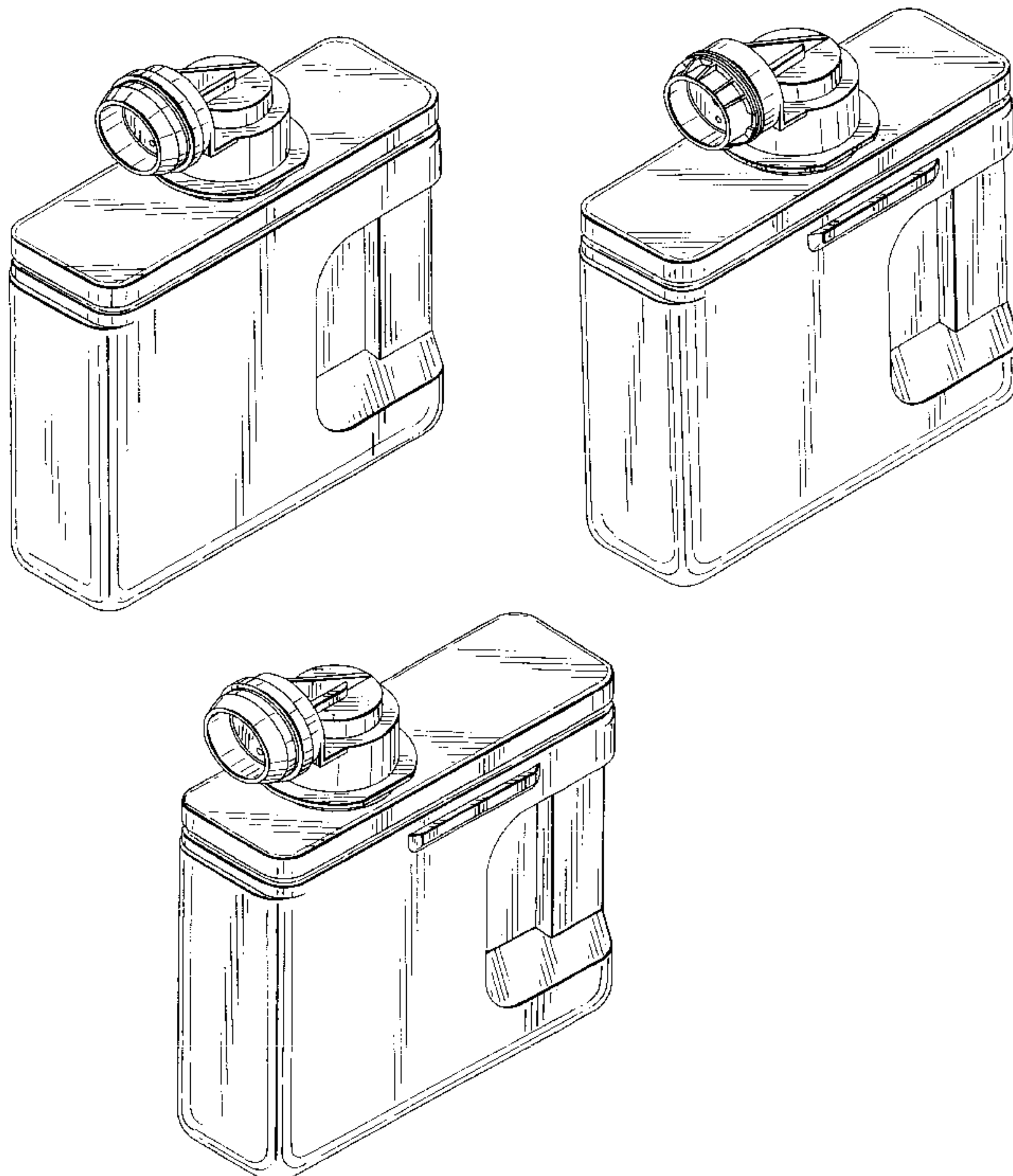
FIG. 9 is a front, top and left side perspective view of a second embodiment of the ink bottle;

FIG. 10 is a rear, bottom and right side perspective view thereof;

FIG. 11 is a front, top and left side perspective view of a third embodiment of the ink bottle; and,

FIG. 12 is a rear, bottom and right side perspective view thereof.

1 Claim, 5 Drawing Sheets



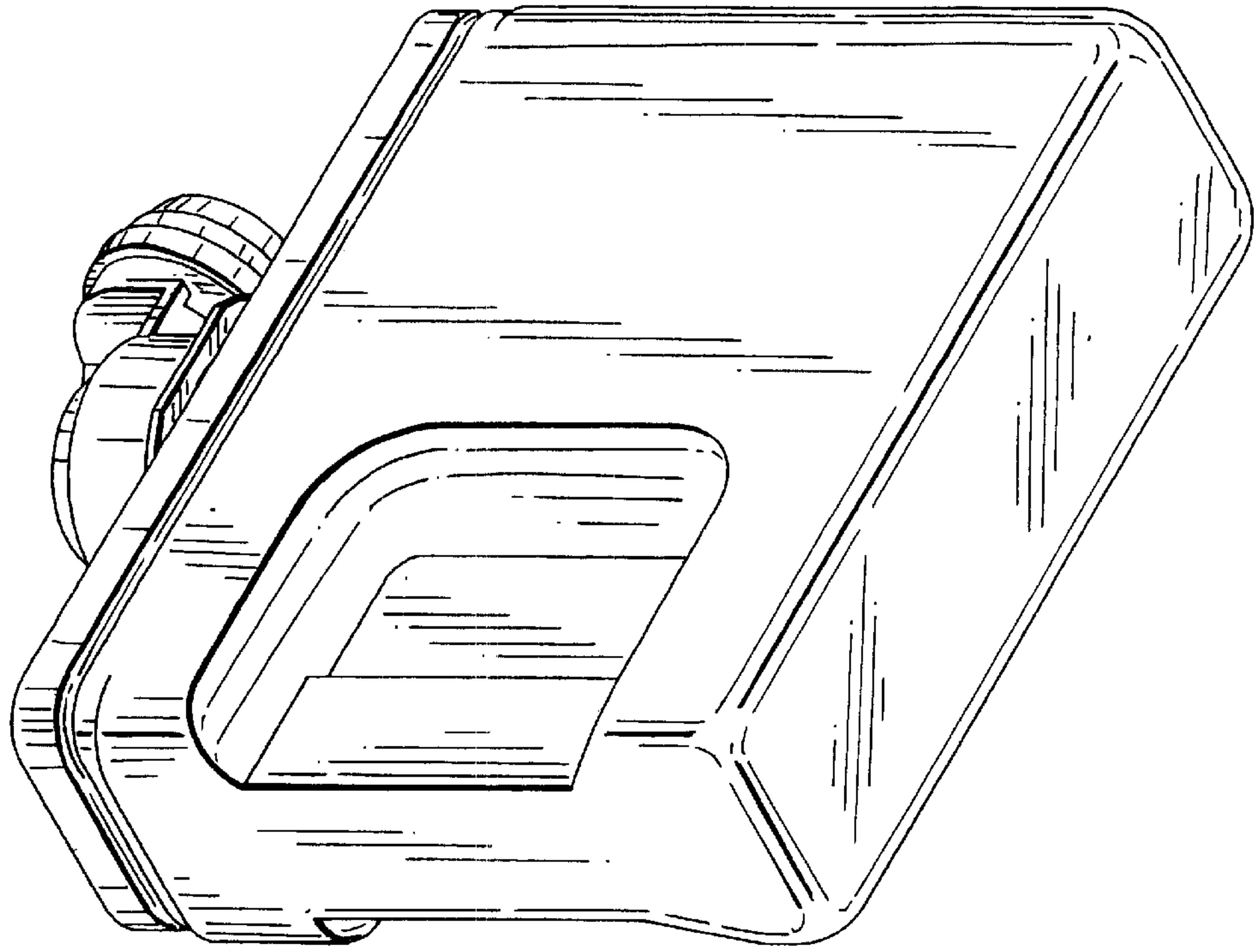


FIG. 2

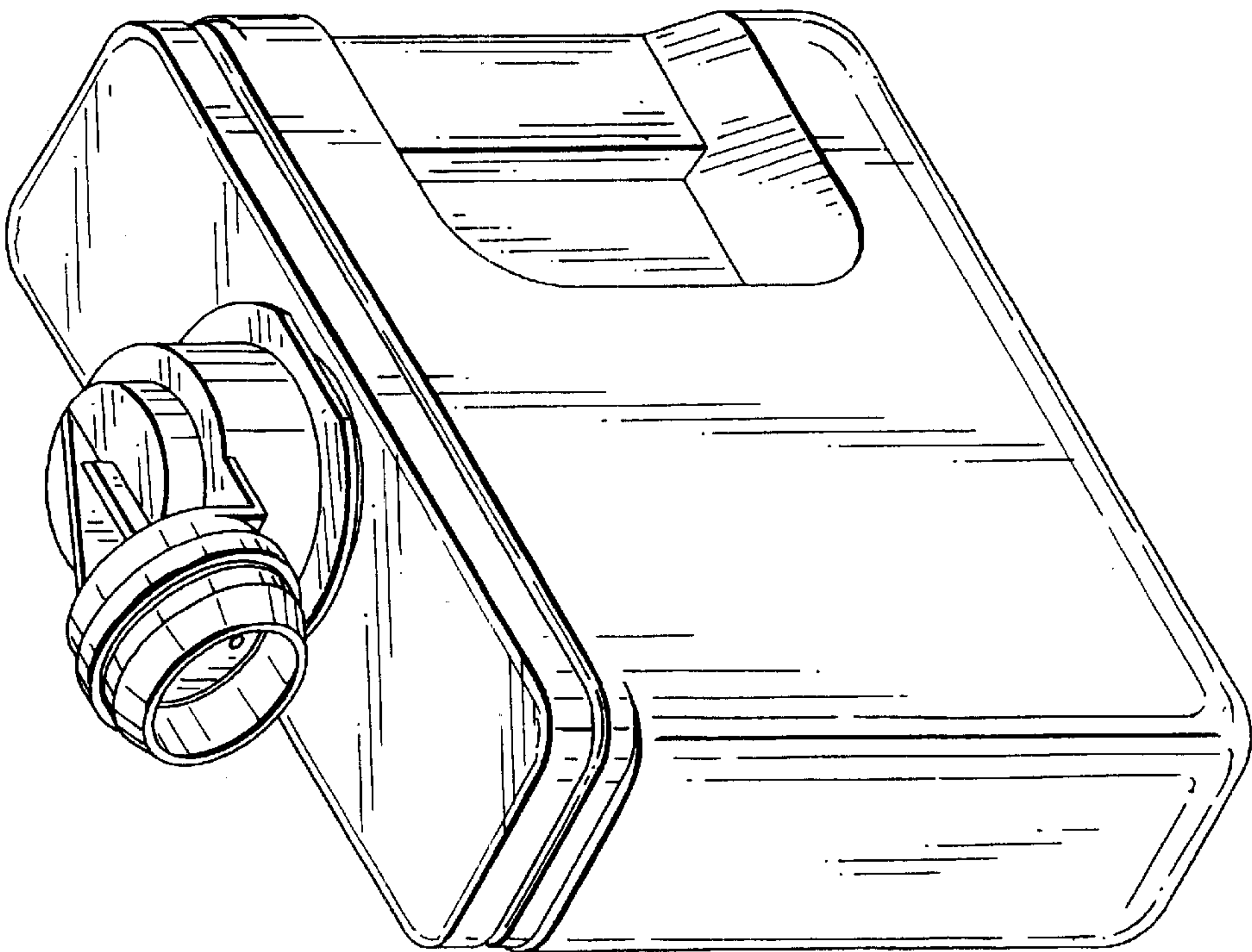


FIG. 1

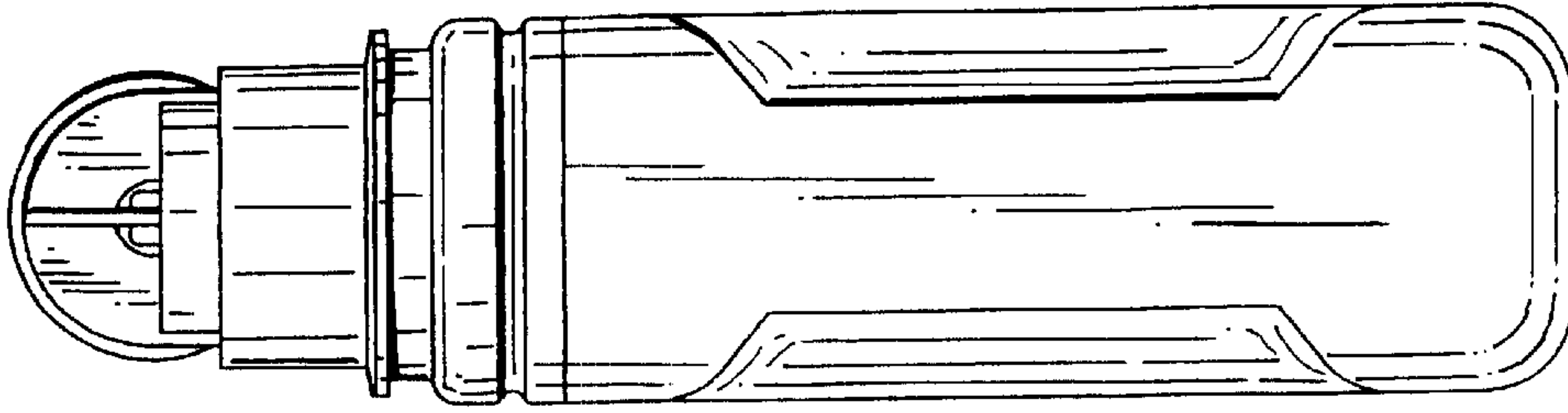


FIG. 5

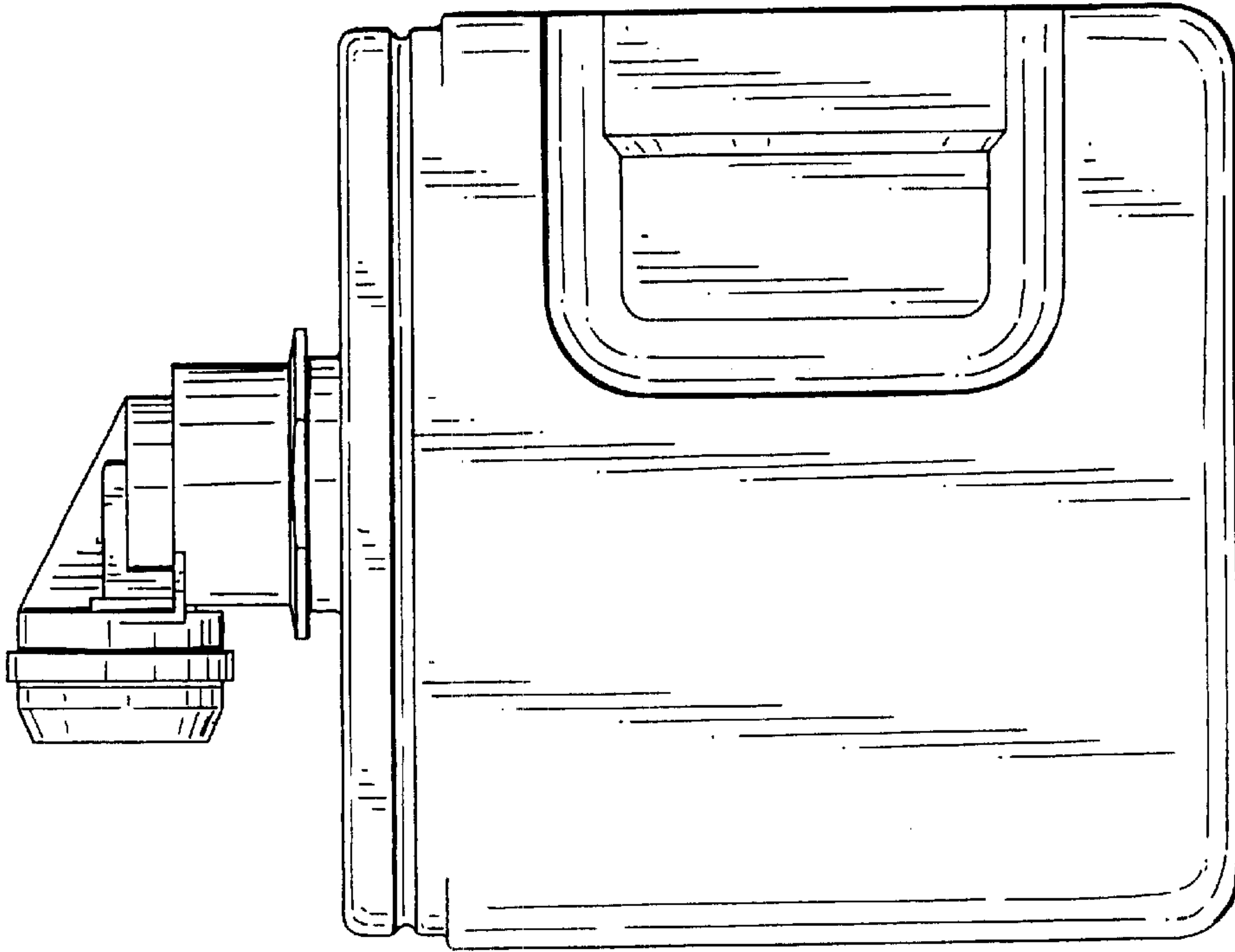


FIG. 3

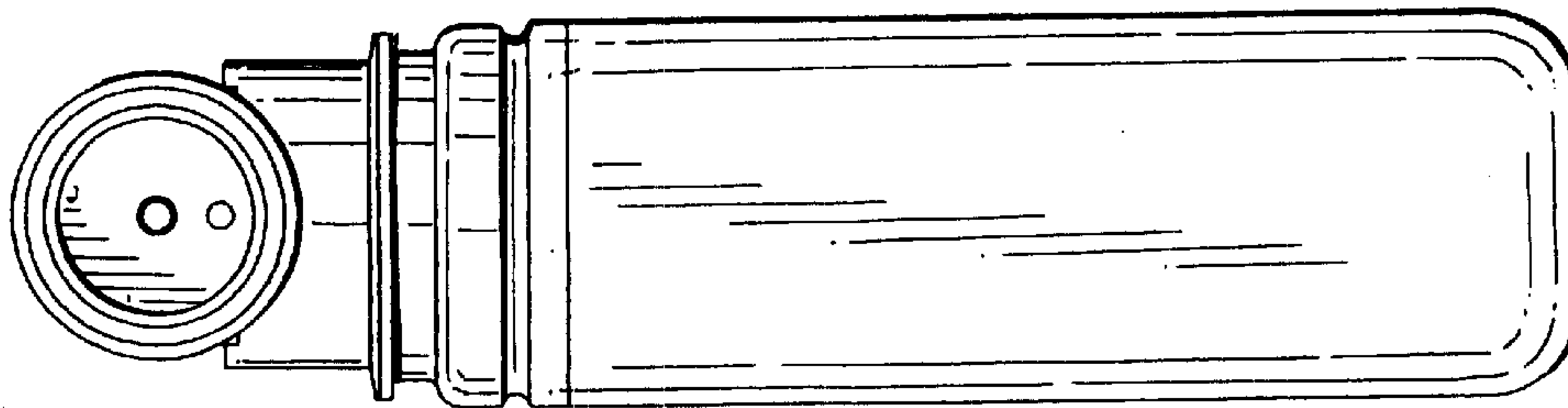


FIG. 4

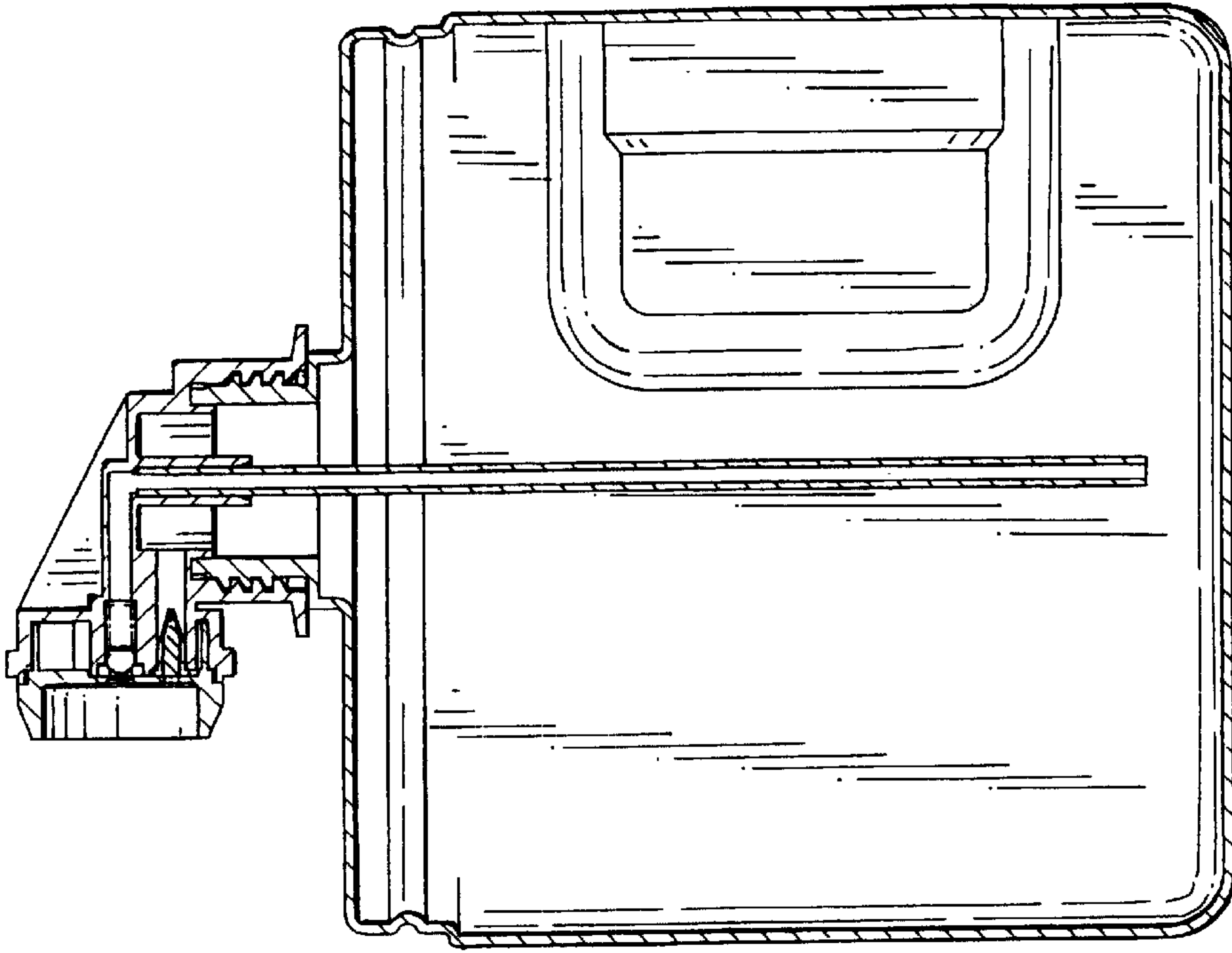


FIG. 8

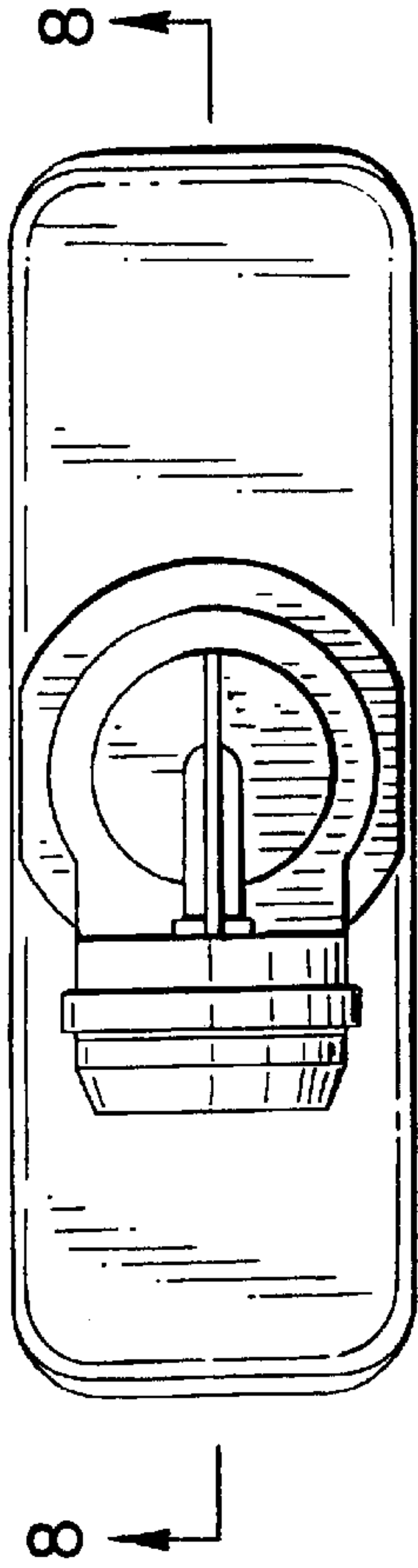


FIG. 6

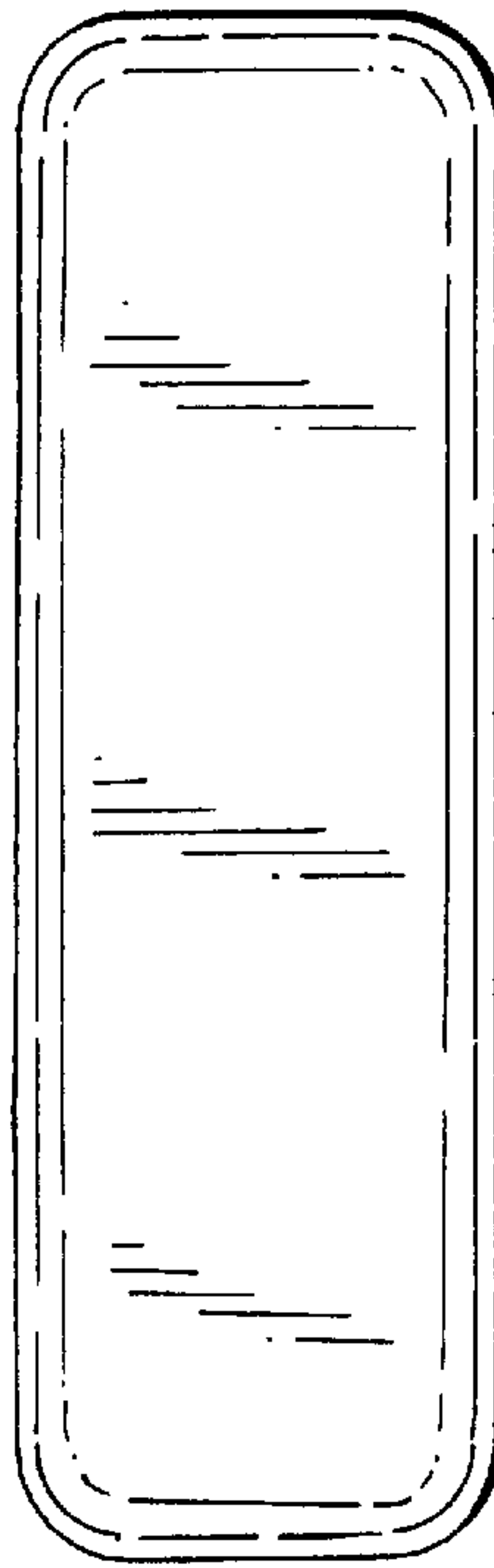


FIG. 7

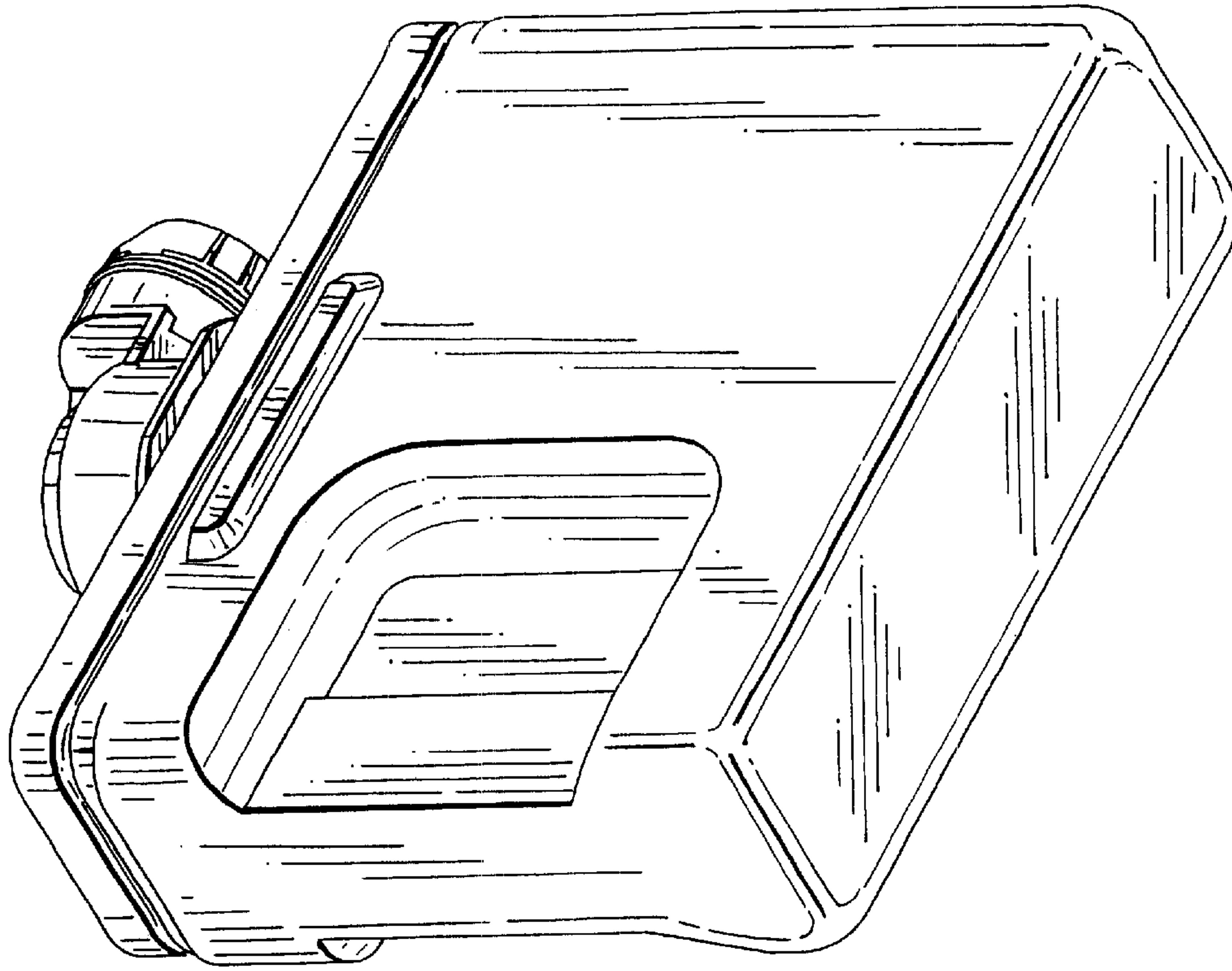


FIG. 10

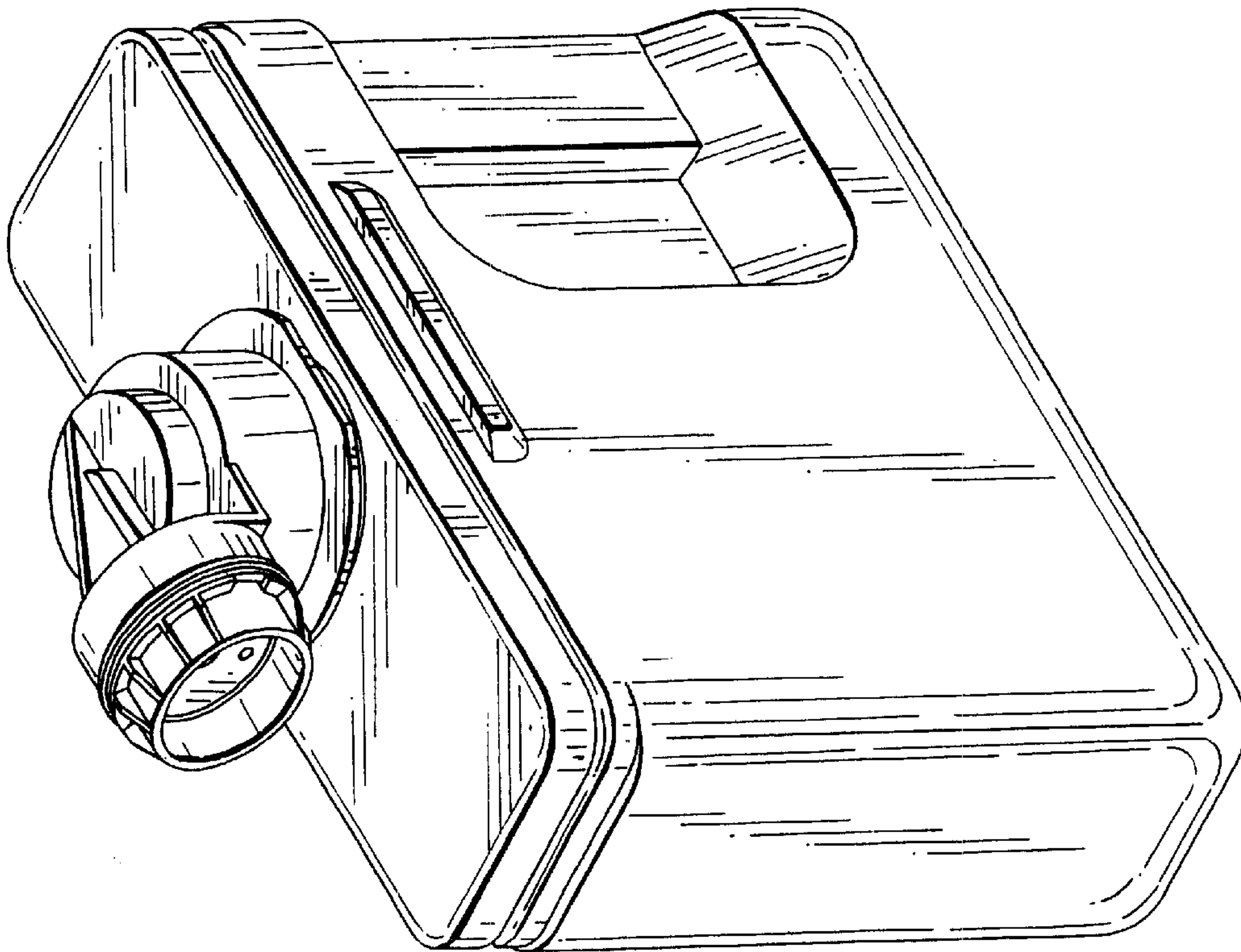


FIG. 9

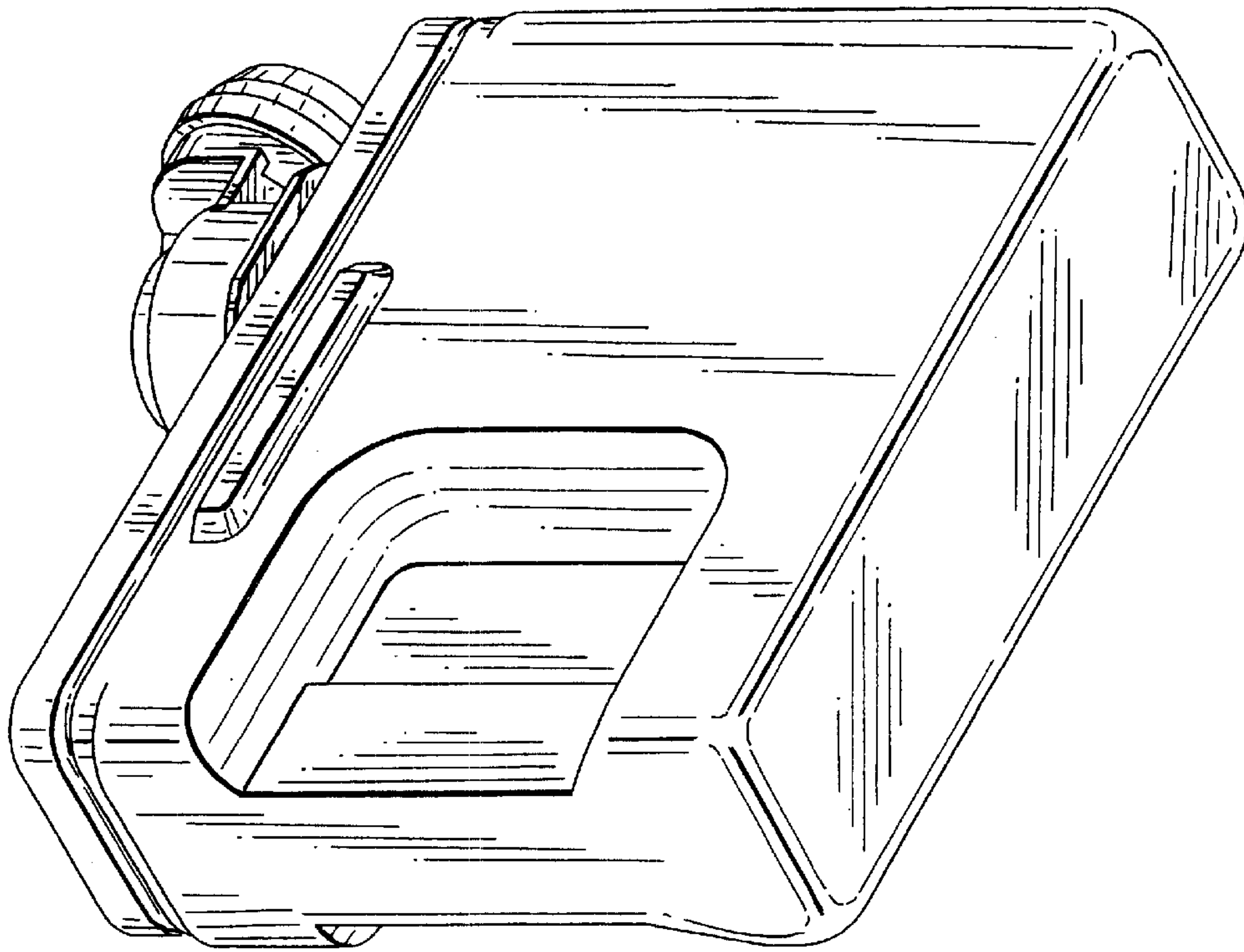


FIG. 12

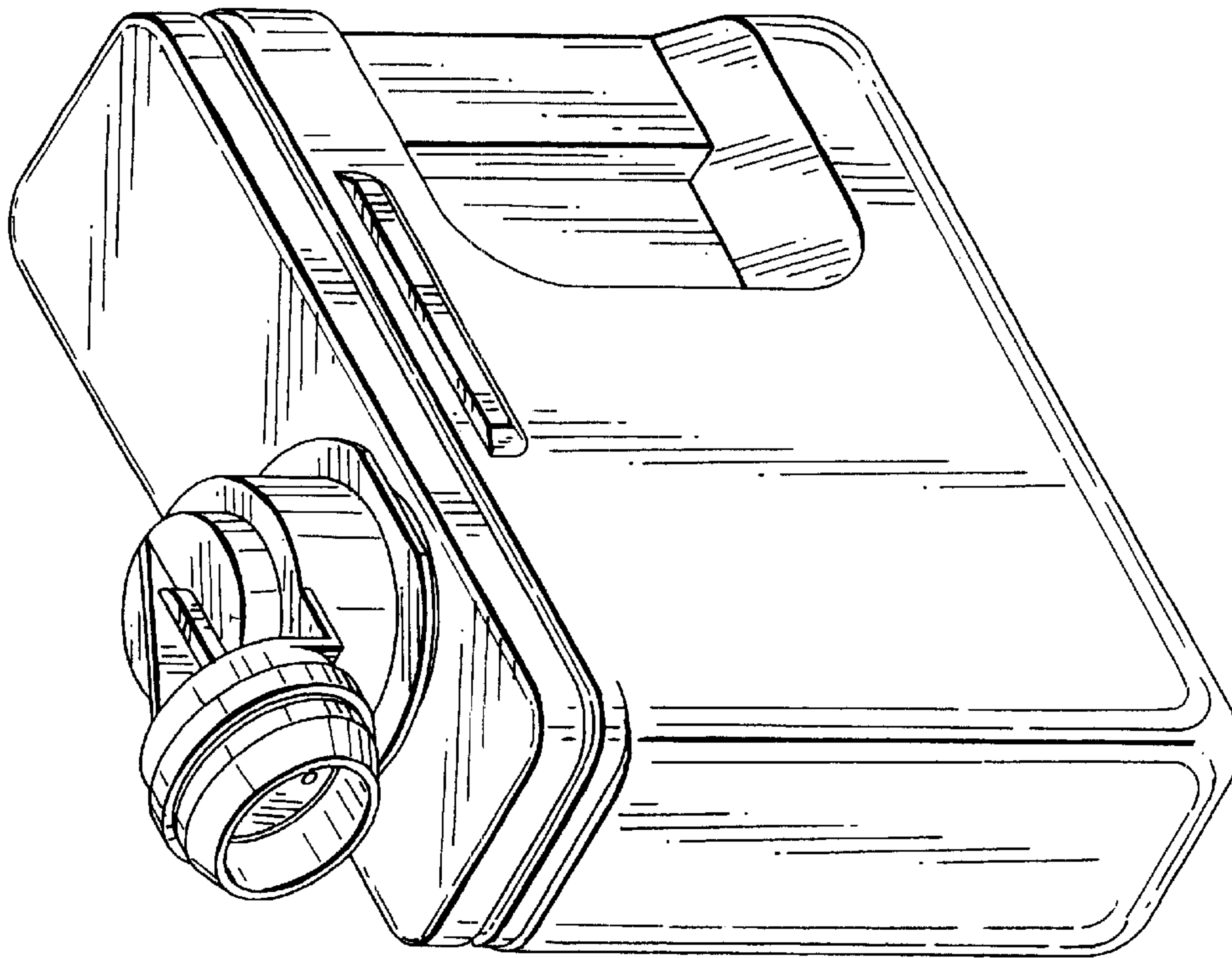


FIG. 11