



US00D471583S

(12) **United States Design Patent**  
**Okabe et al.**

(10) **Patent No.:** **US D471,583 S**

(45) **Date of Patent:** **\*\* Mar. 11, 2003**

(54) **PHOTOSENSITIVE DRUM UNIT**  
(75) Inventors: **Yasushi Okabe**, Nagoya (JP); **Makoto Ishii**, Nagoya (JP); **Shigeharu Katayama**, Kakamigahara (JP)

6,356,723 B1 3/2002 Sato et al. .... 399/103  
D422,304 S 4/2002 Suzuki et al. .... D18/43  
6,385,414 B1 5/2002 Sato et al. .... 399/98  
6,411,789 B1 6/2002 Okabe et al. .... 399/113  
6,456,810 B1 9/2002 Deguchi et al. .... 399/254

(73) Assignee: **Brother Industries, Ltd.**, Nagoya (JP)  
(\*\*) Term: **14 Years**

**OTHER PUBLICATIONS**

U.S. application Ser. No. 09/953,124, Sato et al., filed Sep. 17, 2001.  
U.S. application Ser. No. 10/053,908, Sato et al., filed Jan. 24, 2002.  
U.S. application Ser. No. 09/935,595, Sato et al., filed Aug. 24, 2001.  
U.S. application Ser. No. 10/153,643, Okabe et al., filed May 24, 2002.

(21) Appl. No.: **29/165,453**  
(22) Filed: **Aug. 12, 2002**

(30) **Foreign Application Priority Data**  
Mar. 25, 2002 (JP) ..... 2002-007657

\* cited by examiner

(51) **LOC (7) Cl.** ..... **16-03**  
(52) **U.S. Cl.** ..... **D18/40**  
(58) **Field of Search** ..... D18/36, 40, 43,  
D18/56; 399/24-27, 98, 103, 110-116;  
222/DIG. 1

*Primary Examiner*—Caron D. Veynar  
(74) *Attorney, Agent, or Firm*—Oliff & Berridge, PLC

(56) **References Cited**

(57) **CLAIM**

The ornamental design for a photosensitive drum unit, as shown and described.

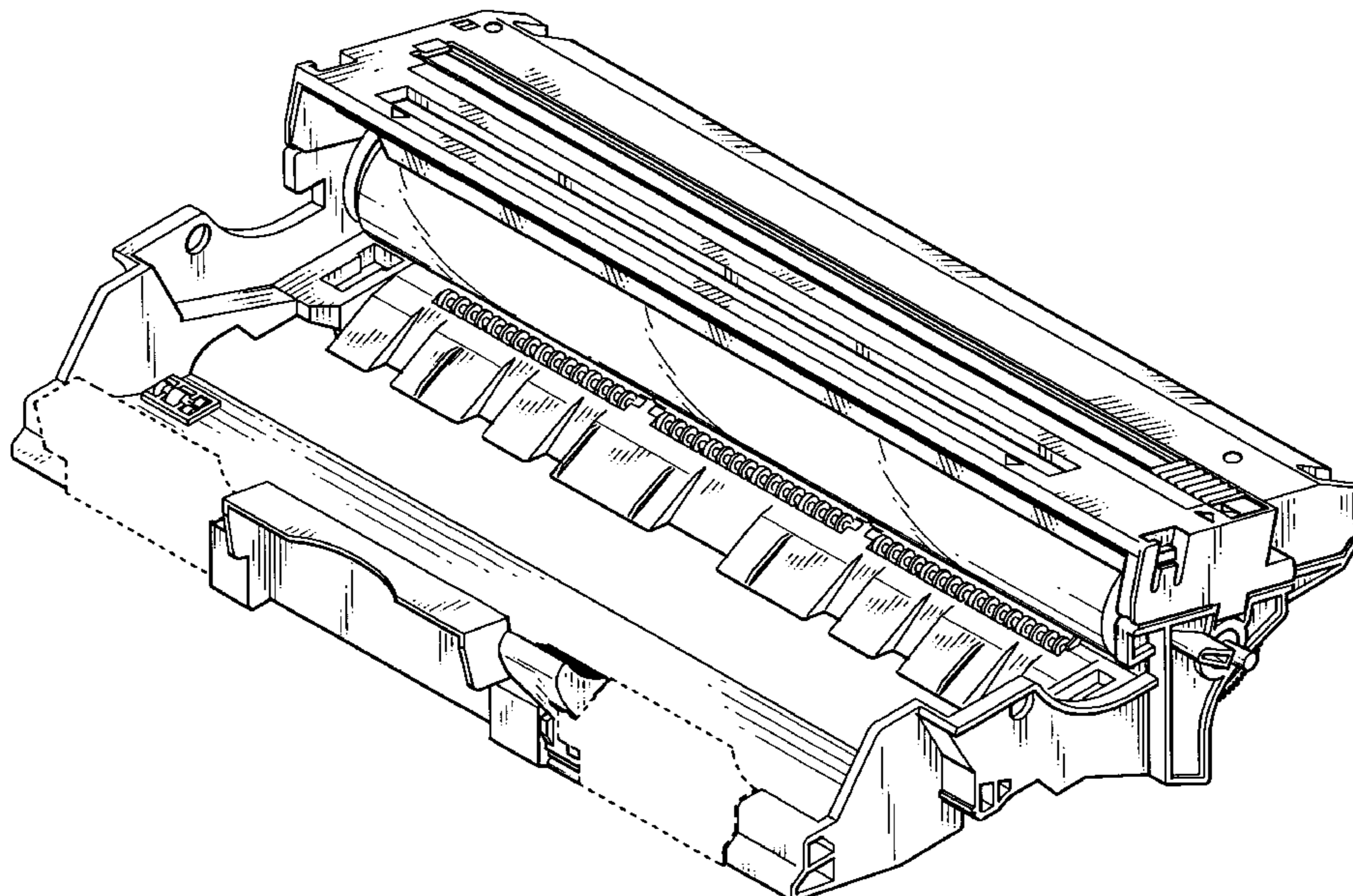
**U.S. PATENT DOCUMENTS**

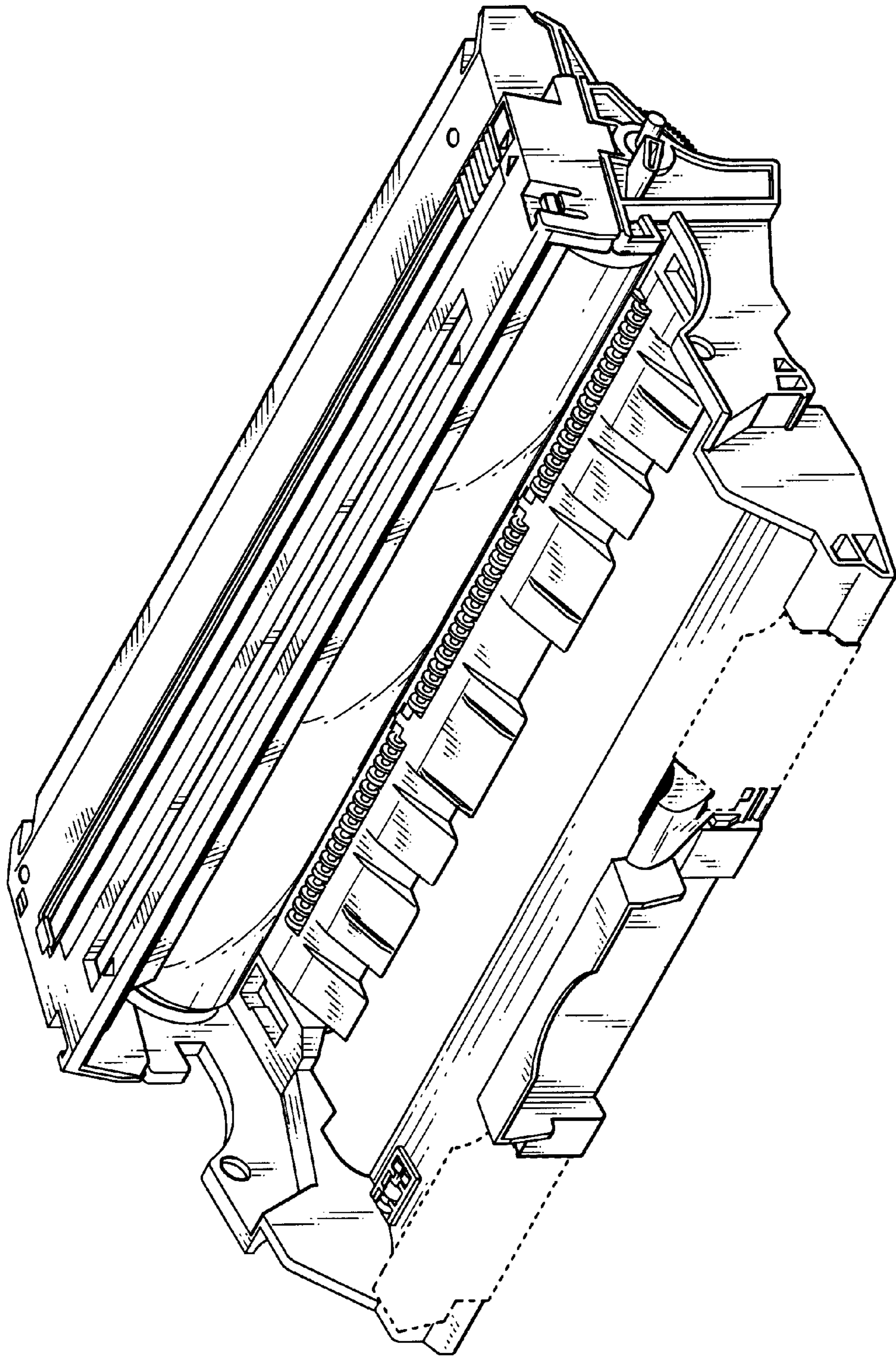
**DESCRIPTION**

D410,676 S \* 6/1999 Kurabayashi et al. .... D18/40  
D423,559 S 4/2000 Suzuki et al. .... D18/40  
6,101,350 A 8/2000 Suzuki et al. .... 399/113  
6,195,522 B1 2/2001 Sato ..... 399/284  
6,219,505 B1 4/2001 Sato et al. .... 399/98  
D442,216 S 5/2001 Kimura et al. .... D18/43  
D447,511 S 9/2001 Kimura et al. .... D18/40  
6,304,735 B1 10/2001 Nishimura et al. .... 399/98  
6,321,050 B1 11/2001 Sato et al. .... 399/103  
6,330,410 B1 12/2001 Okabe et al. .... 399/113  
6,336,014 B1 1/2002 Sato et al. .... 399/103  
6,337,956 B1 1/2002 Sato et al. .... 399/27  
6,041,203 A1 3/2002 Suzuki et al. .... 399/111

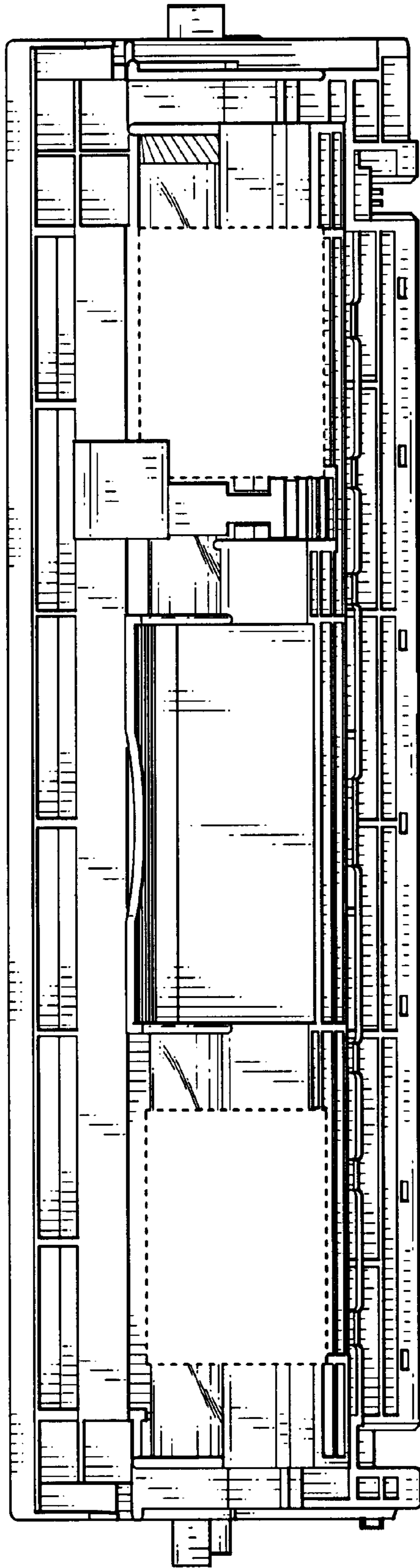
FIG. 1 is a perspective view of a photosensitive drum unit;  
FIG. 2 is a front view thereof;  
FIG. 3 is a rear view thereof;  
FIG. 4 is a left side view thereof;  
FIG. 5 is a right side view thereof;  
FIG. 6 is a top view thereof; and,  
FIG. 7 is a bottom view thereof.  
The broken line showing defines the bounds of the claimed design, but does not form part of the claimed design.

**1 Claim, 6 Drawing Sheets**



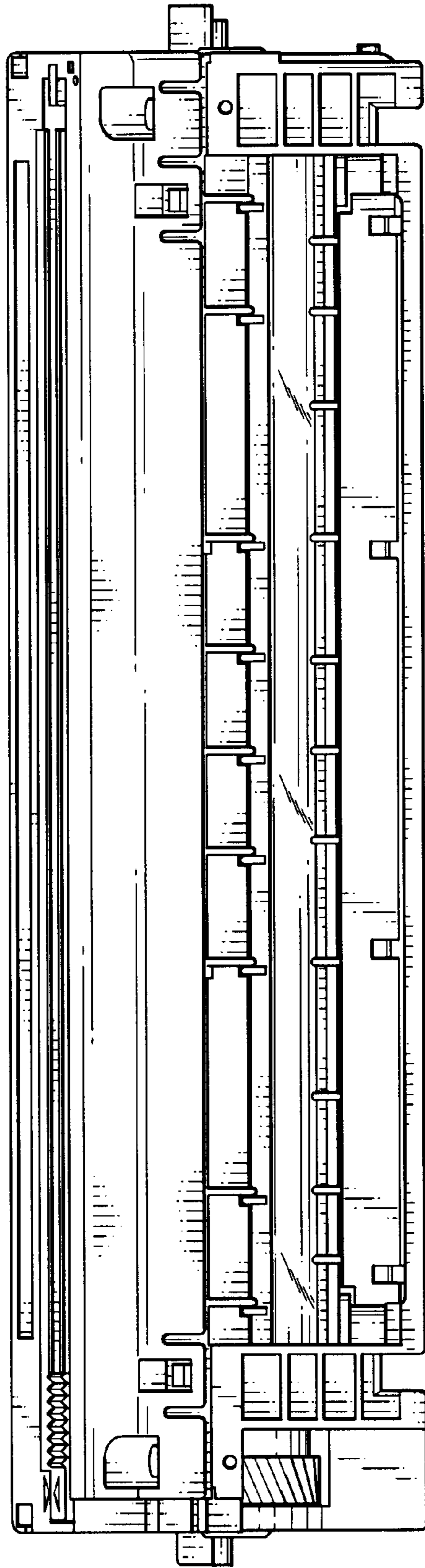


**Fig. 1**

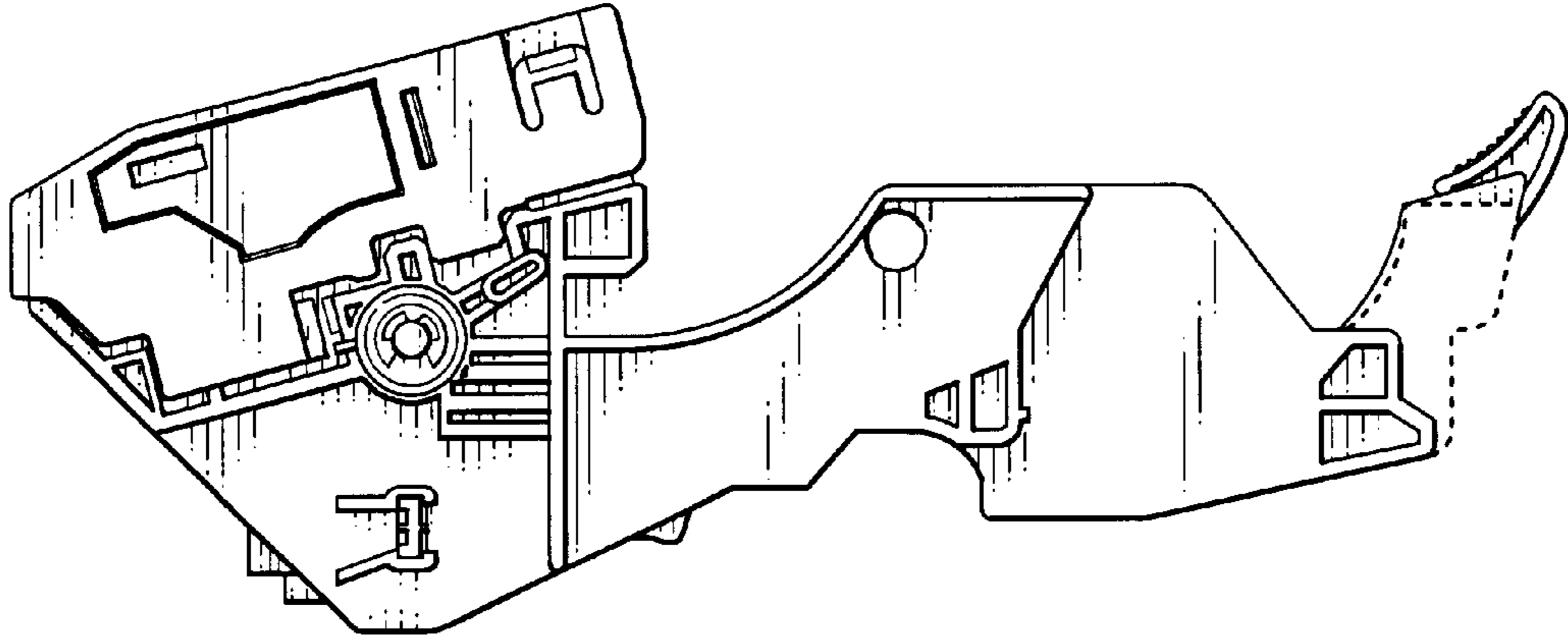


*Fig. 2*

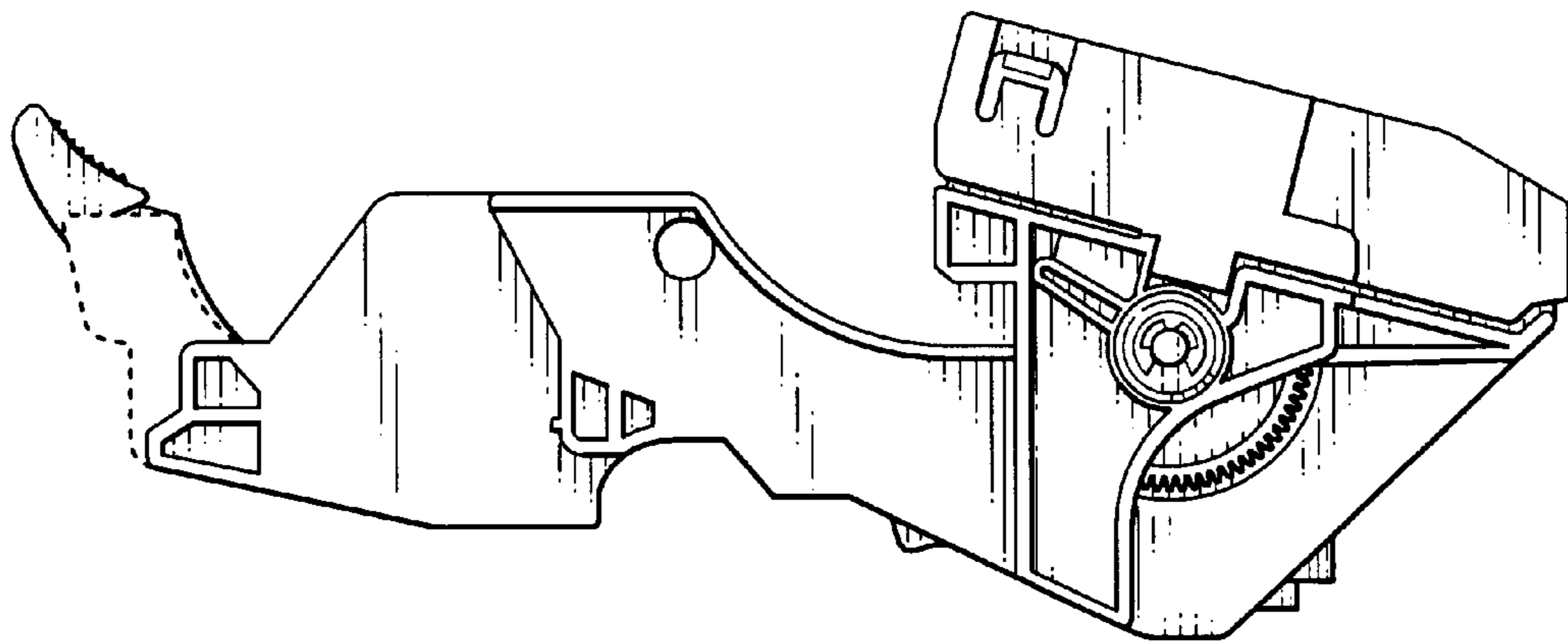




*Fig. 3*



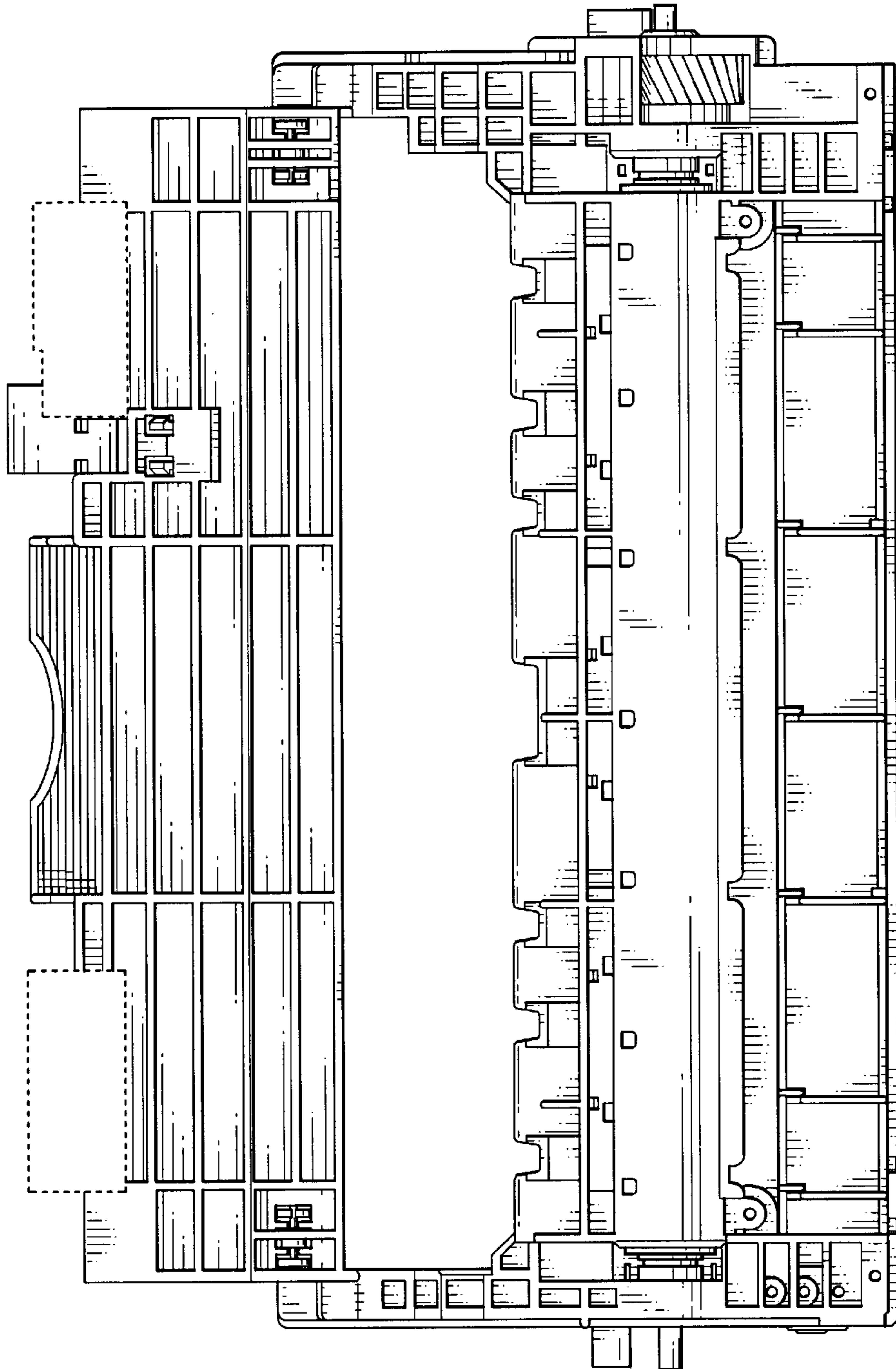
*Fig. 4*



*Fig. 5*



*Fig. 6*



*Fig. 7*