



US00D471582S

(12) **United States Design Patent**
Mori

(10) **Patent No.:** **US D471,582 S**

(45) **Date of Patent:** **** Mar. 11, 2003**

(54) **DEVELOPER SUPPLYING APPARATUS FOR
A COPY MACHINE**

D410,247 S * 5/1999 Nomura D18/43
D431,593 S * 10/2000 Gumbe D18/40

(75) Inventor: **Tokihiko Mori**, Kunitachi (JP)

* cited by examiner

(73) Assignee: **Toshiba Tec Kabushiki Kaisha**, Tokyo (JP)

Primary Examiner—Caron D. Veynar

(74) *Attorney, Agent, or Firm*—Morrison & Foerster LLP

(**) Term: **14 Years**

(57) **CLAIM**

The ornamental design for a developer supplying apparatus for a copy machine, as shown.

(21) Appl. No.: **29/157,374**

DESCRIPTION

(22) Filed: **Mar. 19, 2002**

(30) **Foreign Application Priority Data**

Oct. 12, 2001 (JP) 2001-030094

FIG. 1 is a front upper perspective view of a developer supplying apparatus for a copy machine showing my new design;

(51) **LOC (7) Cl.** **16-03**

FIG. 2 is a rear lower perspective view thereof;

(52) **U.S. Cl.** **D18/40**

FIG. 3 is a front elevational view thereof;

(58) **Field of Search** D18/36, 40, 43,
D18/56; 399/24, 25, 27, 28, 61, 99, 106,
111, 262; 222/DIG. 1

FIG. 4 is a rear elevational view thereof;

FIG. 5 is a top plan view thereof;

FIG. 6 is a bottom plan view thereof;

FIG. 7 is a left side elevational view thereof;

FIG. 8 is a right side elevational view thereof; and,

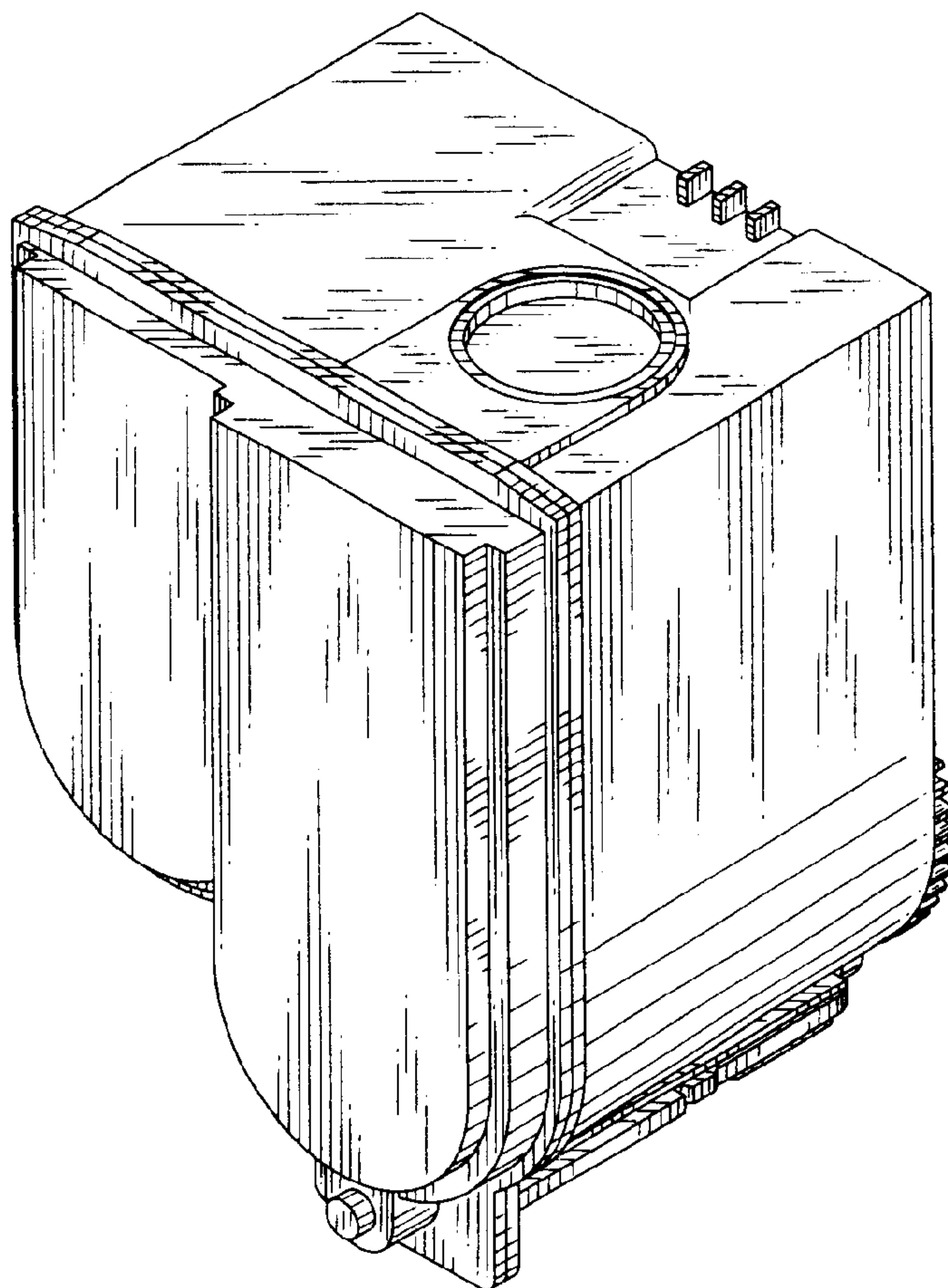
FIG. 9 is a rear lower perspective view thereof when a supply port is opened by sliding a shutter.

(56) **References Cited**

U.S. PATENT DOCUMENTS

D400,915 S * 11/1998 Nomura et al. D18/40

1 Claim, 5 Drawing Sheets



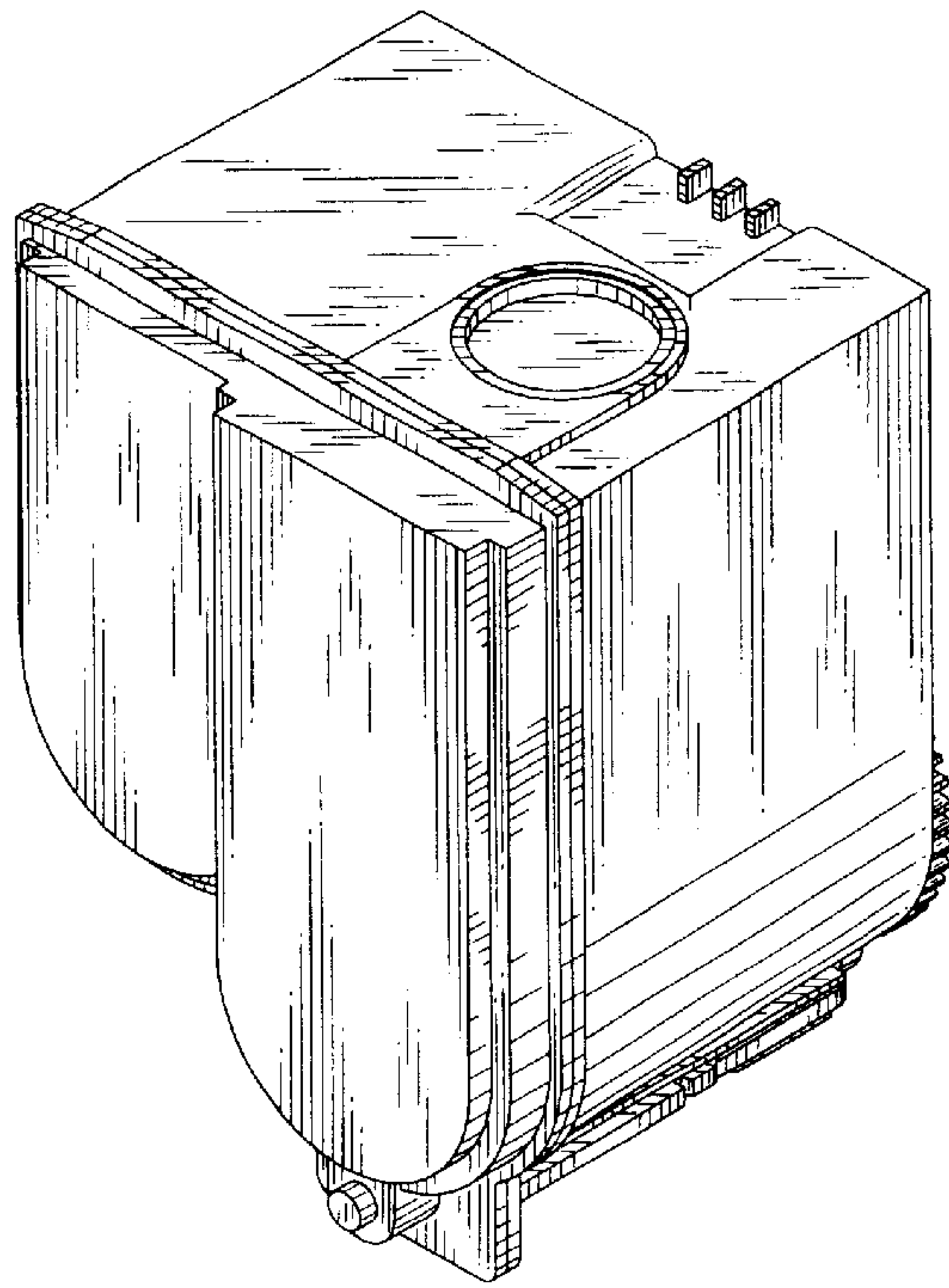


FIG. 1

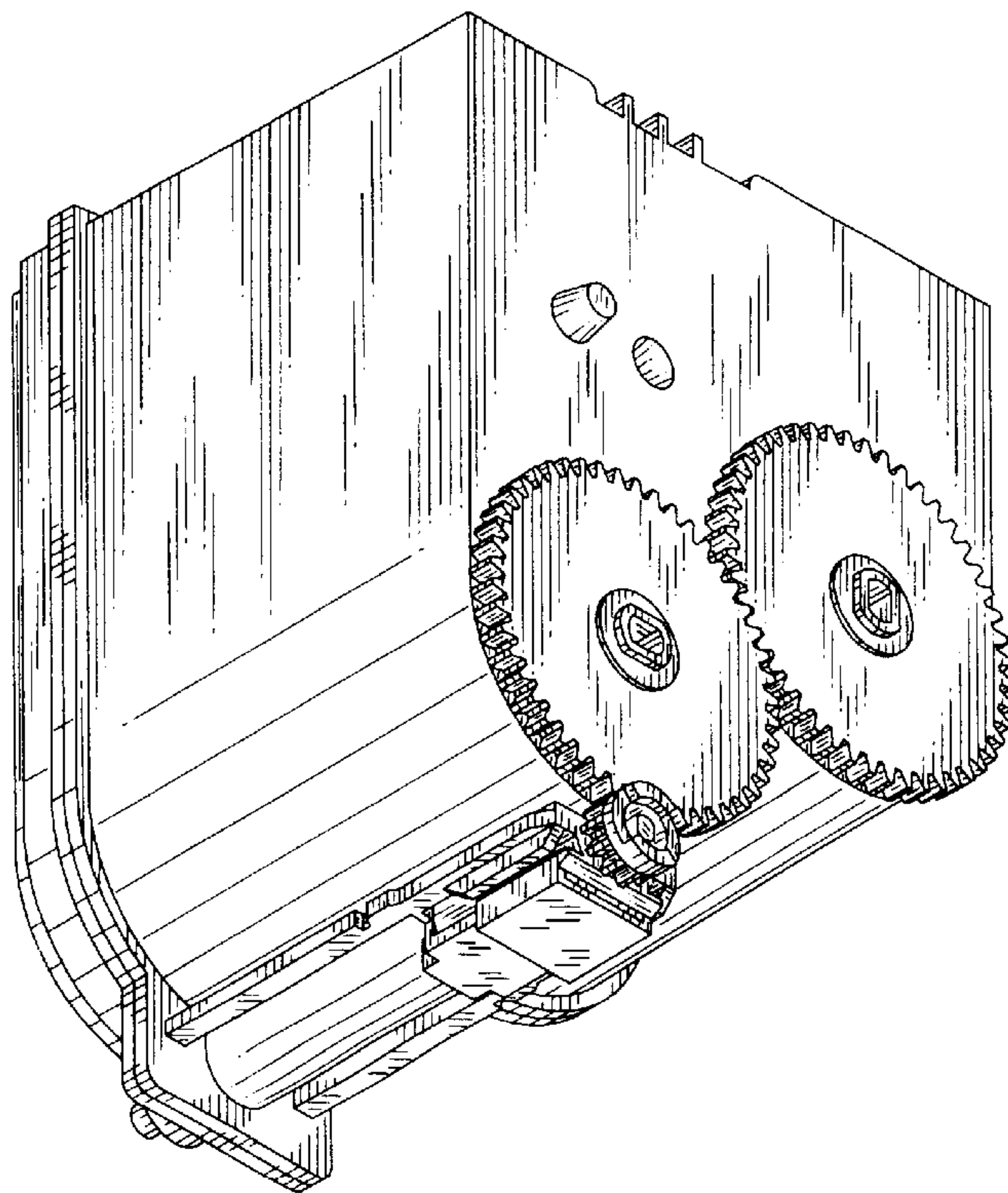


FIG. 2

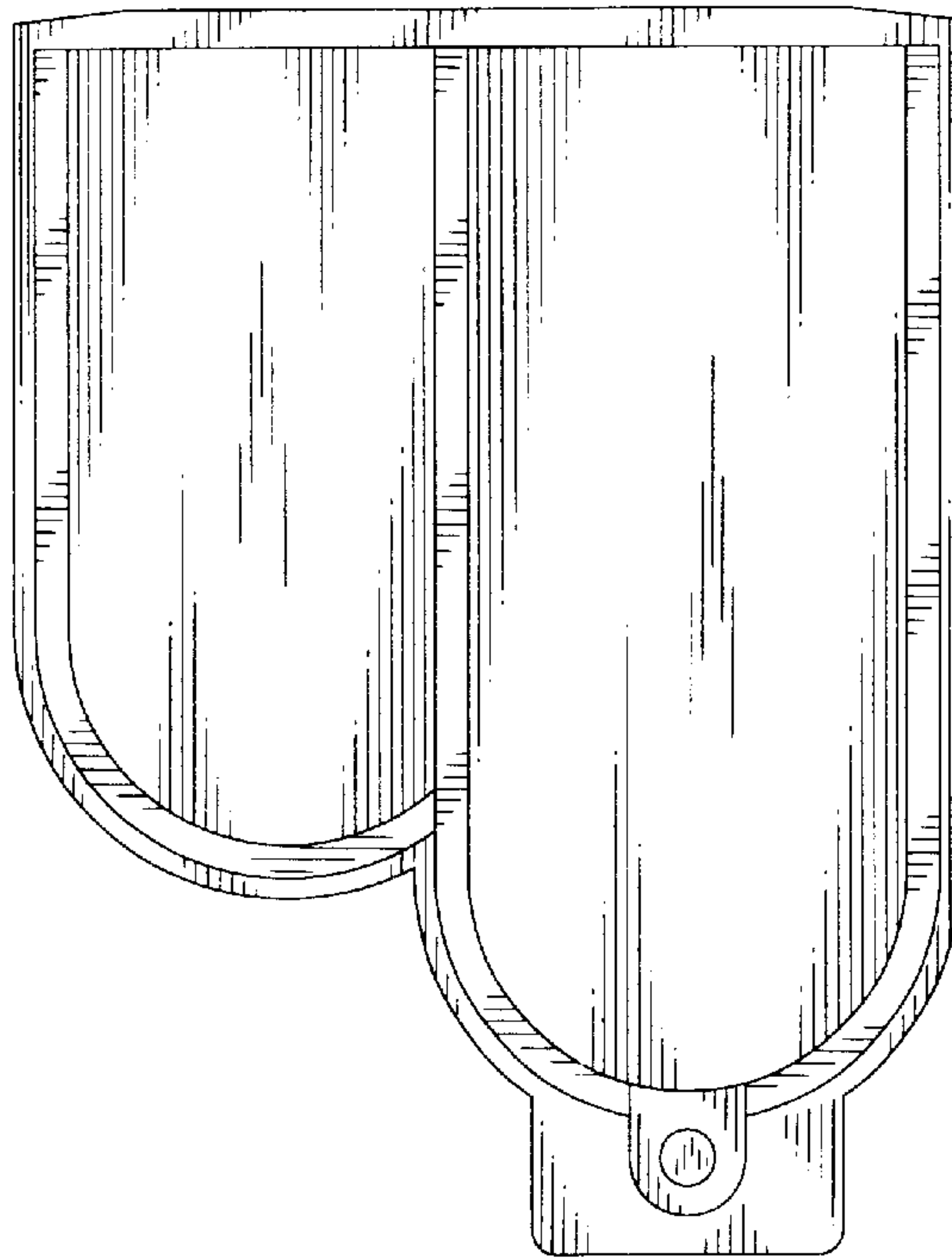


FIG. 3

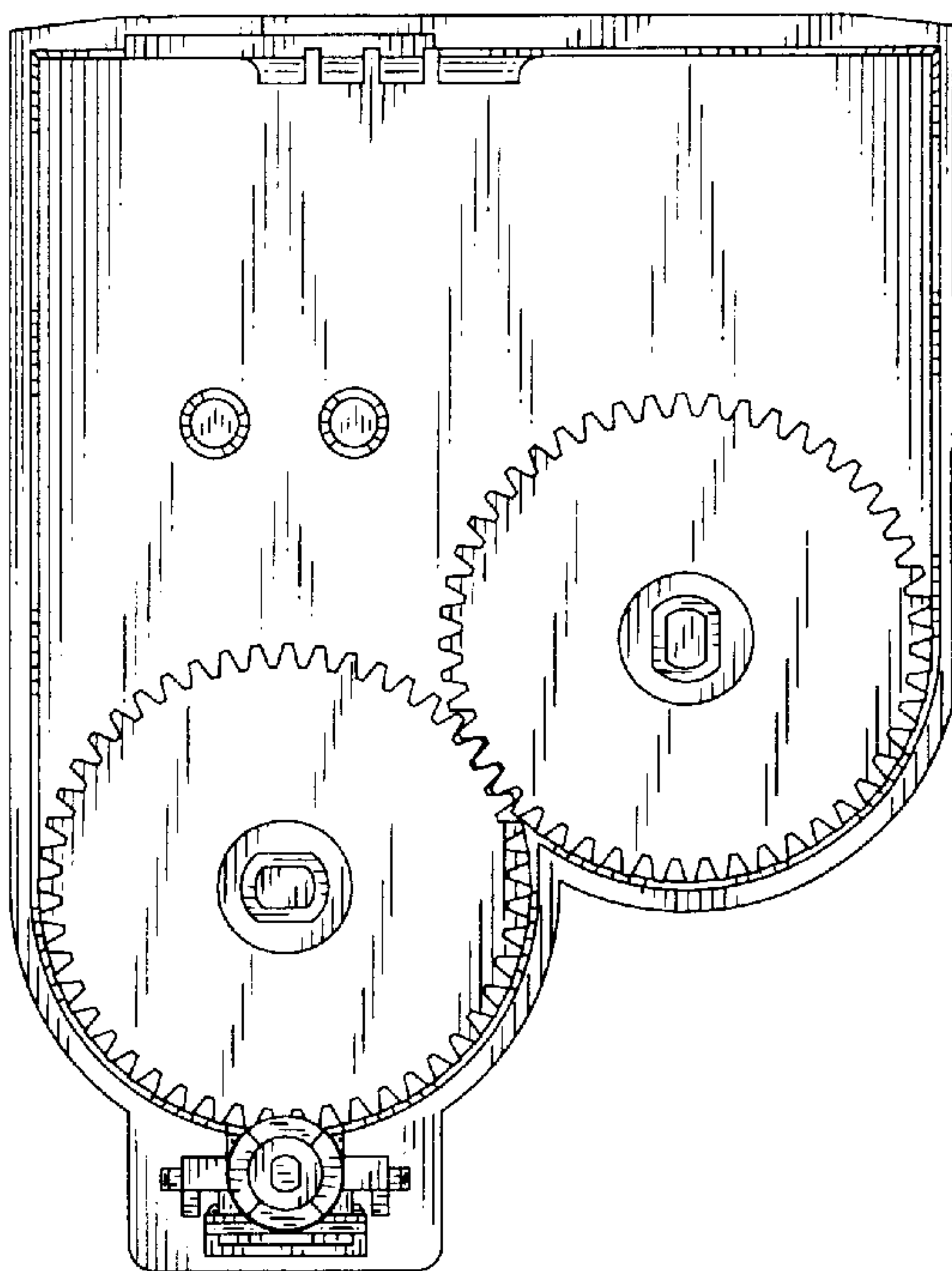


FIG. 4

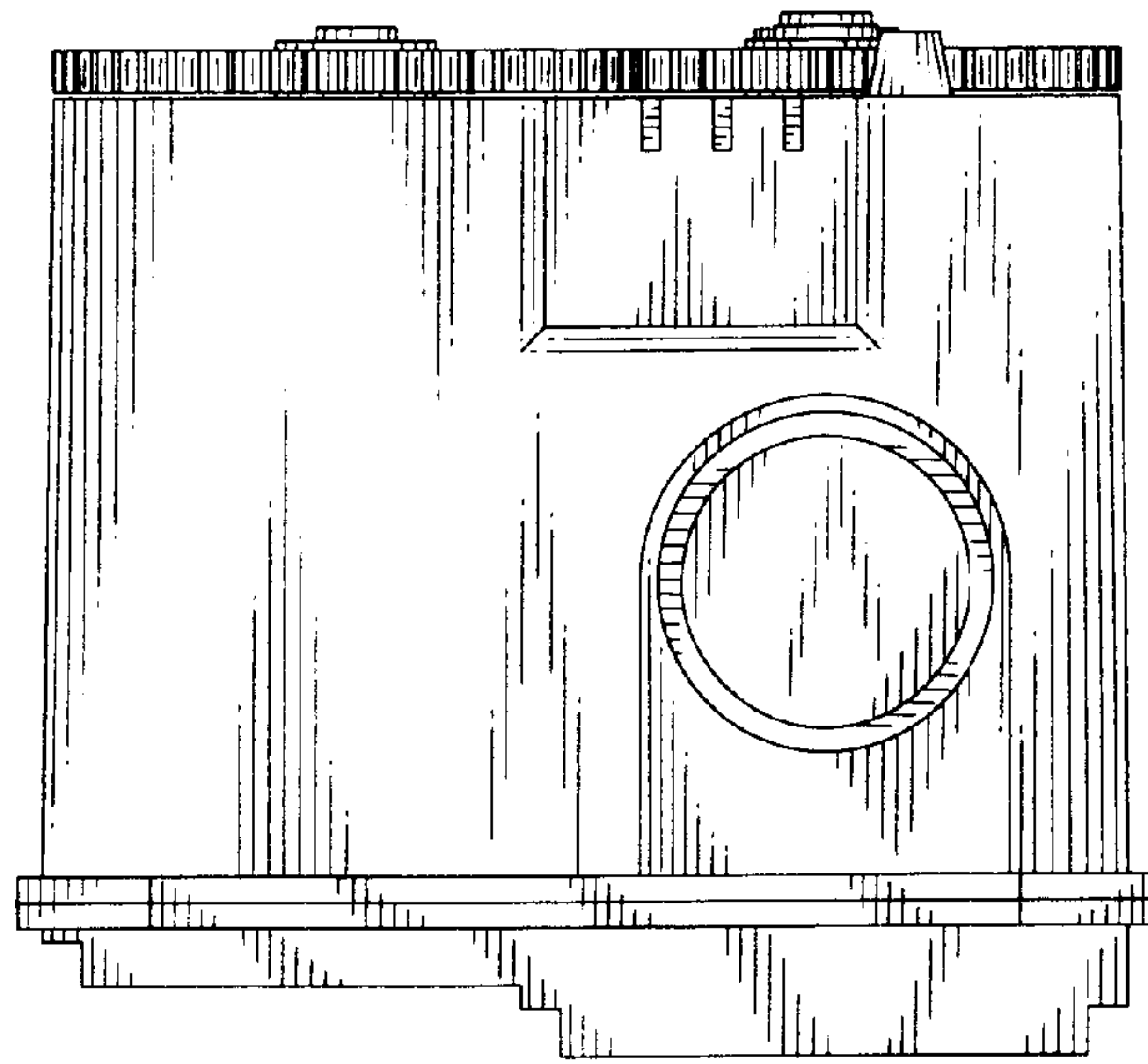


FIG. 5

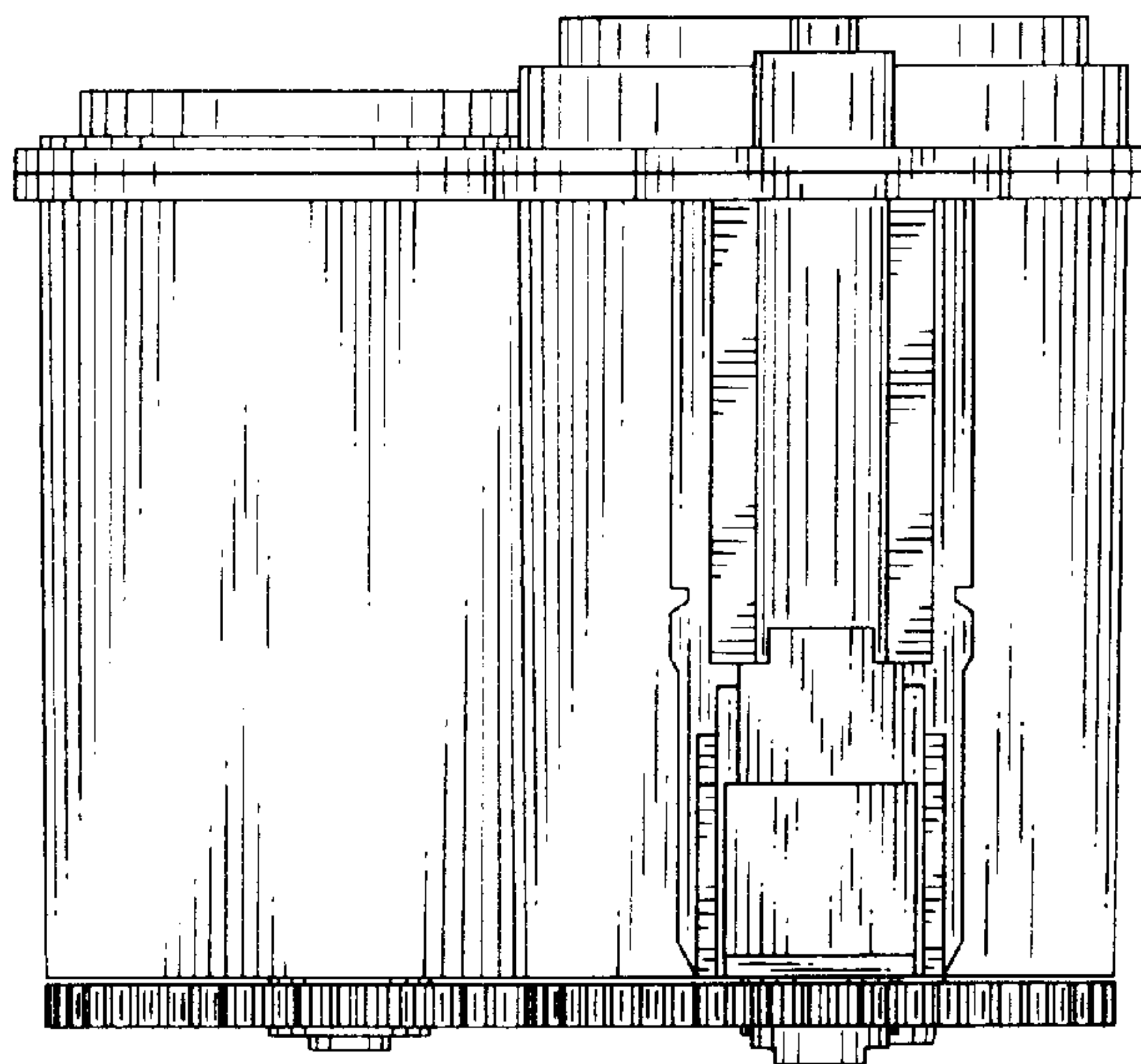


FIG. 6

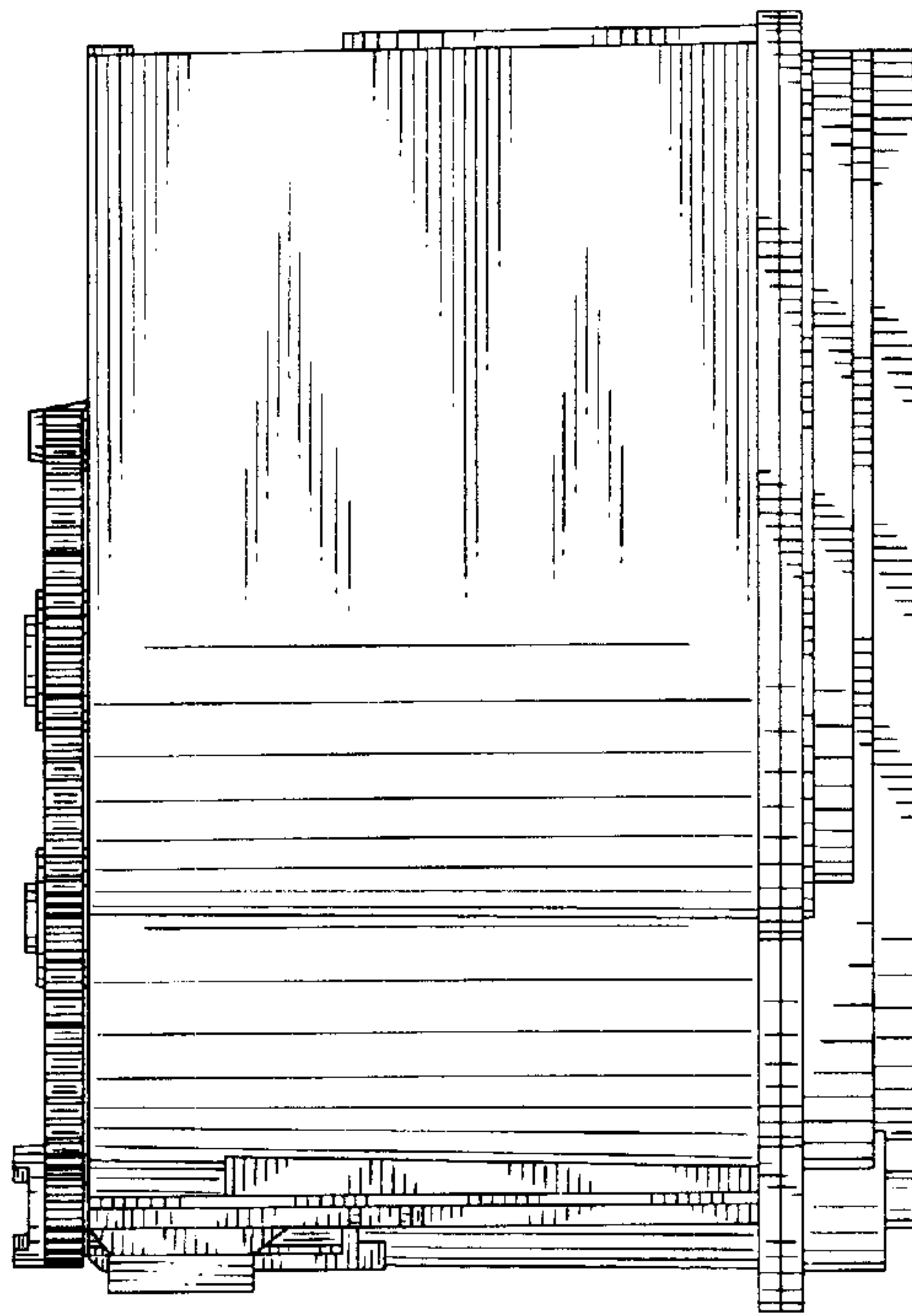


FIG. 7

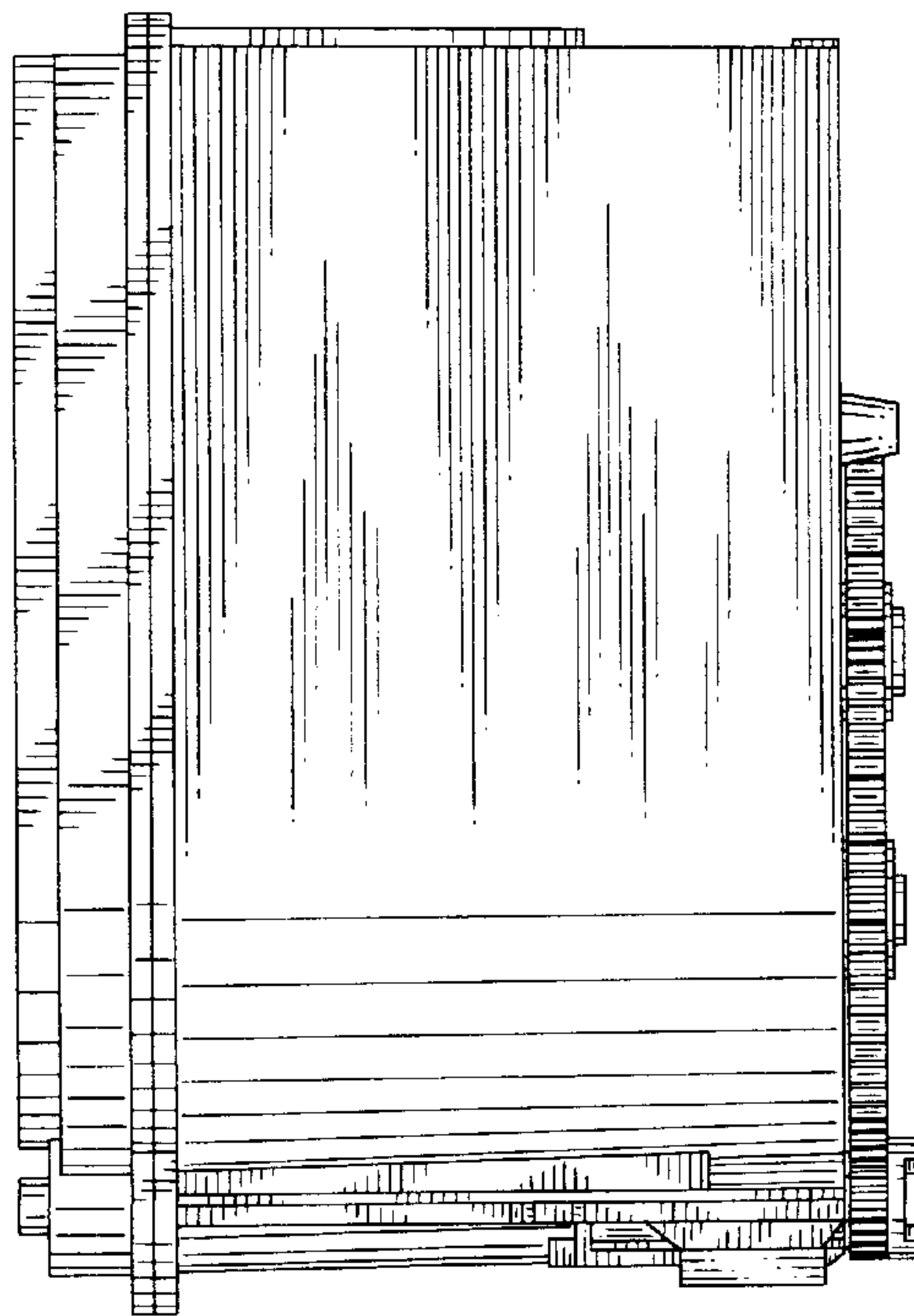


FIG. 8

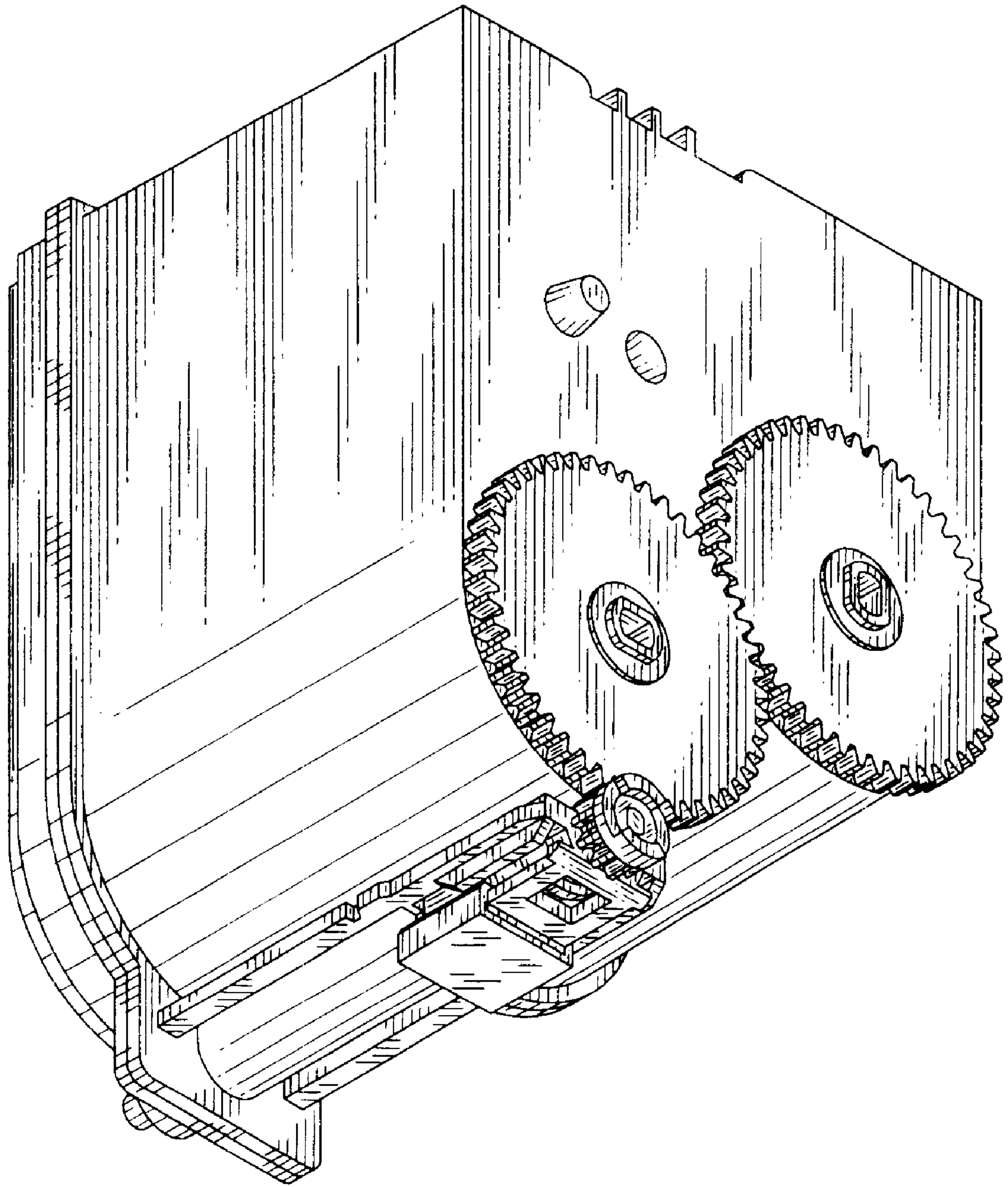


FIG. 9