



US00D471578S

(12) **United States Design Patent**  
**Okuley**

(10) **Patent No.:** **US D471,578 S**

(45) **Date of Patent:** **\*\* Mar. 11, 2003**

(54) **DIGITAL CAMERA STAND**

(75) Inventor: **James M. Okuley**, Portland, OR (US)

(73) Assignee: **Intel Corporation**, Santa Clara, CA (US)

(\*\*) Term: **14 Years**

(21) Appl. No.: **29/148,967**

(22) Filed: **Sep. 28, 2001**

(51) **LOC (7) Cl.** ..... **16-05**

(52) **U.S. Cl.** ..... **D16/242; D13/108**

(58) **Field of Search** ..... **D13/108; D16/200, D16/202, 219, 237, 242, 244, 245; 248/127, 346.01, 346.03, 187.1; 348/14.01-14.09, 14.1; 352/243; 396/419, 428**

(56) **References Cited**

**U.S. PATENT DOCUMENTS**

D355,920 S	*	2/1995	Shinano	.....	D16/202
D386,505 S	*	11/1997	Maeyama	.....	D16/202
D387,788 S	*	12/1997	Jeong et al.	.....	D16/202
D402,957 S	*	12/1998	Kuwayama et al.	.....	D13/108
D405,815 S	*	2/1999	Takizawa	.....	D16/242
5,900,907 A	*	5/1999	Malloy et al.	.....	348/14.1
D428,597 S	*	7/2000	Murata et al.	.....	D13/108

\* cited by examiner

*Primary Examiner*—Adir Aronovich

(74) *Attorney, Agent, or Firm*—Marger Johnson & McCollom, PC

(57) **CLAIM**

The ornamental design for a digital camera stand, as shown and described.

**DESCRIPTION**

FIG. 1 is a perspective view of my new design for a digital camera stand;

FIG. 2 is a side view of my new design for a digital camera stand;

FIG. 3 is a front view of my new design for a digital camera stand;

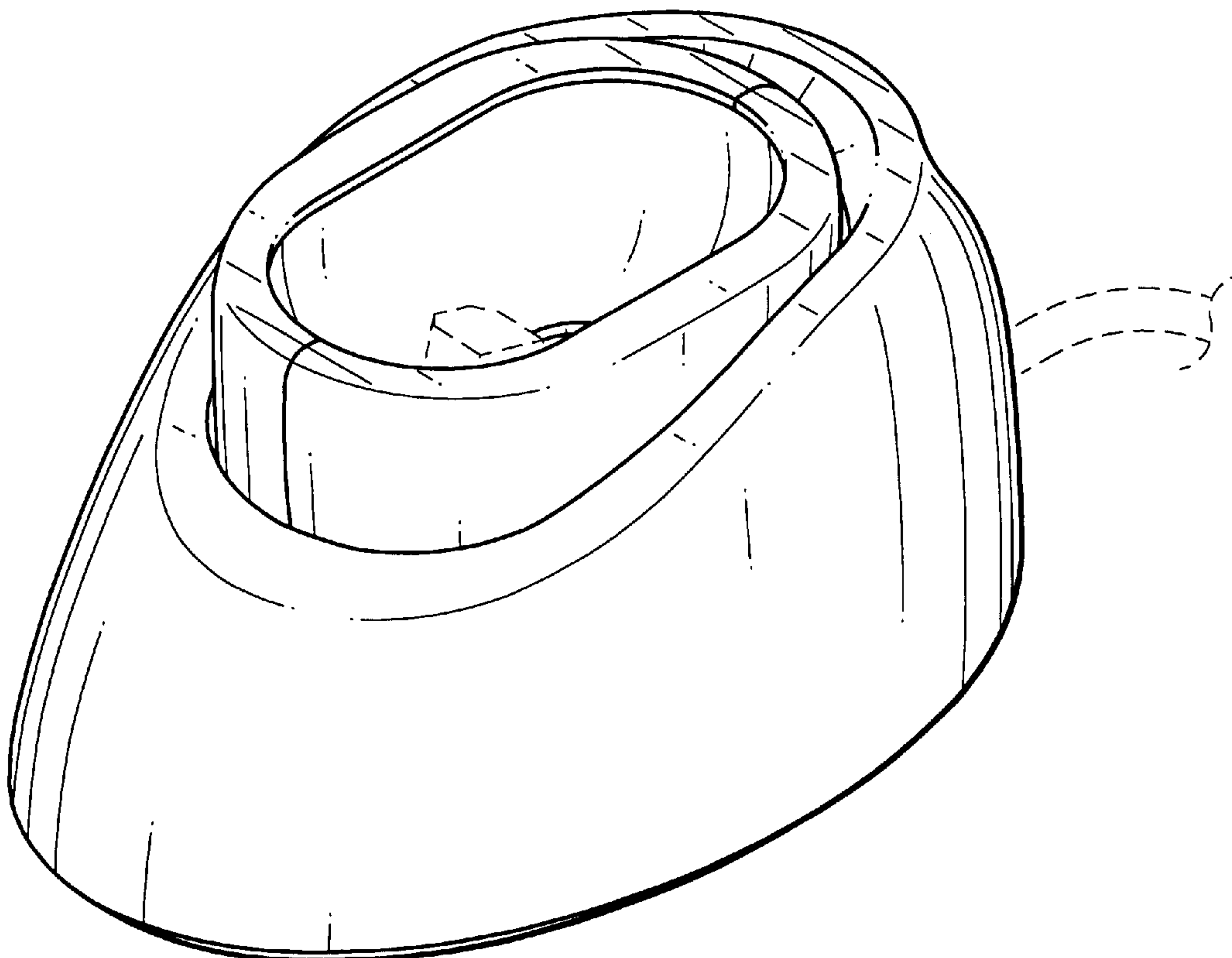
FIG. 4 is a top plan view of my new design for a digital camera stand;

FIG. 5 is a back view of my new design for a digital camera stand; and,

FIG. 6 is a bottom plan view of my new design for a digital camera stand.

The broken lines showing the Universal Serial Bus extension cord going into a digital camera stand with the outlet plug within the top section of the stand and leg members are for illustrative purposes only and form no part of the claimed design.

**1 Claim, 3 Drawing Sheets**



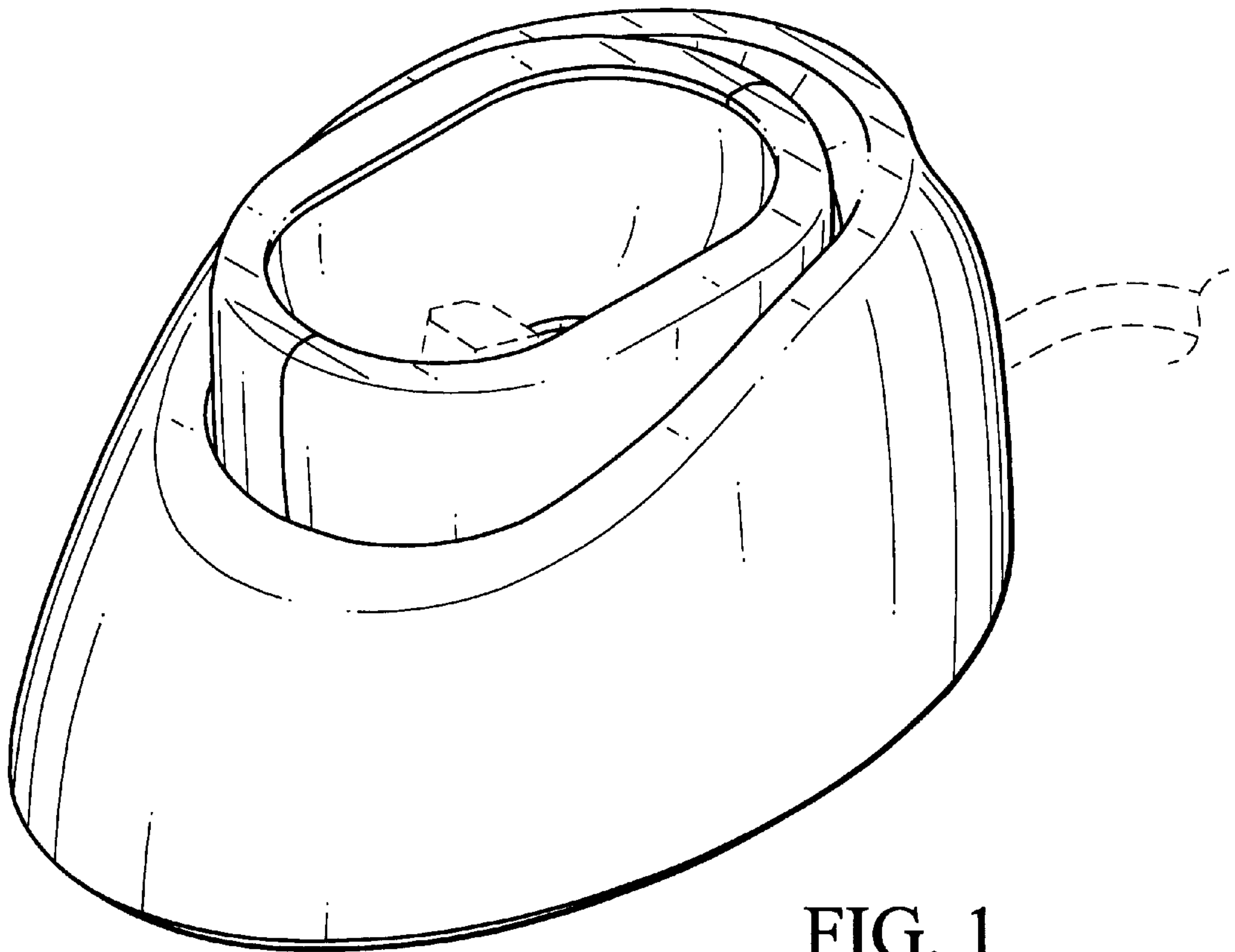


FIG. 1

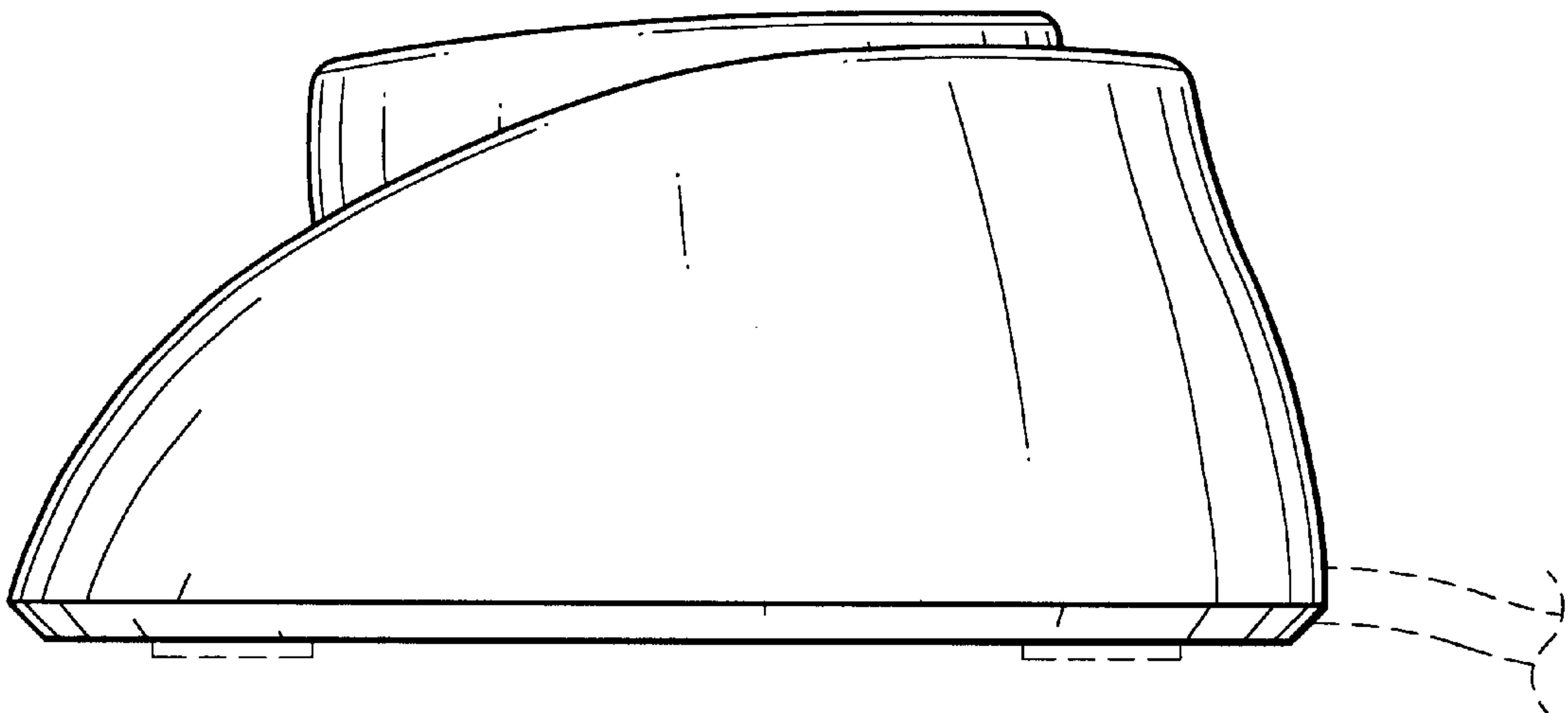


FIG. 2

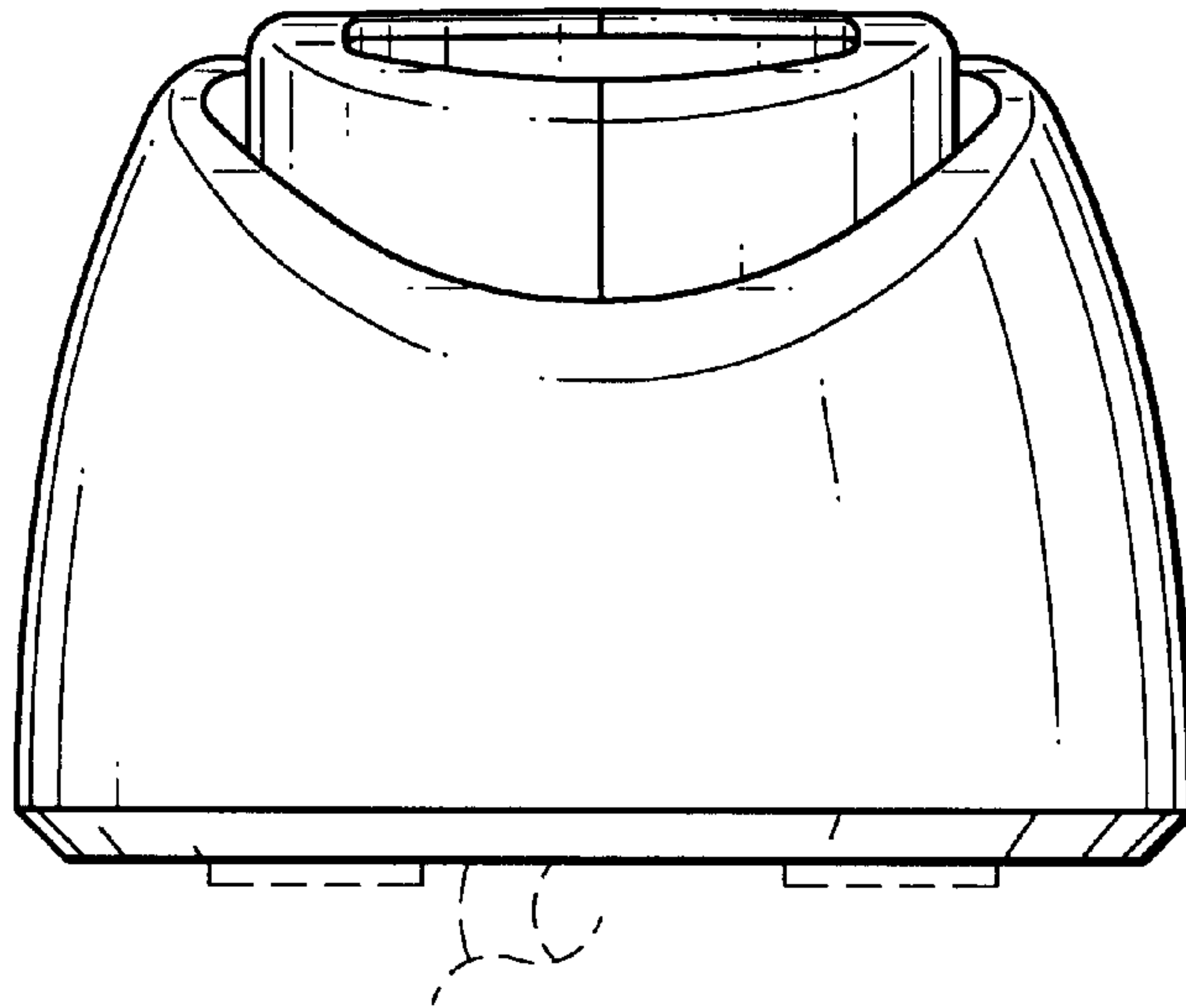


FIG. 3

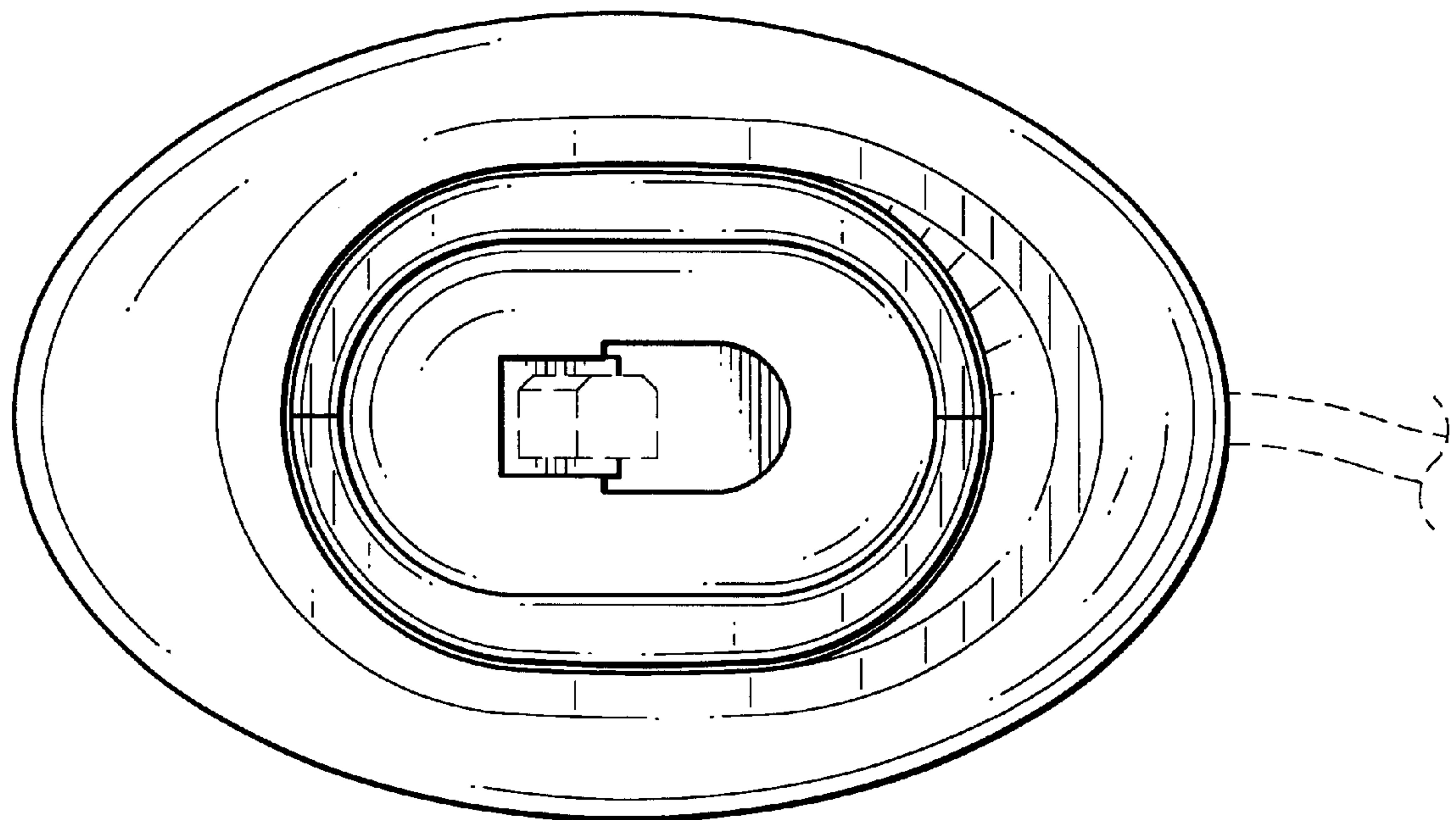


FIG. 4

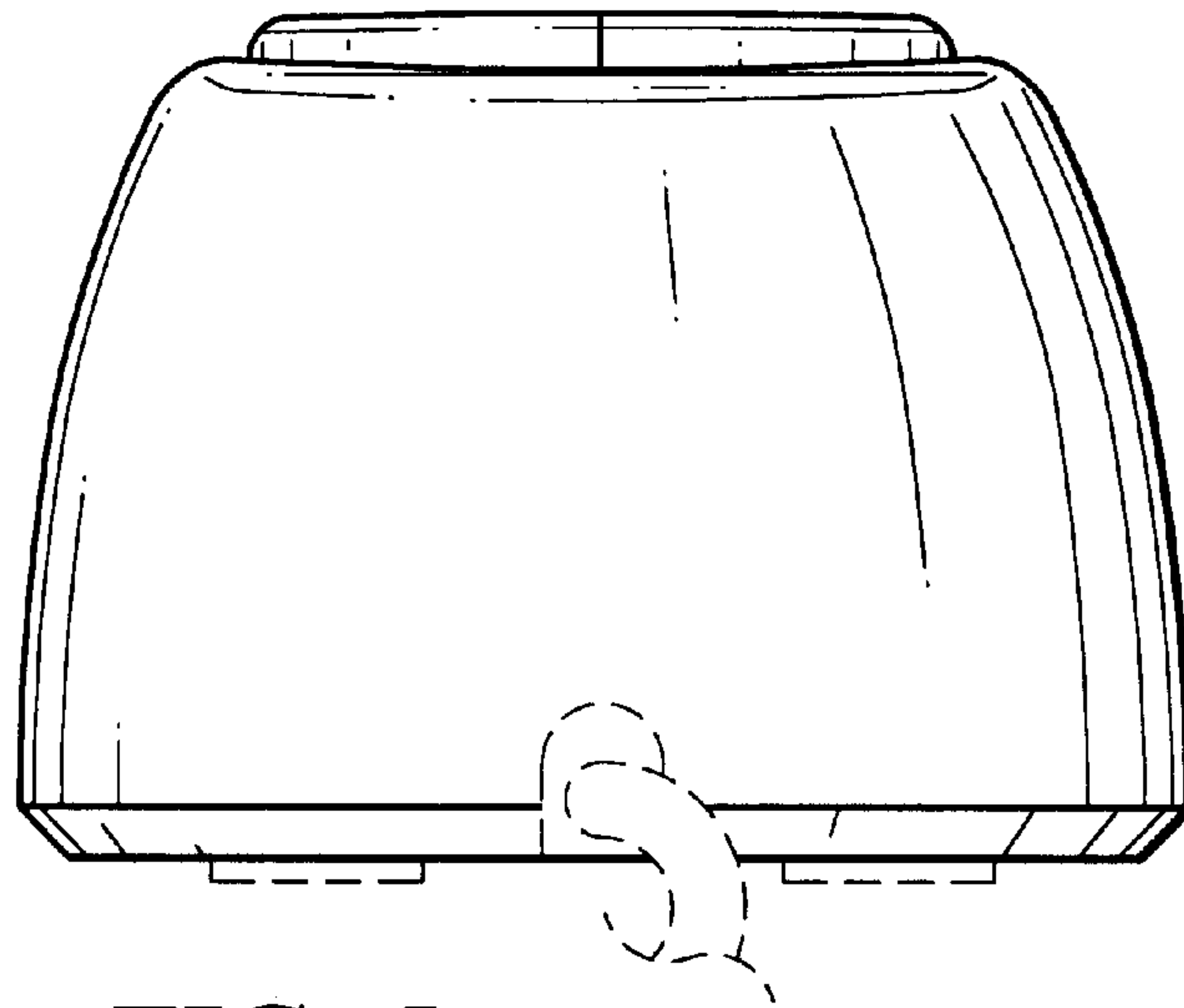


FIG. 5

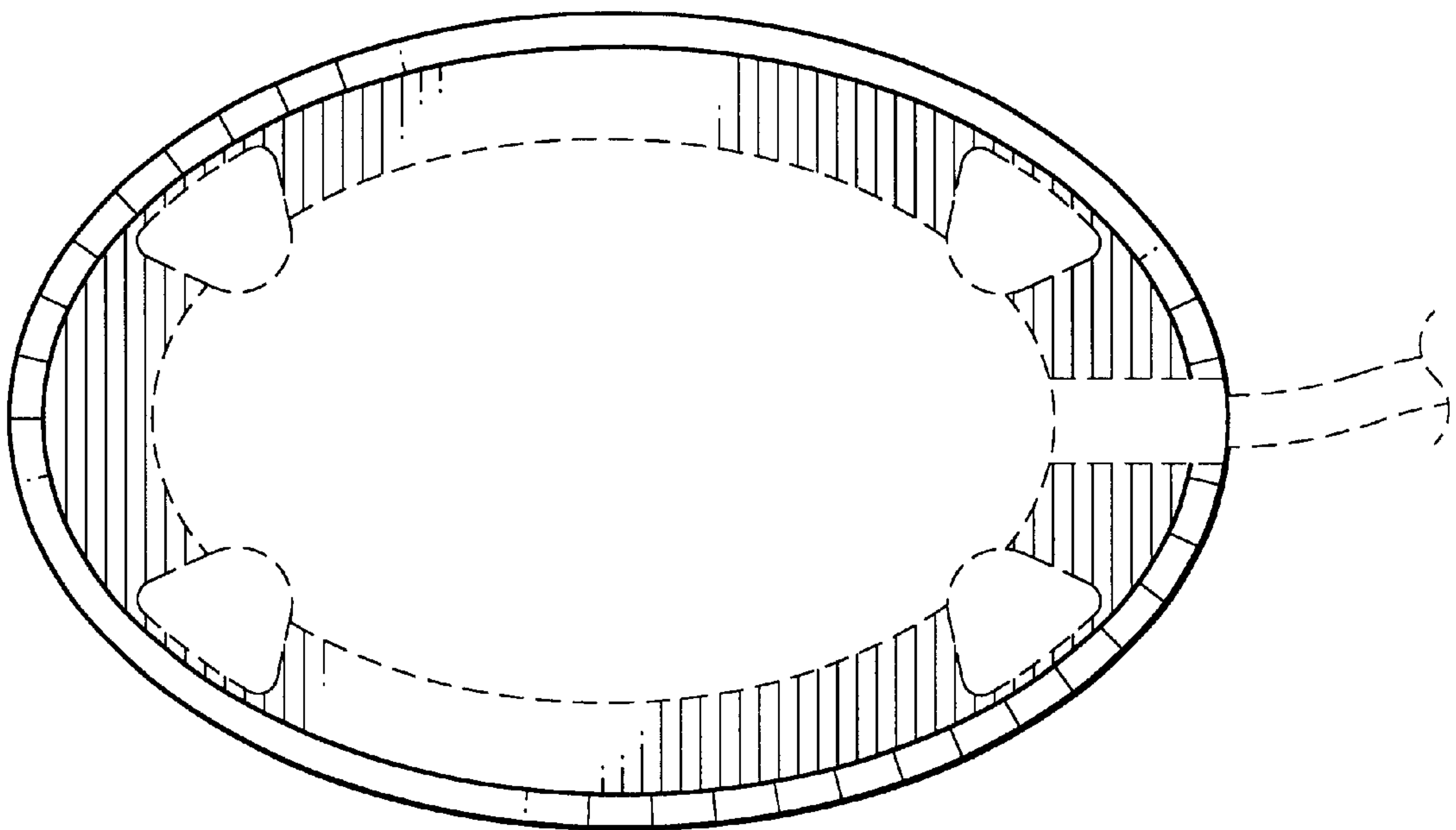


FIG. 6