



US00D471577S

(12) **United States Design Patent**
Horikiri

(10) **Patent No.:** **US D471,577 S**

(45) **Date of Patent:** **** Mar. 11, 2003**

(54) **ELECTRONIC STILL CAMERA**

(75) Inventor: **Kazuhisa Horikiri**, Tokyo (JP)

(73) Assignee: **Fuji Photo Film Co., Ltd.**, Kanagawa (JP)

(**) Term: **14 Years**

(21) Appl. No.: **29/150,176**

(22) Filed: **Nov. 13, 2001**

(30) **Foreign Application Priority Data**

May 11, 2001 (JP) 2001-013526

(51) **LOC (7) Cl.** **16-05**

(52) **U.S. Cl.** **D16/219; D16/212**

(58) **Field of Search** D16/200-204,
D16/208, 209, 211, 212, 218, 219, 237;
348/373-376; 396/348, 349, 448, 535, 536-541

(56) **References Cited**

U.S. PATENT DOCUMENTS

- D369,372 S * 4/1996 Ishikawa et al. D16/218
- D401,258 S 11/1998 Tanaka D16/218
- D410,665 S * 6/1999 Shinano D16/202
- 5,913,089 A * 6/1999 Ebe 396/448
- D436,611 S * 1/2001 Yoshida et al. D16/219
- D449,846 S * 10/2001 Suzuki et al. D16/219

D450,072 S 11/2001 Katayama D16/202
2002/0036702 A1 * 3/2002 Ohnogi 348/373

* cited by examiner

Primary Examiner—Adir Aronovich

(74) *Attorney, Agent, or Firm*—Young & Thompson

(57) **CLAIM**

The ornamental design for an electronic still camera, as shown and described.

DESCRIPTION

FIG. 1 is a top, front and side perspective view of an electronic still camera showing my new design;
 FIG. 2 is a front elevational view thereof;
 FIG. 3 is a rear elevational view thereof;
 FIG. 4 is a top plan view thereof;
 FIG. 5 is a bottom plan view thereof;
 FIG. 6 is a side elevational view thereof from the left of FIG. 1;
 FIG. 7 is a side elevational view thereof from the right of FIG. 1; and,
 FIG. 8 is a view similar to FIG. 1 but with the parts in a different position.

The parts shown in broken line form no part of the claimed design but merely show the environment in which the claimed design is found.

1 Claim, 4 Drawing Sheets

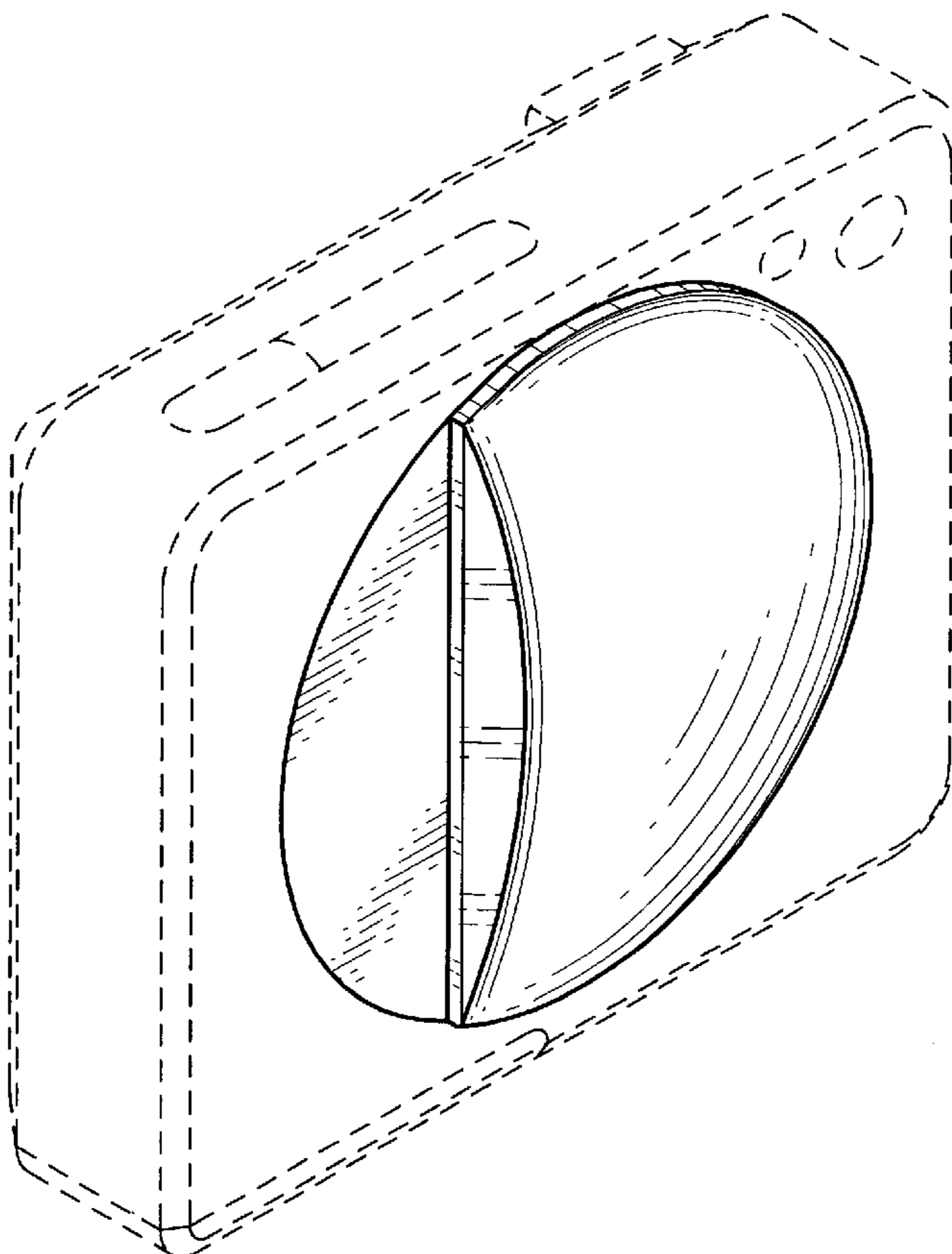


FIG. 1

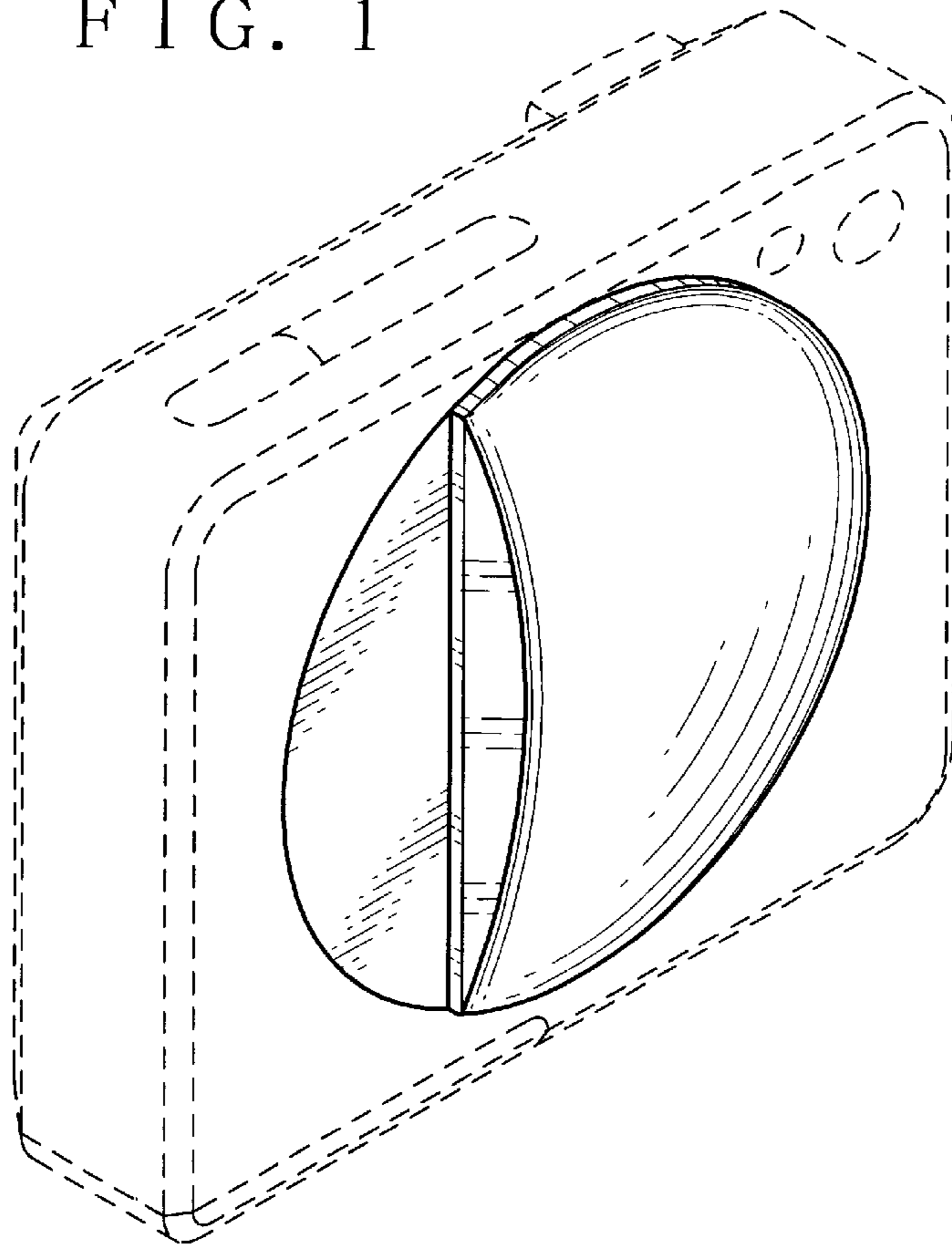


FIG. 2

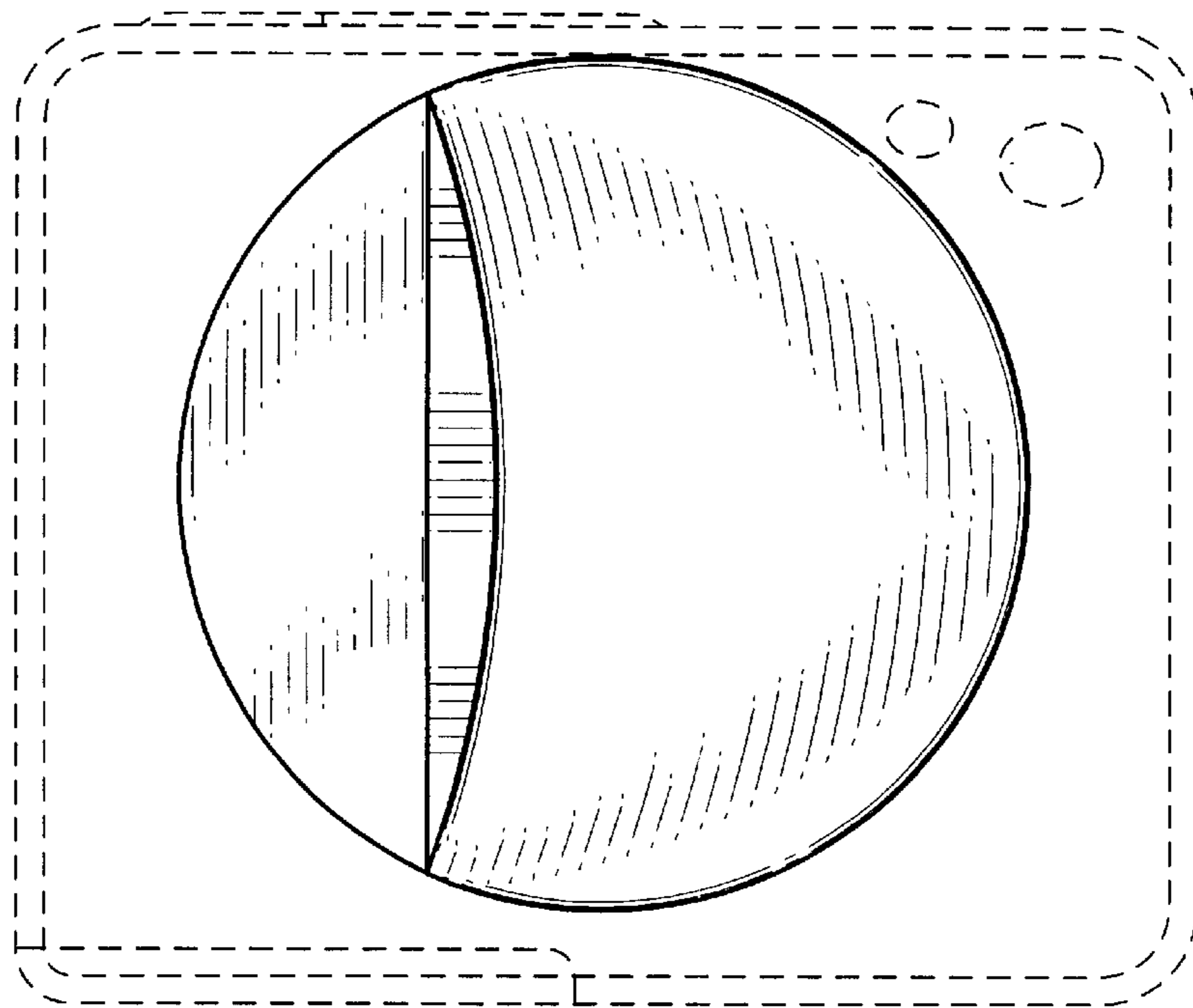


FIG. 3

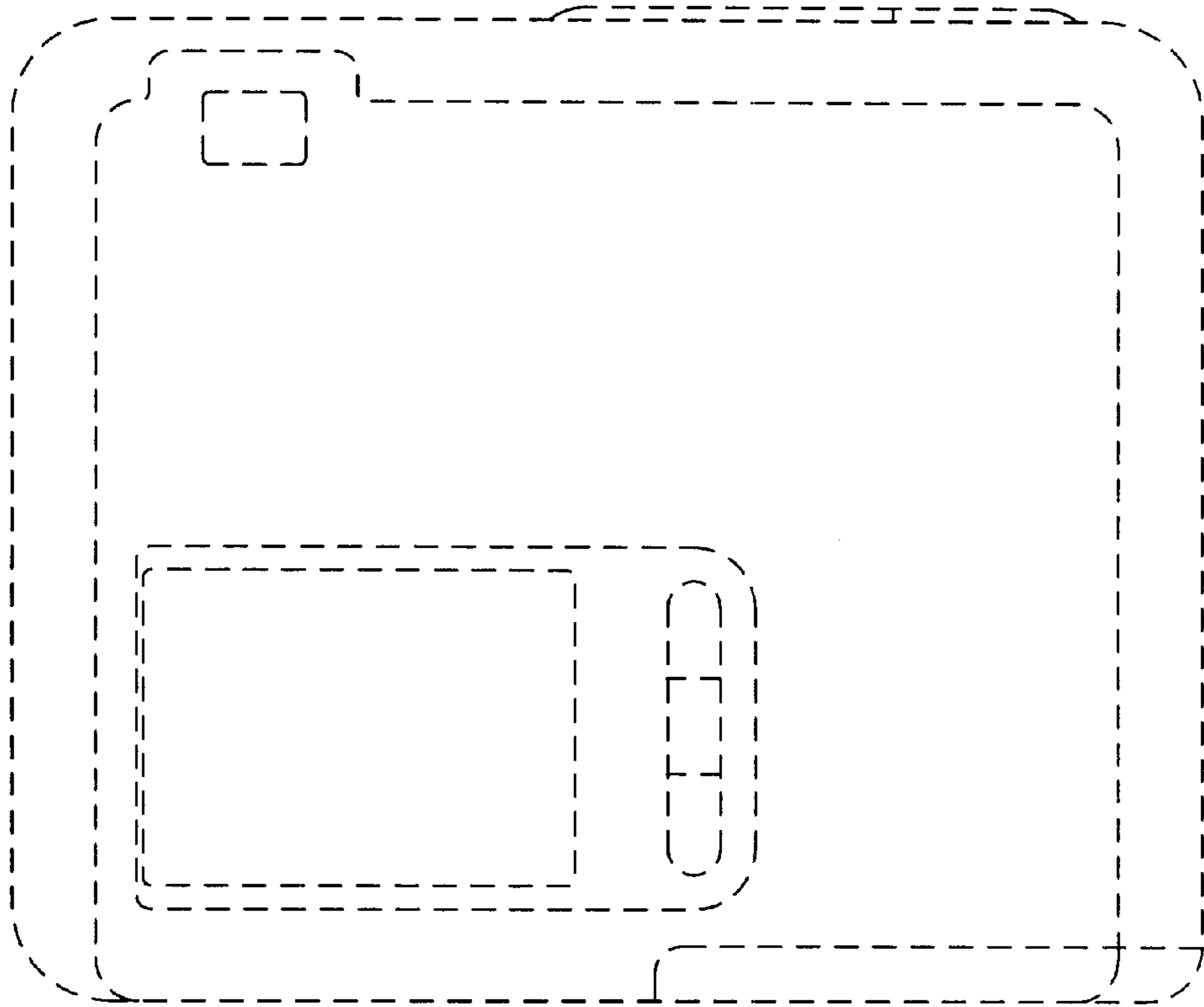
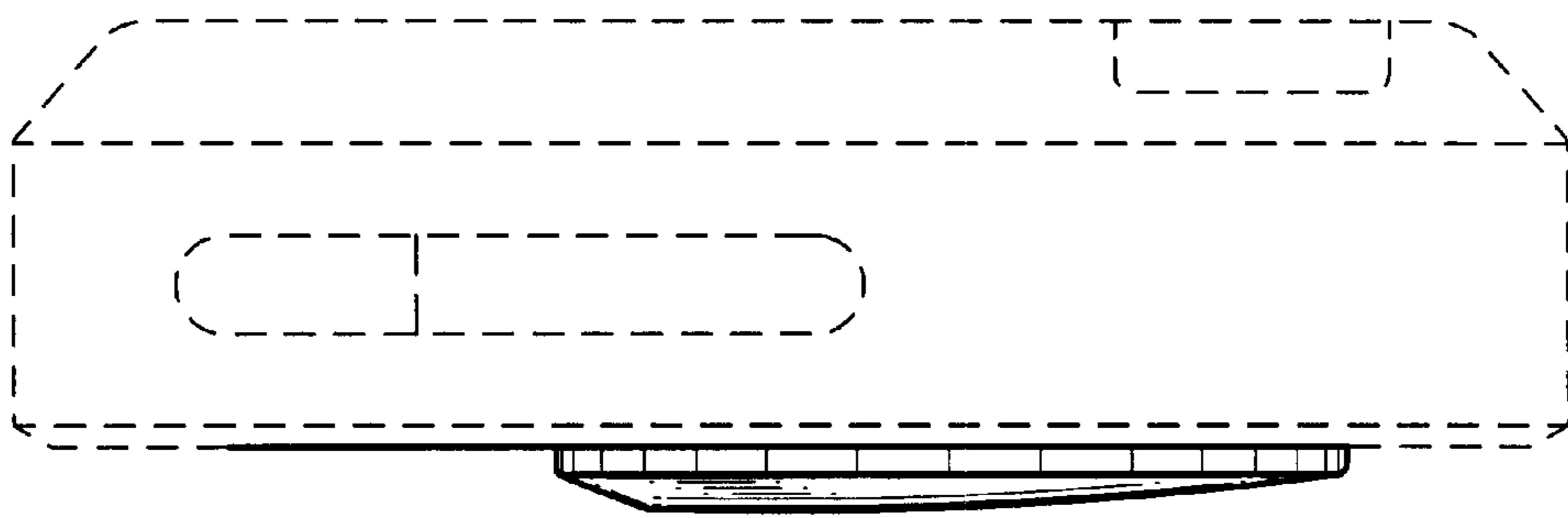
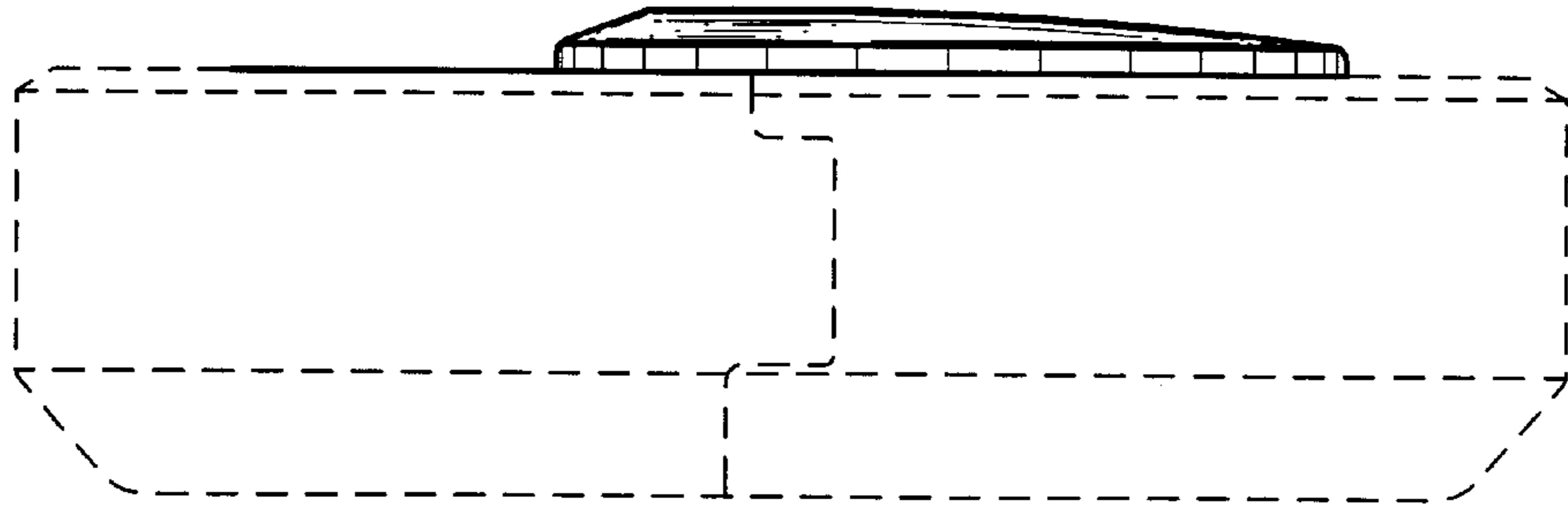


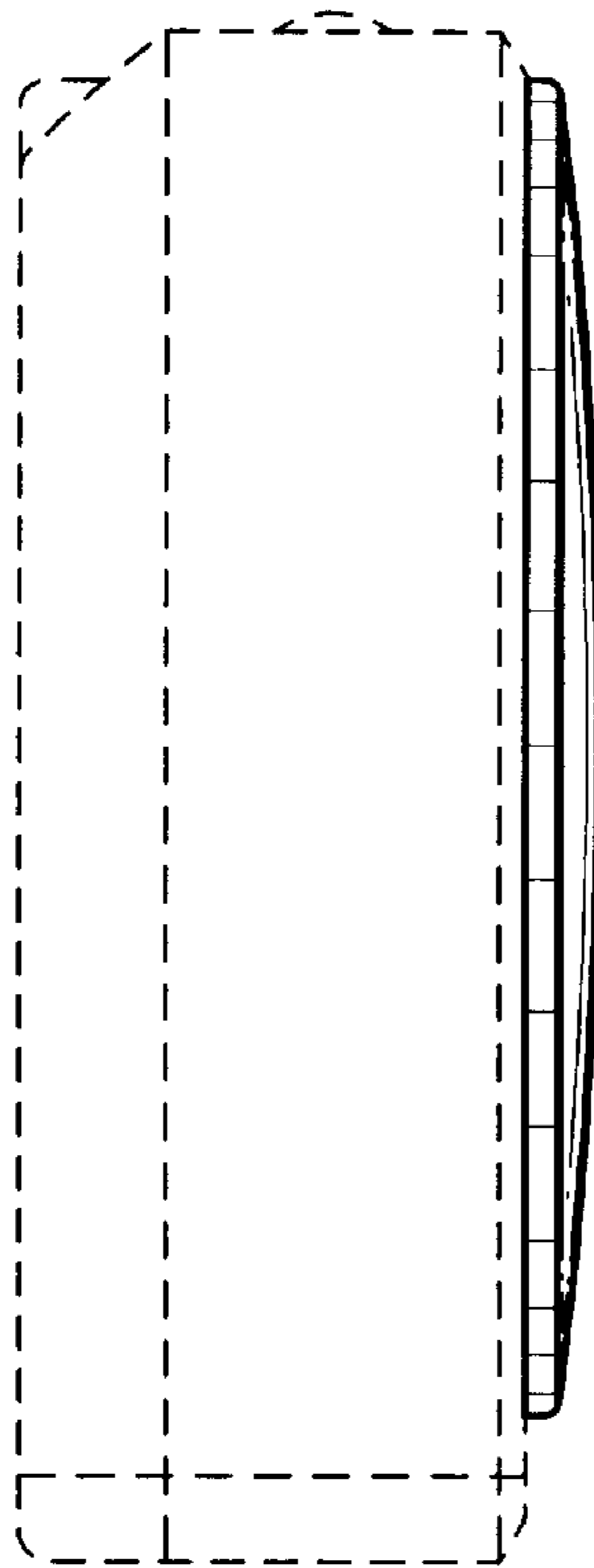
FIG. 4



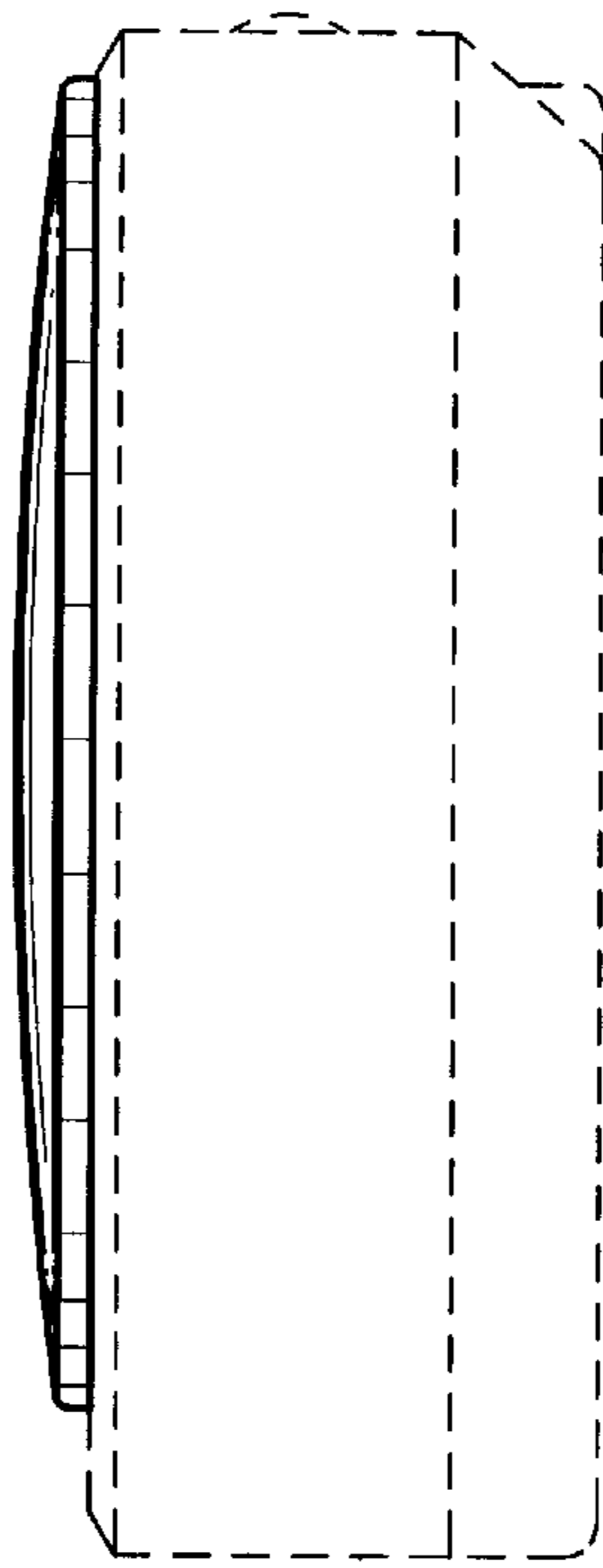
F I G . 5



F I G . 6



F I G . 7



F I G . 8

