



US00D471576S

(12) **United States Design Patent**
Nasu

(10) **Patent No.:** **US D471,576 S**

(45) **Date of Patent:** **** Mar. 11, 2003**

(54) **CONTROL MEMBER FOR A DIGITAL CAMERA**

(75) **Inventor:** **Miyoshi Nasu, Tokyo (JP)**

(73) **Assignee:** **Asahi Kogaku Kogyo Kabushiki Kaisha, Tokyo (JP)**

(**) **Term:** **14 Years**

(21) **Appl. No.:** **29/146,050**

(22) **Filed:** **Aug. 3, 2001**

(30) **Foreign Application Priority Data**

Feb. 6, 2001 (JP) 2001-002622

(51) **LOC (7) Cl.** **16-05**

(52) **U.S. Cl.** **D16/219; D13/162**

(58) **Field of Search** D13/162, 168;
D14/392, 401, 406, 454, 456; D16/219,
237; 348/373-376, 734; 200/5 A; 345/160;
396/299, 535, 536-541

(56) **References Cited**

U.S. PATENT DOCUMENTS

5,294,121 A * 3/1994 Chiang 200/5 A
D366,027 S * 1/1996 Hout D13/162
D366,256 S * 1/1996 Landry et al. D14/392
D393,290 S * 4/1998 Goto D14/401

5,973,757 A * 10/1999 Aubuchon et al. 348/734
D433,461 S * 11/2000 Goto D21/330
D450,338 S * 11/2001 Hamamura D16/237
6,415,106 B2 * 7/2002 Hayashi et al. 396/299

FOREIGN PATENT DOCUMENTS

JP 11117002 6/2001

* cited by examiner

Primary Examiner—Adir Aronovich

(74) *Attorney, Agent, or Firm*—Sughrue Mion, PLLC

(57) **CLAIM**

The ornamental design for a control member for a digital camera, as shown and described.

DESCRIPTION

FIG. 1 is a perspective view of the rear, top and right side of control member for a digital camera showing my new design;

FIG. 2 is a front view;

FIG. 3 is a top plan view thereof;

FIG. 4 is a right side elevational view thereof;

FIG. 5 is a left side elevational view thereof;

FIG. 6 is a rear plan view thereof; and,

FIG. 7 is a bottom plan view thereof.

The broken lines shown in all views are to illustrate environment only and form no part of the claimed design.

1 Claim, 3 Drawing Sheets

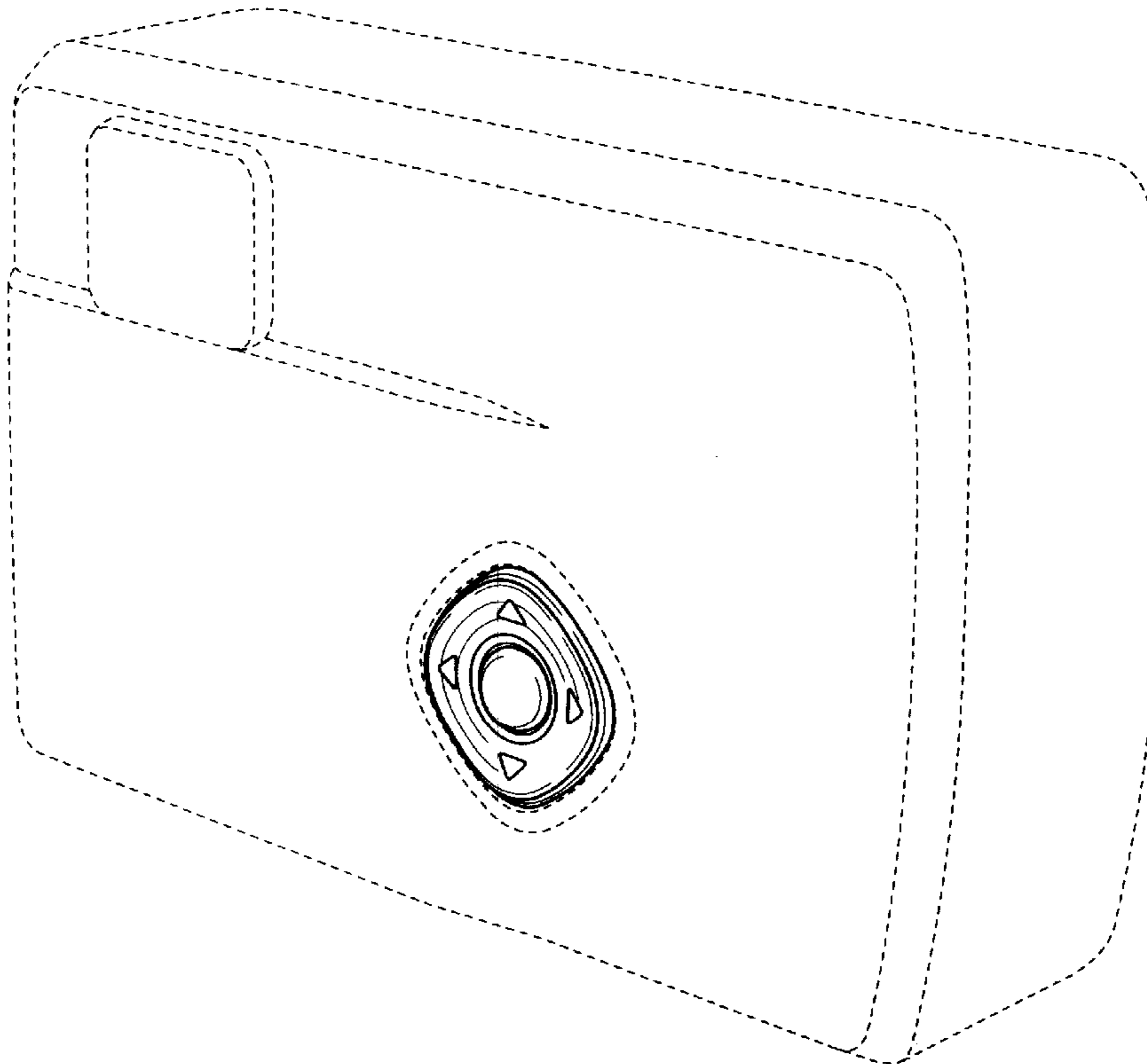


FIG. 1

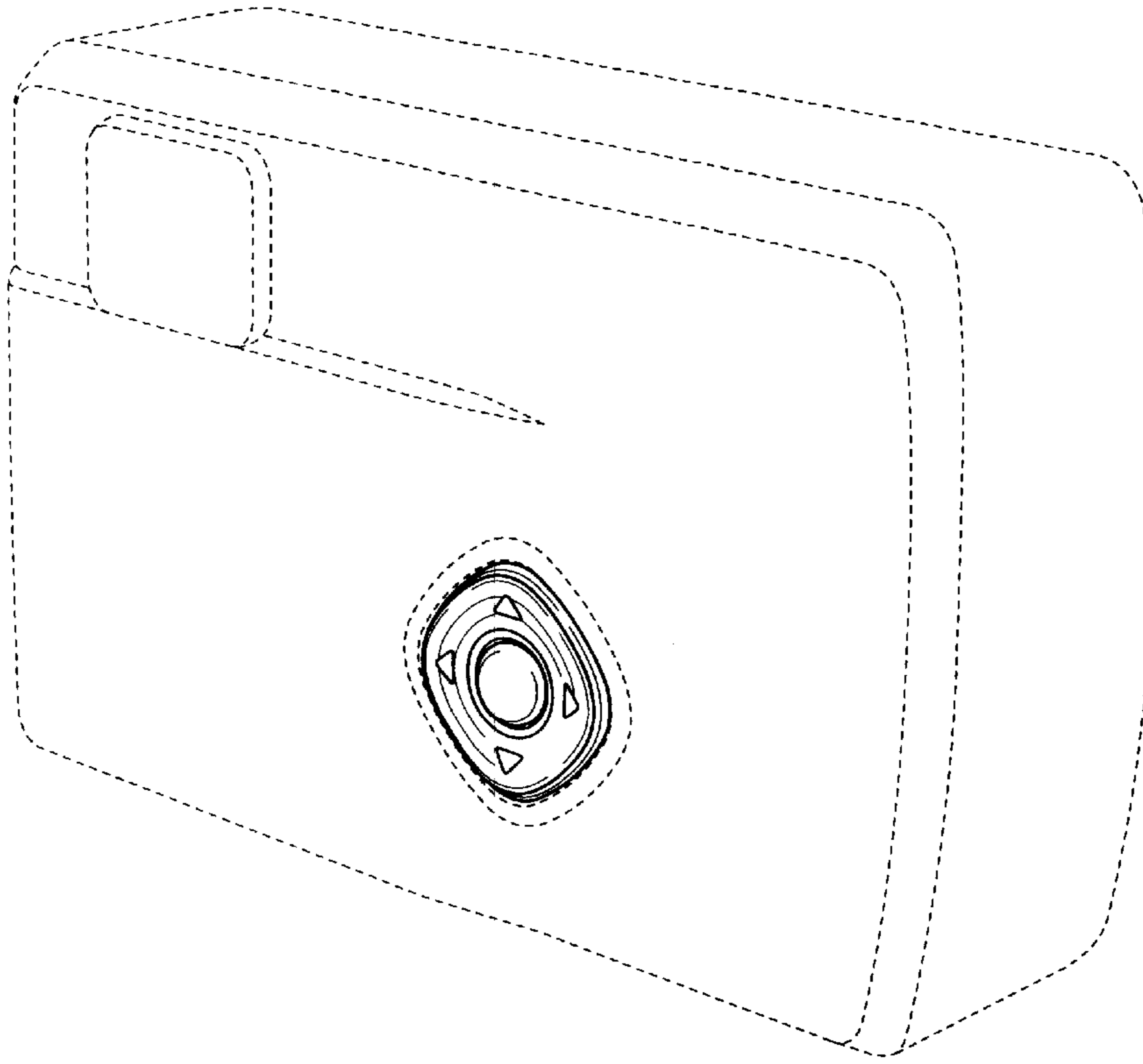


FIG. 2

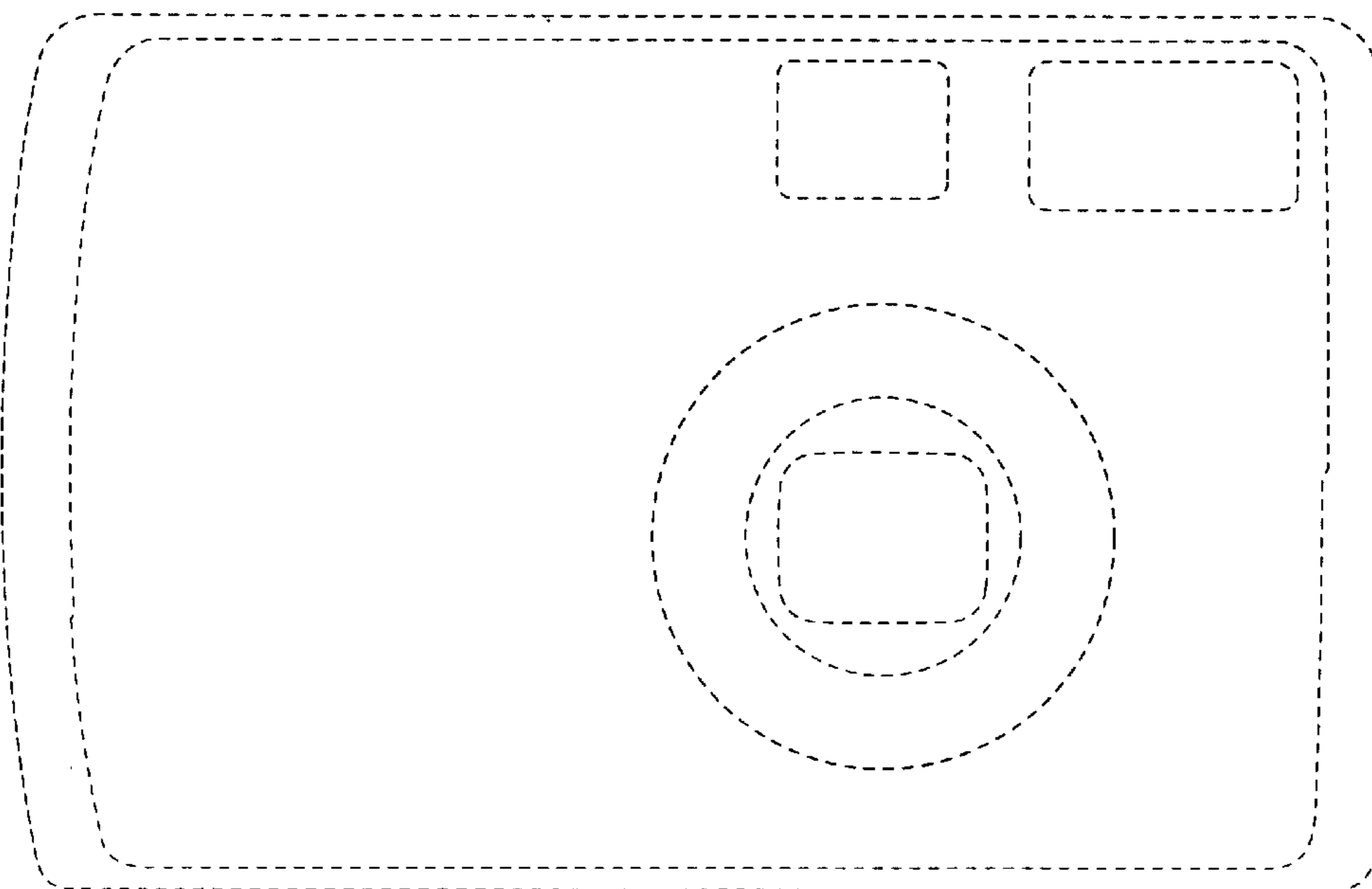


FIG. 3

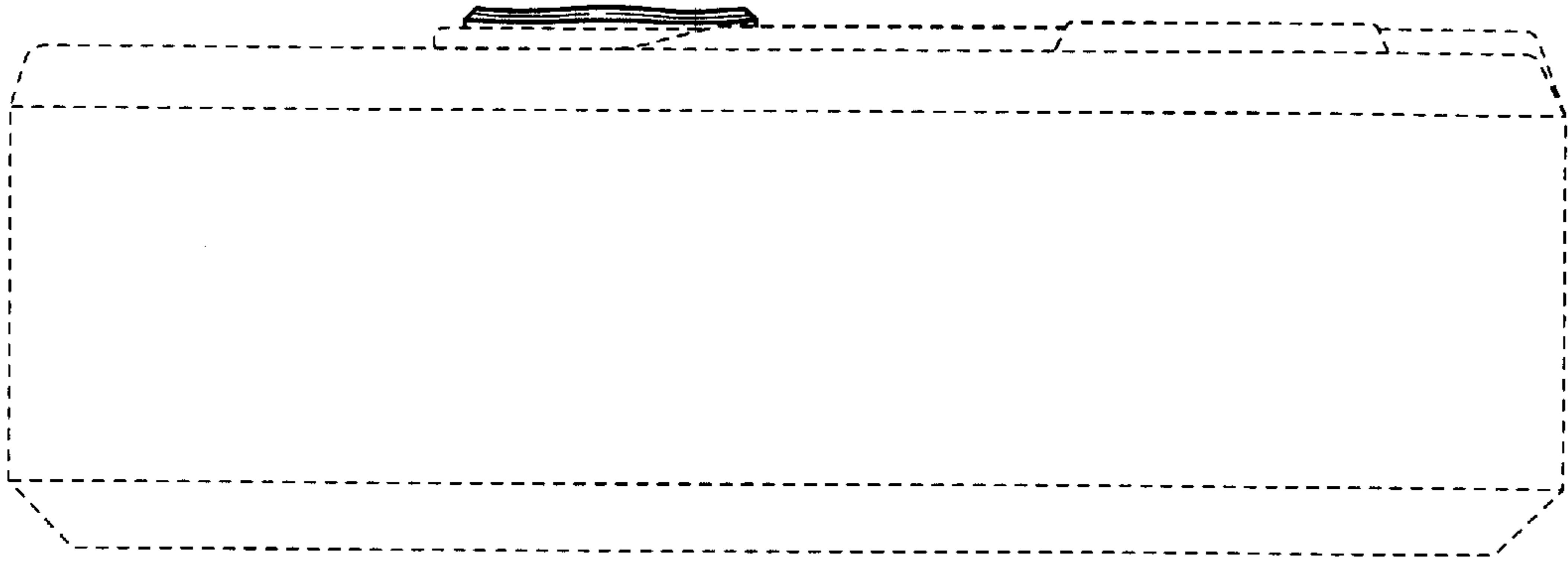


FIG. 4

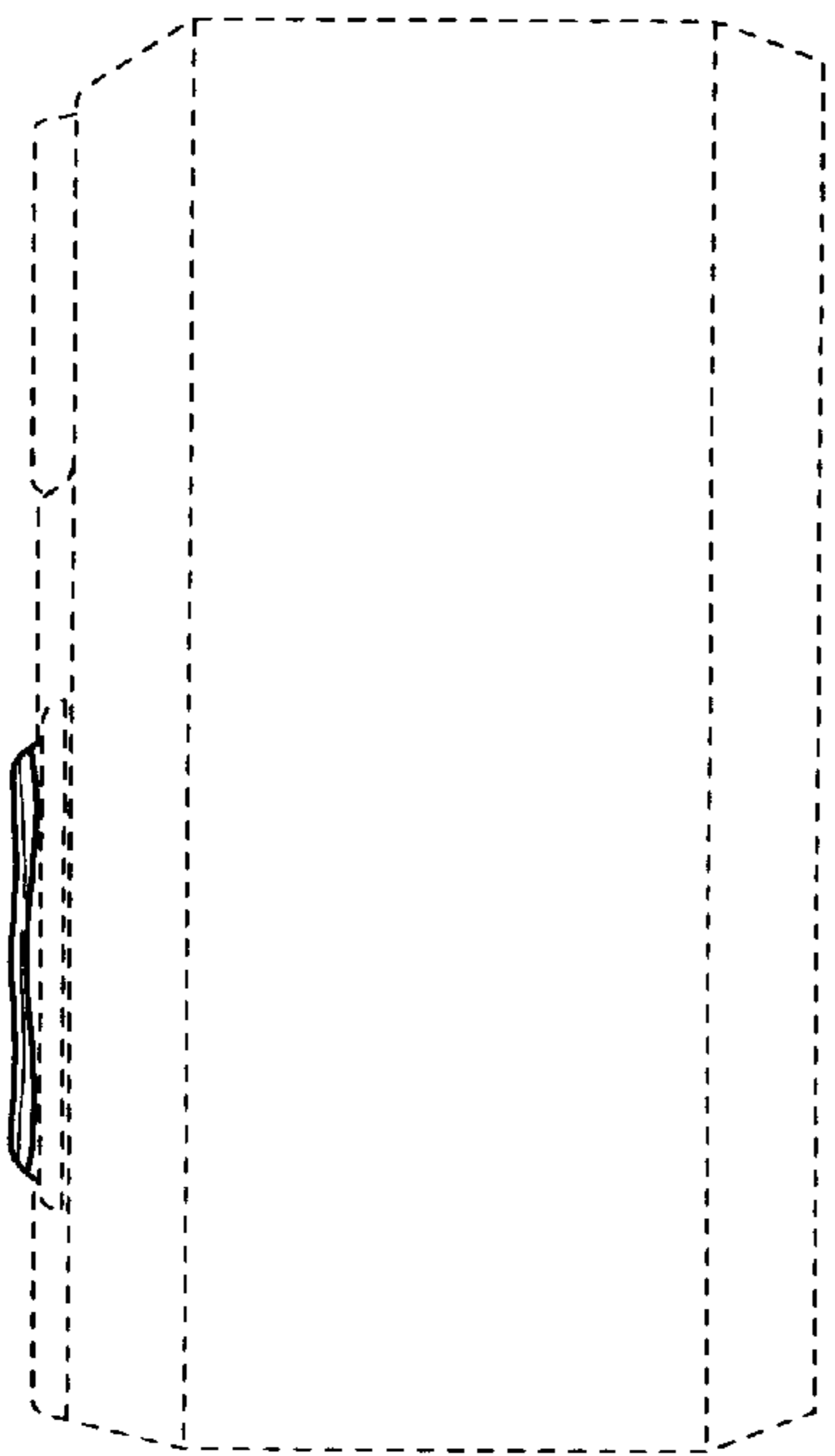


FIG. 5

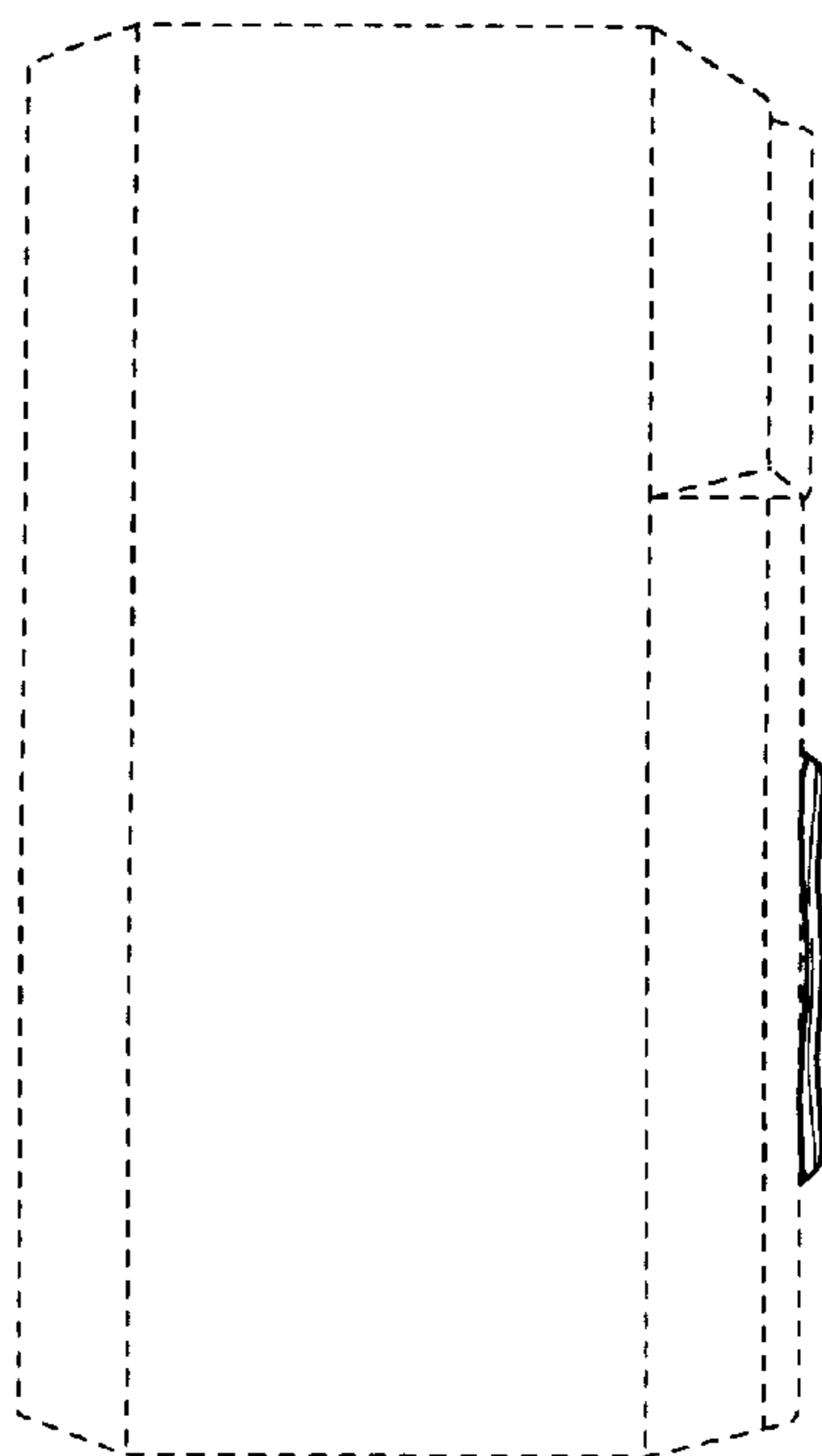


FIG. 6

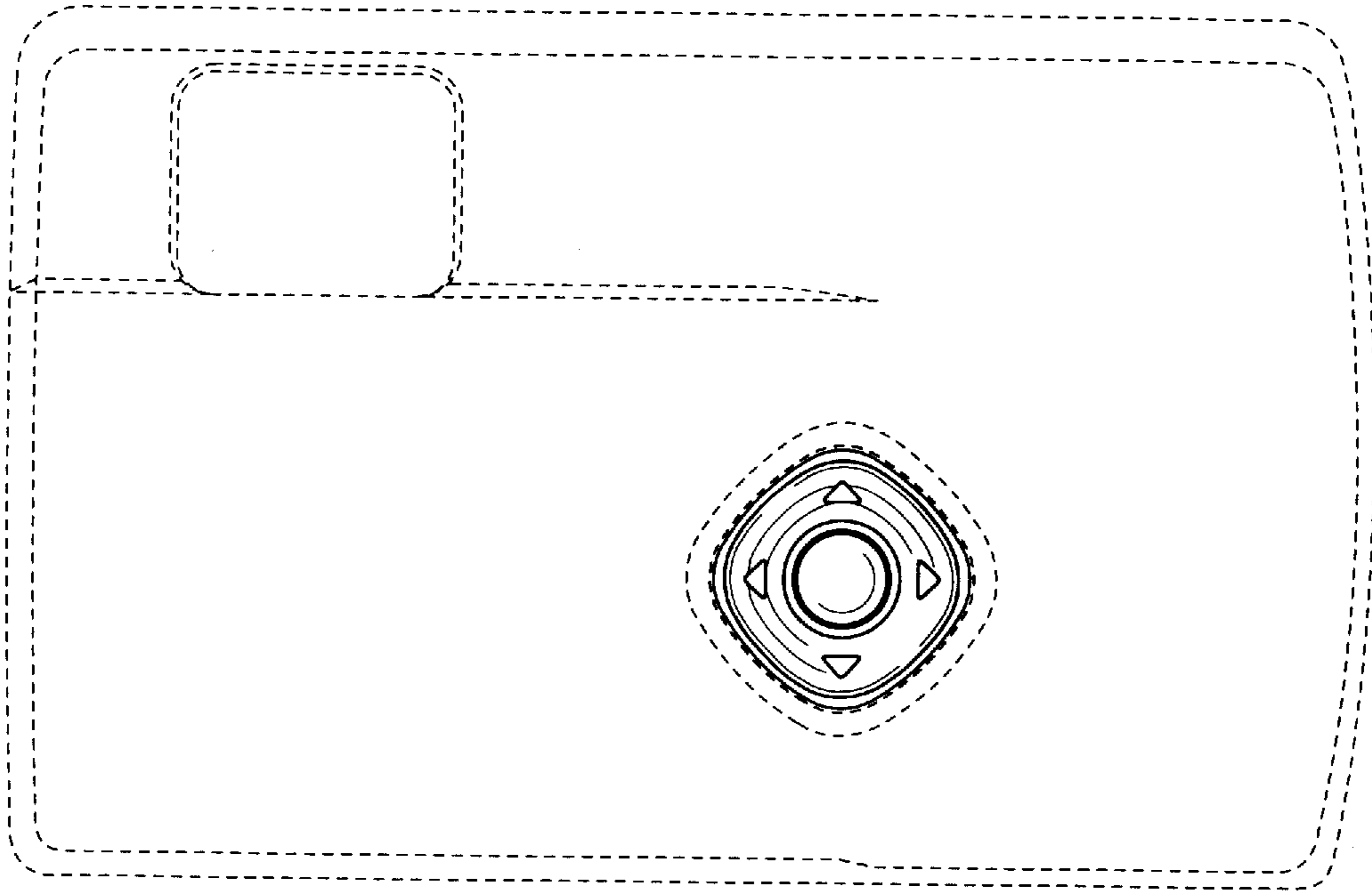


FIG. 7

