



US00D471575S

(12) **United States Design Patent**
Katayama

(10) **Patent No.:** **US D471,575 S**

(45) **Date of Patent:** **** Mar. 11, 2003**

(54) **CAMERA**

D459,745 S * 7/2002 Jin D16/209
D460,776 S * 7/2002 Jin D16/209

(75) Inventor: **Noriko Katayama**, Tokyo (JP)

* cited by examiner

(73) Assignee: **Fuji Photo Film Co., Ltd.**, Kanagawa (JP)

Primary Examiner—Adir Aronovich
(74) *Attorney, Agent, or Firm*—Young & Thompson

(**) Term: **14 Years**

(57) **CLAIM**

(21) Appl. No.: **29/159,960**

The ornamental design for a camera, as shown and described.

(22) Filed: **May 2, 2002**

(30) **Foreign Application Priority Data**

Dec. 7, 2001 (JP) 2001-036174

(51) **LOC (7) Cl.** **16-01**

(52) **U.S. Cl.** **D16/209**

(58) **Field of Search** D16/200–205,
D16/208, 209, 218; 396/535–541

DESCRIPTION

FIG. 1 is a front, top and side perspective view of a camera showing my new design;
FIG. 2 is a front elevational view thereof;
FIG. 3 is a rear elevational view thereof;
FIG. 4 is a top plan view thereof;
FIG. 5 is a bottom plan view thereof;
FIG. 6 is a side elevational view thereof from the right of FIG. 2;
FIG. 7 is a side elevational view thereof from the left of FIG. 2;
FIG. 8 is a view similar to FIG. 1 but with the parts in a different position; and,
FIG. 9 is a front, top and side view perspective view thereof with the lens extended.

(56) **References Cited**

U.S. PATENT DOCUMENTS

- D386,183 S * 11/1997 Katayama D16/209
- D387,790 S * 12/1997 Kondo D16/209
- 5,897,234 A * 4/1999 Tanaka 396/535
- D434,786 S * 12/2000 Chin D16/209
- D454,579 S 3/2002 Yoshida
- D457,905 S * 5/2002 Watanabe D16/209

1 Claim, 5 Drawing Sheets

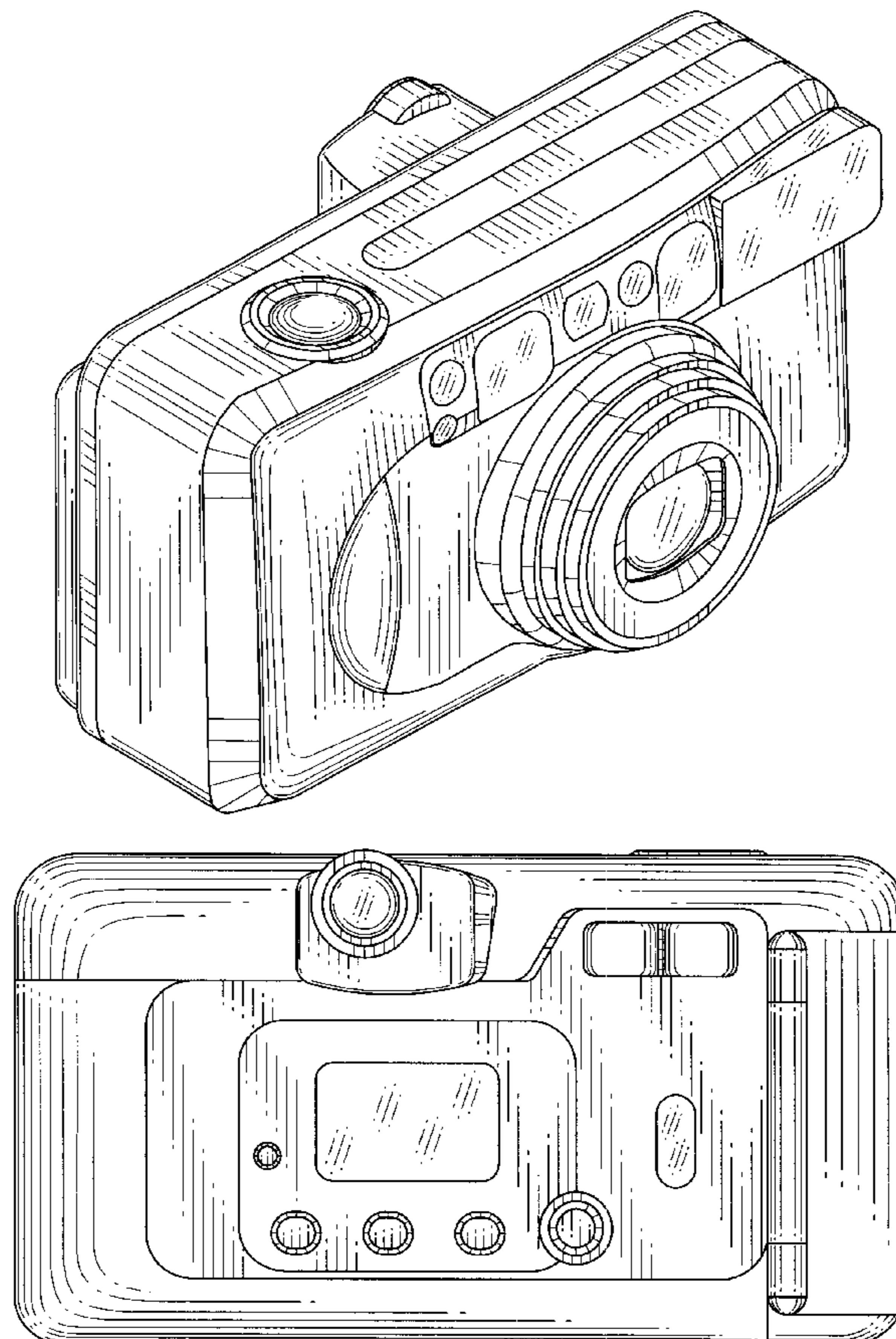


FIG. 1

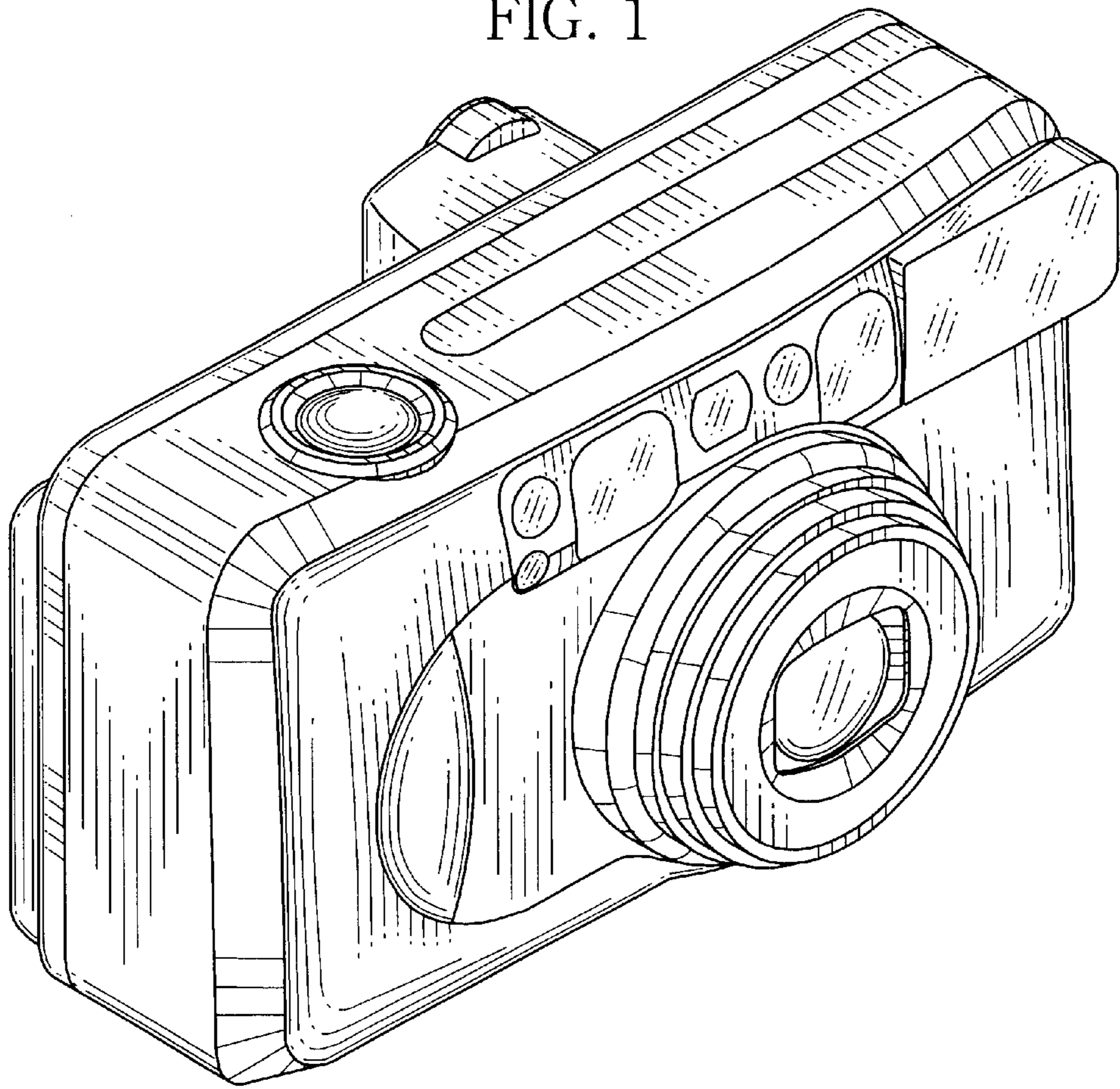


FIG. 2

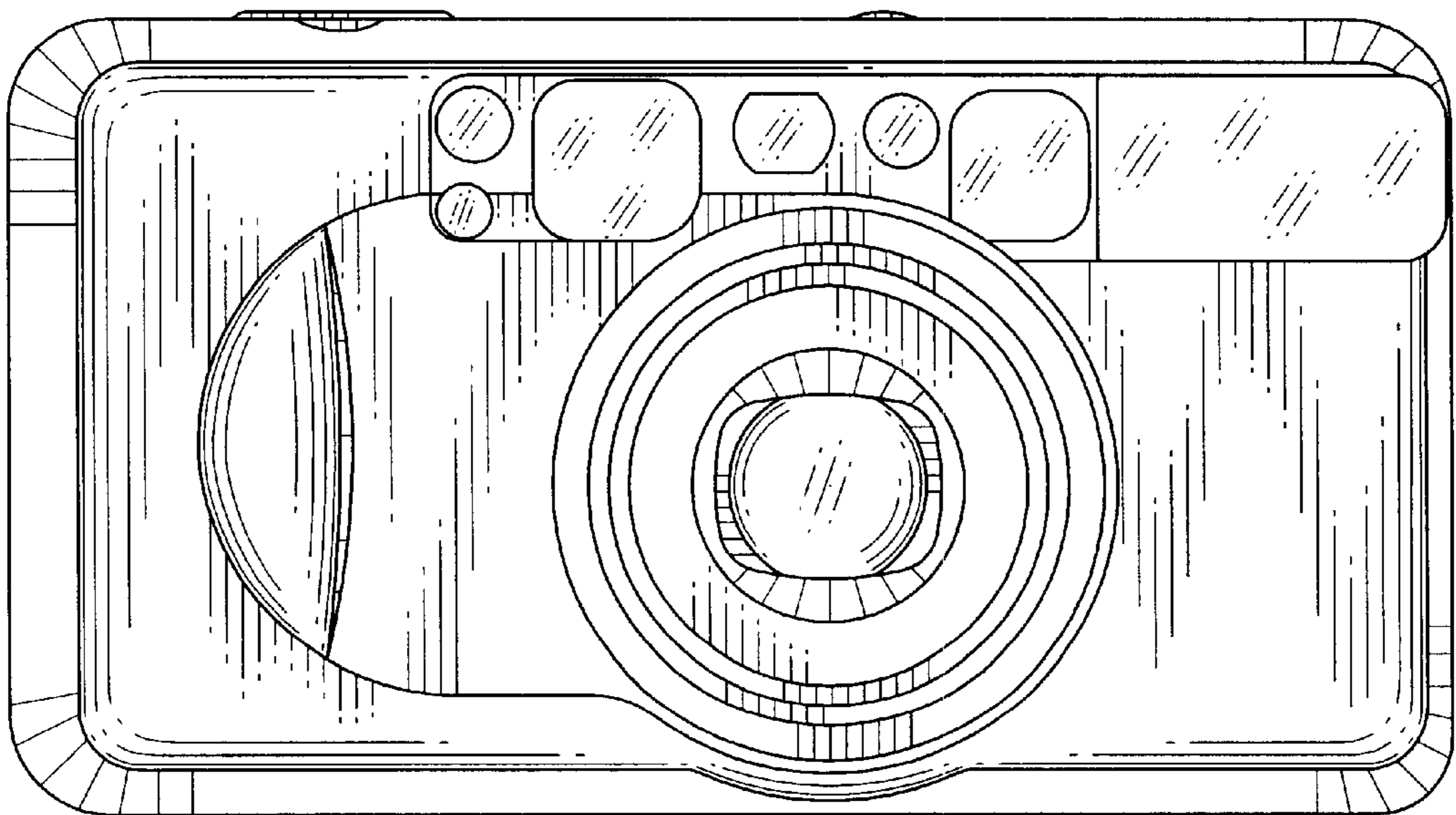


FIG. 3

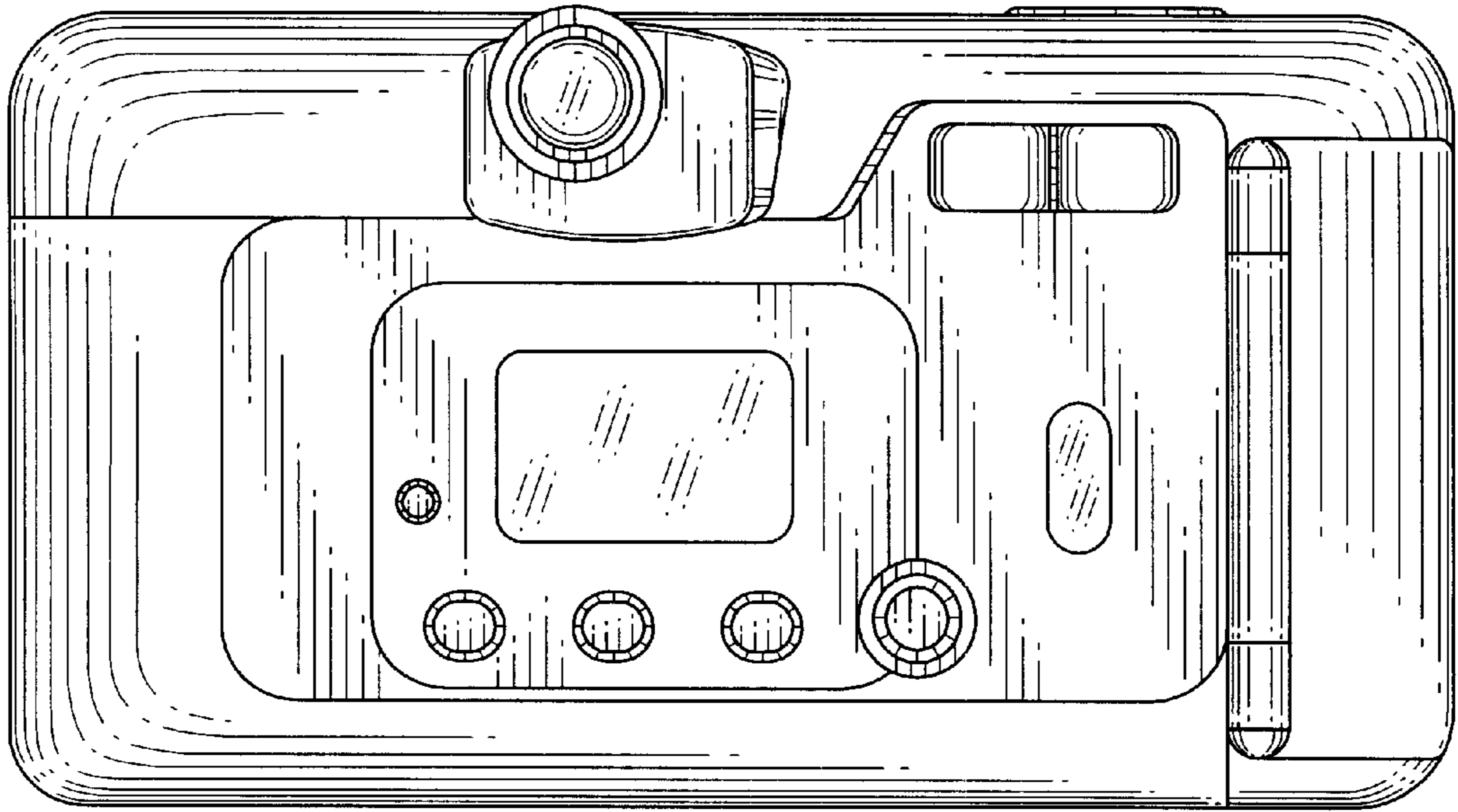


FIG. 4

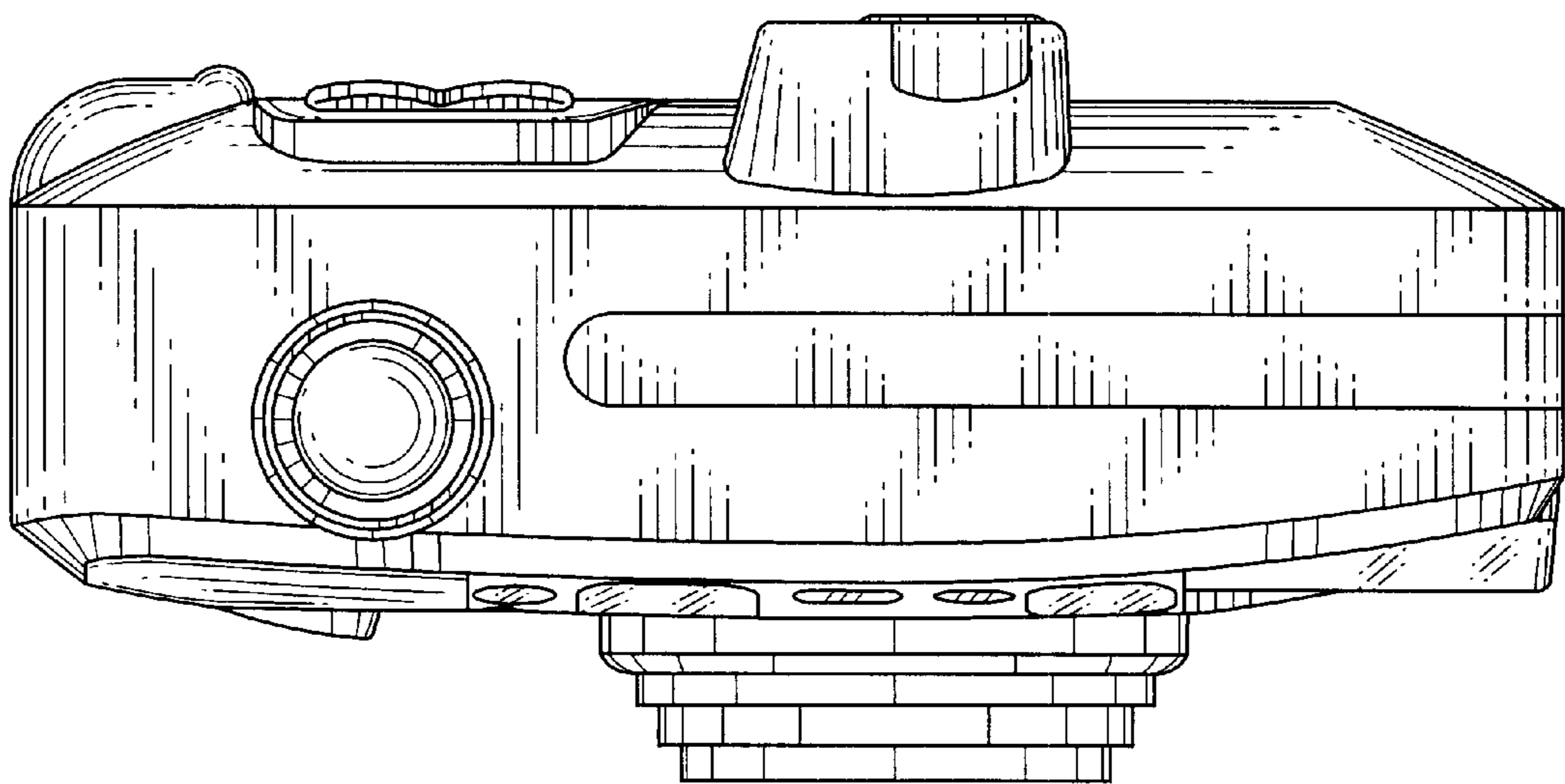


FIG. 5

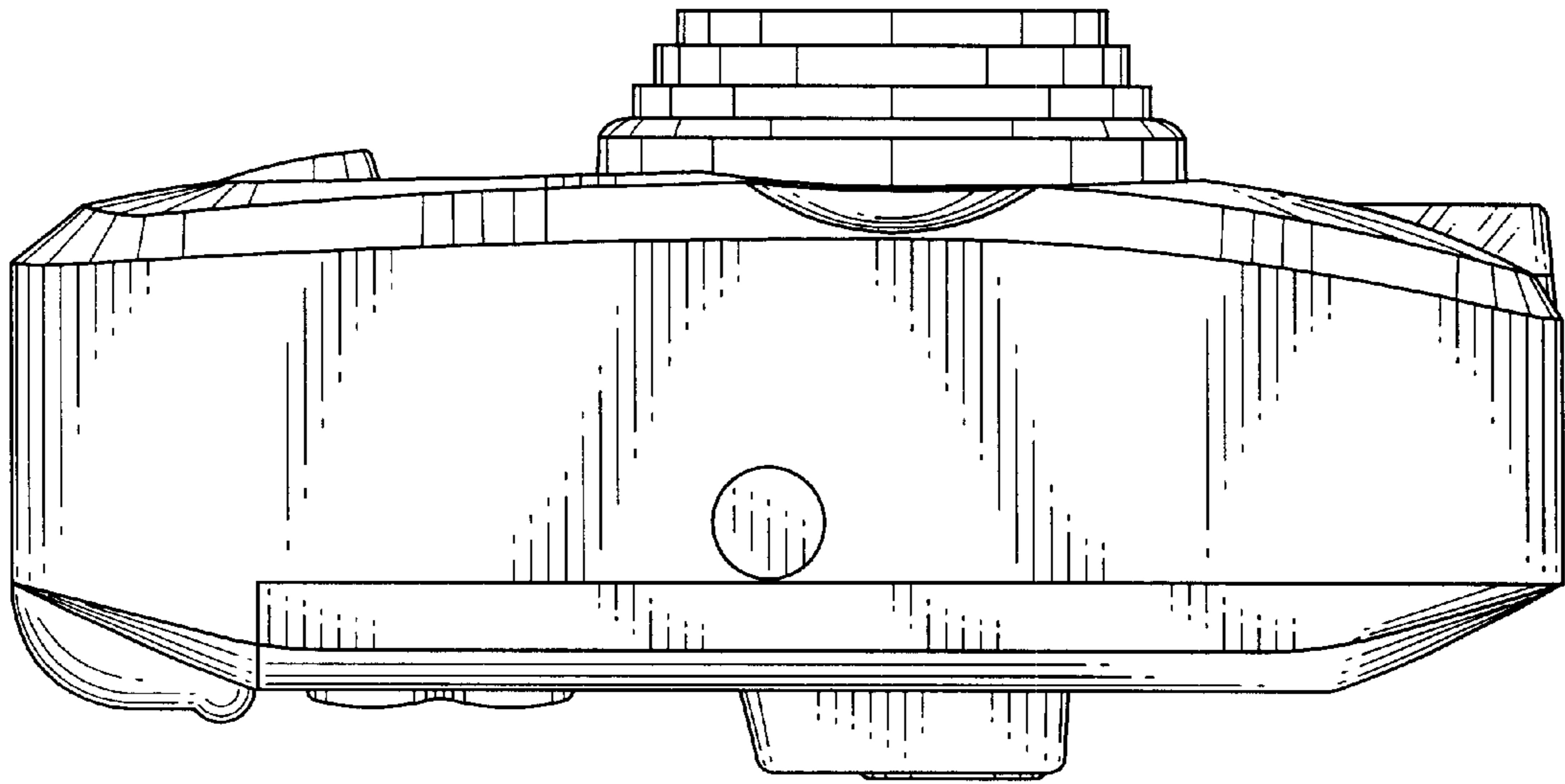


FIG. 6

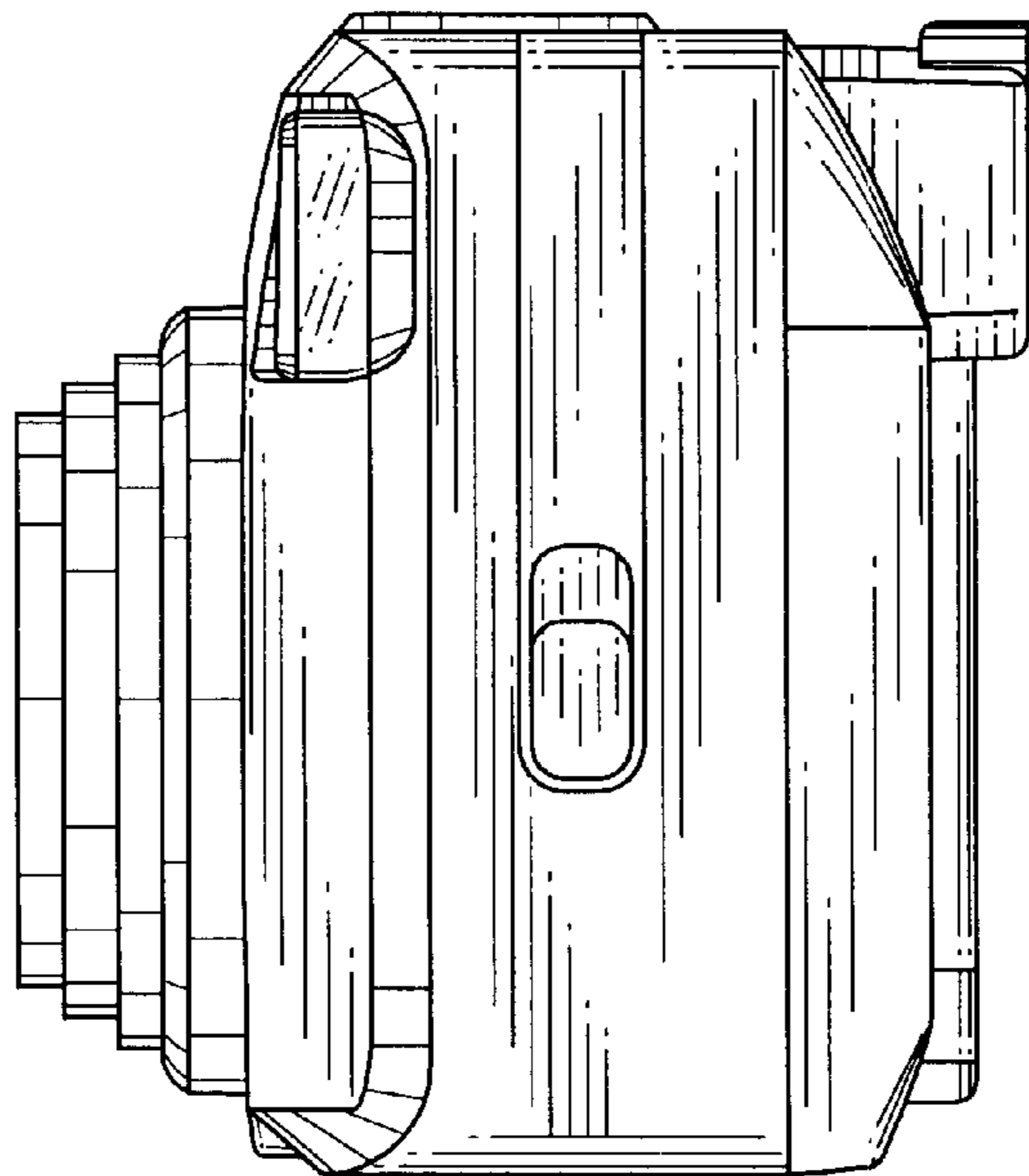


FIG. 7

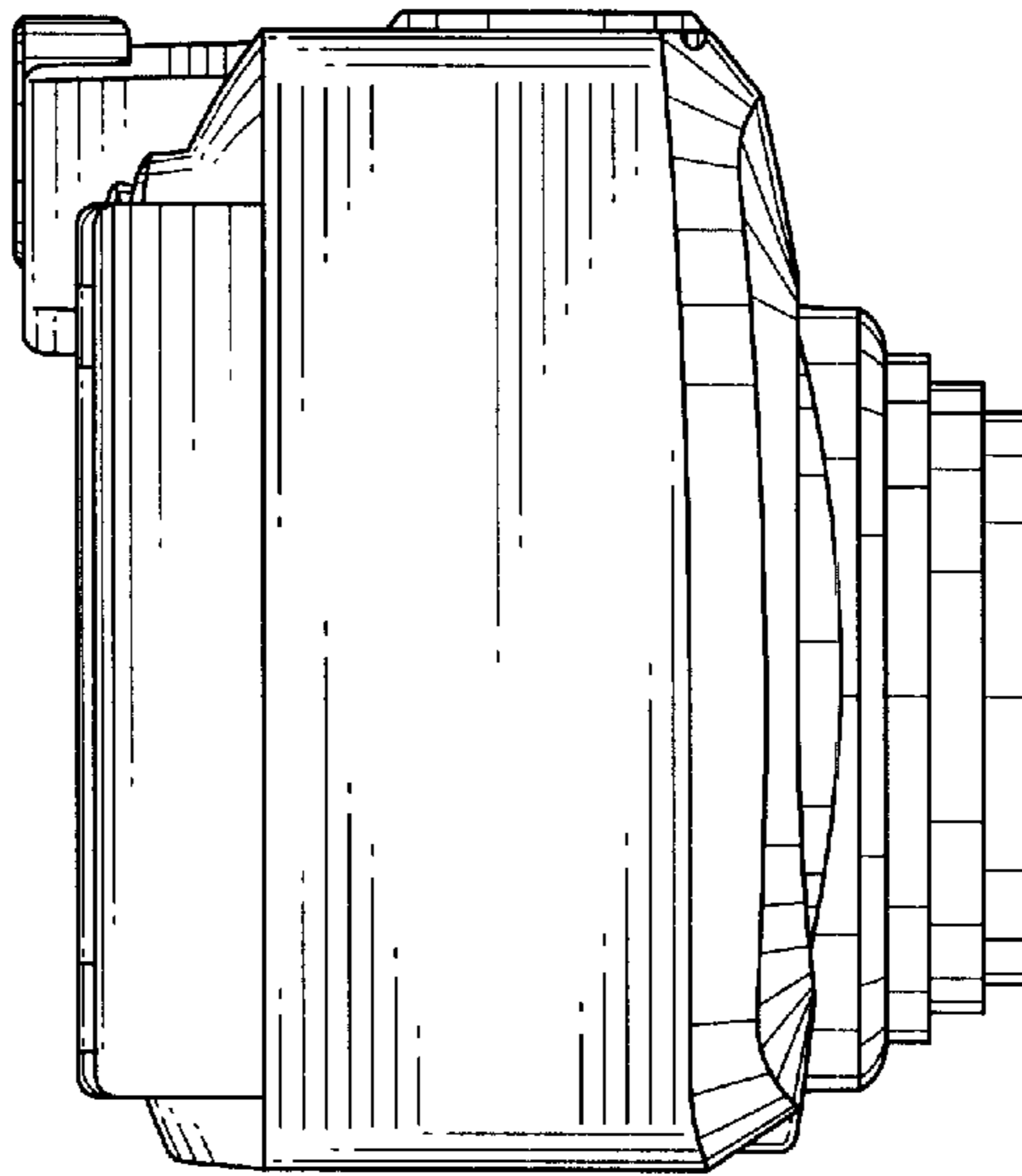


FIG. 8

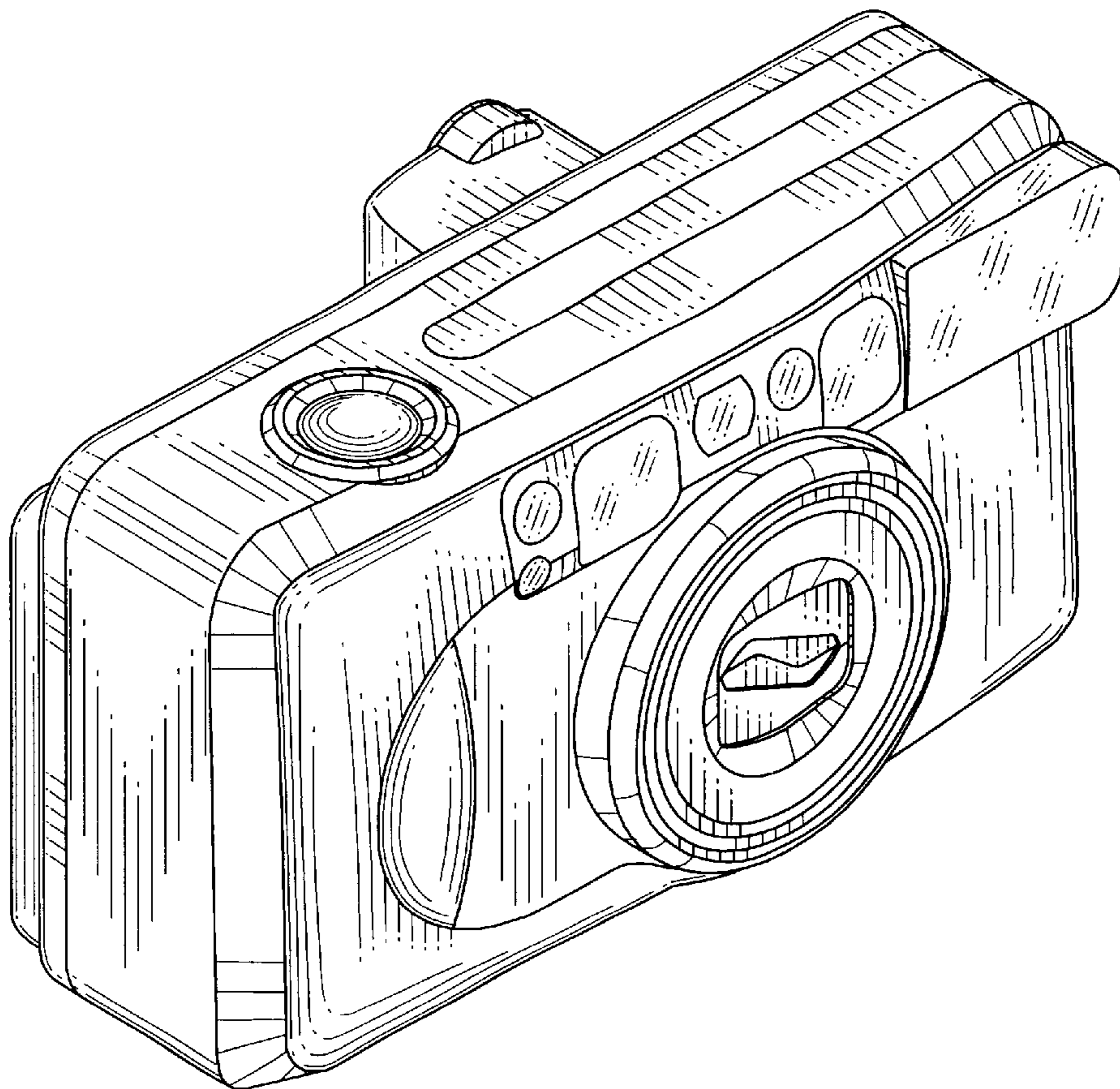


FIG. 9

