



US00D471574S

(12) **United States Design Patent**
Watanabe

(10) **Patent No.:** **US D471,574 S**

(45) **Date of Patent:** **** Mar. 11, 2003**

(54) **CAMERA**

(75) **Inventor:** **Akira Watanabe, Saitama (JP)**

(73) **Assignee:** **Asahi Kogaku Kogyo Kabushiki Kaisha, Tokyo (JP)**

(**) **Term:** **14 Years**

(21) **Appl. No.:** **29/159,155**

(22) **Filed:** **Apr. 17, 2002**

(30) **Foreign Application Priority Data**

Oct. 24, 2001 (JP) 2001-031170

(51) **LOC (7) Cl. 16-01**

(52) **U.S. Cl. D16/209**

(58) **Field of Search D16/200-206, D16/208, 209, 217, 218; 396/84, 535, 536-541**

(56) **References Cited**

U.S. PATENT DOCUMENTS

- 4,990,945 A * 2/1991 Cho et al. 396/84
- D357,265 S * 4/1995 Hamamura D16/209
- D359,976 S * 7/1995 Matsuda D16/209
- D381,350 S * 7/1997 Hamamura D16/209
- D404,750 S * 1/1999 Koinuma D16/209

- D431,829 S * 10/2000 Fujii D16/209
- D446,802 S * 8/2001 Nasu D16/209
- D457,905 S * 5/2002 Watanabe D16/209
- 2001/0026689 A1 * 10/2001 Ito 396/535

FOREIGN PATENT DOCUMENTS

JP 1099144 1/2001

* cited by examiner

Primary Examiner—Adir Aronovich

(74) *Attorney, Agent, or Firm*—Sughrue Mion, PLLC

(57) **CLAIM**

The ornamental design for a camera, as shown and described.

DESCRIPTION

FIG. 1 is a perspective view of the top, front and right side of a camera showing my new design;
 FIG. 2 is a front elevational view thereof;
 FIG. 3 is a top plan view thereof;
 FIG. 4 is a left side elevational view thereof;
 FIG. 5 is a right side elevational view thereof;
 FIG. 6 is a rear elevational view thereof;
 FIG. 7 is a bottom plan view thereof; and,
 FIG. 8 is a view similar to FIG. 1 with the lens extended.

1 Claim, 4 Drawing Sheets

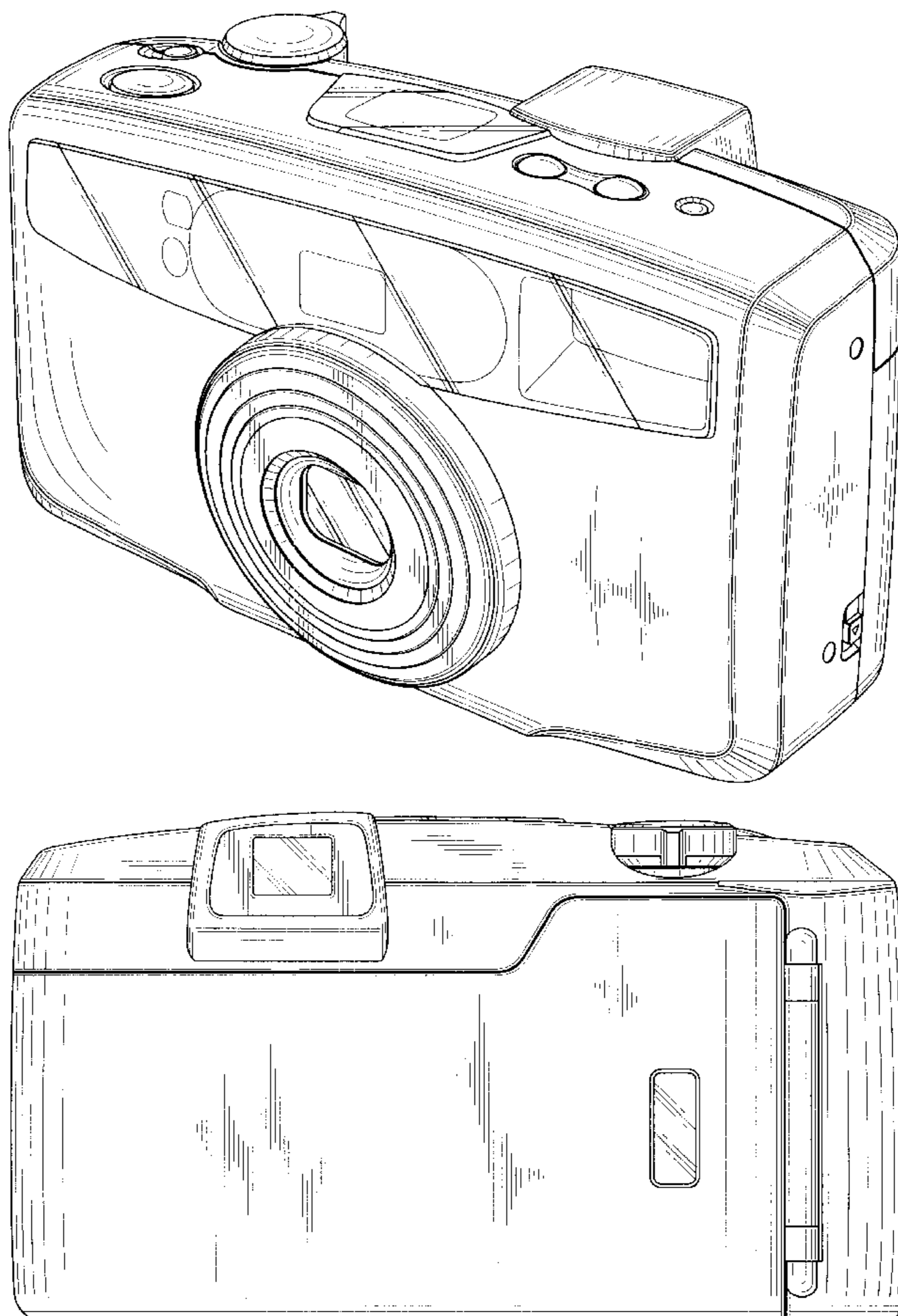


FIG. 1

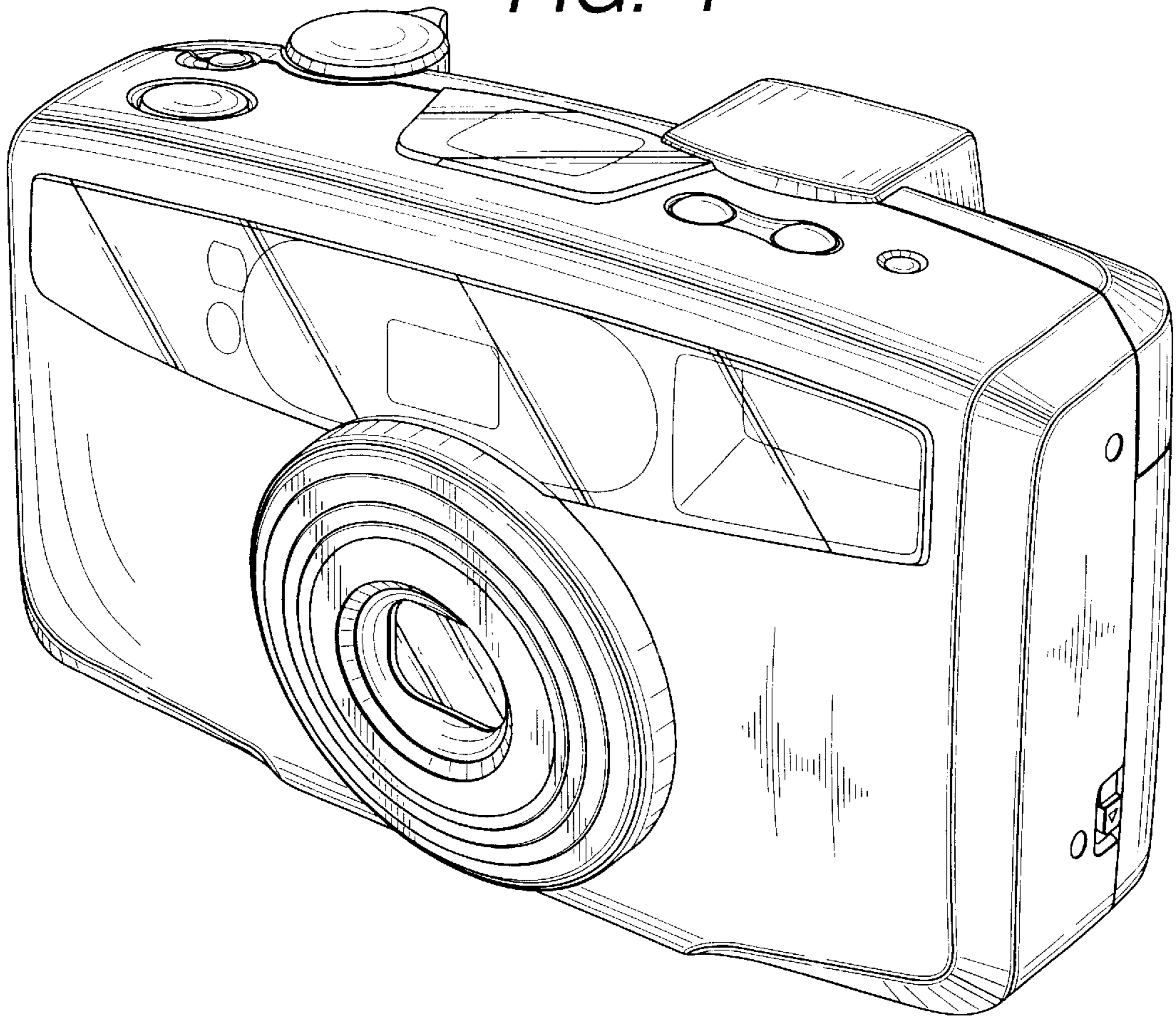


FIG. 2

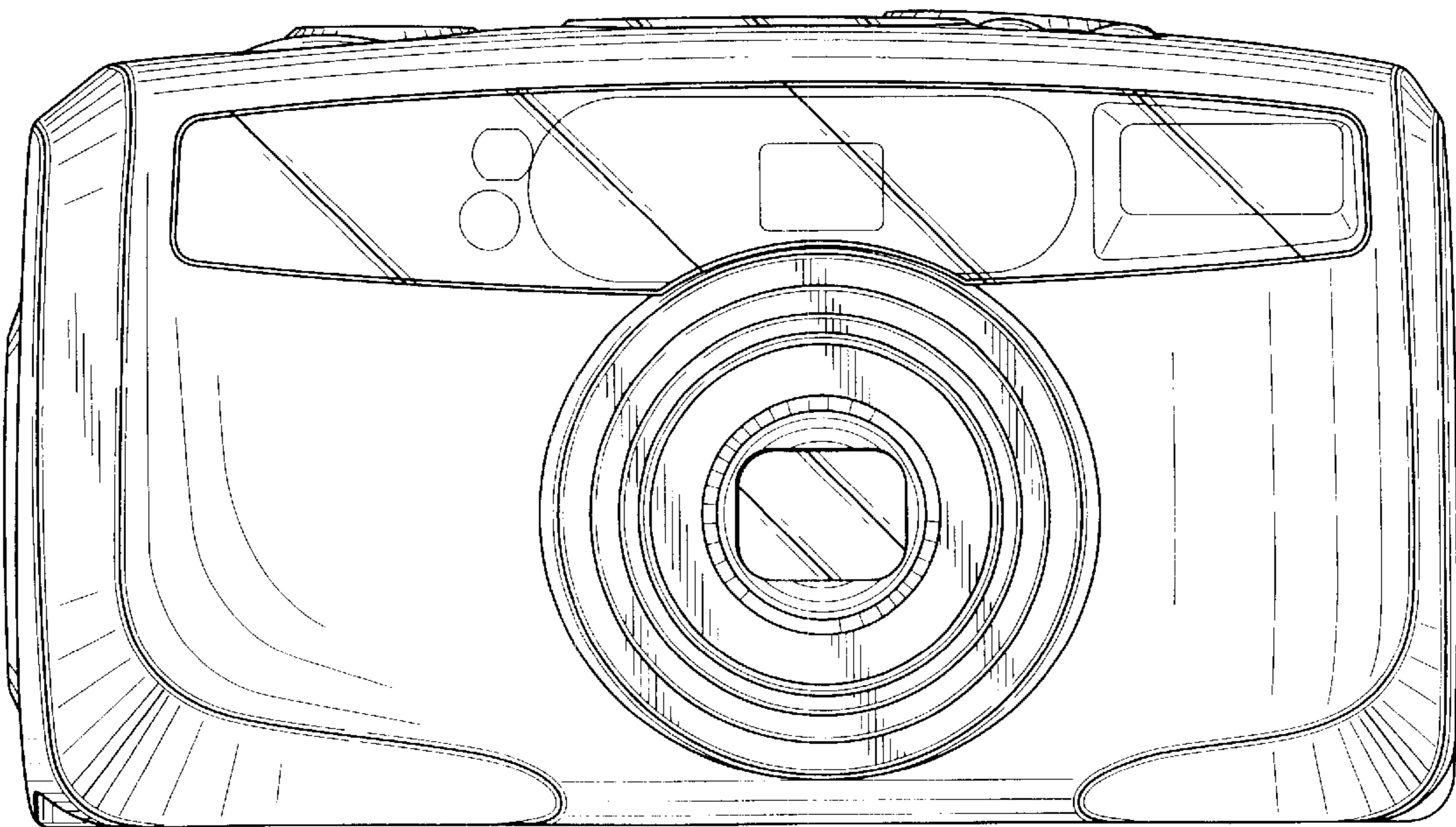


FIG. 3

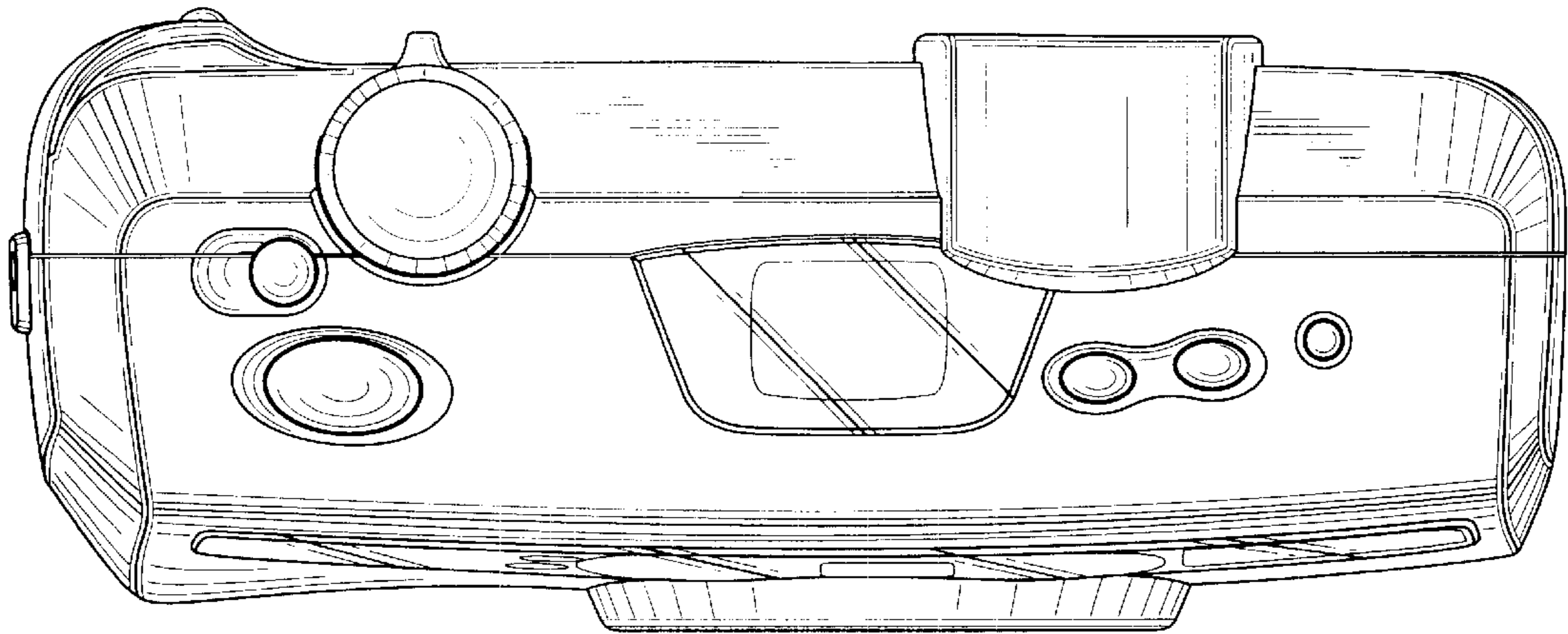


FIG. 4

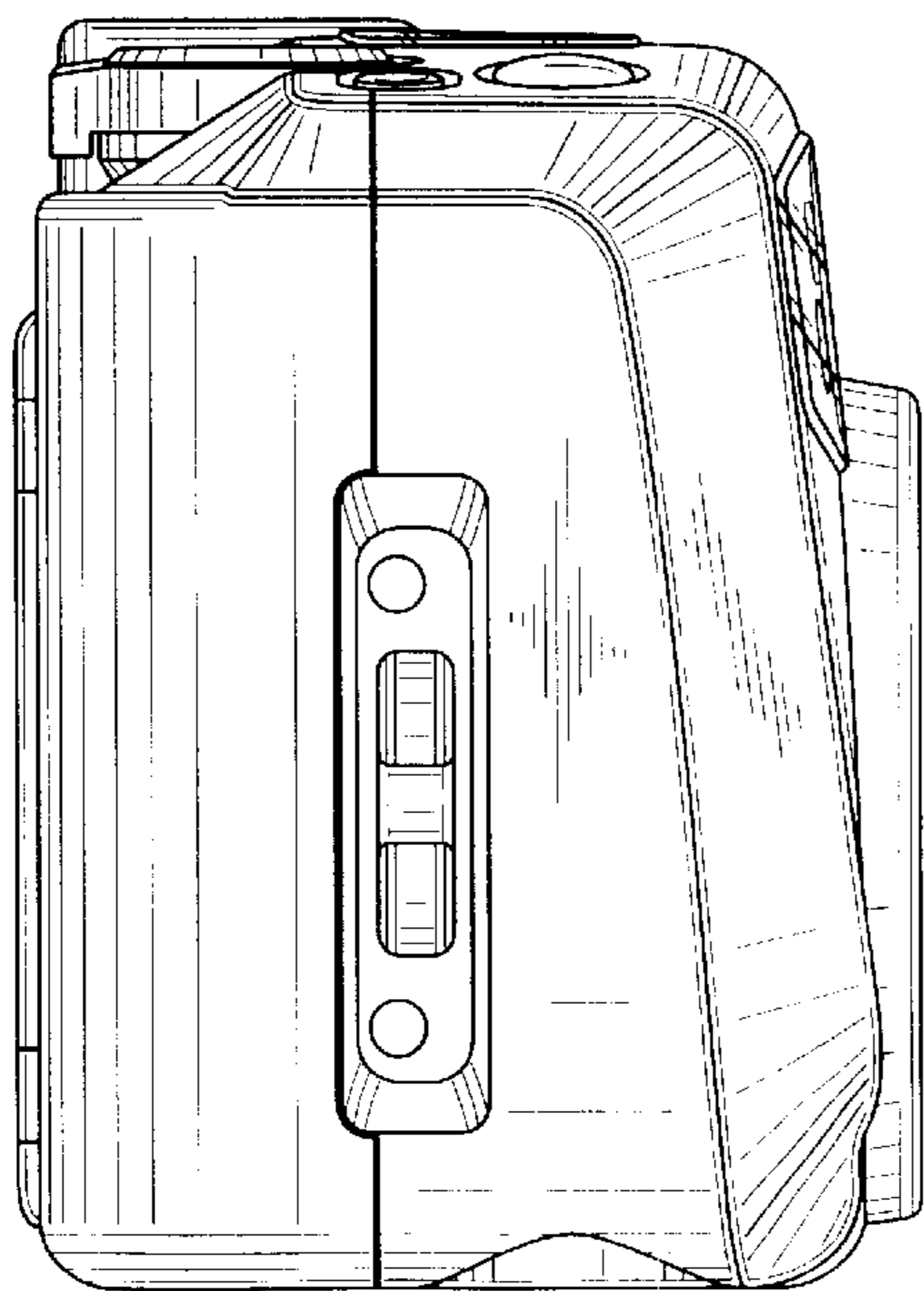


FIG. 5

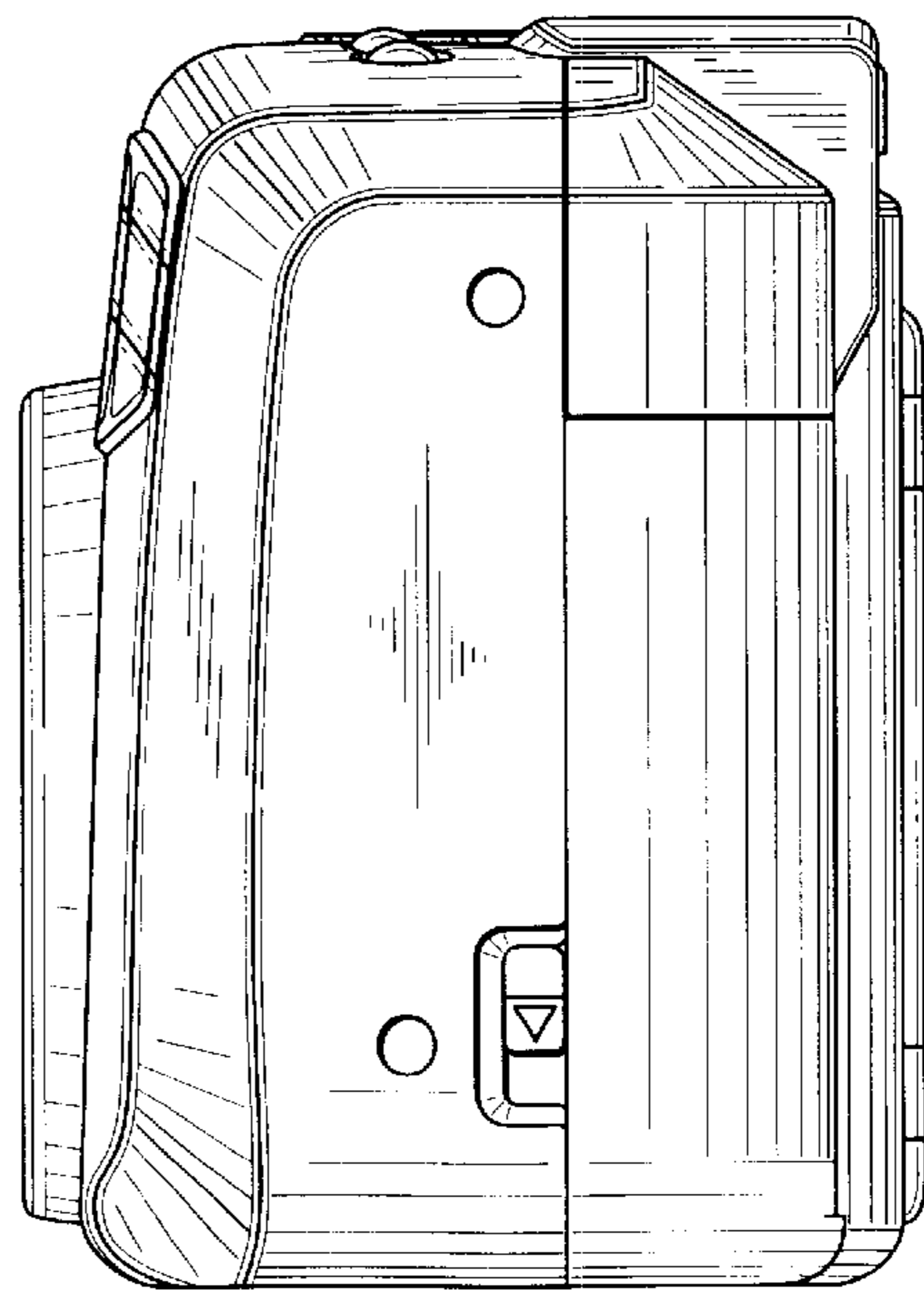


FIG. 6

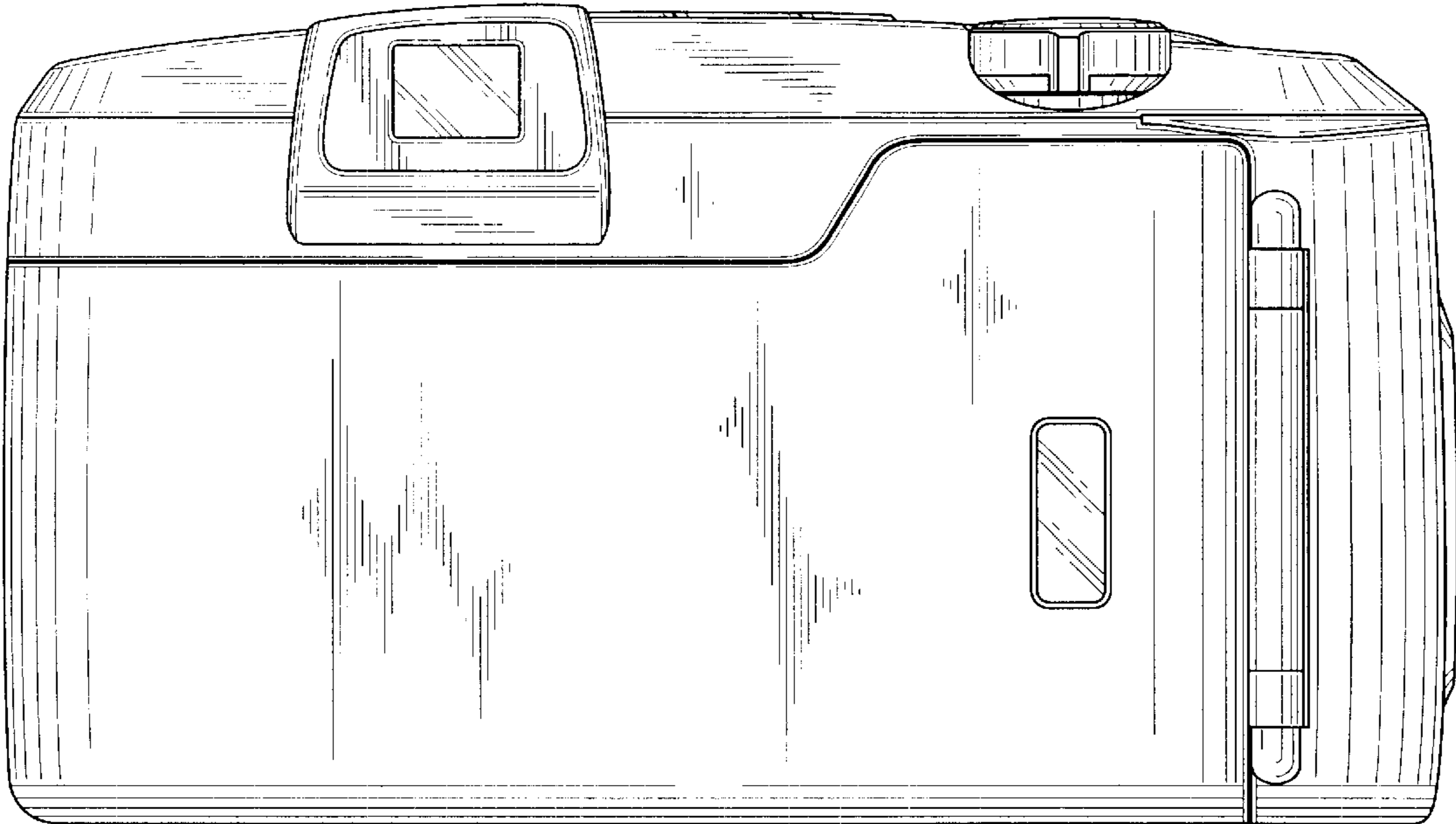


FIG. 7

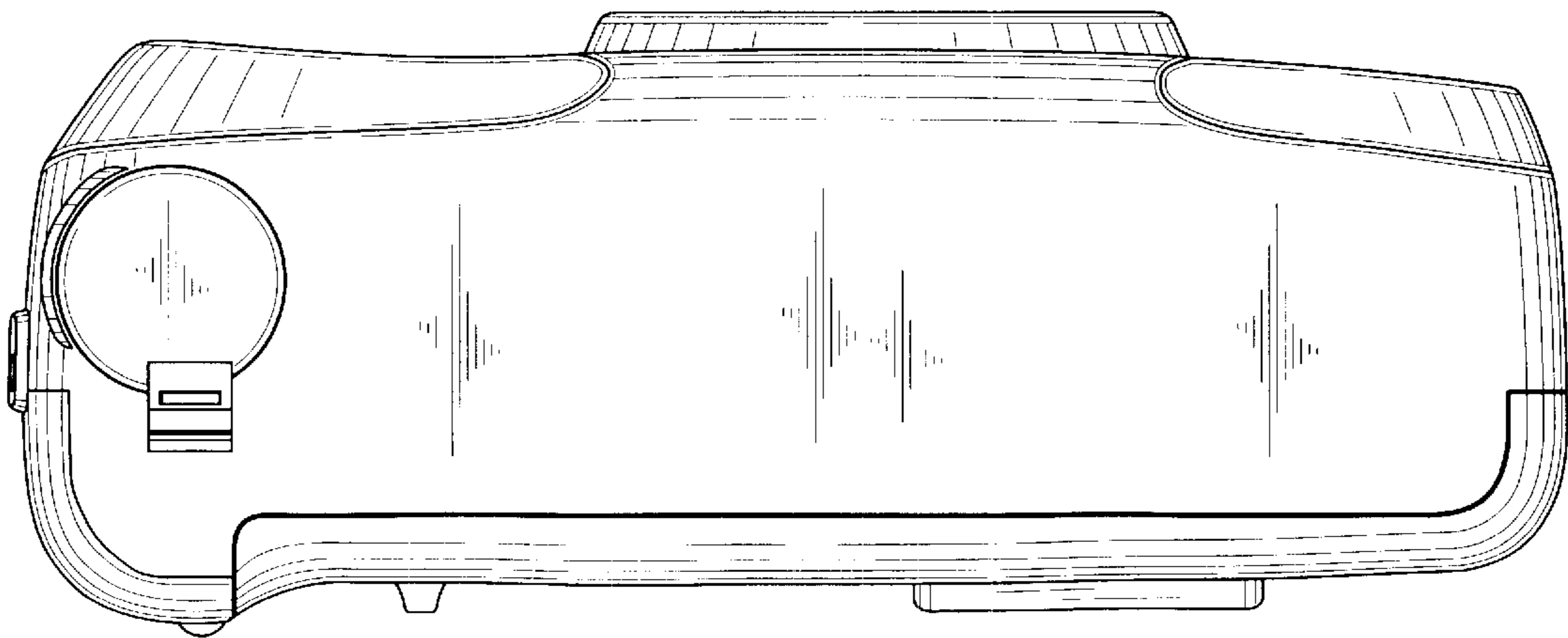


FIG. 8

