



US00D471572S

(12) **United States Design Patent**  
**Cziraky**

(10) **Patent No.:** **US D471,572 S**

(45) **Date of Patent:** **\*\* Mar. 11, 2003**

(54) **CRAYON MAKER**

(75) Inventor: **David A. Cziraky**, Bethlehem, PA (US)

(73) Assignee: **Binney & Smith Inc.**, Easton, PA (US)

(\*\*) Term: **14 Years**

(21) Appl. No.: **29/157,210**

(22) Filed: **Mar. 14, 2002**

(51) **LOC (7) Cl.** ..... **15-09**

(52) **U.S. Cl.** ..... **D15/144**

(58) **Field of Search** ..... D15/144, 144.1,  
D15/144.2; 221/93; 425/562-566, 803

(56) **References Cited**

**U.S. PATENT DOCUMENTS**

1,456,298	A	5/1923	Carnes
2,025,069	A	12/1935	Newton
2,195,960	A	4/1940	Morris
2,470,043	A	5/1949	Monsarrat
2,897,555	A	8/1959	Nishikiori
3,063,109	A	11/1962	Rapaport
3,166,792	A	1/1965	Goldfarb
3,179,980	A	4/1965	Ryan et al.
3,214,567	A	10/1965	Chisholm
3,313,918	A	4/1967	Barber
3,317,708	A	5/1967	Bowling
3,368,063	A	2/1968	Kuhn
3,410,988	A	11/1968	Nagel
3,412,235	A	11/1968	Hild et al.
3,412,236	A	11/1968	Hild et al.
3,448,244	A	6/1969	Filipak
3,462,584	A	8/1969	Guy
3,468,366	A	9/1969	Suddarth
3,521,032	A	7/1970	Heuss
3,548,146	A	12/1970	Hoyland
3,549,862	A	12/1970	Holtkamp et al.

(List continued on next page.)

**OTHER PUBLICATIONS**

Easy-Bake Oven & Snack Center, photocopies of box and instructions, photograph of product, © 1997, Hasbro Canada Inc.

Metal Molder Die Cast Factory, photocopies of box, photograph of product, © 1998 Toymax Inc., Plainview, N.Y.

Metal Moulder Metal Pellet Refill, photocopies of box, photograph of product, © 1997 Toymax Inc., Westbury, N.Y.

Metal Moulder Space Ships Metal Moulding Kit, photocopies of box, photograph of product, © 1997 Toymax Inc., Westbury, N.Y.

Creepy Crawlers Bug Maker, photocopies of box and photograph of product, © 2000 Toymax Inc., Plainview, N.Y.

Nickelodeon Nick-tivities, Melt-O-Matic, photocopies of box and instructions, photograph of product, © 2000 Fly Colors Toys Inc., Malibu, CA.

Super Injector, photocopies of box and photograph of product, © 1998 Toymax Inc., Plainview, N.Y.

Super Injector, Aliens Mold 'N' Play Set, photocopies of box and photograph of product, © 1998 Toymax Inc., Plainview, N.Y.

*Primary Examiner*—Antoine Duval Davis

(74) *Attorney, Agent, or Firm*—Leydig, Voit & Mayer, Ltd.

(57) **CLAIM**

The ornamental design for a crayon maker, as shown and described.

**DESCRIPTION**

This application is a continuation of U.S. patent application Ser. No. 10/017,830, filed on Dec. 7, 2001, which is currently pending and incorporates the disclosure thereof, by reference.

FIG. 1 is a front and left side perspective view of a crayon maker;

FIG. 2 is a left side elevational view thereof;

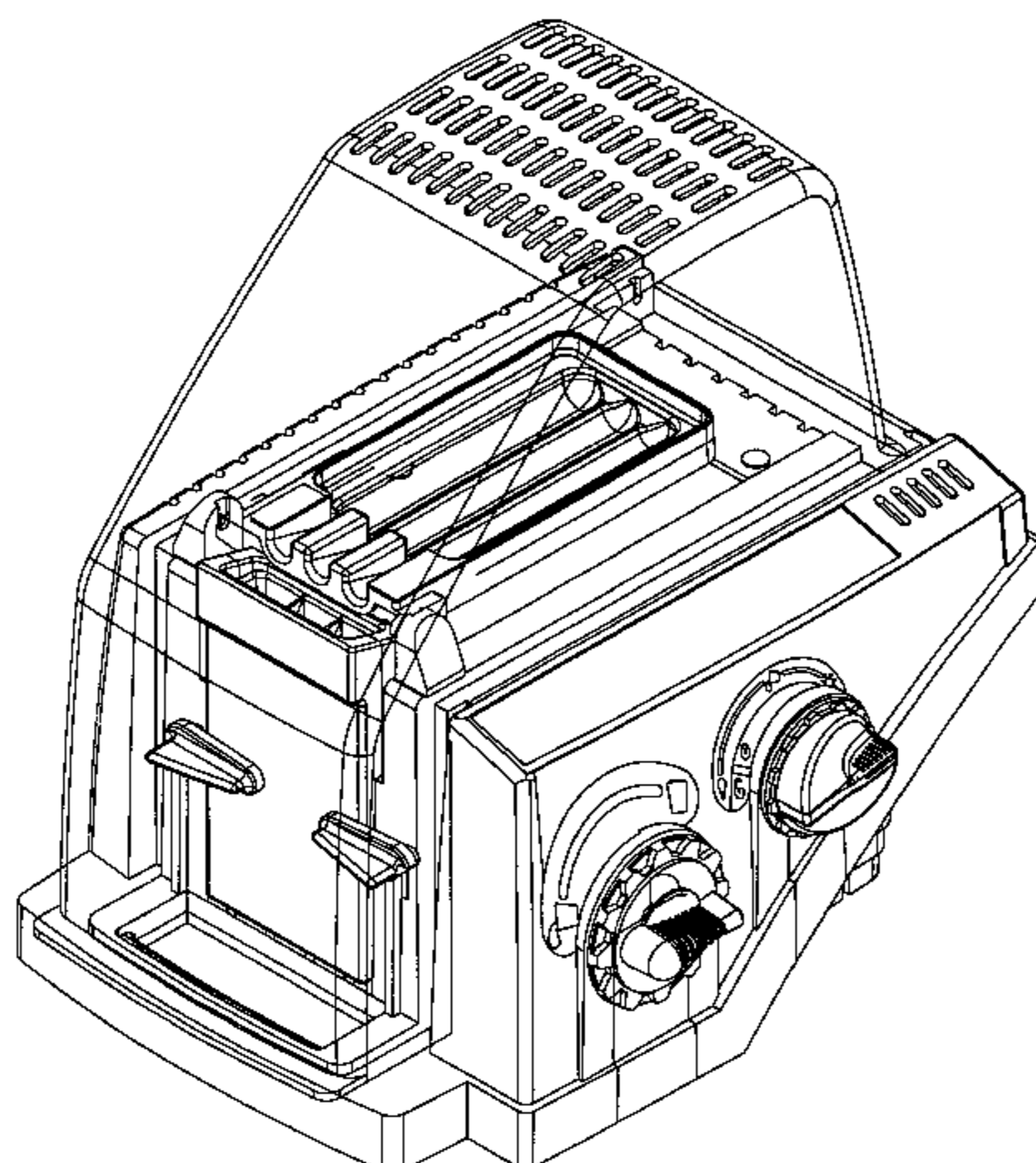
FIG. 3 is a front elevational view thereof;

FIG. 4 is a right side elevational view thereof;

FIG. 5 is a rear elevational view thereof; and,

FIG. 6 is a top plan view thereof.

**1 Claim, 6 Drawing Sheets**



# US D471,572 S

Page 2

---

U.S. PATENT DOCUMENTS					
			4,616,123 A	10/1986	Zagoroff
3,619,564 A	11/1971	Schauer, Jr.	4,772,243 A	9/1988	Zeiss
3,625,197 A	12/1971	Pirker	4,885,108 A	12/1989	Richter
3,639,727 A	2/1972	Leach	4,927,996 A	5/1990	Genbauffe et al.
3,648,011 A	3/1972	Holtkamp	4,955,117 A	9/1990	Crenshaw
3,659,068 A	4/1972	Duffner et al.	5,066,216 A *	11/1991	Kowtko et al. .... 425/562
3,702,920 A	11/1972	Taylor	5,315,091 A	5/1994	O'Brien et al.
3,757,084 A	9/1973	McLean et al.	5,346,656 A	9/1994	Shafir
3,823,294 A	7/1974	Takayama et al.	5,422,458 A	6/1995	Simmel
3,875,372 A	4/1975	Gilliom	5,441,396 A	8/1995	Nicetto
3,957,408 A	5/1976	Clymer et al.	5,451,745 A	9/1995	Goldberg et al.
4,082,491 A	4/1978	Clymer et al.	5,453,000 A	9/1995	Lebensfeld
4,089,319 A	5/1978	Tamada et al.	5,528,014 A	6/1996	Goldberg et al.
4,186,295 A	1/1980	Iwao	D371,585 S	7/1996	Lebensfeld
4,215,843 A	8/1980	Gay et al.	5,560,940 A	10/1996	Breuil
4,249,067 A	2/1981	Cummings	5,597,593 A	1/1997	Lebensfeld et al.
4,296,064 A	10/1981	Satcher	5,634,514 A	6/1997	Gagliano
4,298,788 A	11/1981	Jones et al.	D403,378 S	12/1998	Lebensfeld et al.
4,299,548 A	11/1981	Saffer et al.	5,858,262 A	1/1999	Lebensfeld
4,304,974 A	12/1981	Ikeda et al.	5,866,085 A	2/1999	Yelvington
4,316,079 A	2/1982	Schmitz	5,954,115 A	9/1999	Lebensfeld et al.
4,340,806 A	7/1982	Bergquist	6,033,606 A	3/2000	Garza
4,345,144 A	8/1982	Bergquist	6,098,953 A	8/2000	Machado
4,374,320 A	2/1983	Barnett	6,140,619 A	10/2000	Couch
4,484,064 A	11/1984	Murray			
4,563,573 A	1/1986	Hartelius et al.			

\* cited by examiner

FIG. 1

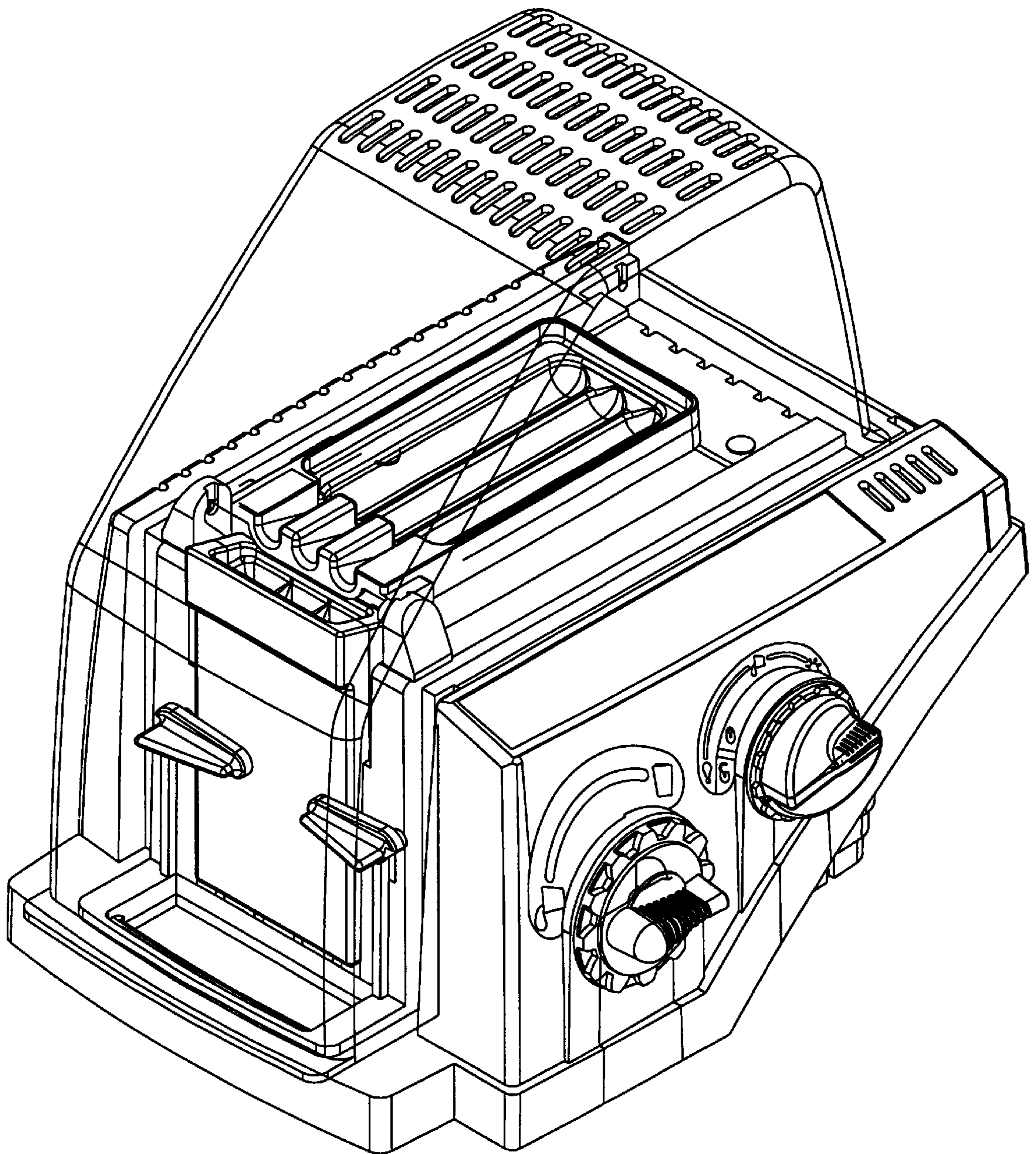


FIG. 2

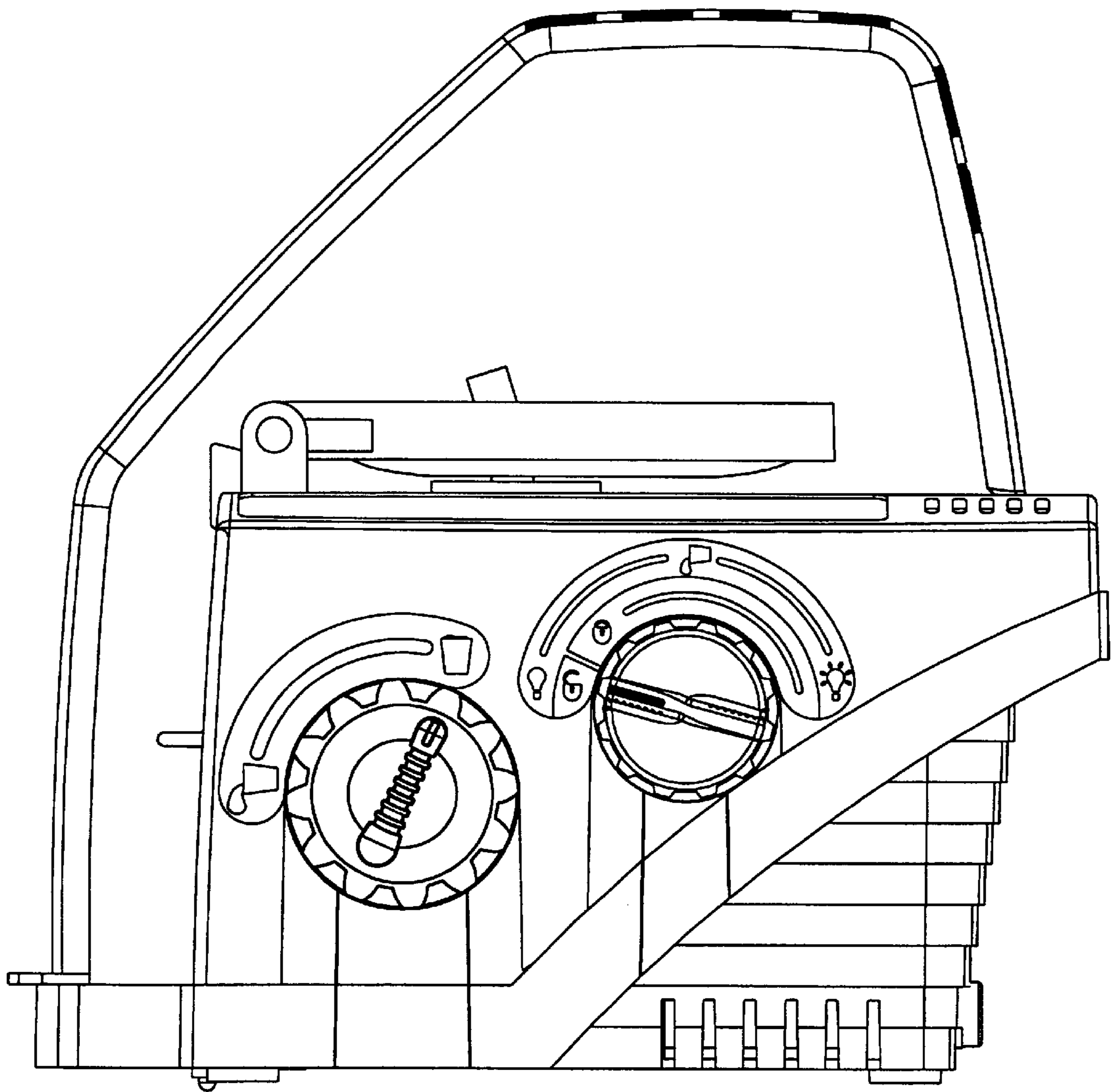


FIG. 3

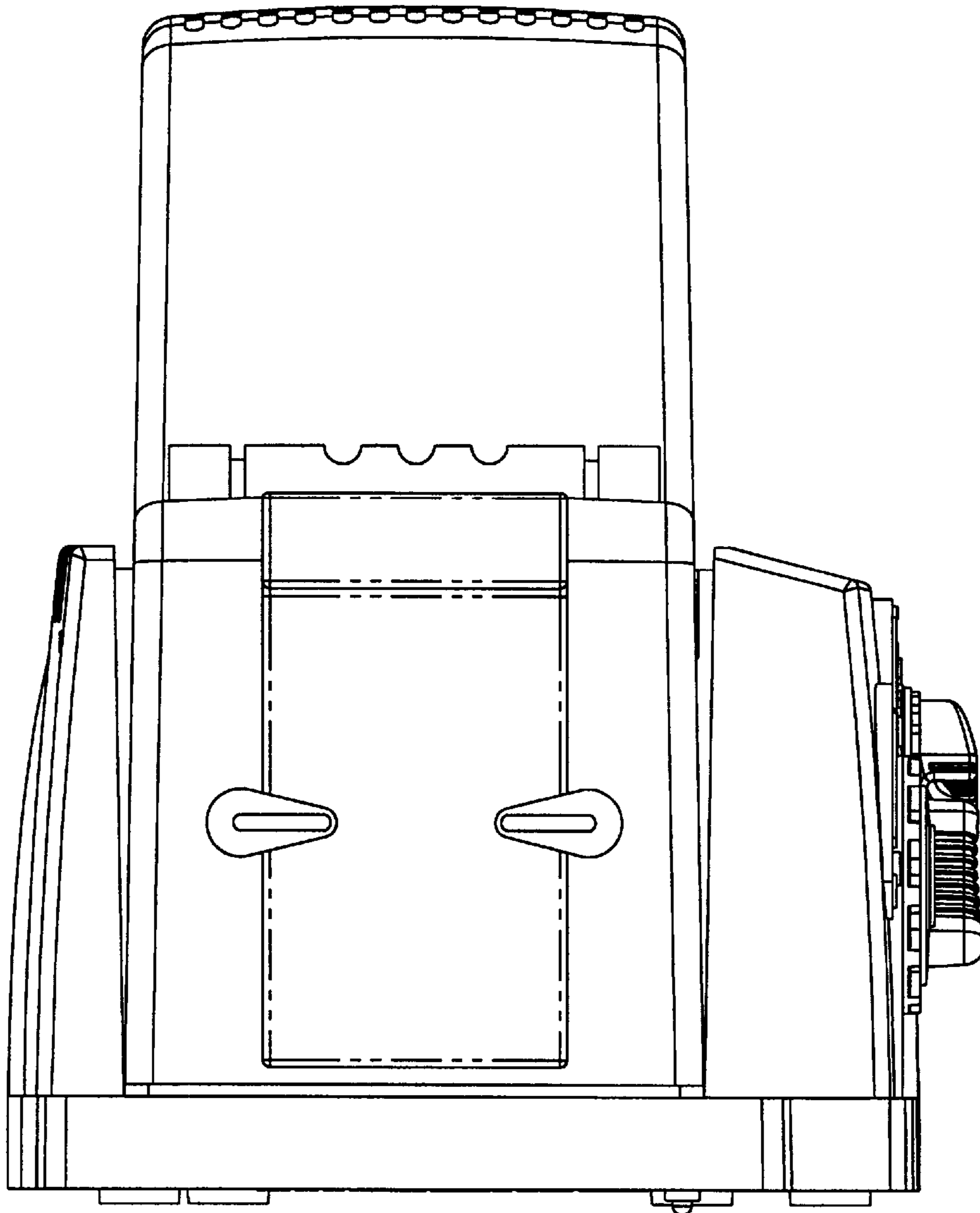


FIG. 4

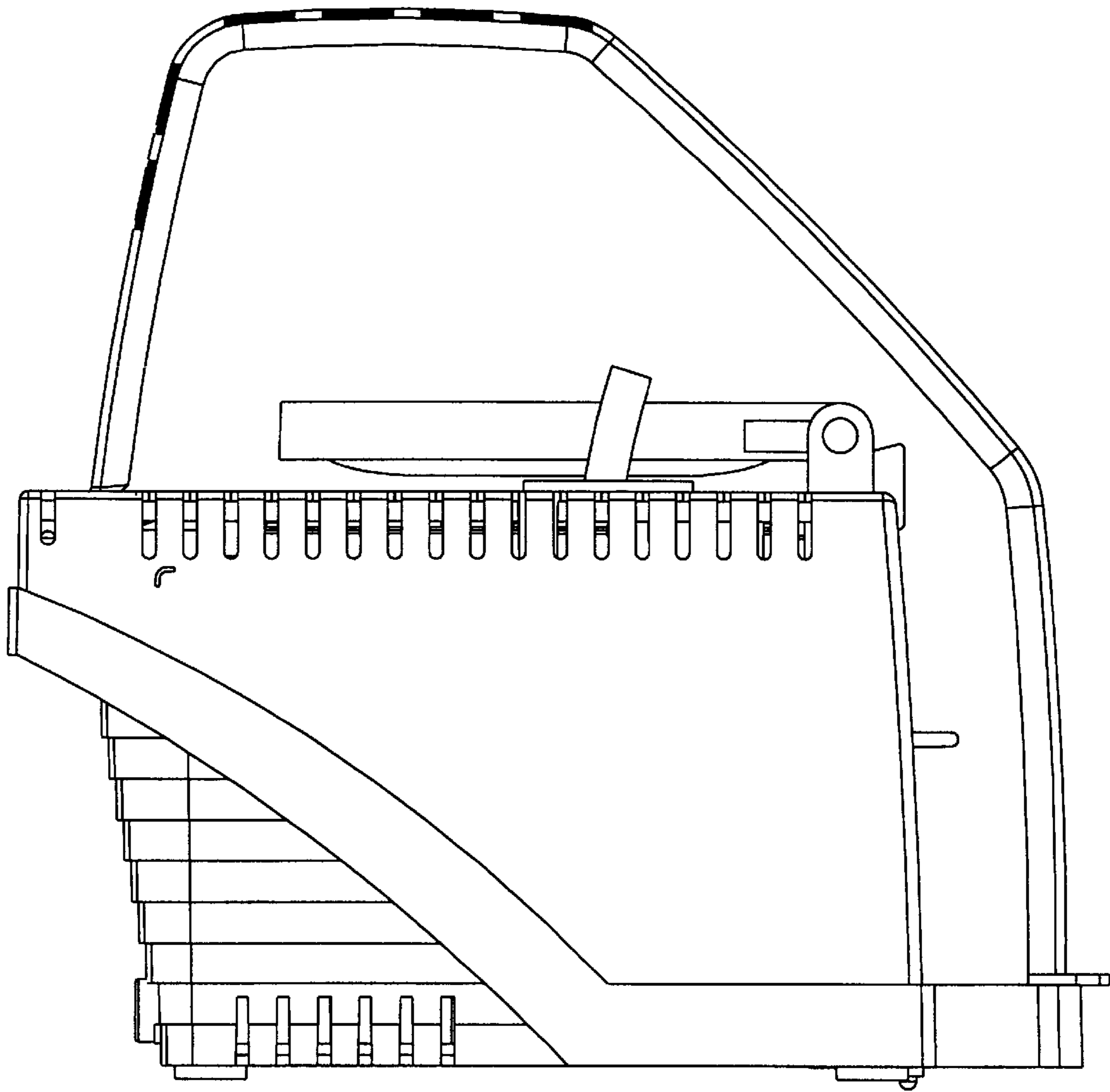


FIG. 5

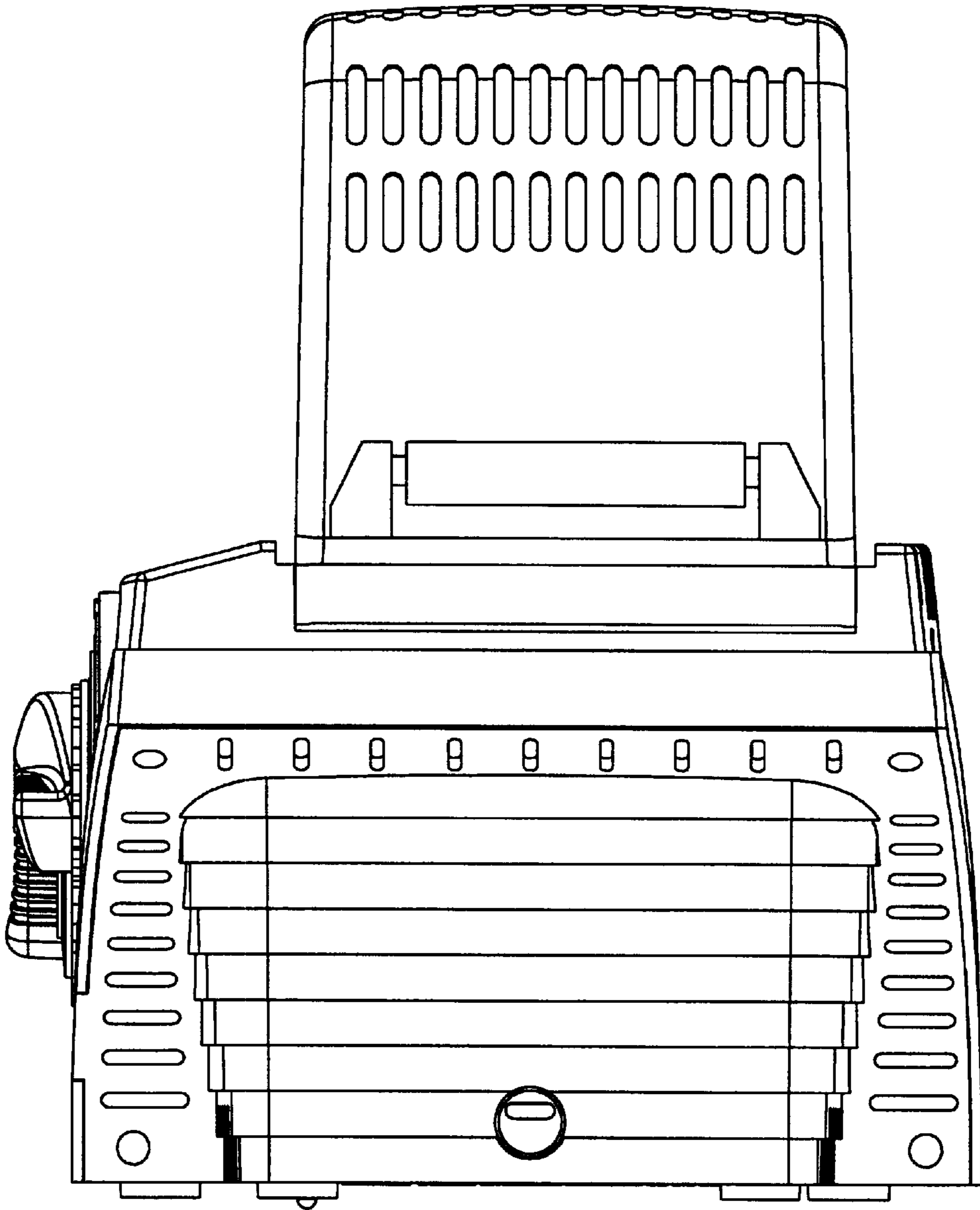


FIG. 6

