



US00D471570S

(12) **United States Design Patent**
Wang

(10) **Patent No.:** **US D471,570 S**

(45) **Date of Patent:** **** Mar. 11, 2003**

(54) **WOOD-TURNING LATHE**

(76) Inventor: **Chin-Feng Wang**, 11F-2, No.43, Chai-I Street, Taichung City (TW)

(**) Term: **14 Years**

(21) Appl. No.: **29/163,841**

(22) Filed: **Jul. 15, 2002**

(51) **LOC (7) Cl.** **15-09**

(52) **U.S. Cl.** **D15/130**

(58) **Field of Search** D15/130; 82/112-121, 82/128, 132, 142, 148, 143, 162, 903; 144/16, 114; 142/7

(56) **References Cited**

U.S. PATENT DOCUMENTS

D430,581 S * 9/2000 Campbell et al. D15/130

* cited by examiner

Primary Examiner—Antoine Duval Davis
(74) *Attorney, Agent, or Firm*—Charles E. Baxley

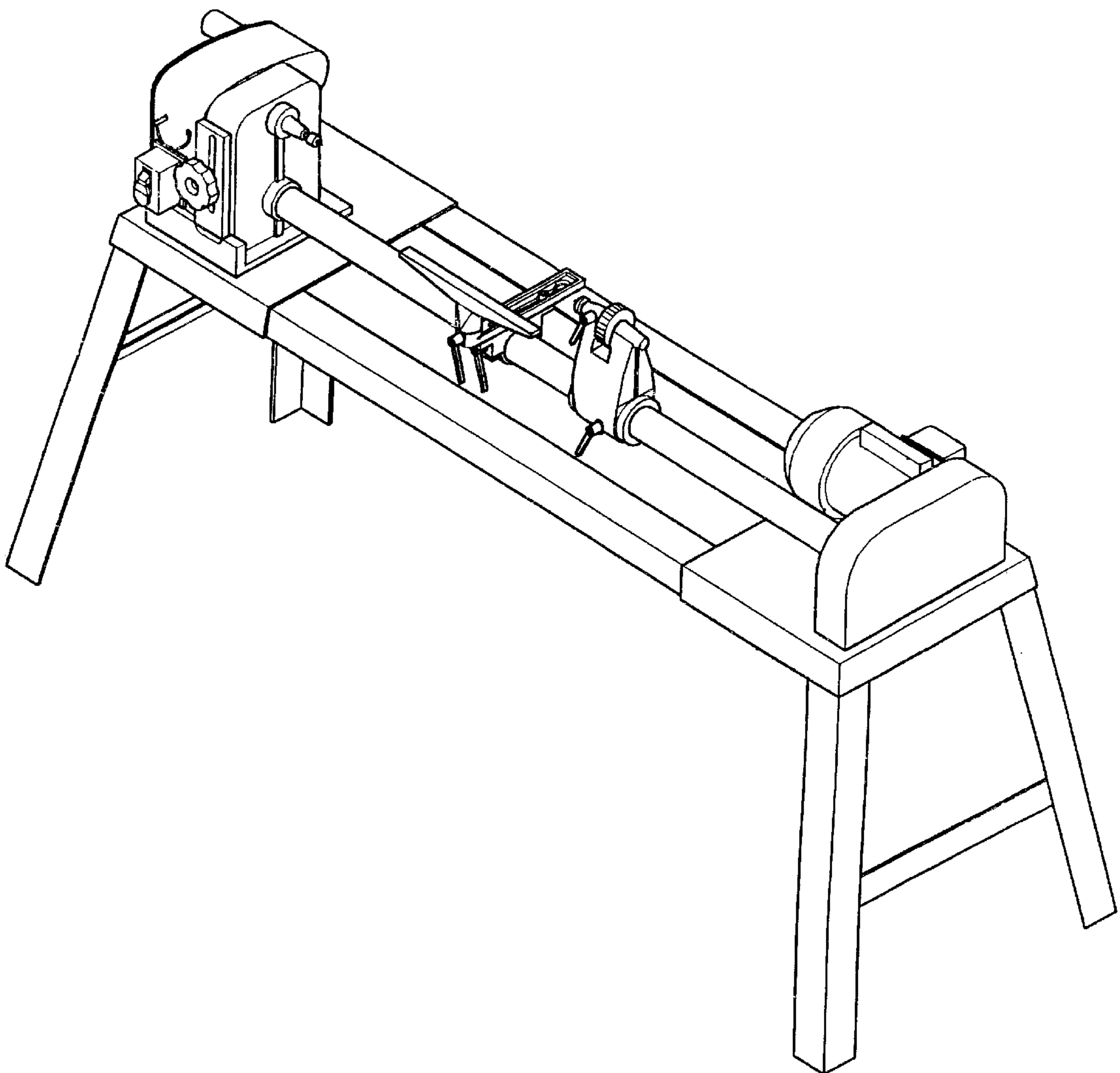
(57) **CLAIM**

The ornamental design for a wood-turning lathe, as shown and described.

DESCRIPTION

FIG. 1 is a front-right-top perspective view of a wood-turning lathe, showing my new design;
FIG. 2 is a front elevational view thereof;
FIG. 3 is a rear elevational view thereof;
FIG. 4 is a left elevational view thereof;
FIG. 5 is a right elevational view thereof;
FIG. 6 is a top plan view thereof; and,
FIG. 7 is a bottom plan view thereof.

1 Claim, 4 Drawing Sheets



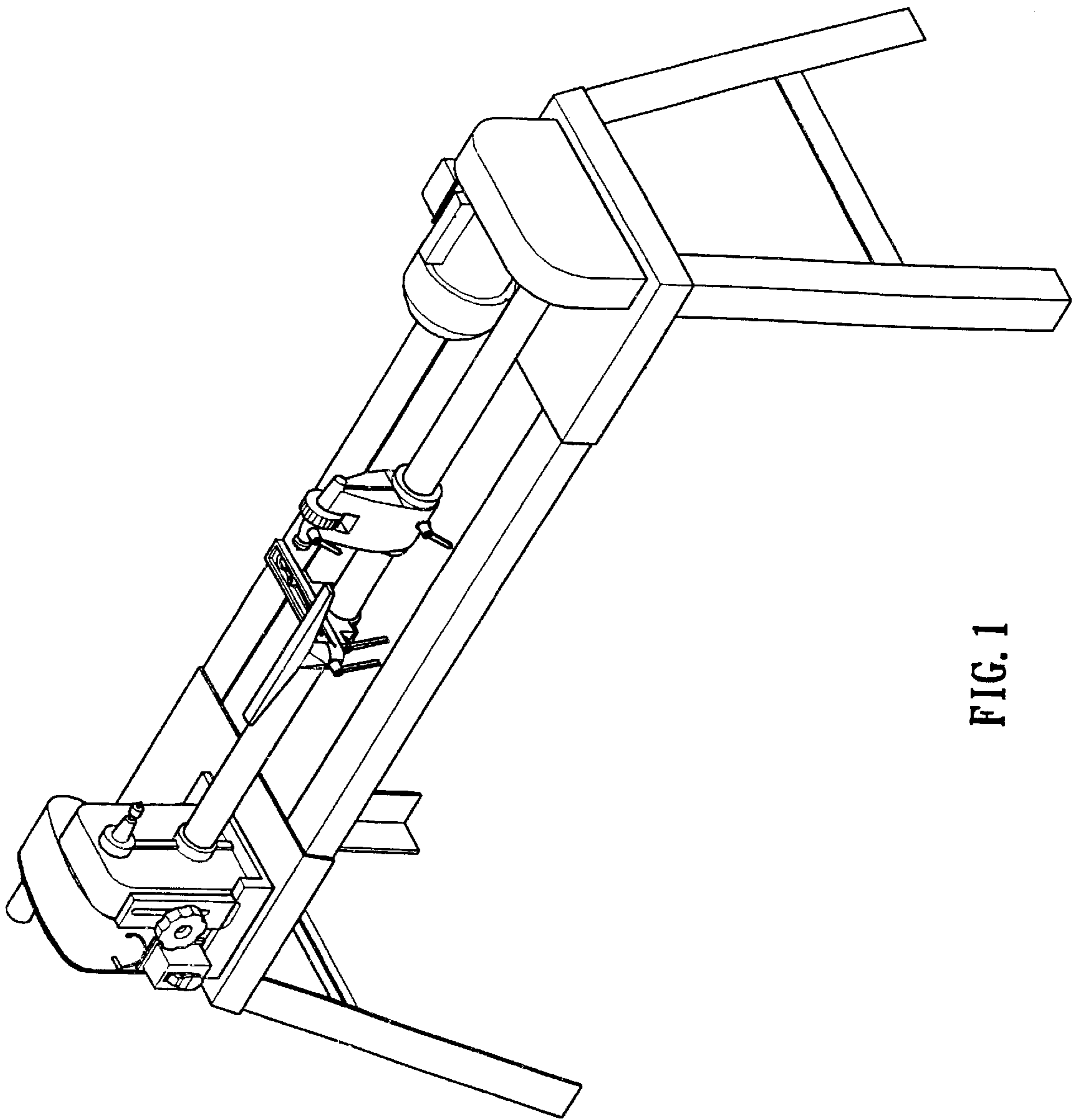


FIG. 1

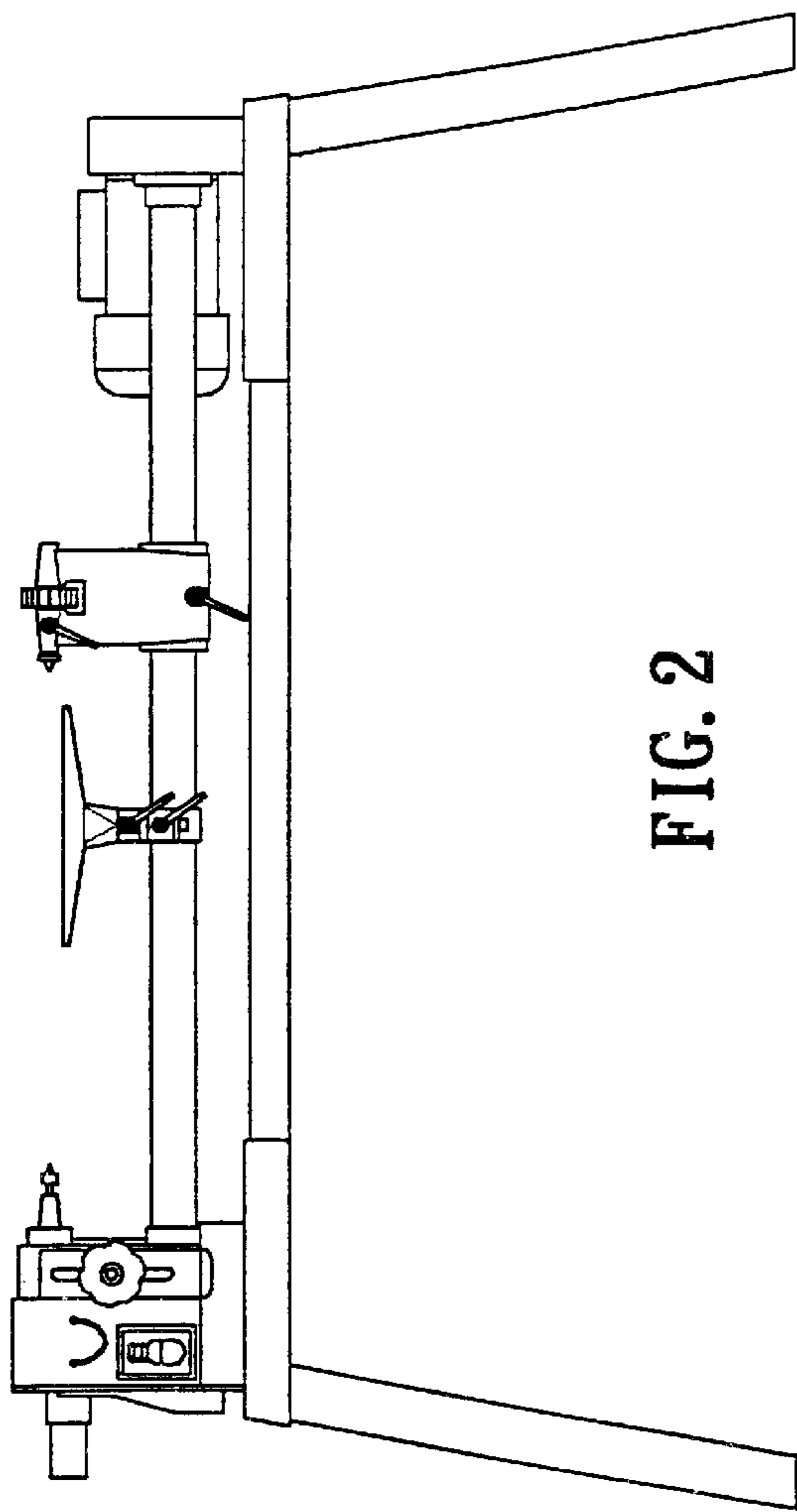


FIG. 2

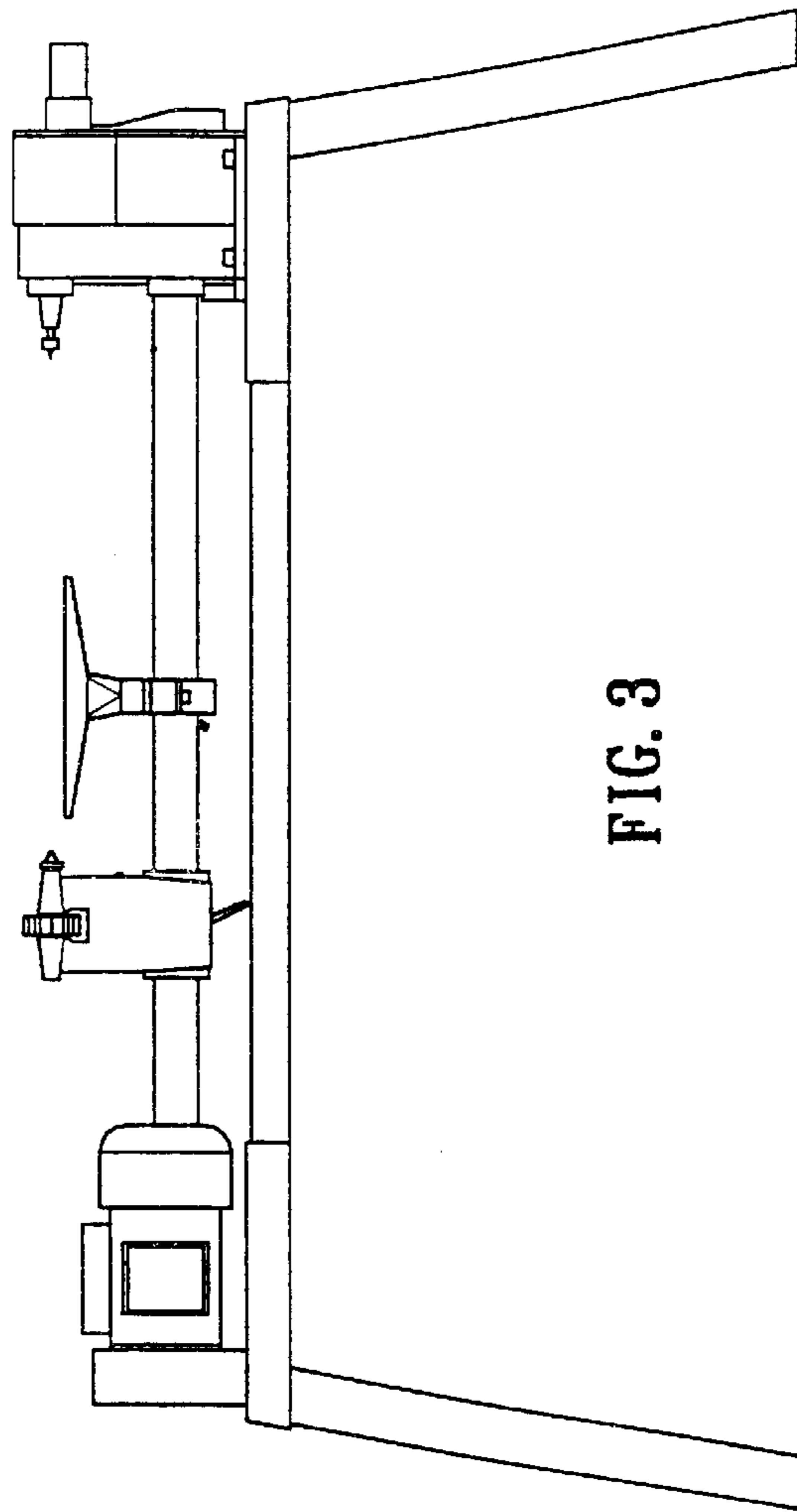


FIG. 3

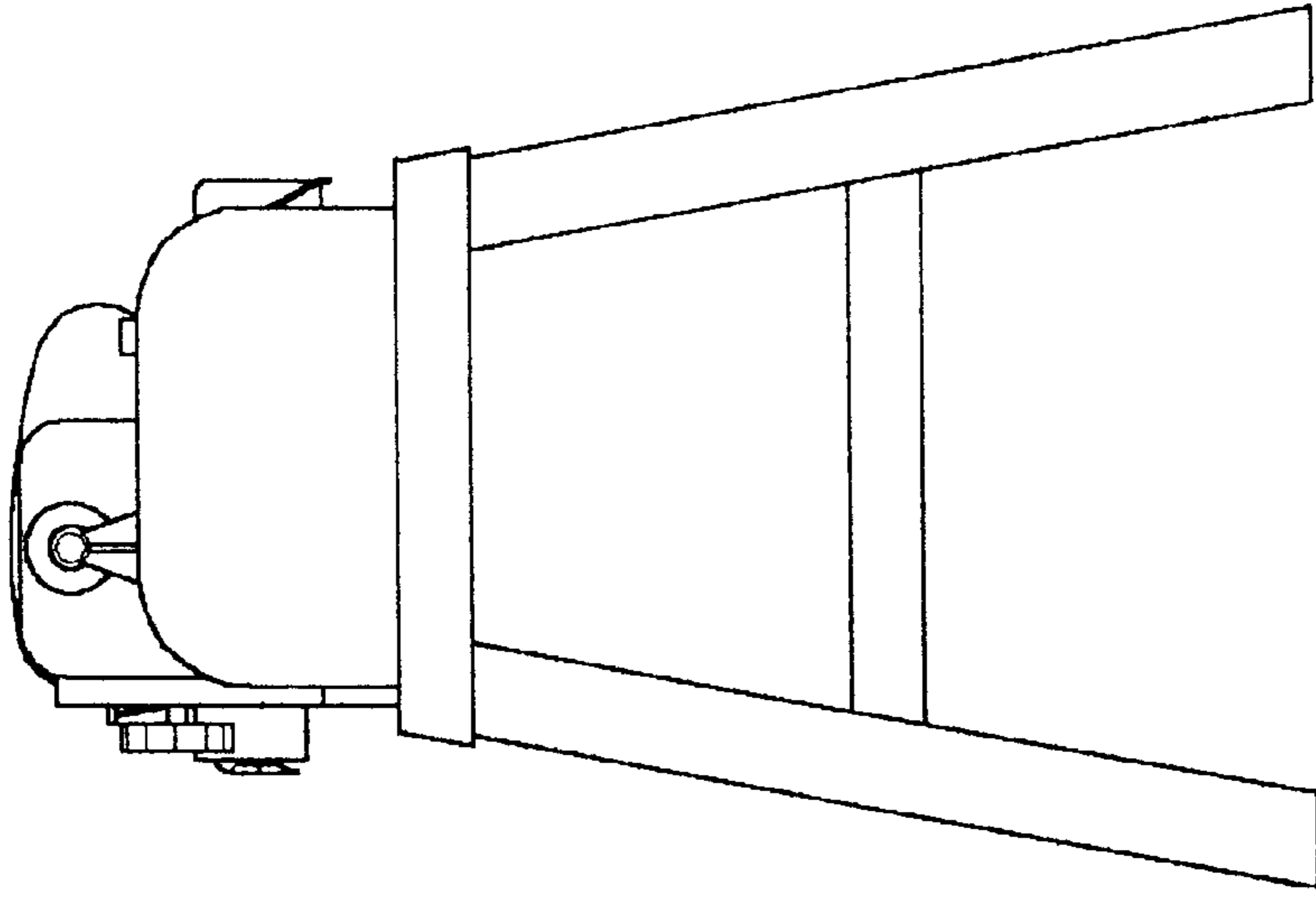


FIG. 5

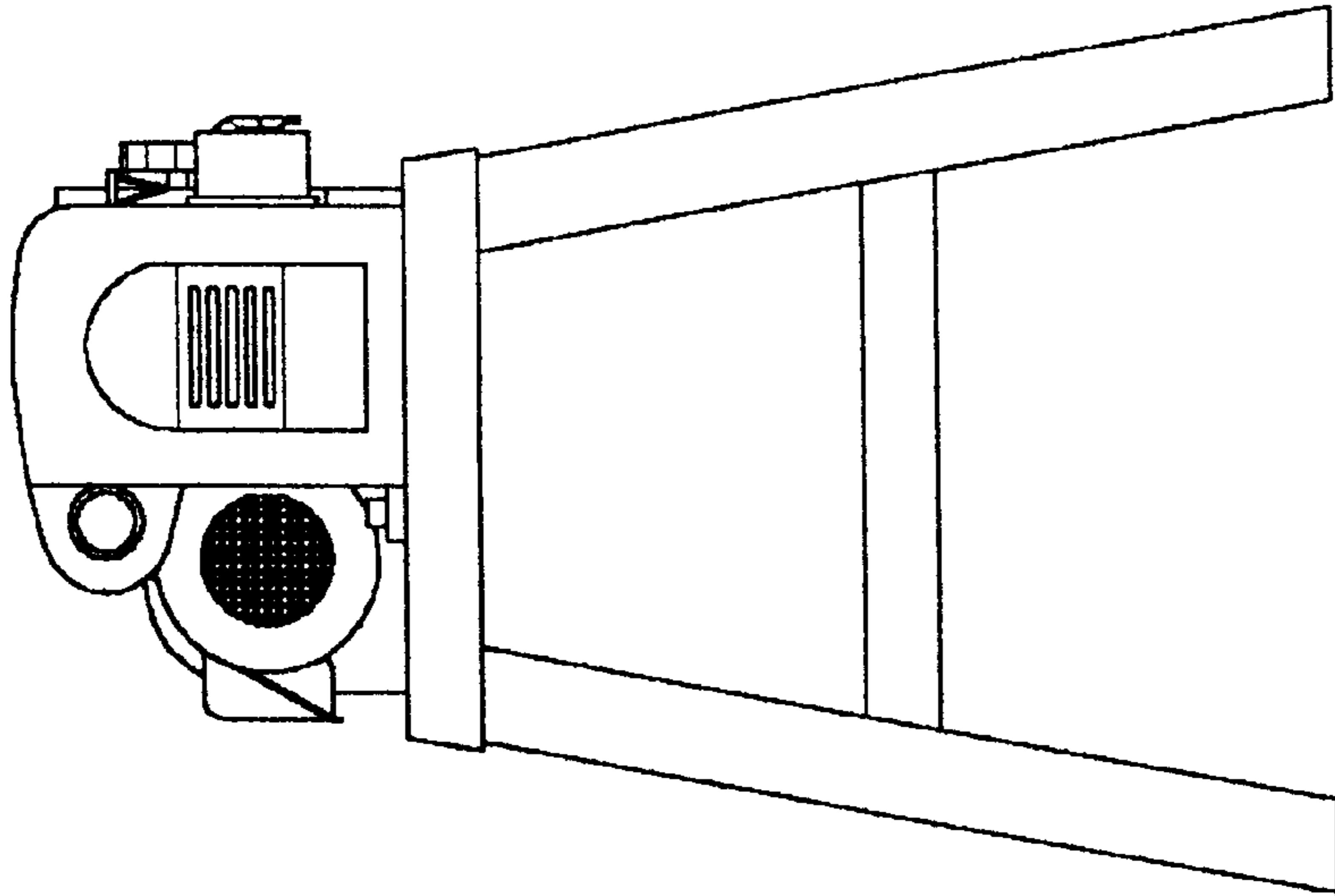


FIG. 4

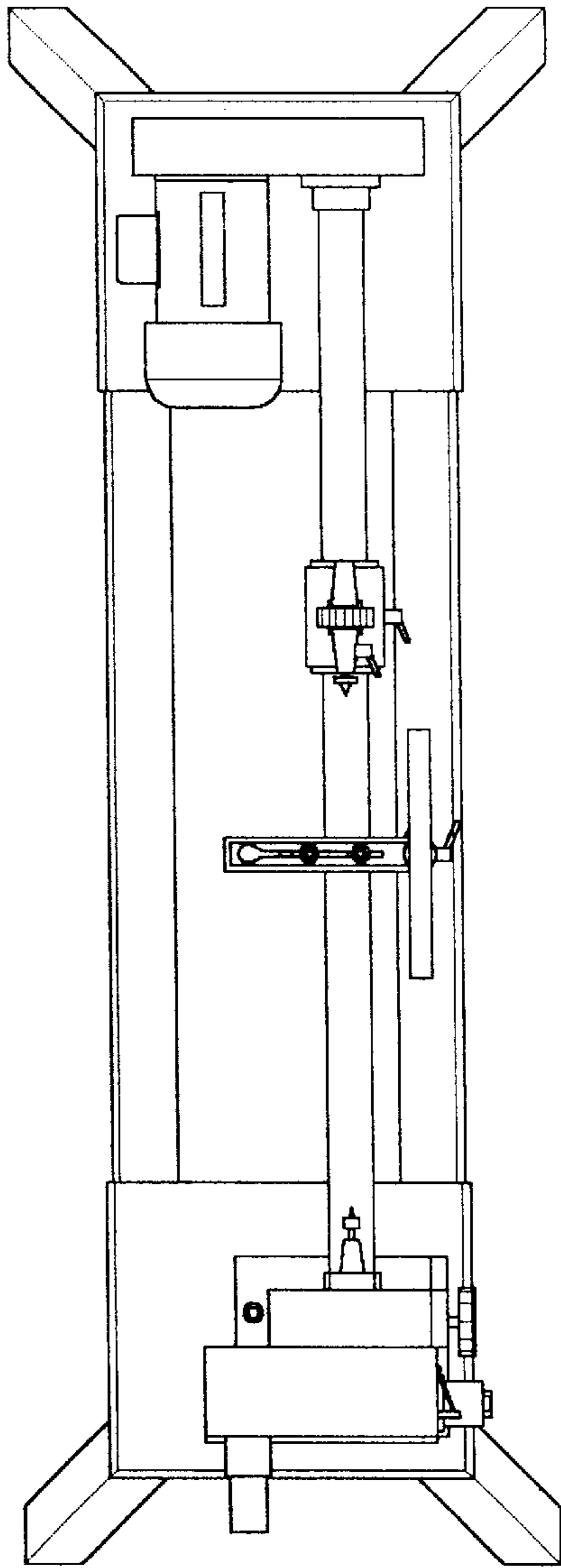


FIG. 6

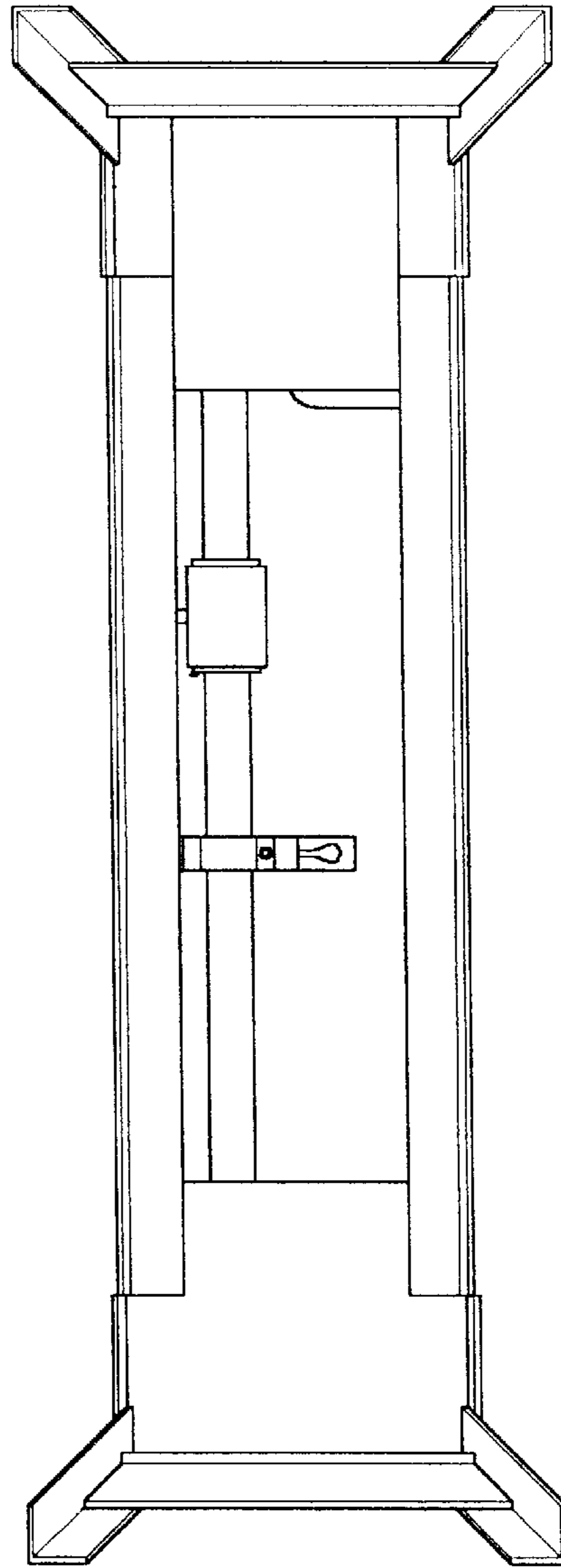


FIG. 7