



US00D471569S

(12) **United States Design Patent**
Wang

(10) **Patent No.:** **US D471,569 S**

(45) **Date of Patent:** **** Mar. 11, 2003**

(54) **PLANER**

D326,667 S * 6/1992 Juang D15/127

(76) Inventor: **Chin-Feng Wang**, 11F-2, No.43, Chai-I Street, Taichung City (TW)

* cited by examiner

(**) Term: **14 Years**

Primary Examiner—Antoine Duval Davis
(74) *Attorney, Agent, or Firm*—Charles E. Baxley

(21) Appl. No.: **29/163,844**

(57) **CLAIM**

(22) Filed: **Jul. 15, 2002**

The ornamental design for a planer, as shown and described.

(51) **LOC (7) Cl.** **15-09**

DESCRIPTION

(52) **U.S. Cl.** **D15/127**

FIG. 1 is a front-right-top perspective view of a planer, showing my new design;

(58) **Field of Search** D15/127; 144/112.1, 144/114.1, 117 R, 114 R, 124-127 A, 154.5, 129, 130, 218, 225, 228, 230, 242.5, 245.1, 246.1, 250.2, 253.2, 253.8, 253.3, 252.1, 375; 488/115 R, 241 S; 409/175, 181

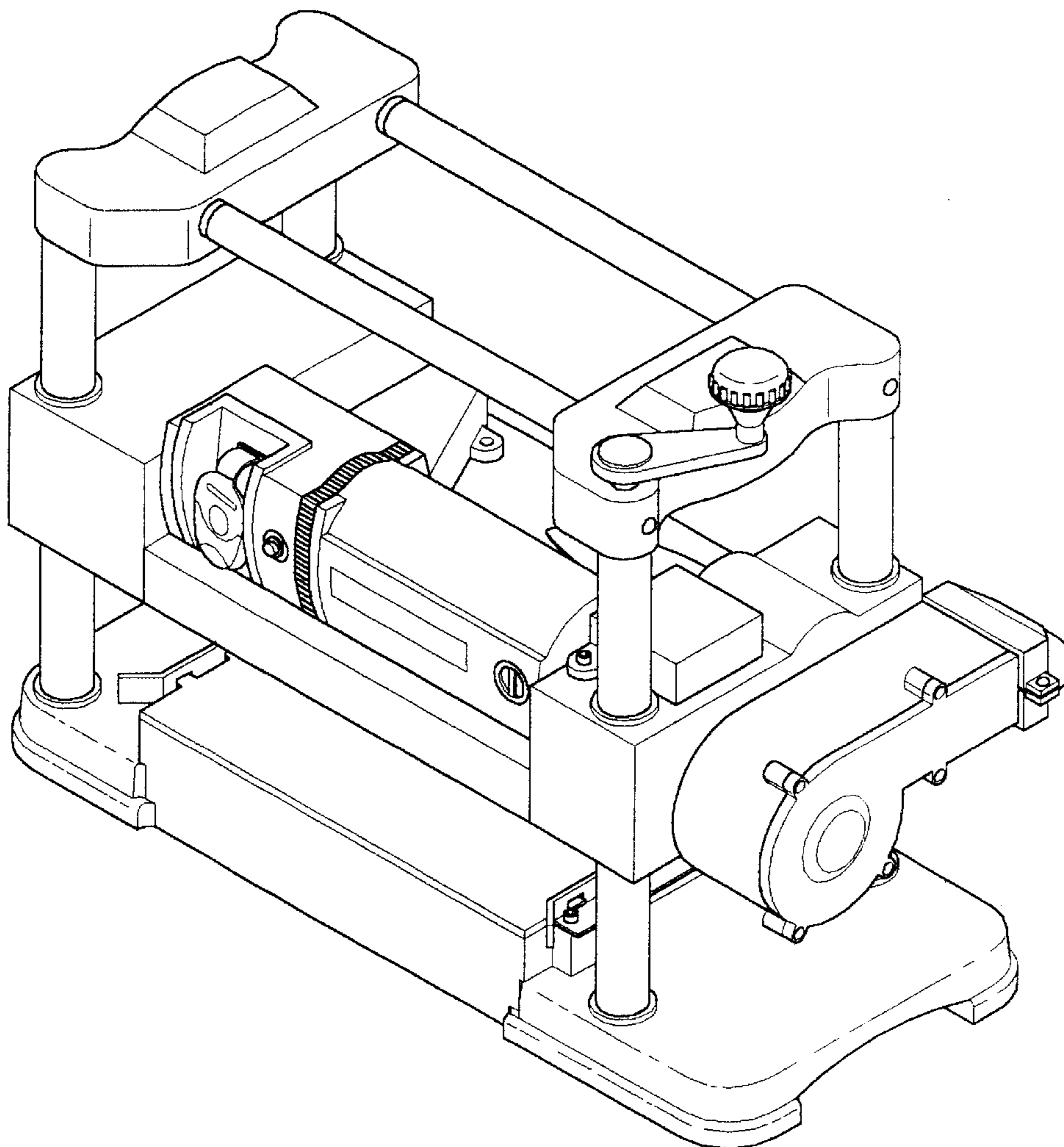
FIG. 2 is a front elevational view thereof;
FIG. 3 is a rear elevational view thereof;
FIG. 4 is a left elevational view thereof;
FIG. 5 is a right elevational view thereof;
FIG. 6 is a top plan view thereof; and,
FIG. 7 is a bottom plan view thereof.

(56) **References Cited**

U.S. PATENT DOCUMENTS

D285,448 S * 9/1986 Hashil D15/127

1 Claim, 4 Drawing Sheets



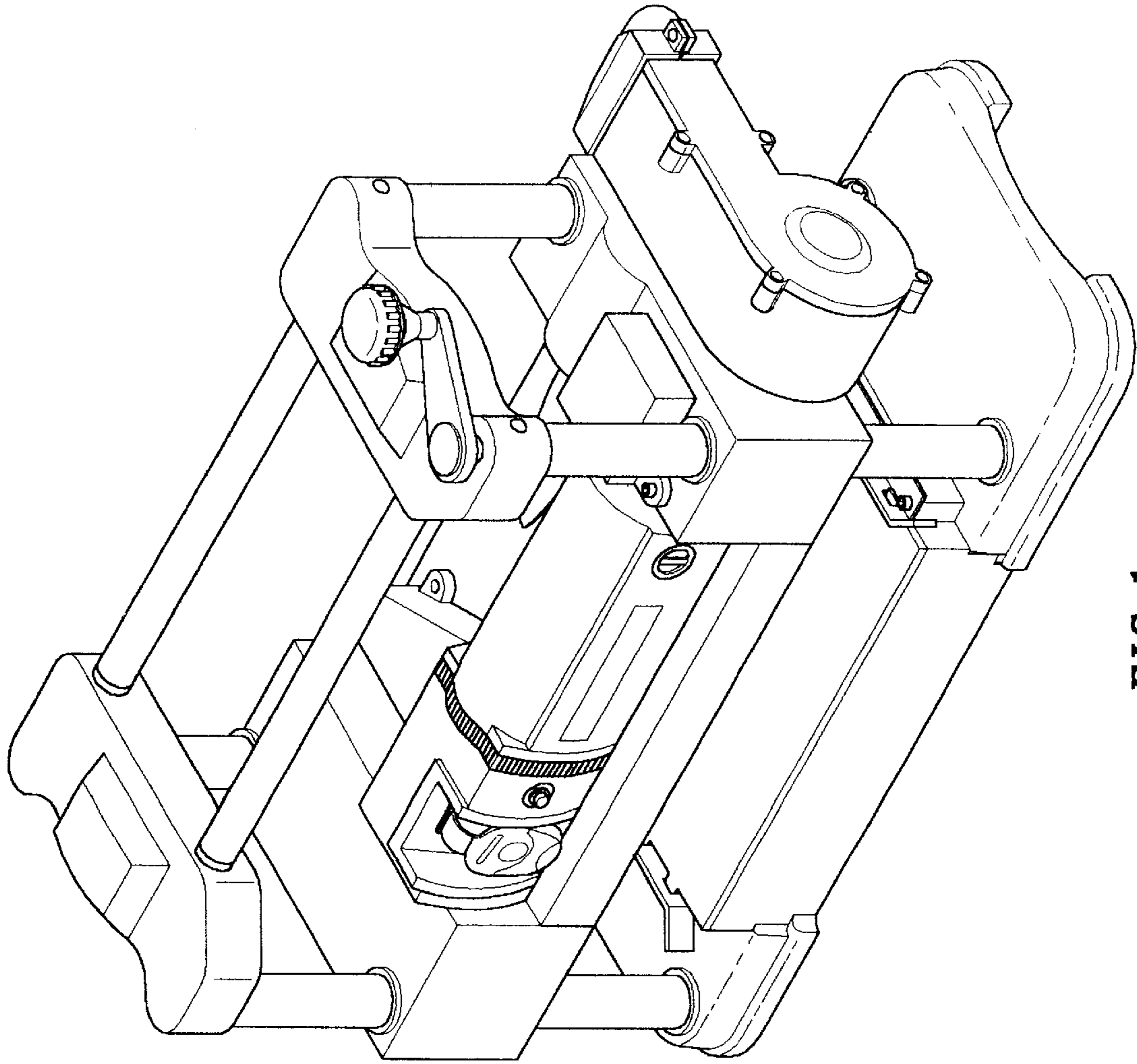


FIG. 1

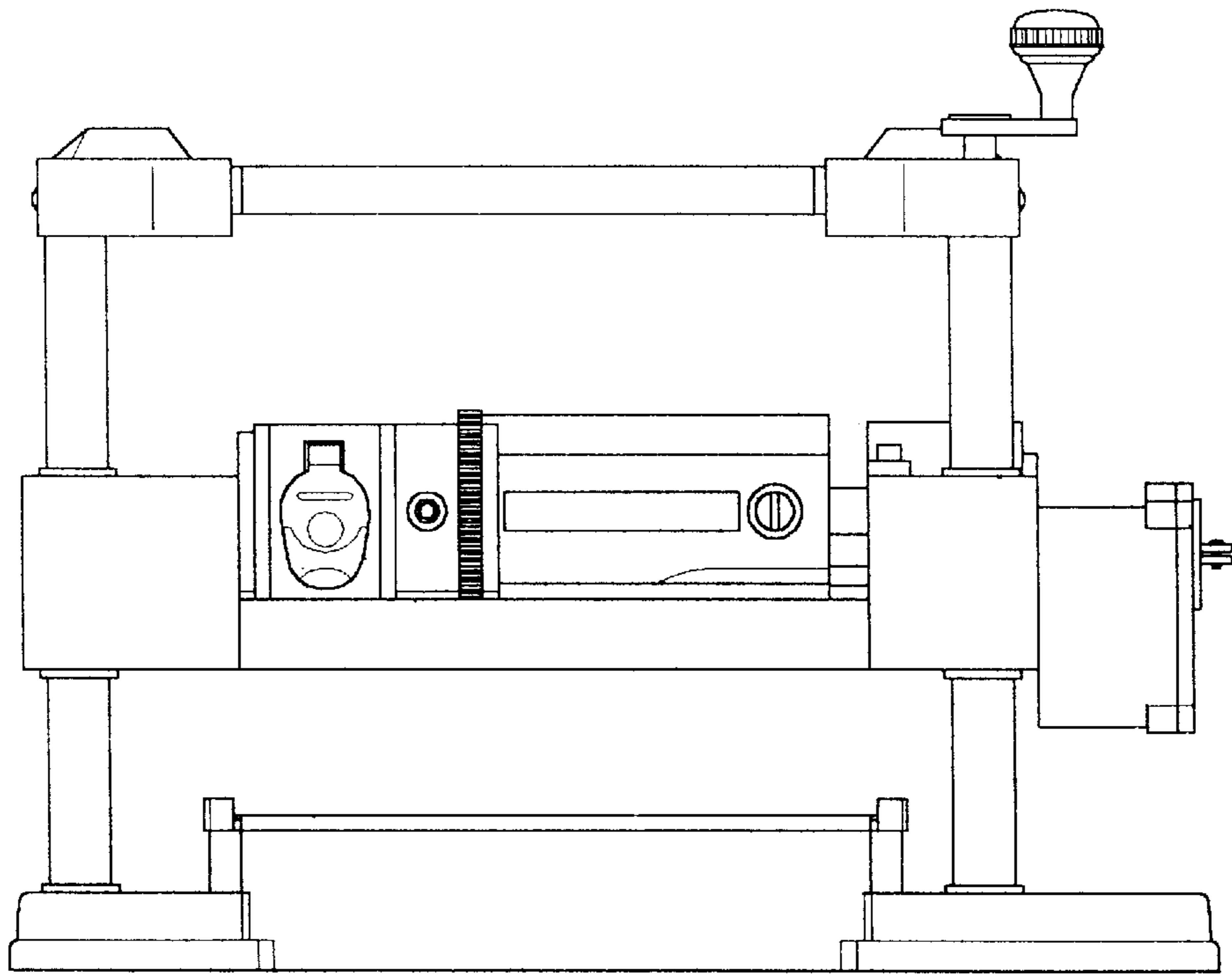


FIG. 2

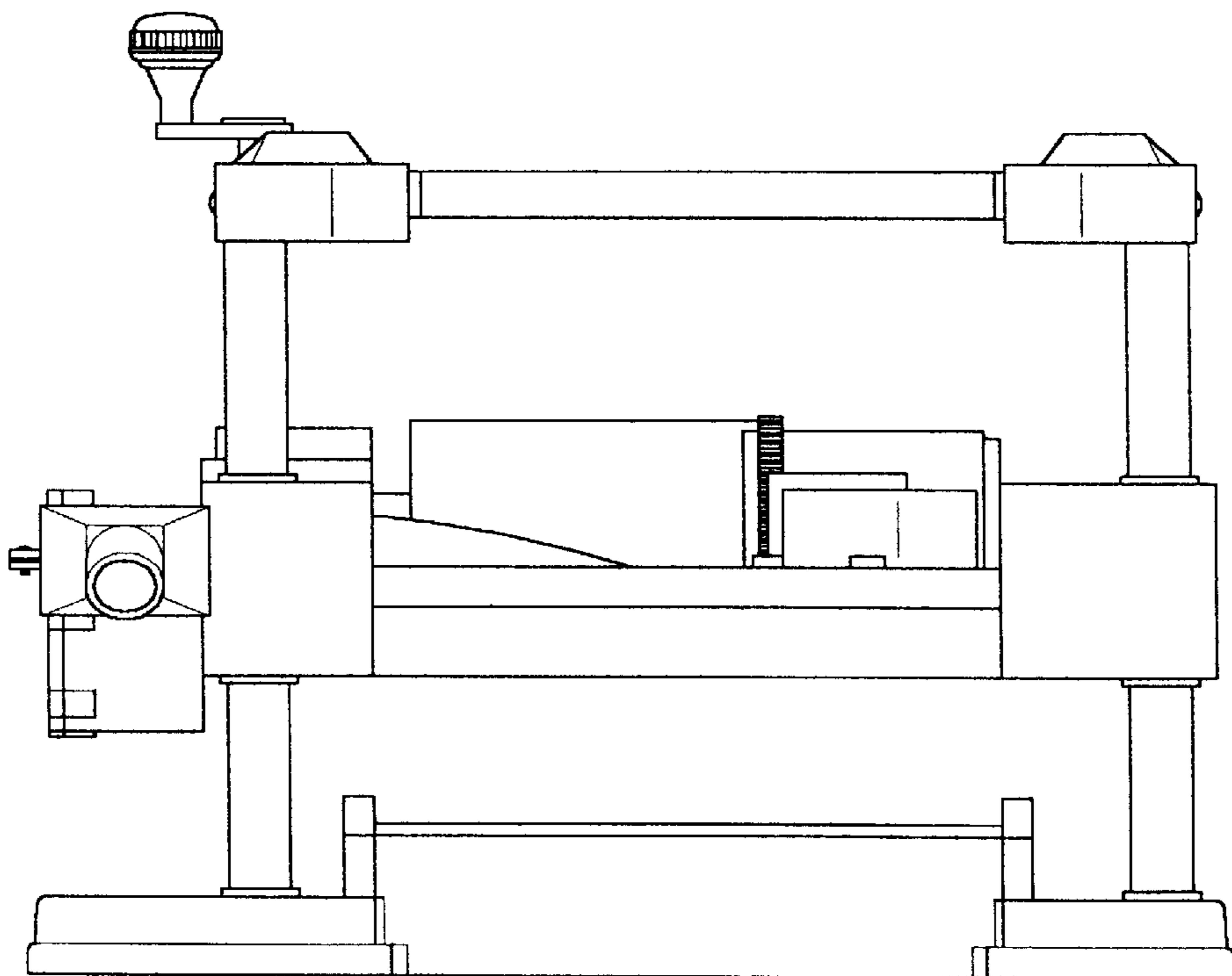


FIG. 3

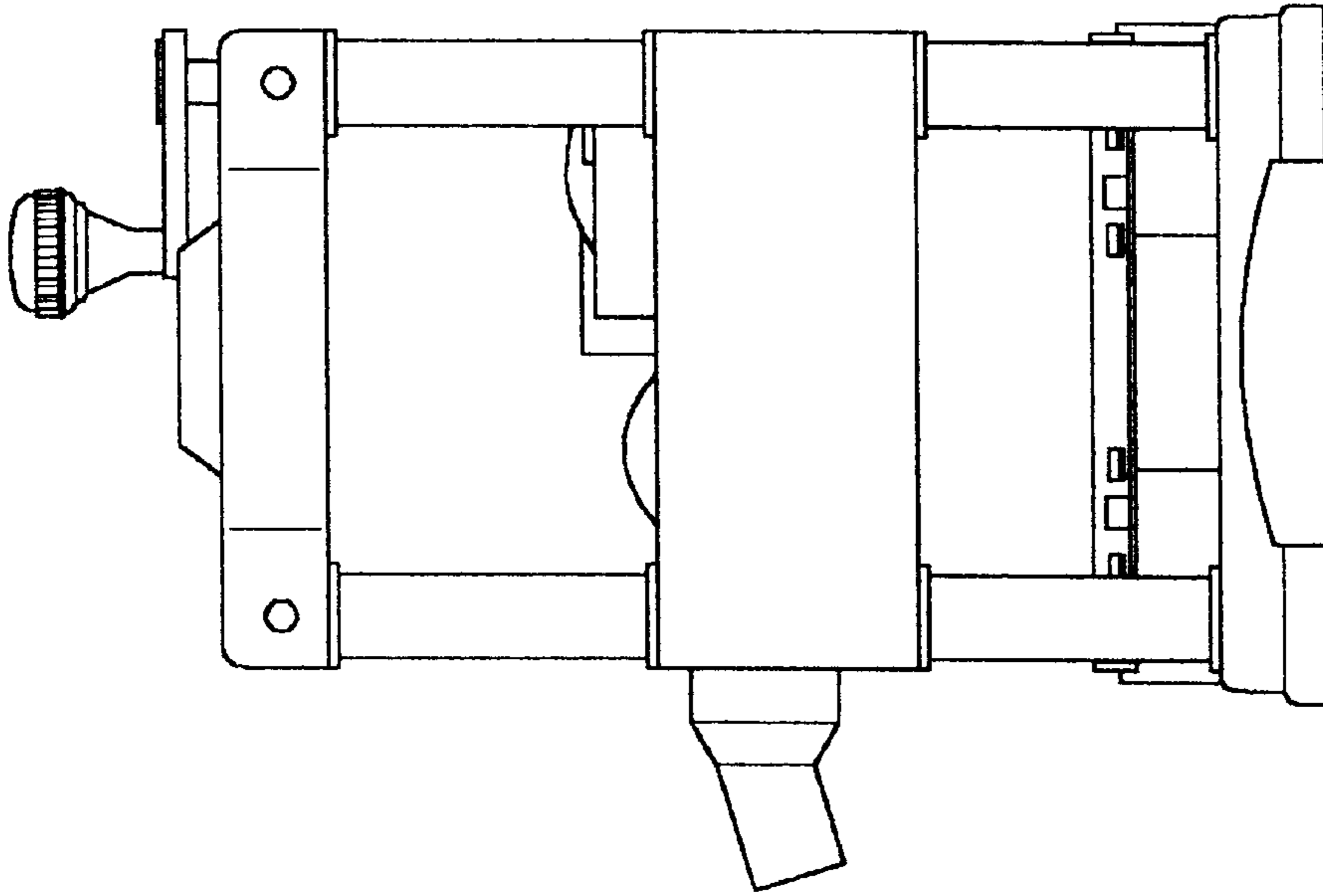


FIG. 5

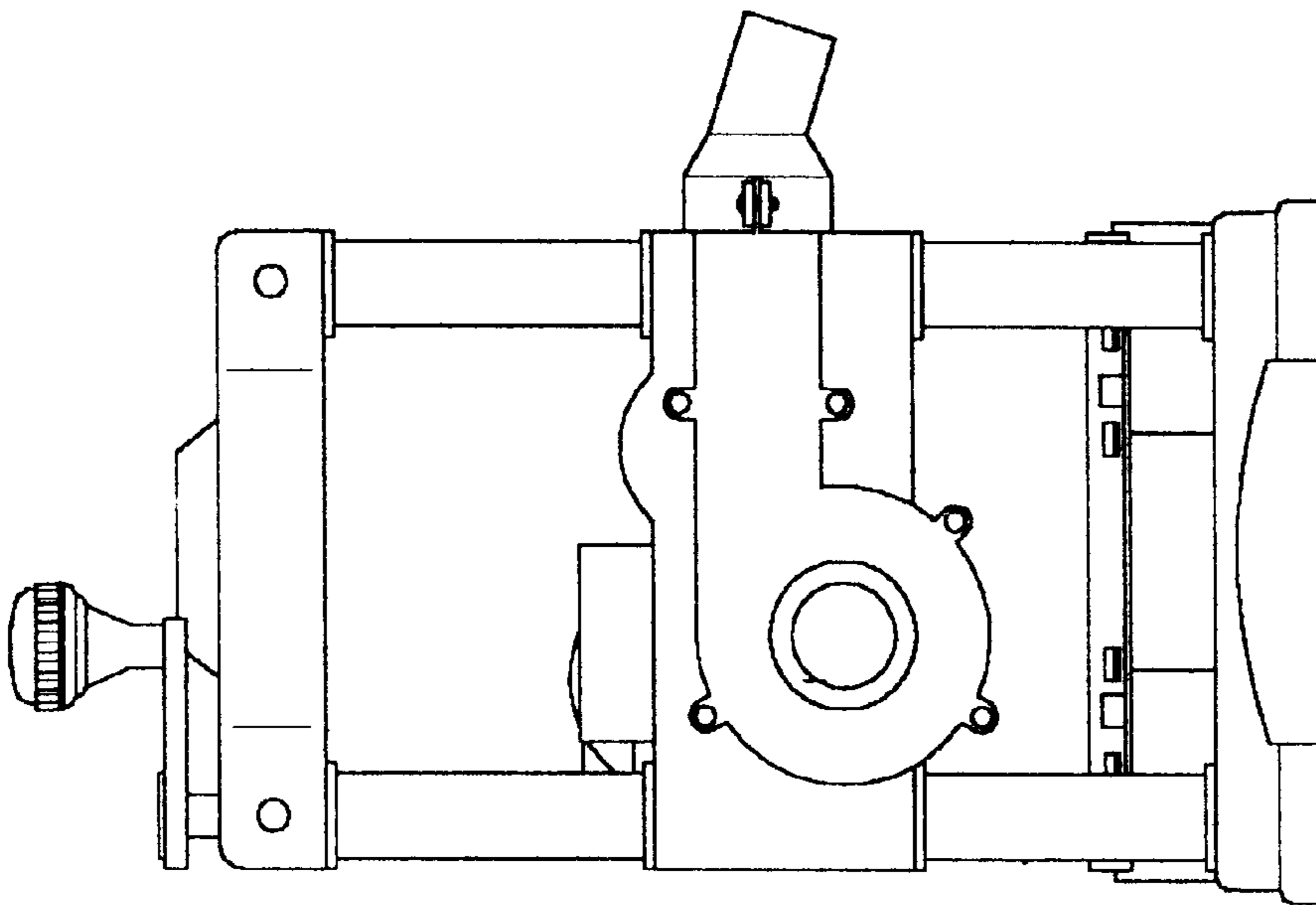


FIG. 4

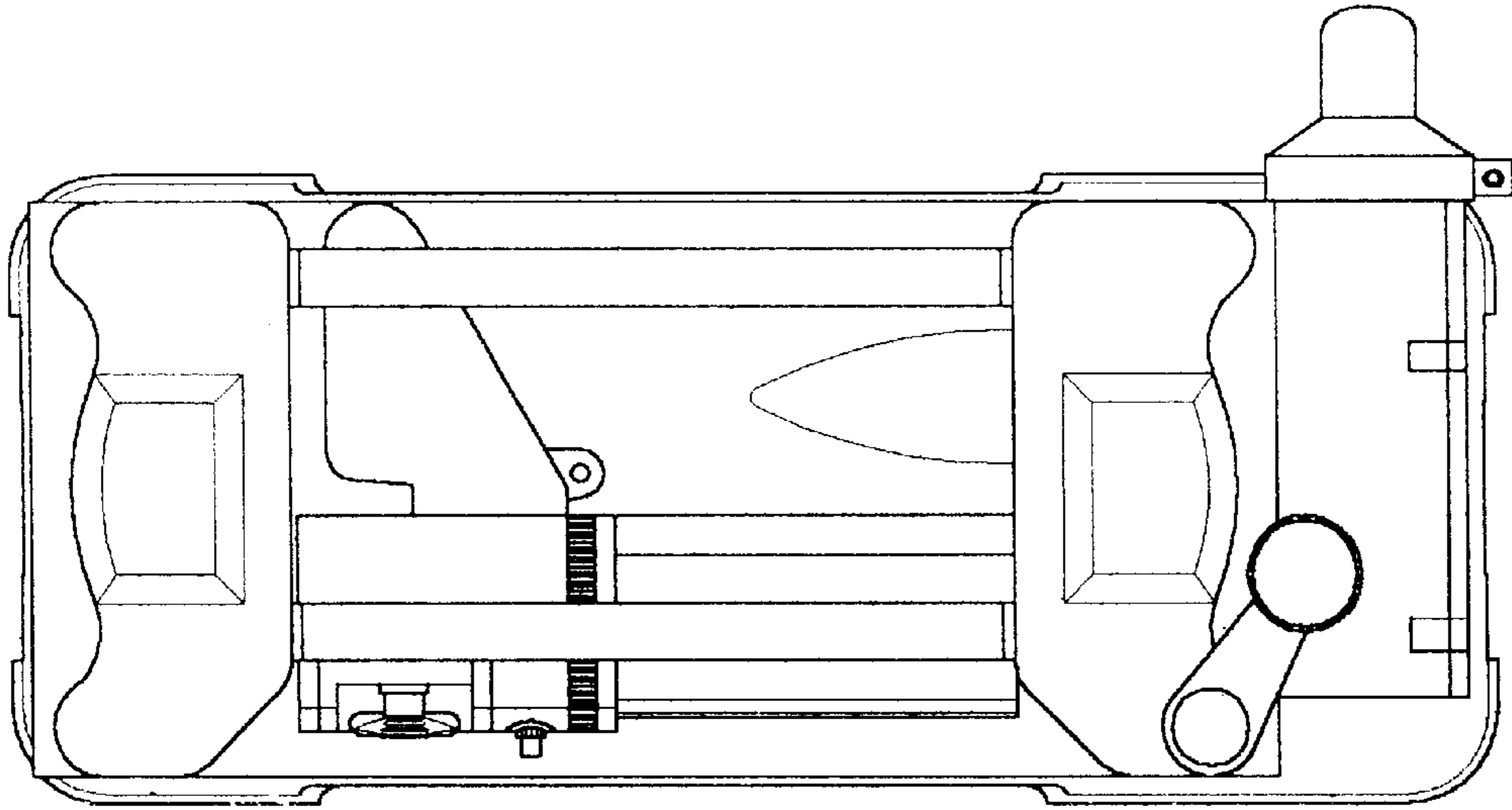


FIG. 6

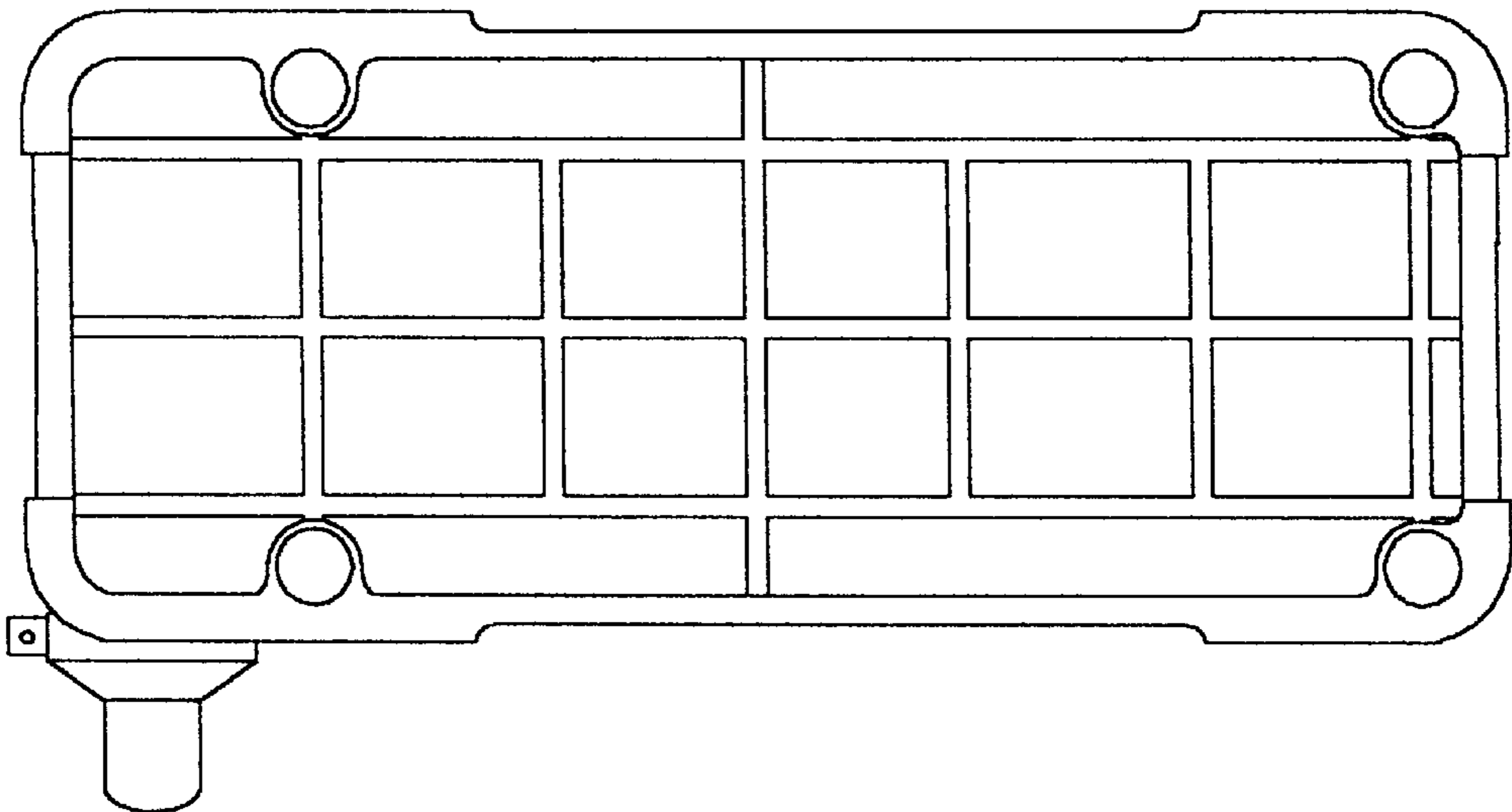


FIG. 7