



US00D471568S

(12) **United States Design Patent**  
**Smith et al.**

(10) **Patent No.:** **US D471,568 S**

(45) **Date of Patent:** **\*\* Mar. 11, 2003**

(54) **WALK IN BEVERAGE COOLER**

(75) Inventors: **Scott A. Smith**, Dayton, OH (US);  
**Greg B. Amburgy**, Enon, OH (US);  
**Frederick R. Bradshaw**, Centerville,  
OH (US); **Roy L. Chamberlain**,  
Fishers, IN (US); **Jeffrey A. Davidson**,  
Beavercreek, OH (US); **Robert A.**  
**Fortman**, Beavercreek, OH (US);  
**Harson M. Whitman**, Yellow Springs,  
OH (US); **James R. O'Neil**, Waukesha,  
WI (US); **Franklin T. Pleasants**,  
Beavercreek, OH (US)

(73) Assignee: **Marathon Ashland Petroleum LLC**,  
Findlay, OH (US)

(\*\*) Term: **14 Years**

(21) Appl. No.: **29/132,819**

(22) Filed: **Nov. 16, 2000**

(51) **LOC (7) Cl.** ..... **15-03**

(52) **U.S. Cl.** ..... **D15/85**

(58) **Field of Search** ..... D15/79, 81, 85,  
D15/86, 88; 62/246, 248, 251, 275, 440,  
441, 449; 312/116, 401, 402, 405, 405.1,  
138.1; 222/146.6

(56) **References Cited**

**U.S. PATENT DOCUMENTS**

4,940,297 A \* 7/1990 Borgen ..... 312/138.1  
5,918,773 A \* 7/1999 Donovan et al. .... 222/146.6  
D440,986 S \* 4/2001 Bardin et al. .... D15/81

\* cited by examiner

*Primary Examiner*—Mitchell Siegel

(74) *Attorney, Agent, or Firm*—Emch, Schaffer, Schaub &  
Porcello Co., L.P.A.

(57) **CLAIM**

The ornamental design for a walk-in beverage cooler, as  
shown.

**DESCRIPTION**

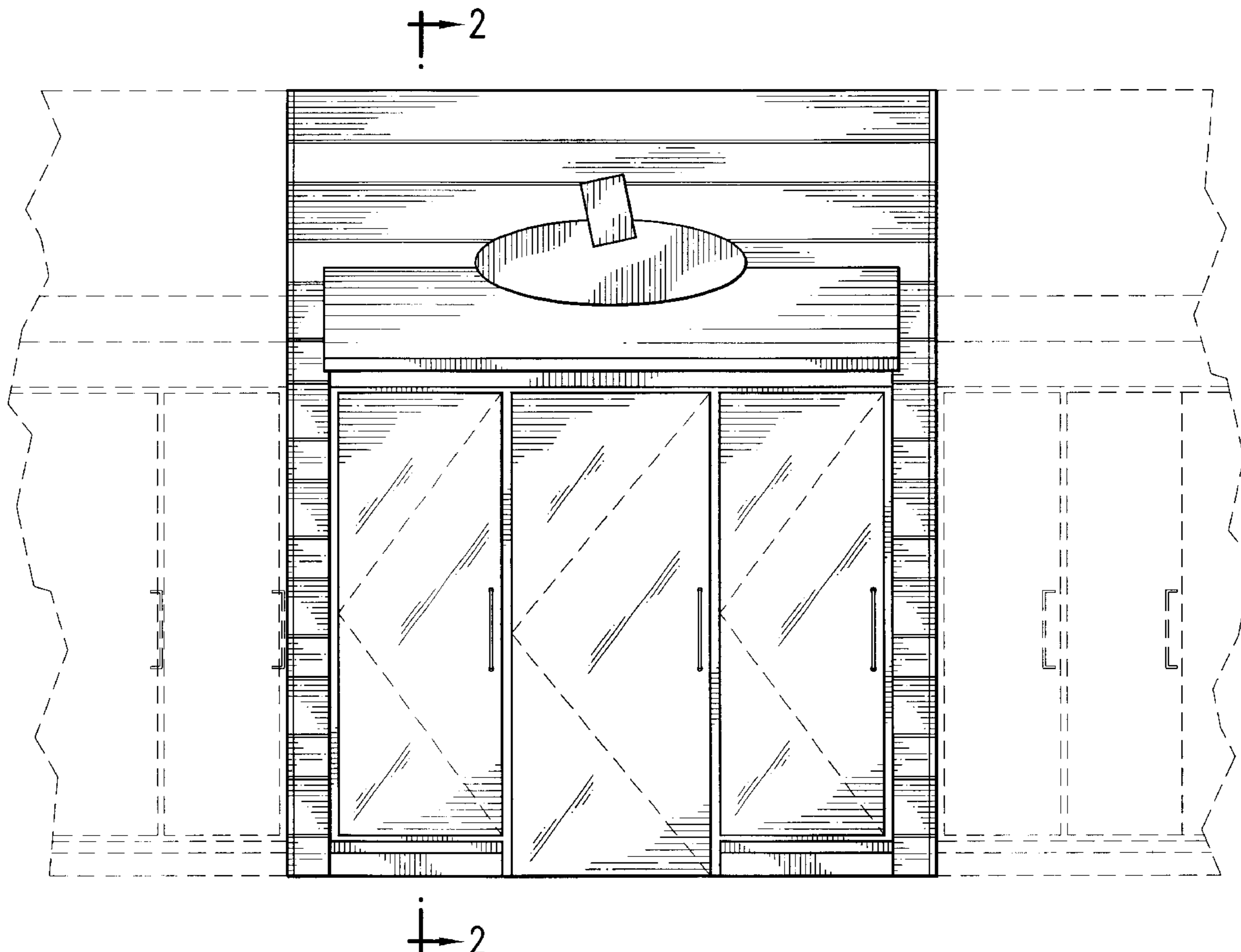
FIG. 1 is a front elevational view of the walk-in beverage  
cooler;

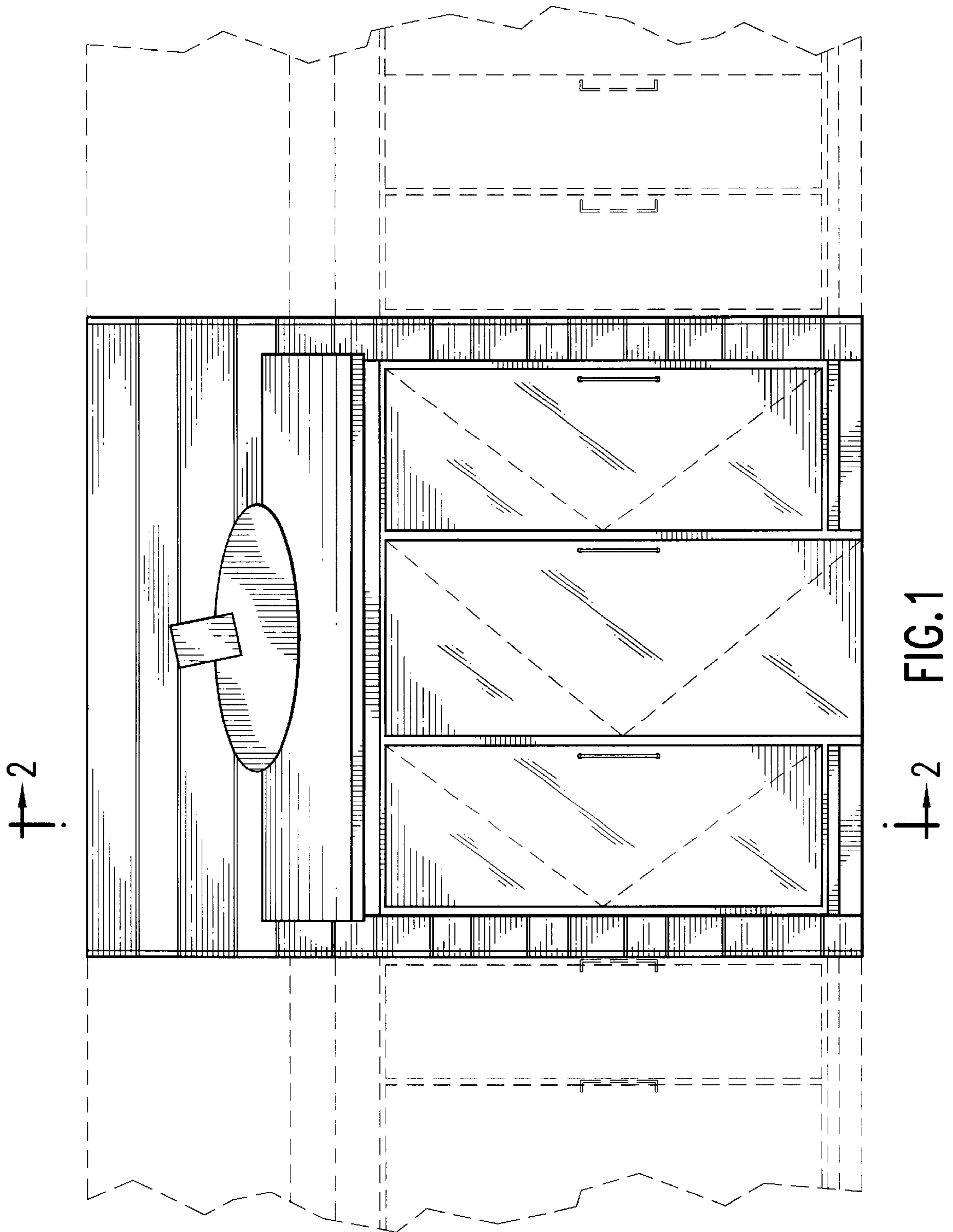
FIG. 2 is a cross sectional view taken on line 2—2 of FIG.  
1; and,

FIG. 3 is a side elevational view of FIG. 1.

The broken line showing is for illustrative purposes only and  
forms no part of the claimed design.

**1 Claim, 3 Drawing Sheets**





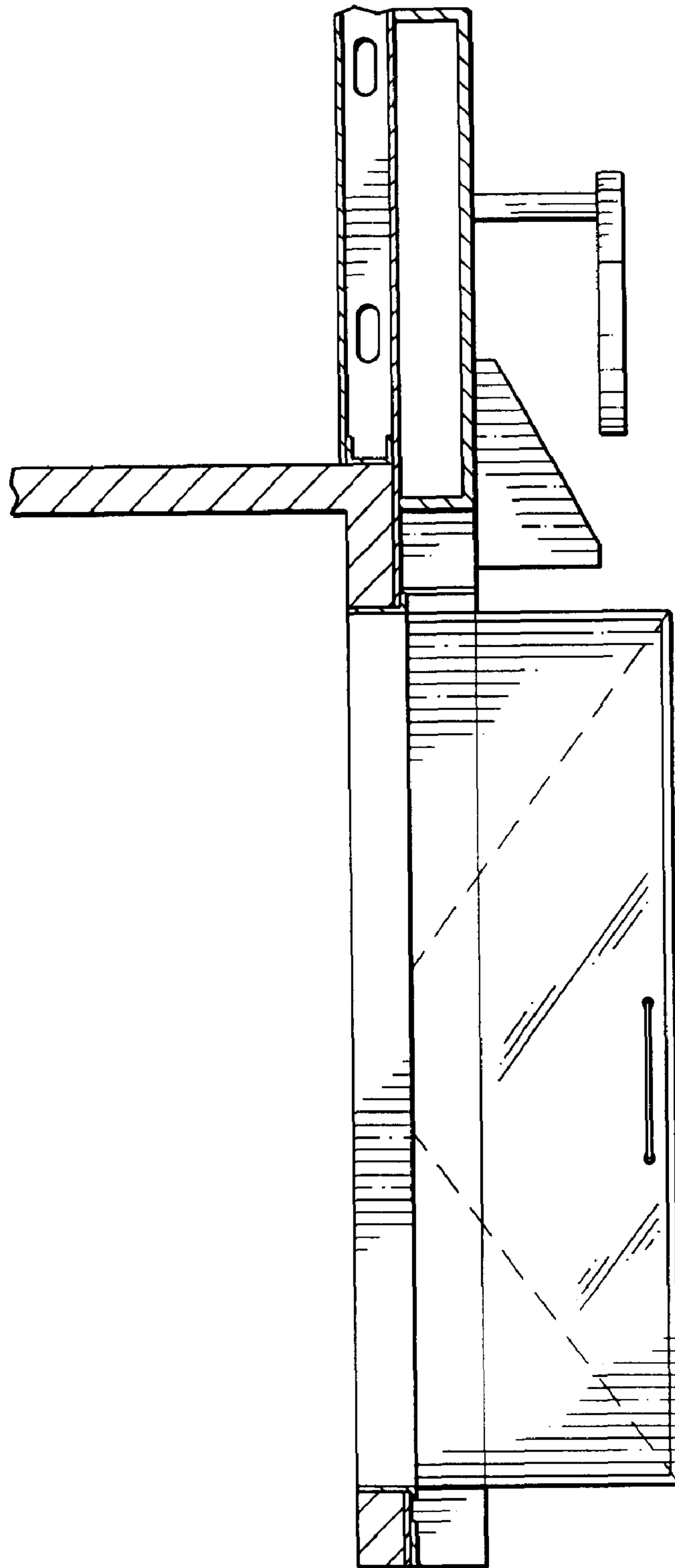


FIG.2

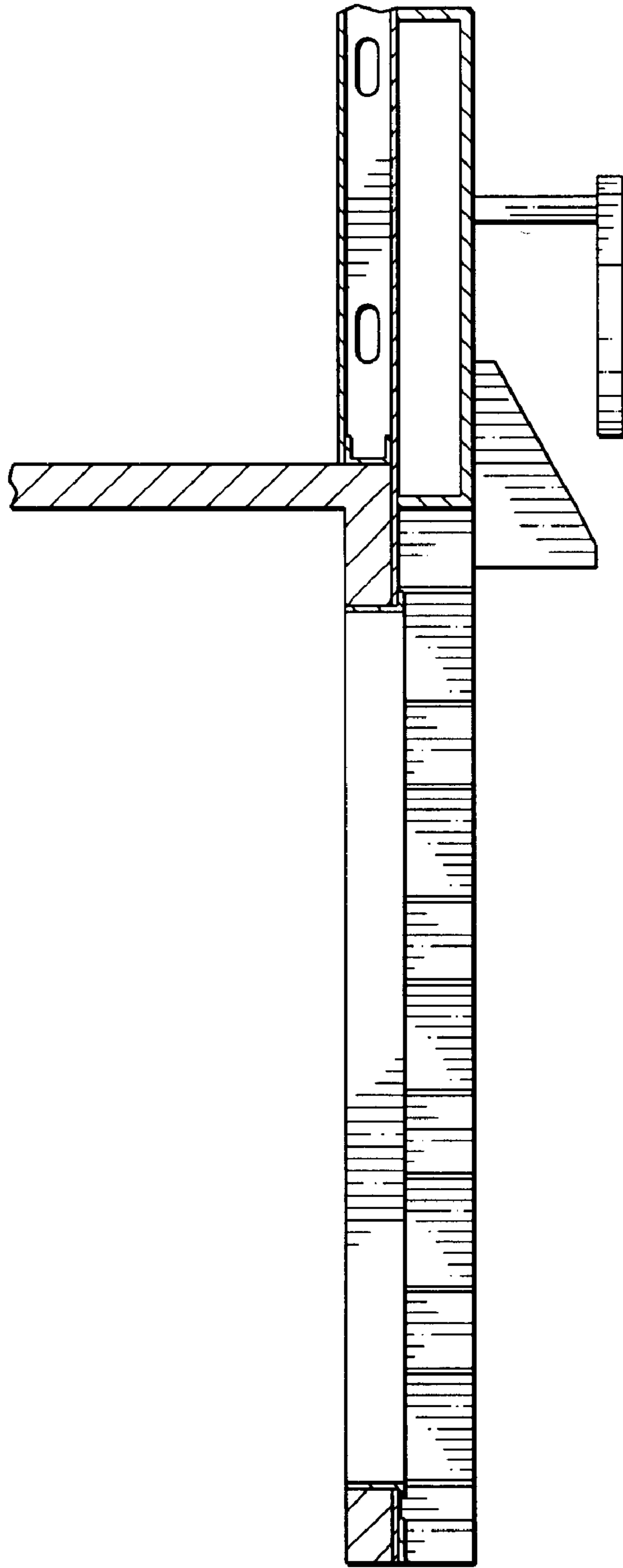


FIG.3