



US00D471564S

(12) **United States Design Patent**
Hohnl et al.

(10) **Patent No.:** **US D471,564 S**

(45) **Date of Patent:** **** Mar. 11, 2003**

(54) **DASH SURFACE**

D428,022 S * 7/2000 Altmann et al. D15/28

(75) Inventors: **Gary David Hohnl**, Singer, WI (US);
Dale Selsor Di Iulio, Oak Creek, WI (US);
Richard Scott Walters, Cedar Grove, WI (US)

* cited by examiner

Primary Examiner—Mitchell Siegel

(73) Assignee: **Deere & Company**, Moline, IL (US)

(57) **CLAIM**

(**) Term: **14 Years**

The ornamental design for a dash surface, as shown and described.

(21) Appl. No.: **29/148,091**

DESCRIPTION

(22) Filed: **Sep. 13, 2001**

FIG. 1 is an elevated left rear perspective view of a dash surface showing our new design, the broken line showing being for illustrative purposes only, and forms no part of the claimed design.

(51) **LOC (7) Cl.** **15-03**

(52) **U.S. Cl.** **D15/28**

(58) **Field of Search** D15/22-26, 28,
D15/31, 33; 180/69.2, 69.21, 90, 69.24;
296/70, 30

FIG. 2 is an elevated right rear perspective view of the dash surface design of FIG. 1.

FIG. 3 is a plan view of the dash surface design of FIG. 1.

FIG. 4 is a rear view of the dash surface design of FIG. 1.

FIG. 5 is a right side view of the dash surface design of FIG. 1.

(56) **References Cited**

U.S. PATENT DOCUMENTS

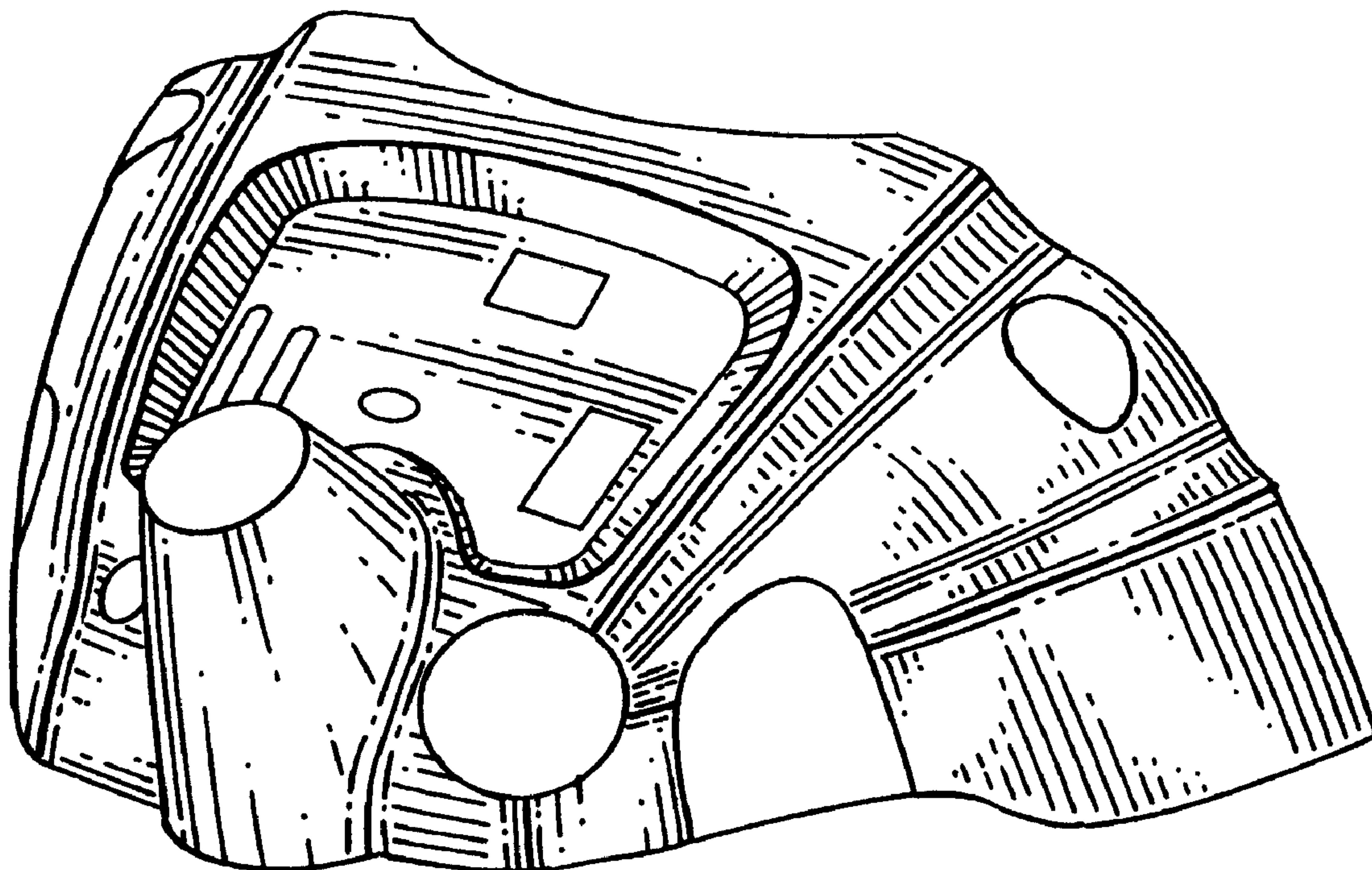
- D256,018 S * 7/1980 Stone et al. D15/28
- D276,422 S * 11/1984 Montgomery D15/28
- D365,574 S 12/1995 Westmayer et al. D15/17
- 5,725,065 A * 3/1998 Knurr et al. 180/69.2
- D427,613 S * 7/2000 Altmann et al. D15/28

FIG. 6 is a left side view of the dash surface design of FIG. 1; and,

FIG. 7 is a front view of the dash surface design of FIG. 1.

The broken line showing is for illustrative purposes only and forms no part of the claimed design.

1 Claim, 3 Drawing Sheets



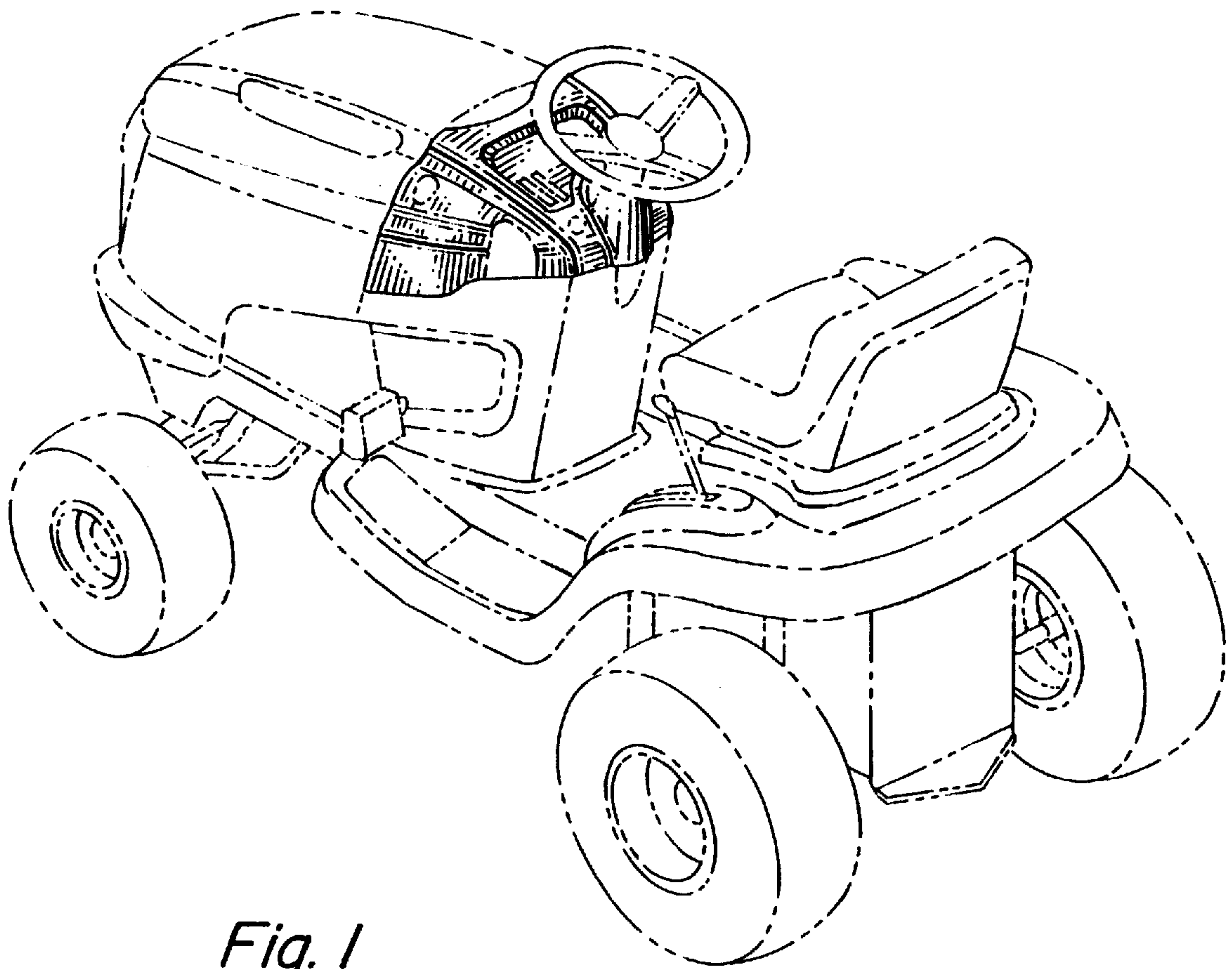


Fig. 1

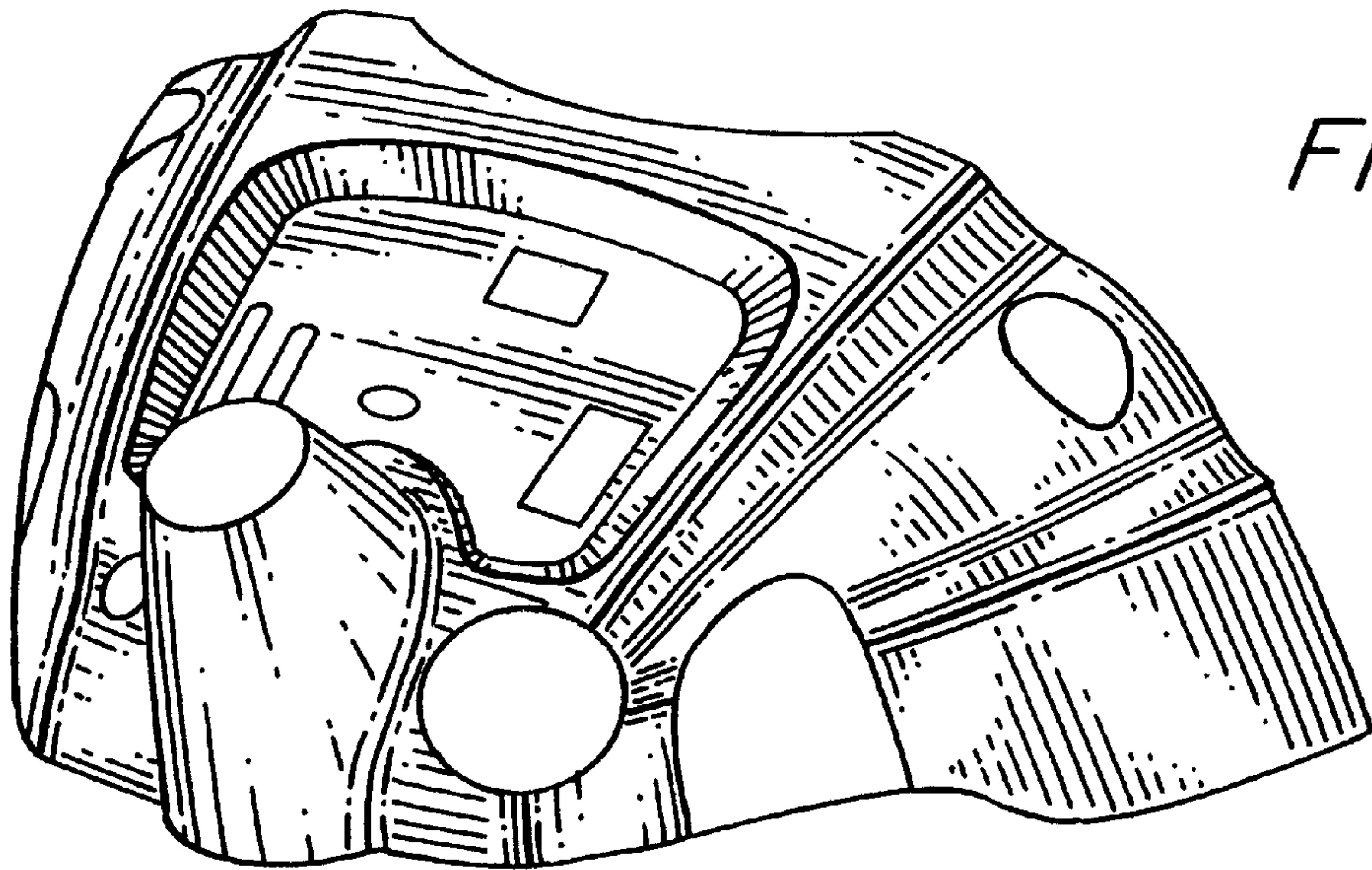


Fig. 2

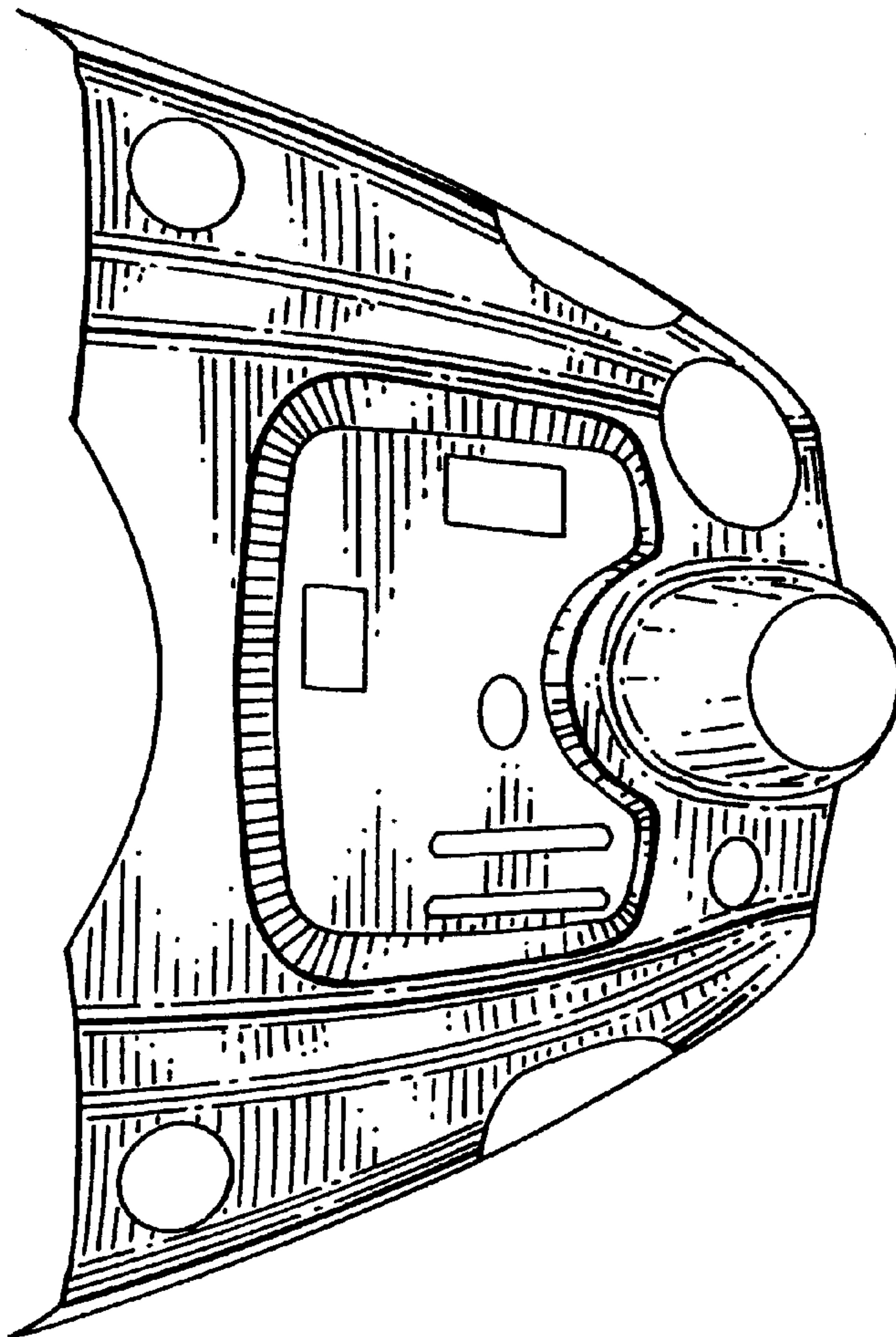


Fig. 3

Fig. 5

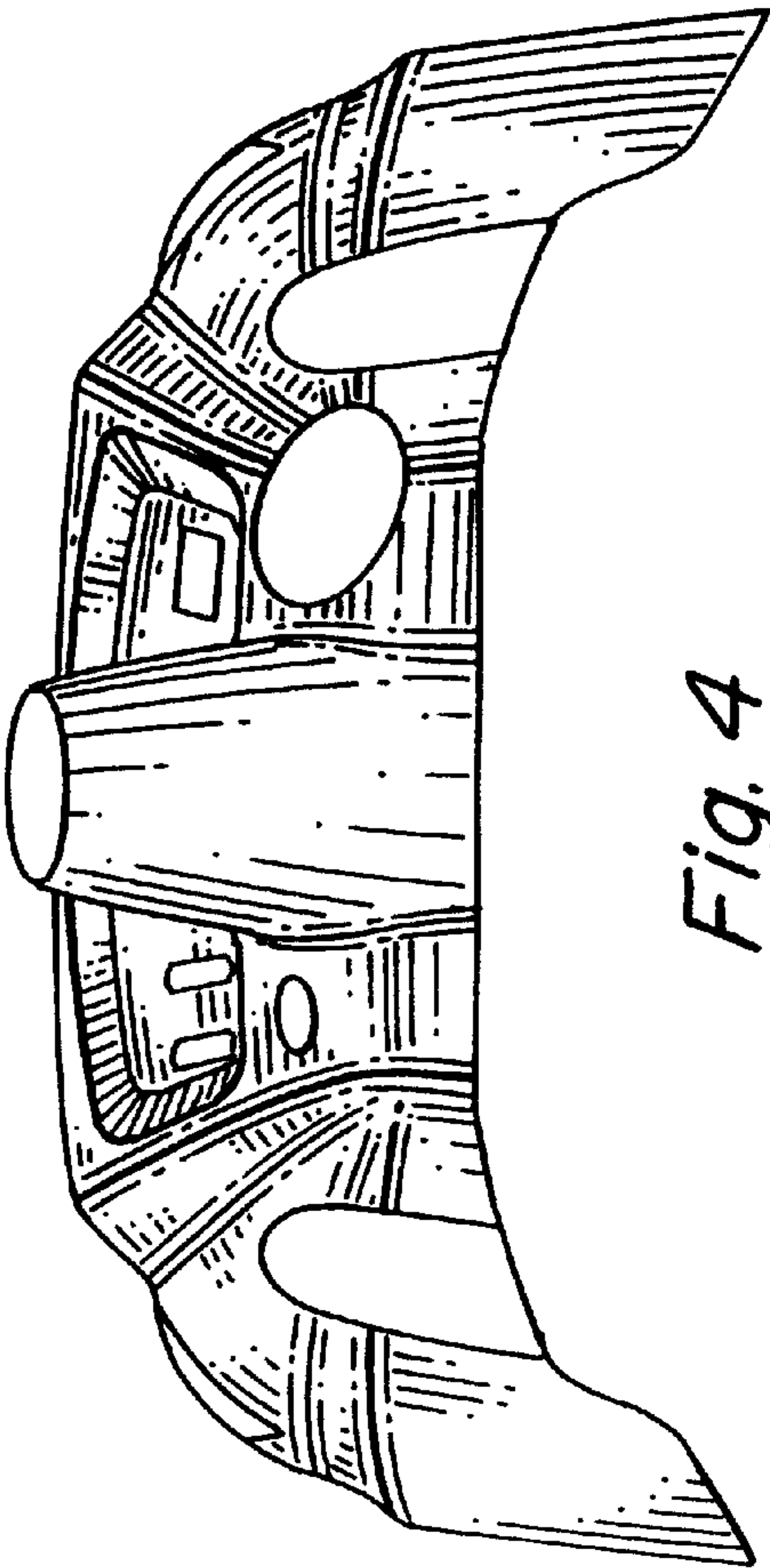
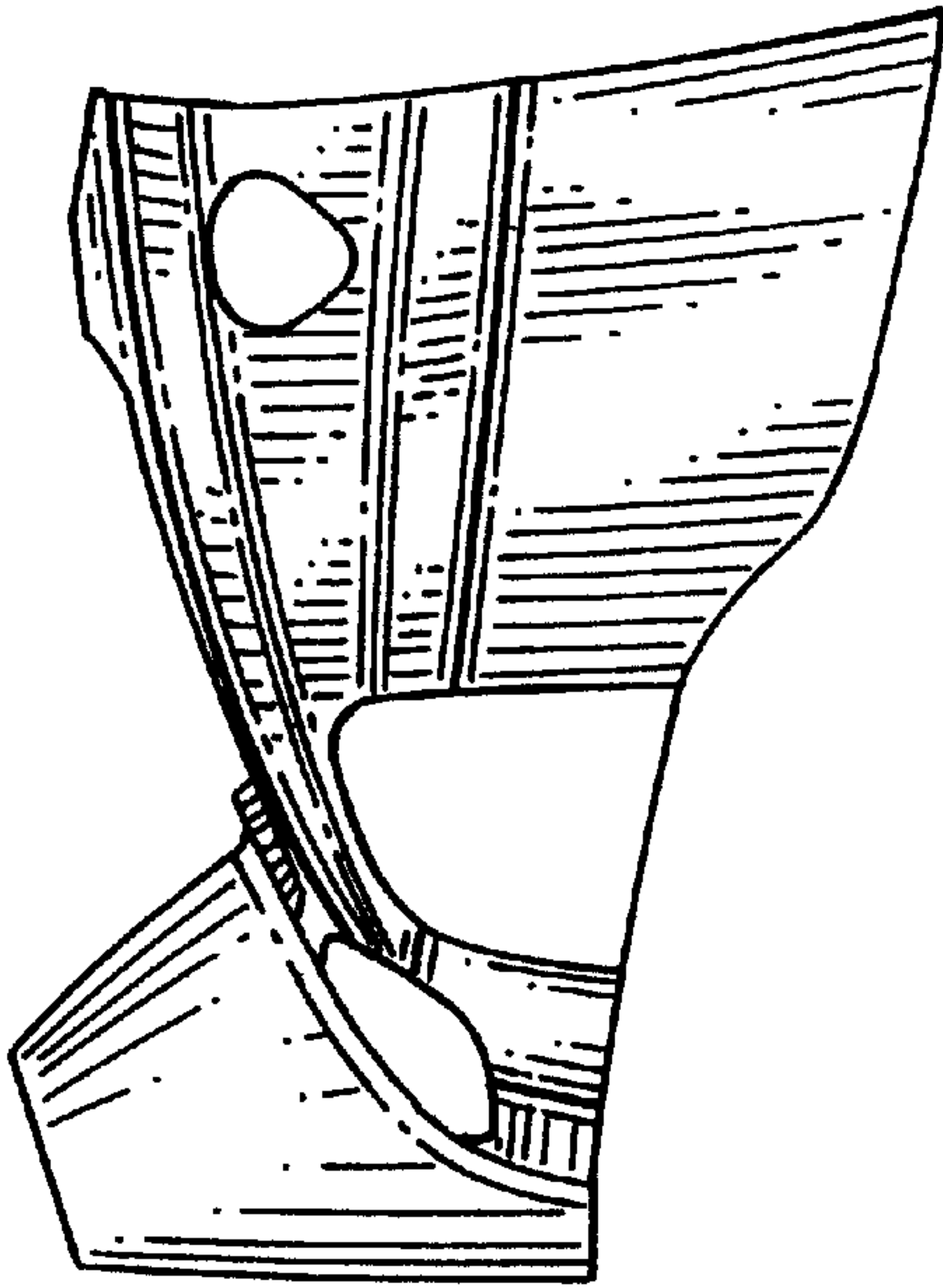


Fig. 4

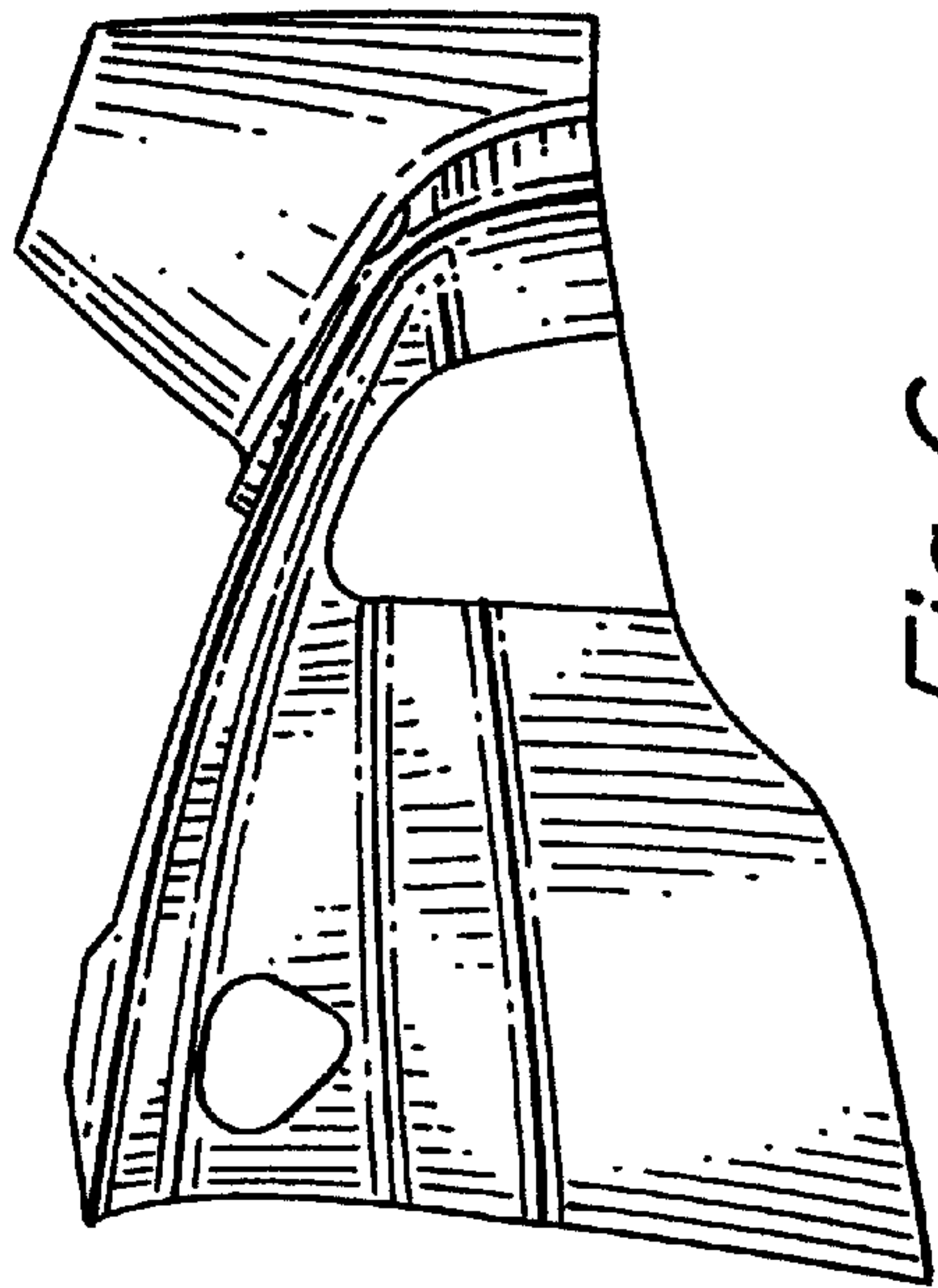


Fig. 6

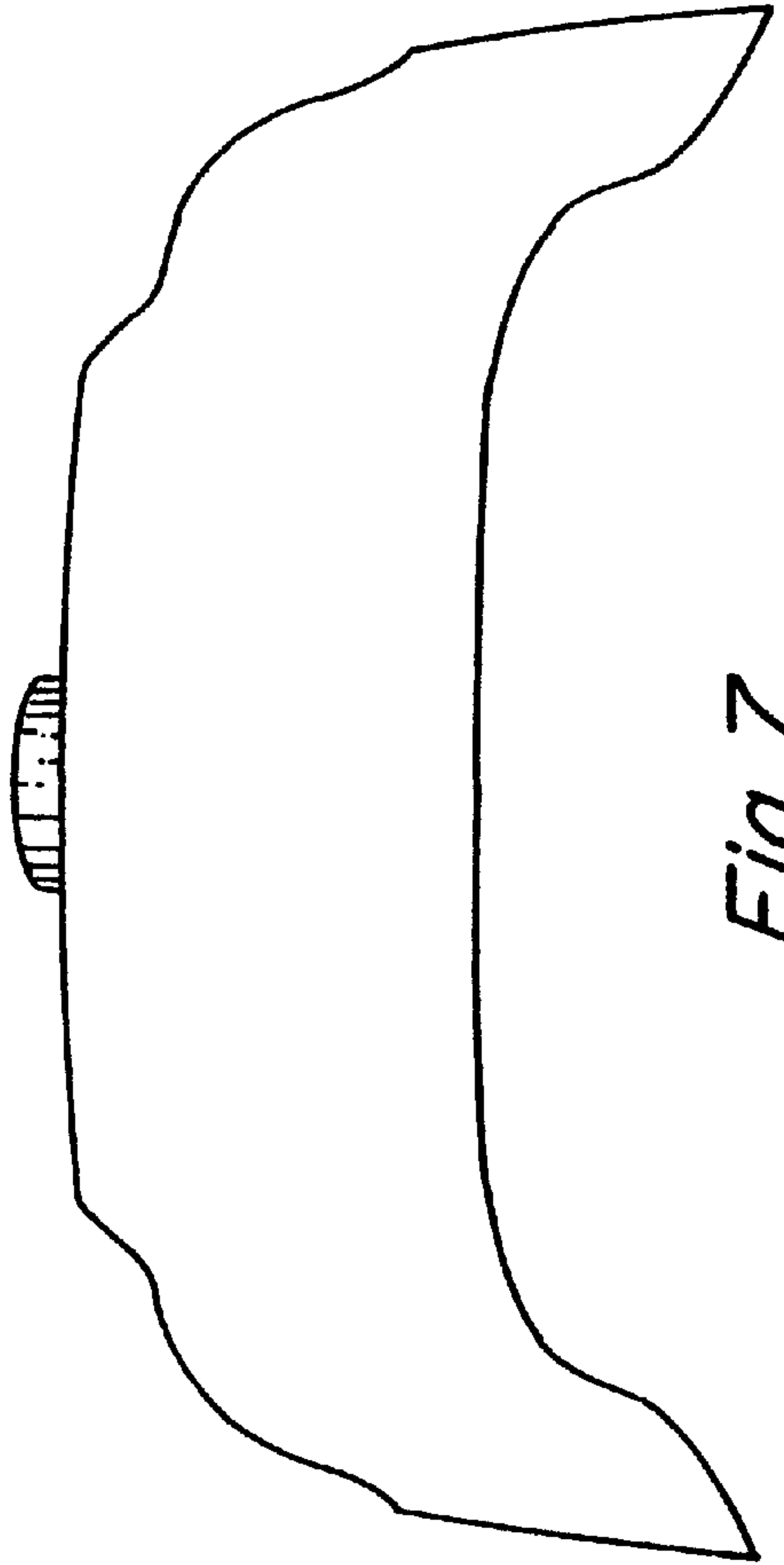


Fig. 7