



US00D471561S

(12) **United States Design Patent**  
**Kohsaka**

(10) **Patent No.:** **US D471,561 S**

(45) **Date of Patent:** **\*\* Mar. 11, 2003**

(54) **COOLANT PUMP**

(75) Inventor: **Shigeru Kohsaka**, Kanagawa (JP)

(73) Assignee: **Fuji Electric Co., Ltd.**, Kanagawa (JP)

(\*\*) Term: **14 Years**

(21) Appl. No.: **29/150,232**

(22) Filed: **Nov. 15, 2001**

(30) **Foreign Application Priority Data**

May 16, 2001 (JP) ..... 2001-014031

(51) **LOC (7) Cl.** ..... **15-02**

(52) **U.S. Cl.** ..... **D15/7**

(58) **Field of Search** ..... D15/7-9; 417/68,  
417/69, 423.1, 234, 572, 63, 540, 360,  
223.15, 224.1, 904, 423.3, 423.15; 401/146,  
197, 203-204, 218-219, 207; D23/200

(56) **References Cited**

**U.S. PATENT DOCUMENTS**

D179,746 S \* 2/1957 Sudmeier ..... D15/9  
D222,846 S \* 1/1972 Kondo ..... D15/9  
D222,847 S \* 1/1972 Kondo ..... D15/9

D273,958 S \* 5/1984 Mariol ..... D15/9  
D275,395 S \* 9/1984 Boswell ..... D15/9  
D372,251 S \* 7/1996 Bohncke ..... D15/7  
D372,719 S \* 8/1996 Jensen ..... D15/7  
D384,674 S \* 10/1997 Grolle et al. .... D15/7  
D450,327 S \* 11/2001 Mori et al. .... D15/7

\* cited by examiner

*Primary Examiner*—Ralf Seifert

(74) *Attorney, Agent, or Firm*—Sughrue Mion, PLLC

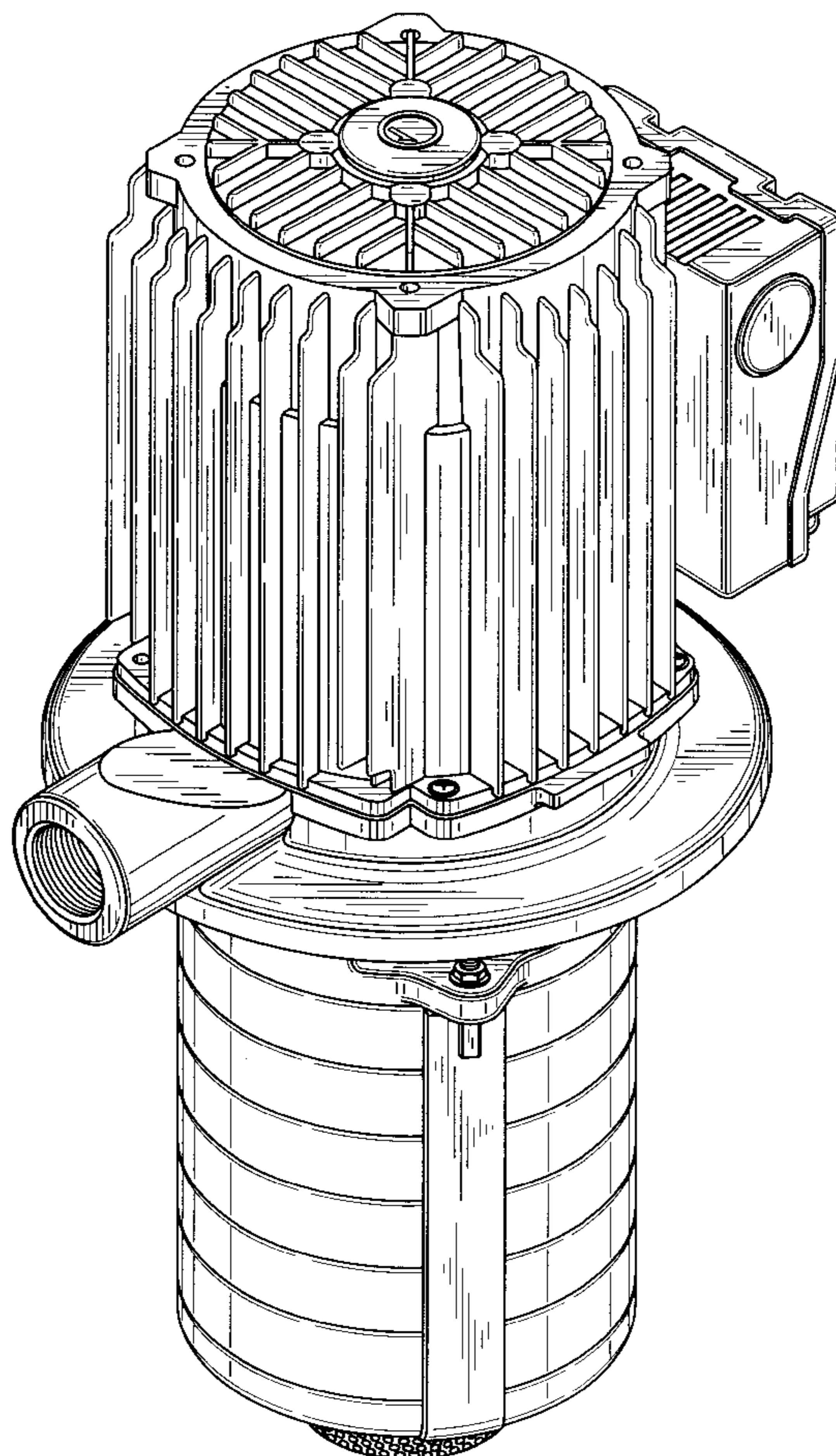
(57) **CLAIM**

The ornamental design for a coolant pump, as shown and described.

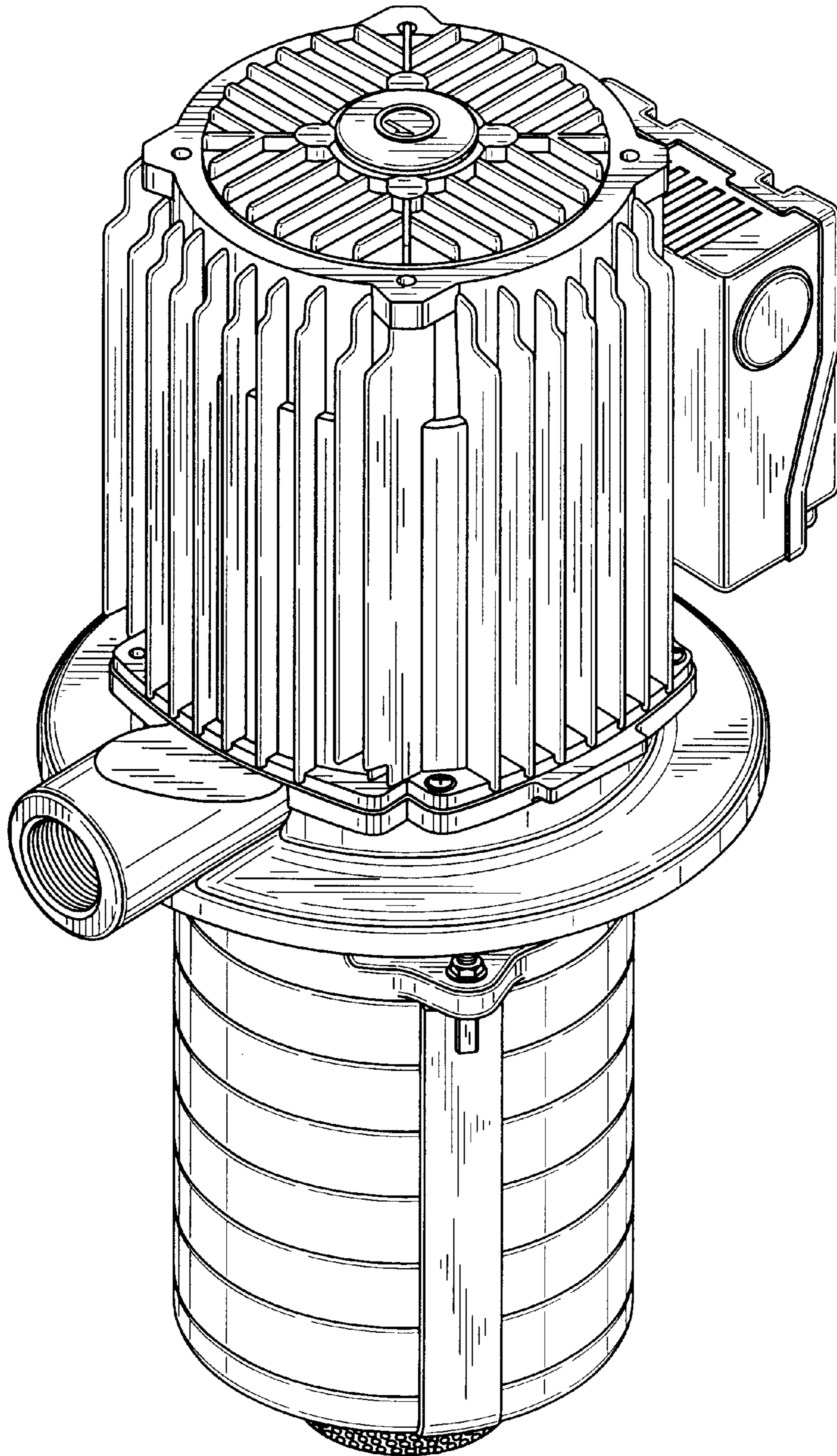
**DESCRIPTION**

FIG. 1 is a perspective view of the top, front and right side of a coolant pump showing my new design; FIG. 2 is a front elevational view thereof; FIG. 3 is a rear elevational view thereof; FIG. 4 is a left side elevational view thereof; FIG. 5 is a right side elevational view thereof; FIG. 6 is a top plan view thereof; and, FIG. 7 is a bottom plan view thereof.

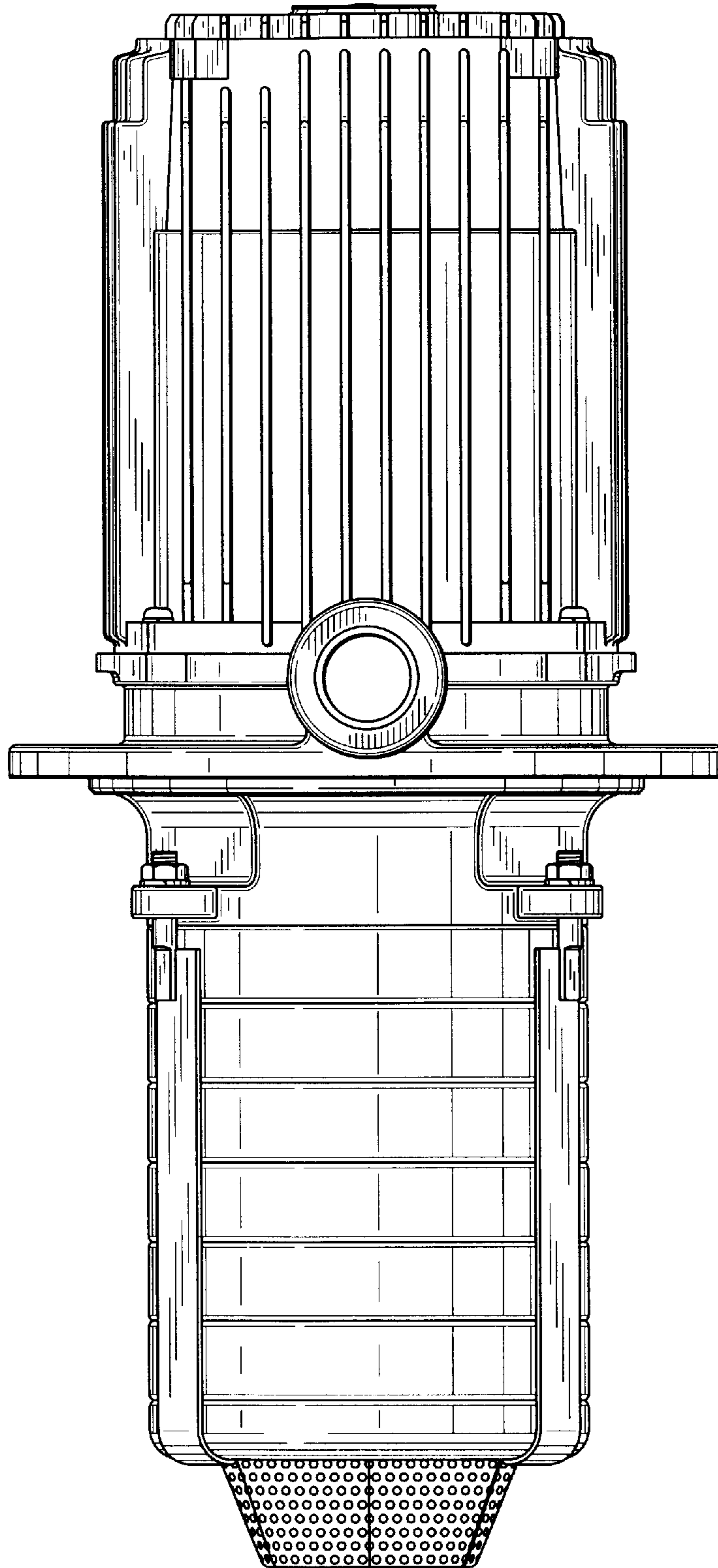
**1 Claim, 7 Drawing Sheets**



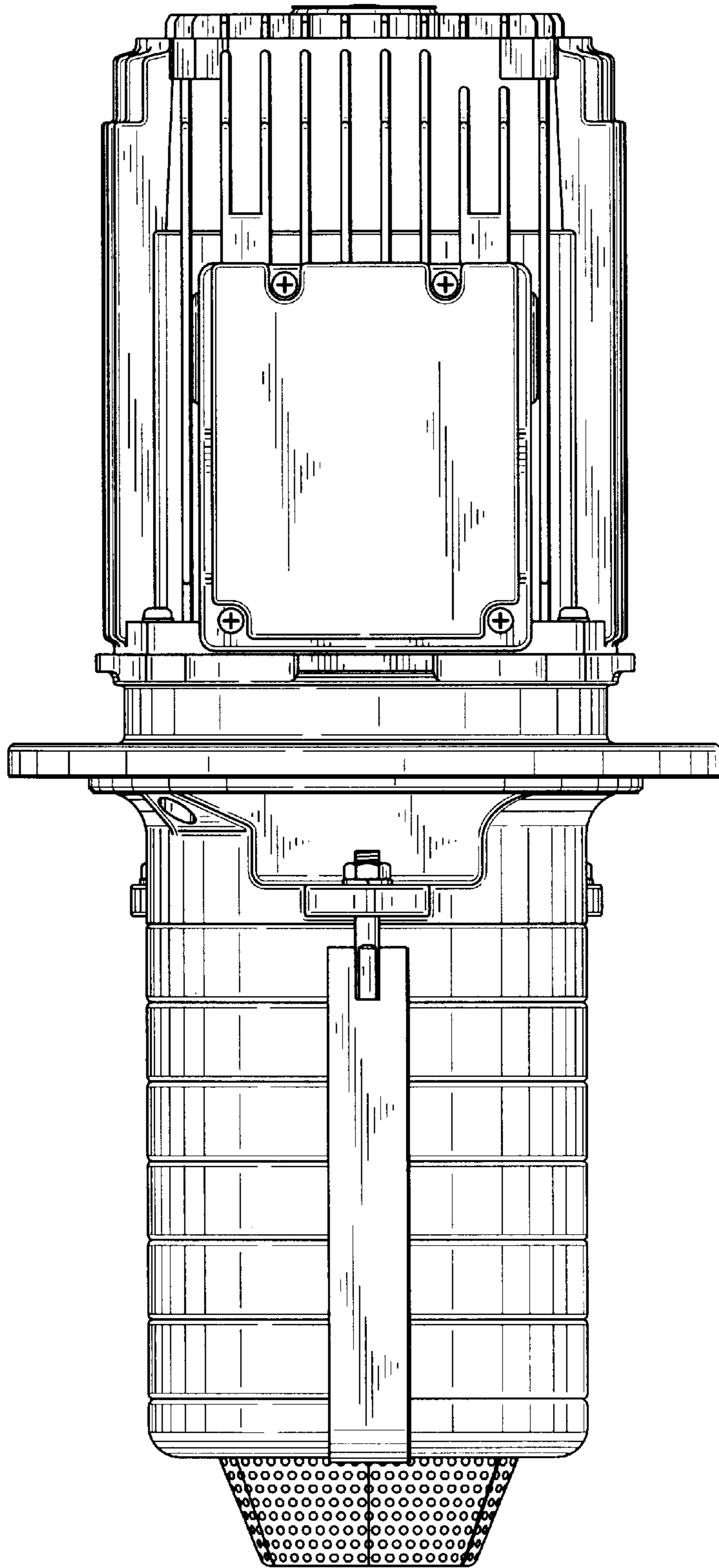
*FIG. 1*



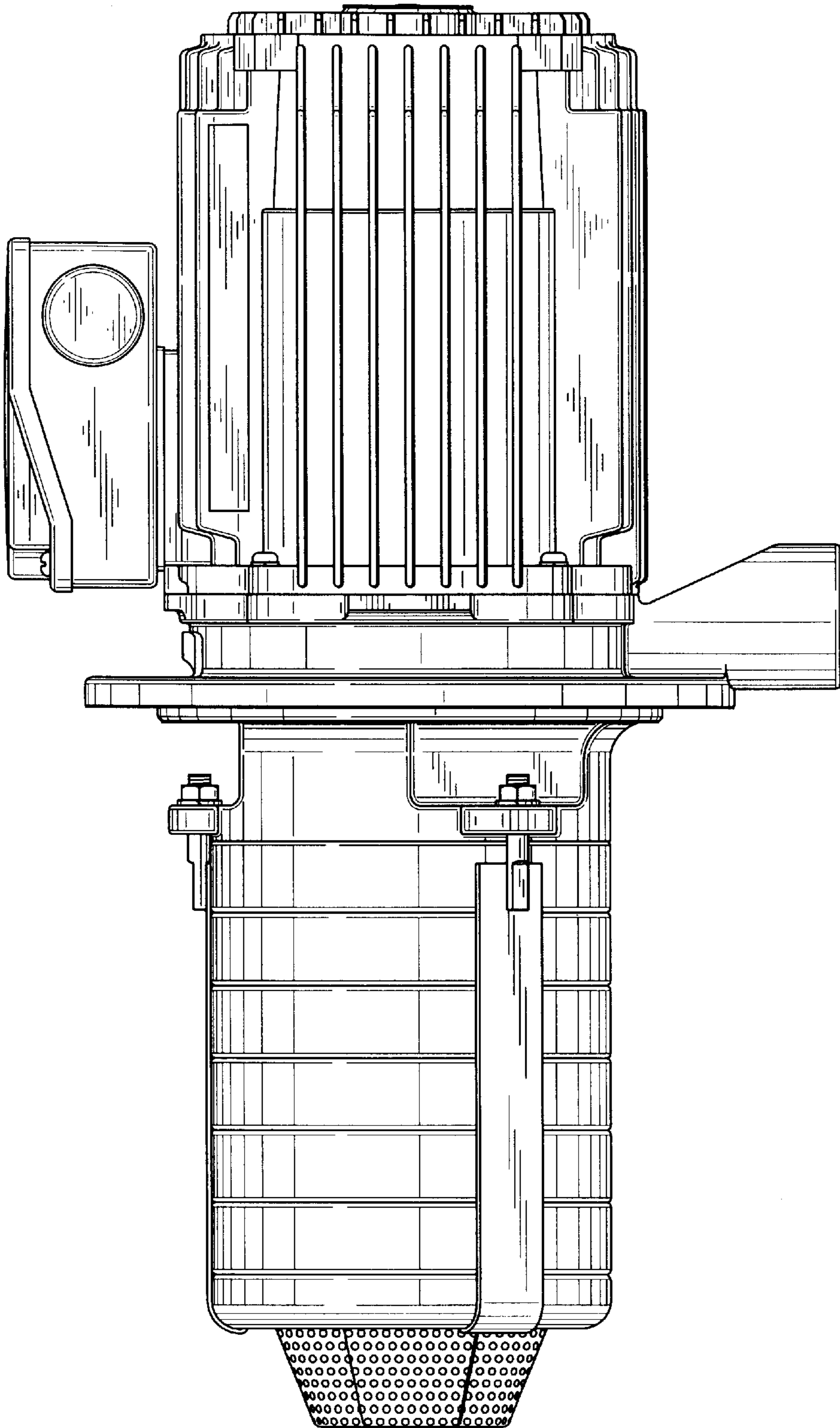
*FIG. 2*



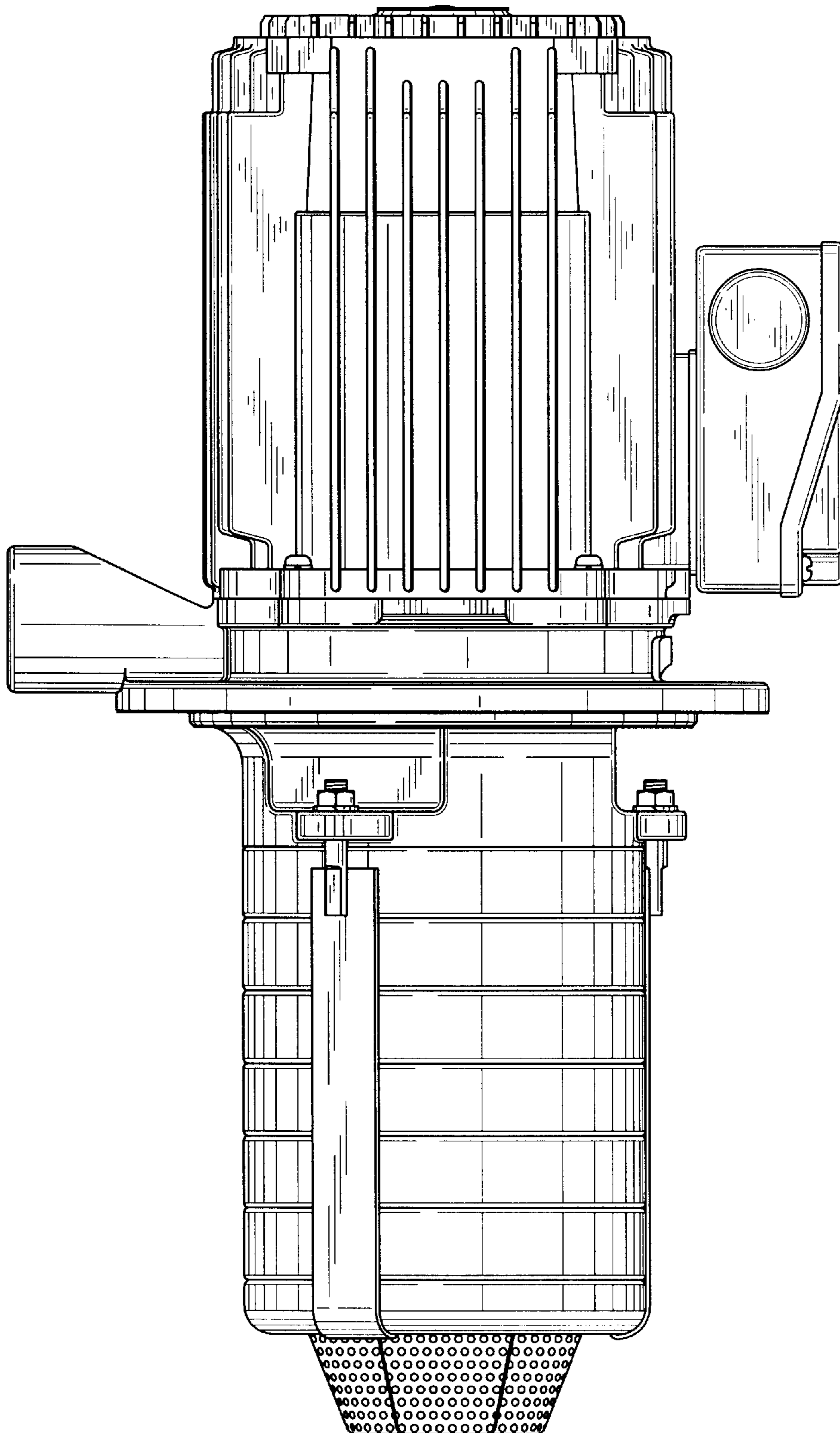
*FIG. 3*



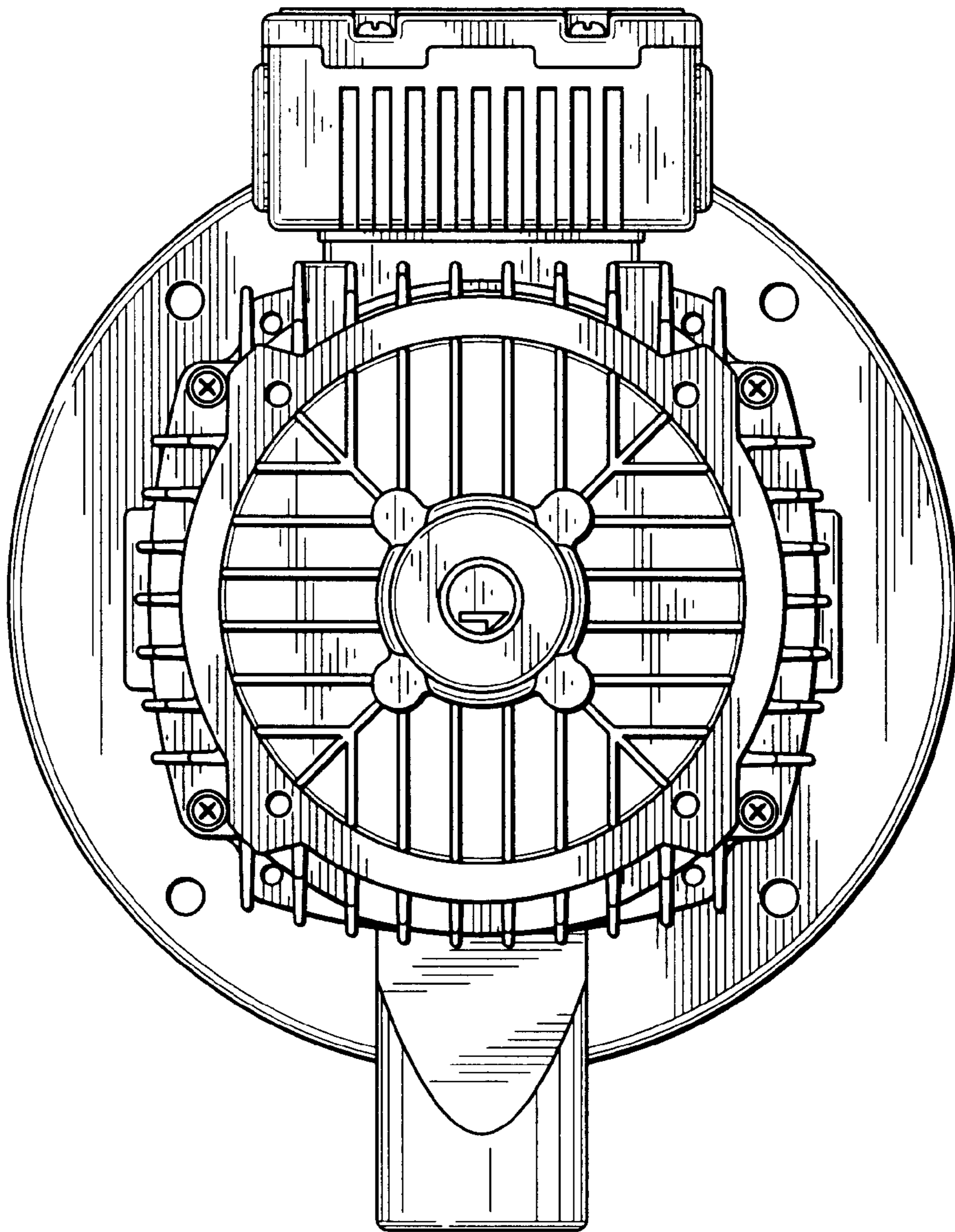
*FIG. 4*



*FIG. 5*



*FIG. 6*



*FIG. 7*

