



US00D471560S

(12) **United States Design Patent**
Davis

(10) **Patent No.:** **US D471,560 S**

(45) **Date of Patent:** **** Mar. 11, 2003**

- (54) **ENGINE STYLING SHROUD**
- (75) **Inventor:** **Steven T. Davis**, Green Bay, WI (US)
- (73) **Assignee:** **Tecumseh Products Company**,
Tecumseh, MI (US)
- (**) **Term:** **14 Years**
- (21) **Appl. No.:** **29/152,292**
- (22) **Filed:** **Dec. 13, 2001**
- (51) **LOC (7) Cl.** **15-01**
- (52) **U.S. Cl.** **D15/1**
- (58) **Field of Search** D15/1-5; 123/156 BA,
123/50 A, 306, 308, 198 E, 667; D34/15

- D406,147 S * 2/1999 Watanabe D15/1
- D414,784 S 10/1999 Maeda D15/17
- D416,265 S * 11/1999 Kato et al. D15/1
- D422,605 S 4/2000 Danthois D15/17
- D443,280 S * 6/2001 Shimizu D15/1

* cited by examiner

Primary Examiner—Melody N. Brown
(74) *Attorney, Agent, or Firm*—Baker & Daniels

(57) **CLAIM**

The ornamental design of an engine styling shroud, as shown and described.

DESCRIPTION

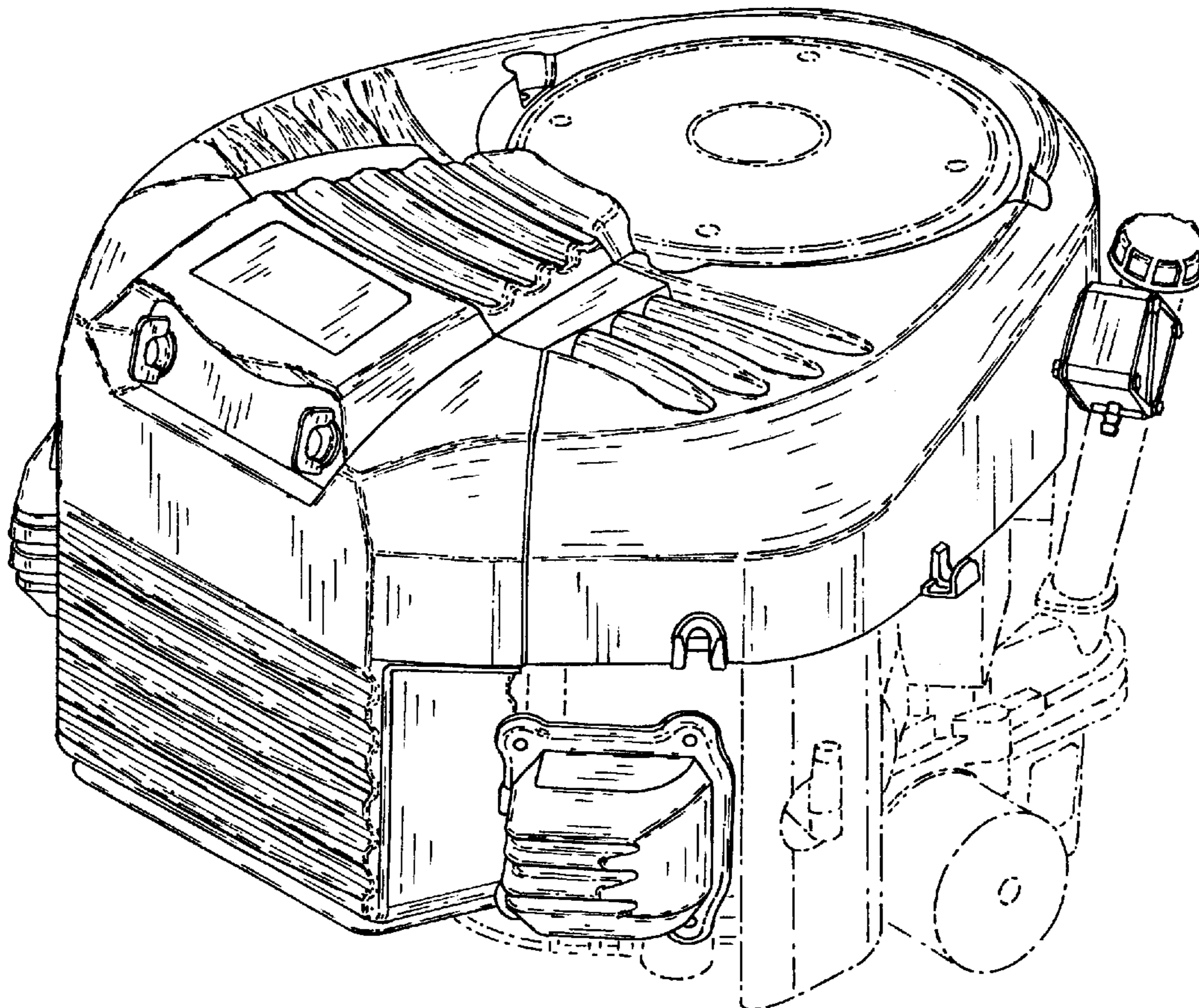
FIG. 1 is a front perspective view of an engine styling shroud showing my new design;
FIG. 2 is a rear perspective view thereof;
FIG. 3 is a front elevational view thereof;
FIG. 4 is a rear elevational view thereof;
FIG. 5 is a right side elevational view thereof;
FIG. 6 is a left side elevational thereof; and,
FIG. 7 is a top view thereof.

In the FIGURES, other engine components are shown in broken lines for illustrative purposes only, and form no part of the claimed invention.

(56) **References Cited**
U.S. PATENT DOCUMENTS

- D238,197 S 12/1975 Fernandez D15/3
- D308,871 S 6/1990 Harkness et al. D15/1
- D308,872 S 6/1990 Harkness et al. D15/1
- D343,843 S 2/1994 Mikado D15/1
- D352,042 S 11/1994 Davies, III D15/17
- D352,043 S 11/1994 Davies, III D15/17
- D392,647 S 3/1998 Ueda et al. D15/1
- D397,342 S 8/1998 Shimizu D15/5
- D398,010 S * 9/1998 Yoshida D15/1

1 Claim, 7 Drawing Sheets



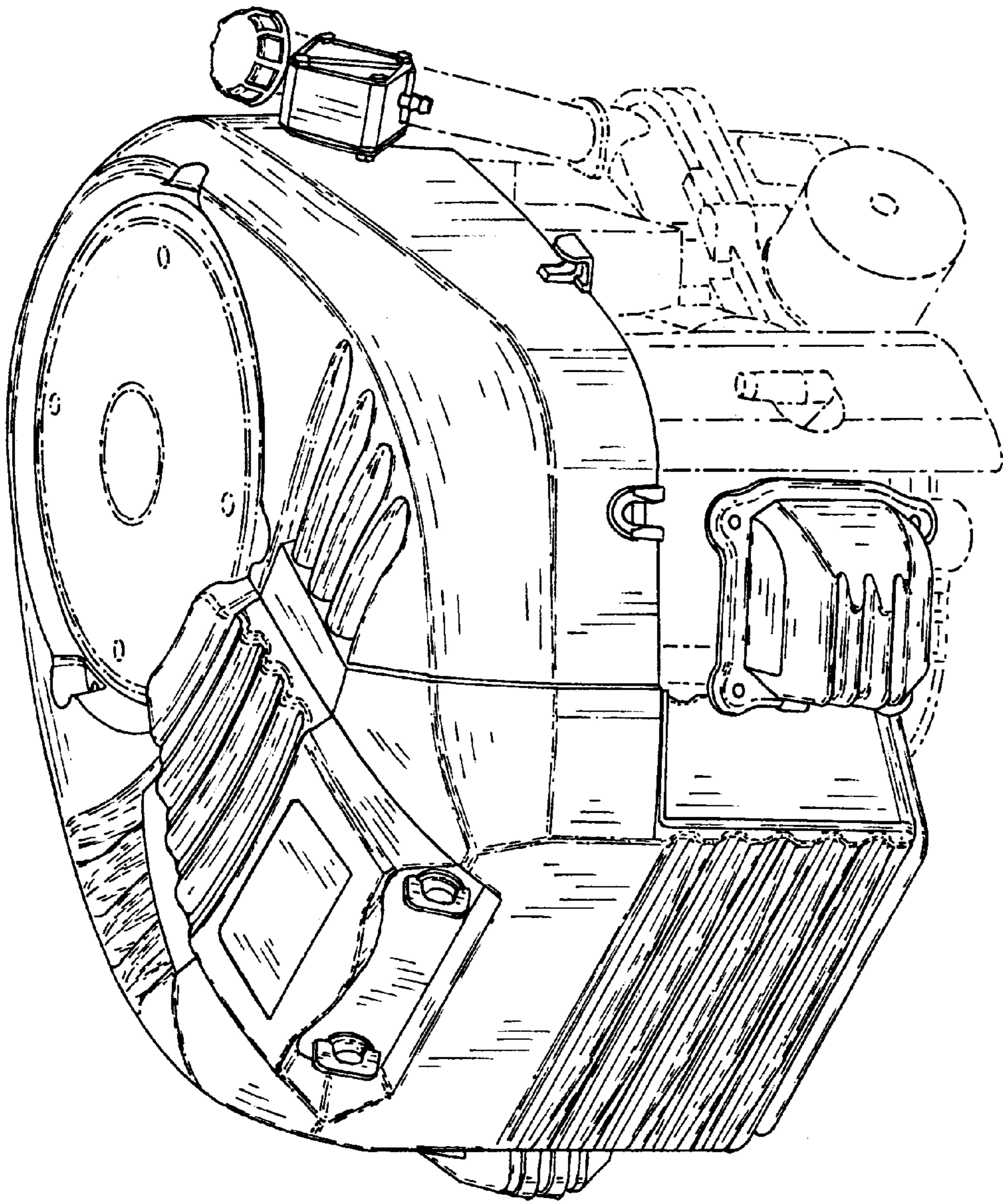


FIG. 1

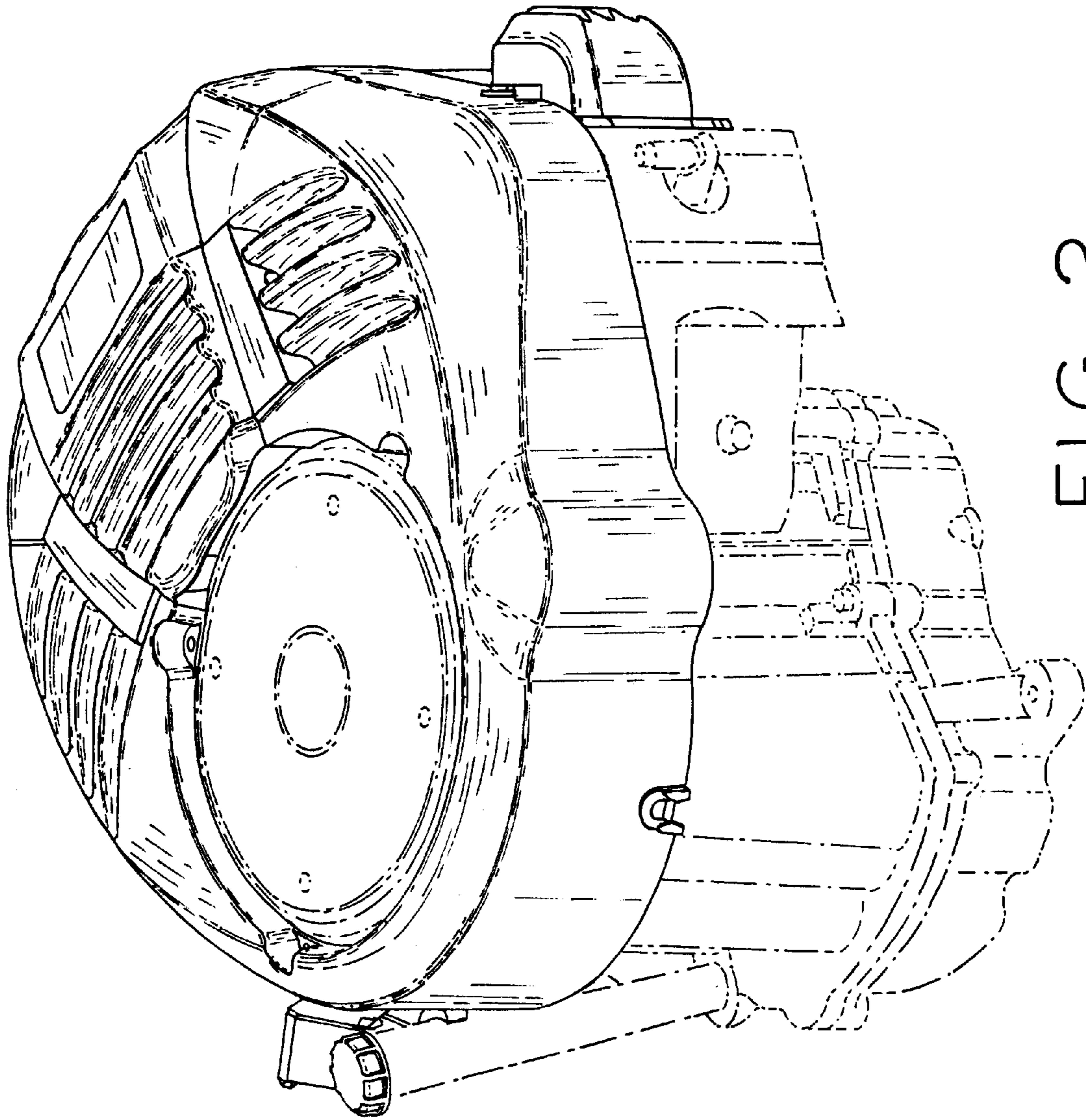


FIG. 2

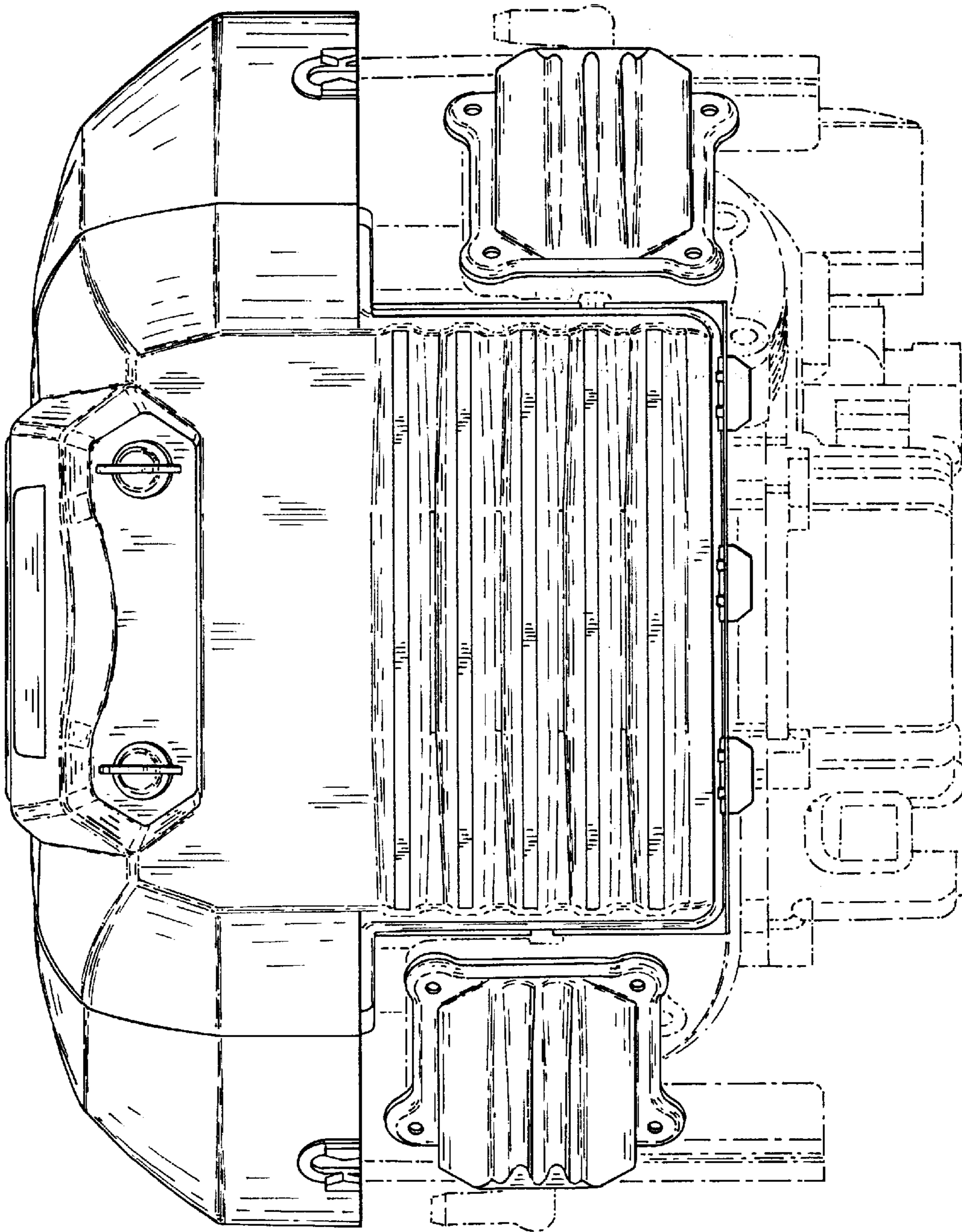


FIG. 3

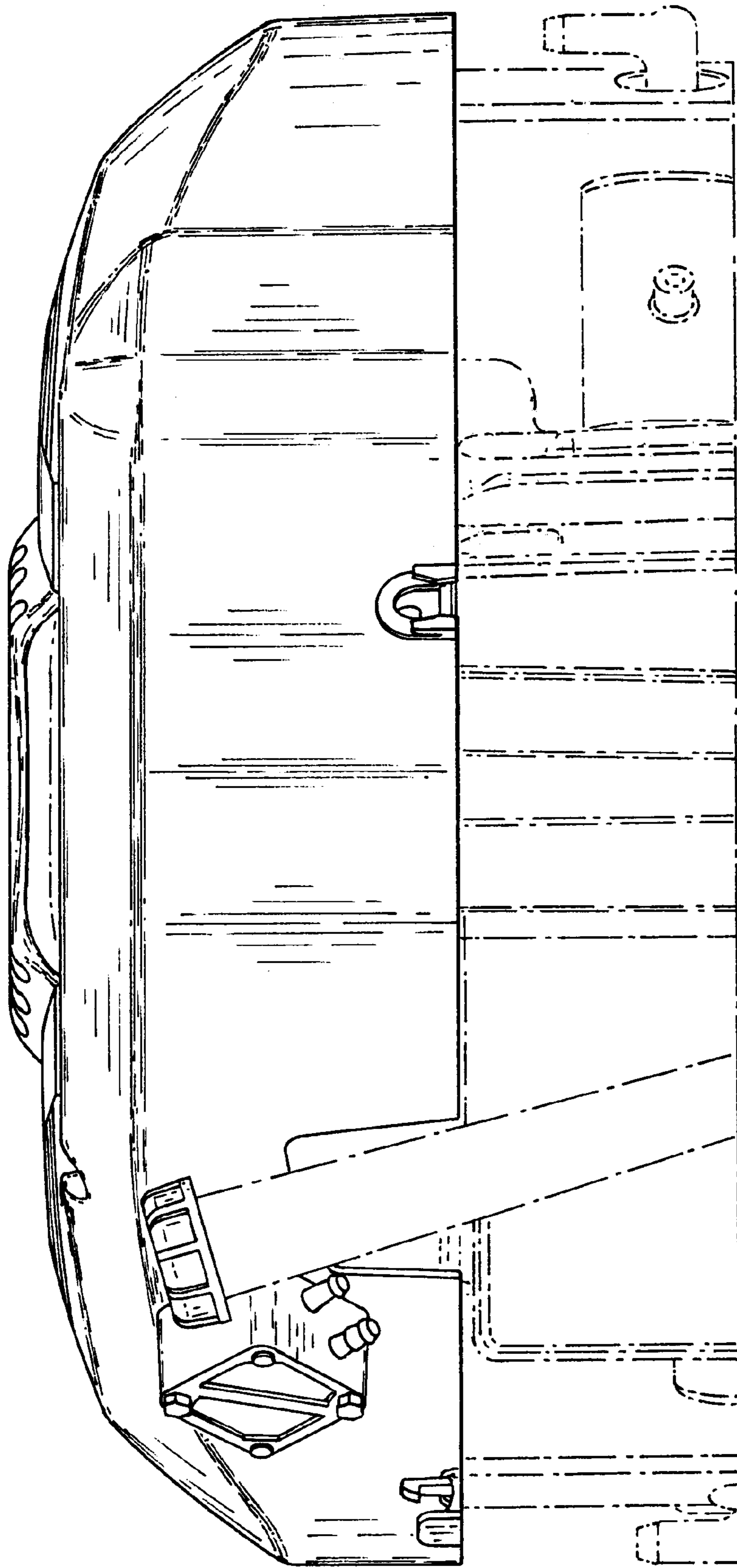


FIG. 4

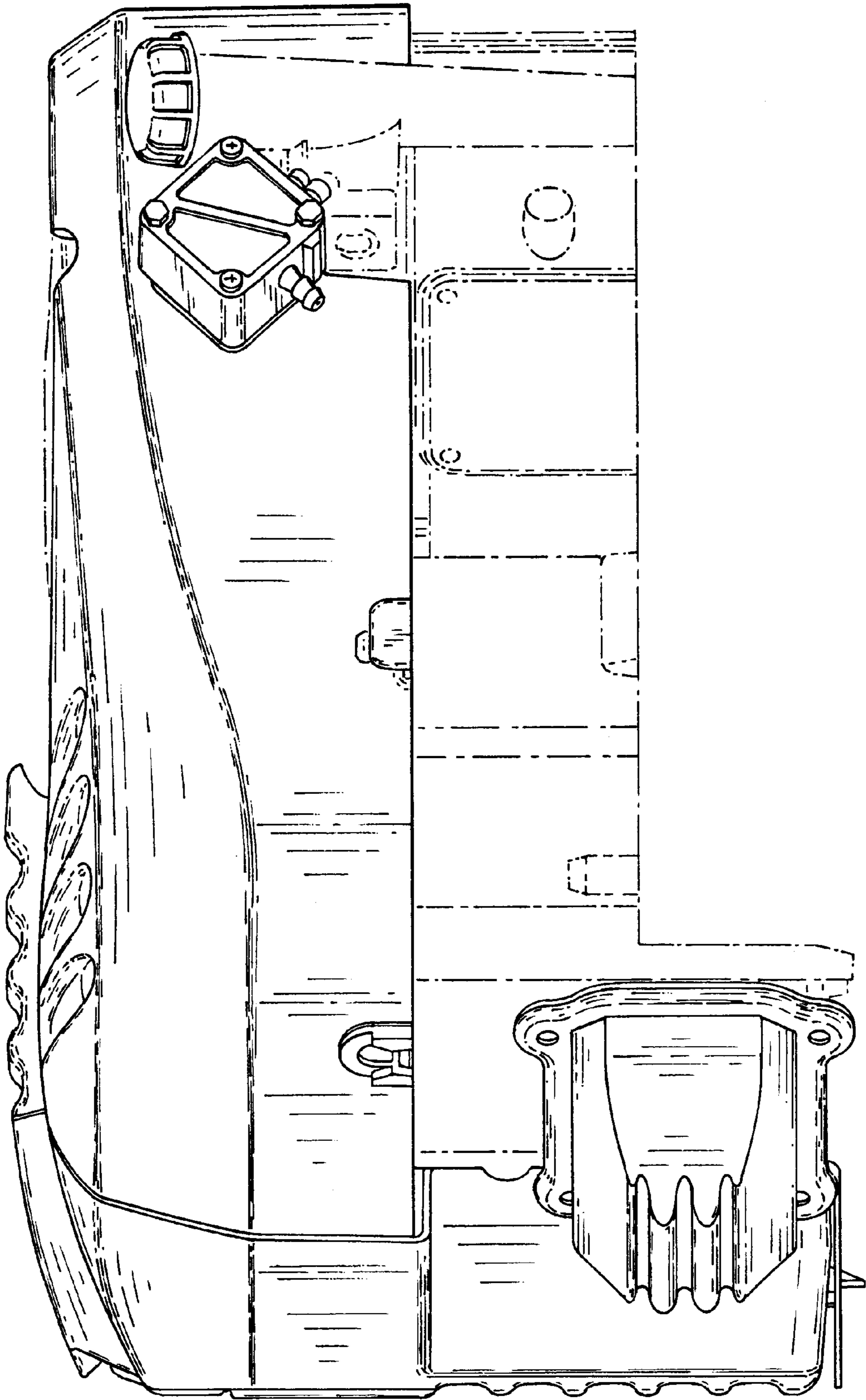


FIG. 5

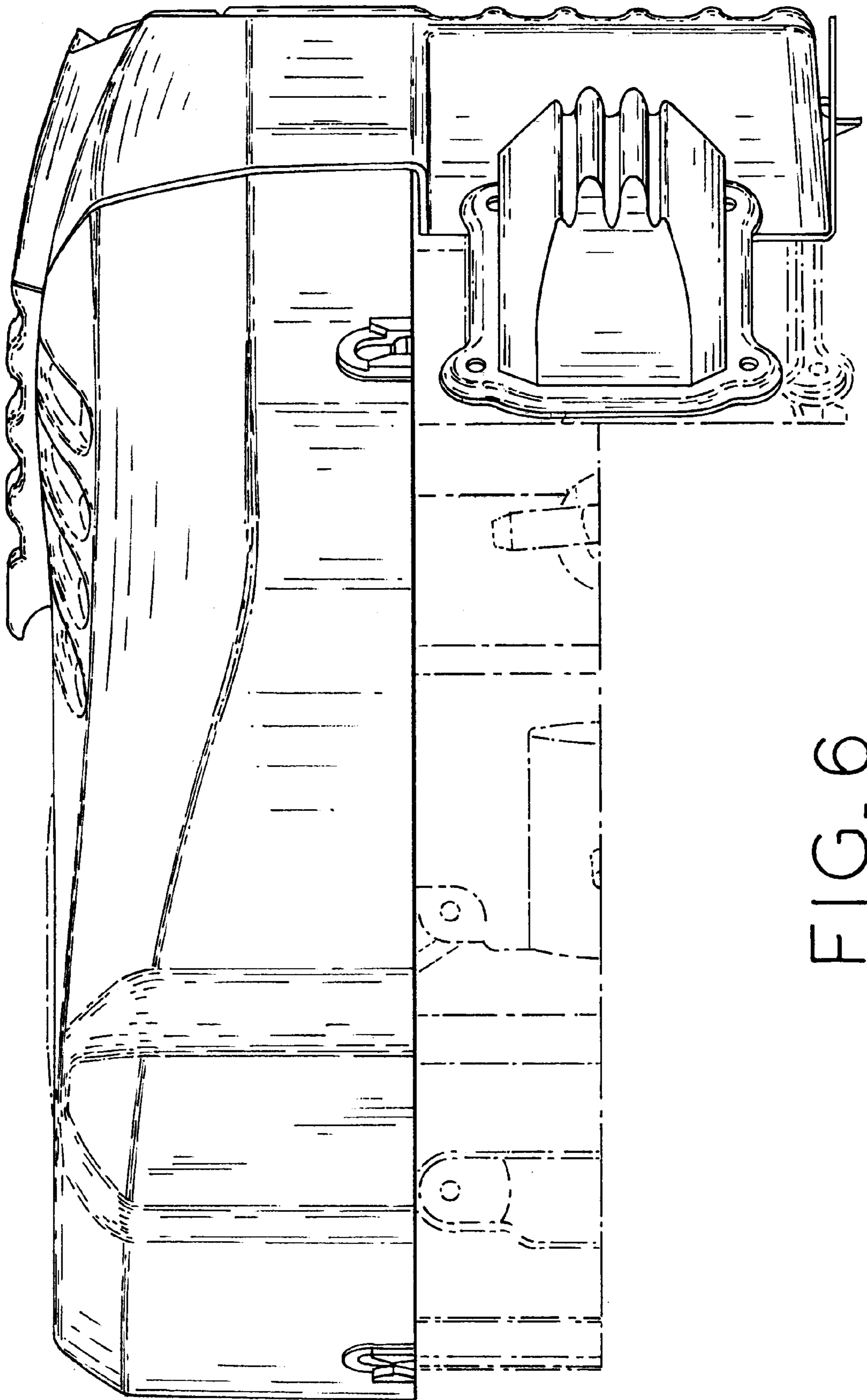


FIG. 6

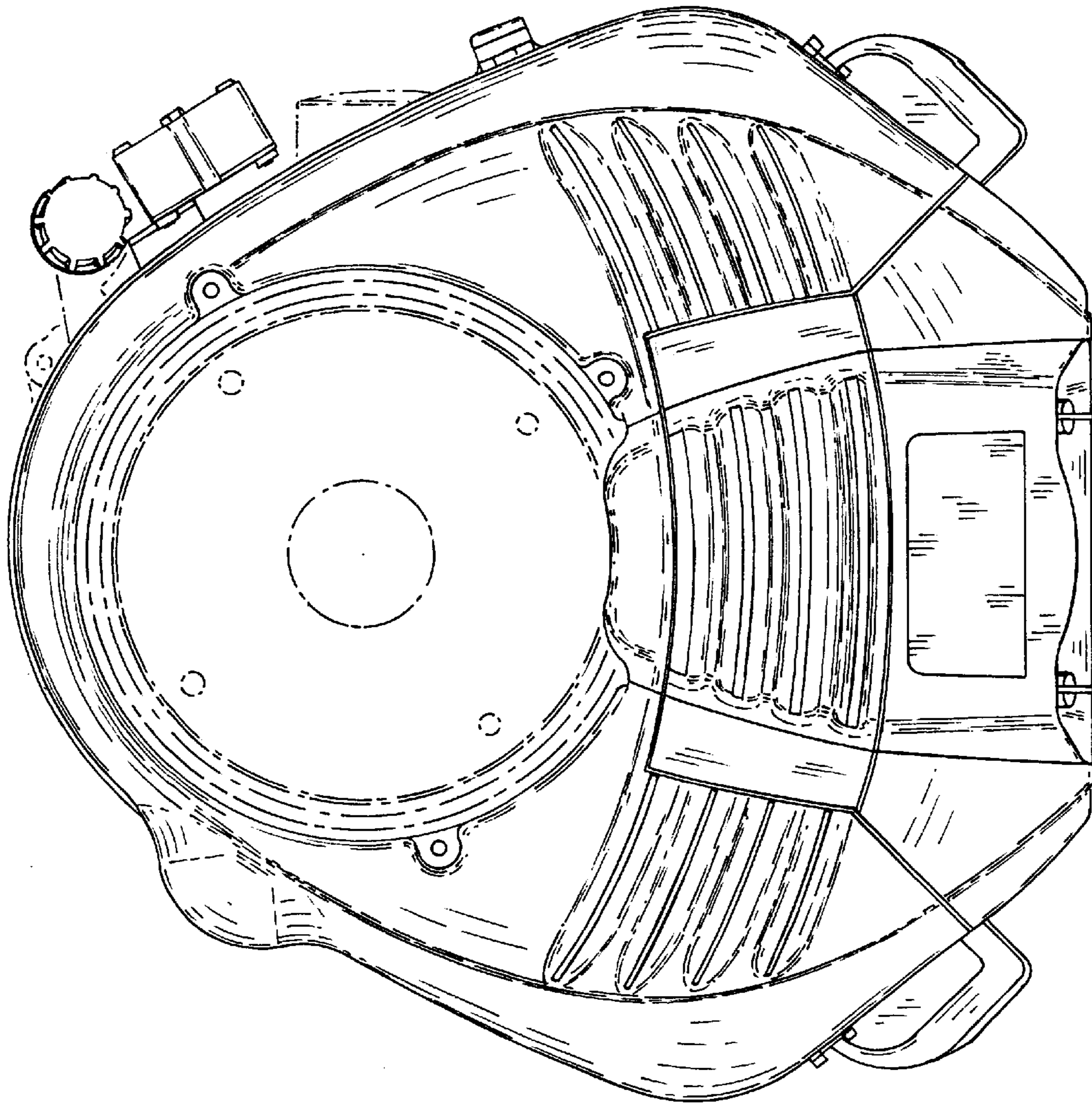


FIG. 7