



US00D471557S

(12) **United States Design Patent**  
**Toshiharu**

(10) **Patent No.:** **US D471,557 S**

(45) **Date of Patent:** **\*\* Mar. 11, 2003**

(54) **MULTIDIRECTIONAL INPUT APPARATUS**

(75) **Inventor:** **Miyoshi Toshiharu, Higashiosaka (JP)**

(73) **Assignee:** **Hosiden Corporation, Yao (JP)**

(\*\*) **Term:** **14 Years**

(21) **Appl. No.:** **29/148,800**

(22) **Filed:** **Sep. 28, 2001**

(30) **Foreign Application Priority Data**

Mar. 28, 2001 (JP) ..... 2001-012956

(51) **LOC (7) Cl.** ..... **14-02**

(52) **U.S. Cl.** ..... **D14/412**

(58) **Field of Search** ..... D14/400, 401-414;  
273/148 B; 463/1, 36-38, 46, 47; 345/156,  
161

(56) **References Cited**

**U.S. PATENT DOCUMENTS**

- D278,919 S \* 5/1985 Kim ..... D14/413
- 5,868,620 A \* 2/1999 Wada et al. .... 463/38
- D413,591 S \* 9/1999 Menze ..... D14/413
- 5,995,034 A \* 11/1999 Liu ..... 463/38

- D441,370 S \* 5/2001 Alviar ..... D14/413
- 6,259,433 B1 \* 7/2001 Meyers ..... 463/38
- 6,275,139 B1 \* 8/2001 Shimomura et al. .... 273/148 B
- 6,331,849 B1 \* 12/2001 Vandenoorn ..... 345/161
- 6,353,431 B1 \* 3/2002 Poole et al. .... 345/161
- 6,362,810 B1 \* 3/2002 Matsuda ..... 345/161

\* cited by examiner

*Primary Examiner*—Prabhakar Deshmukh

(74) *Attorney, Agent, or Firm*—Armstrong Westerman & Hattori, LLP

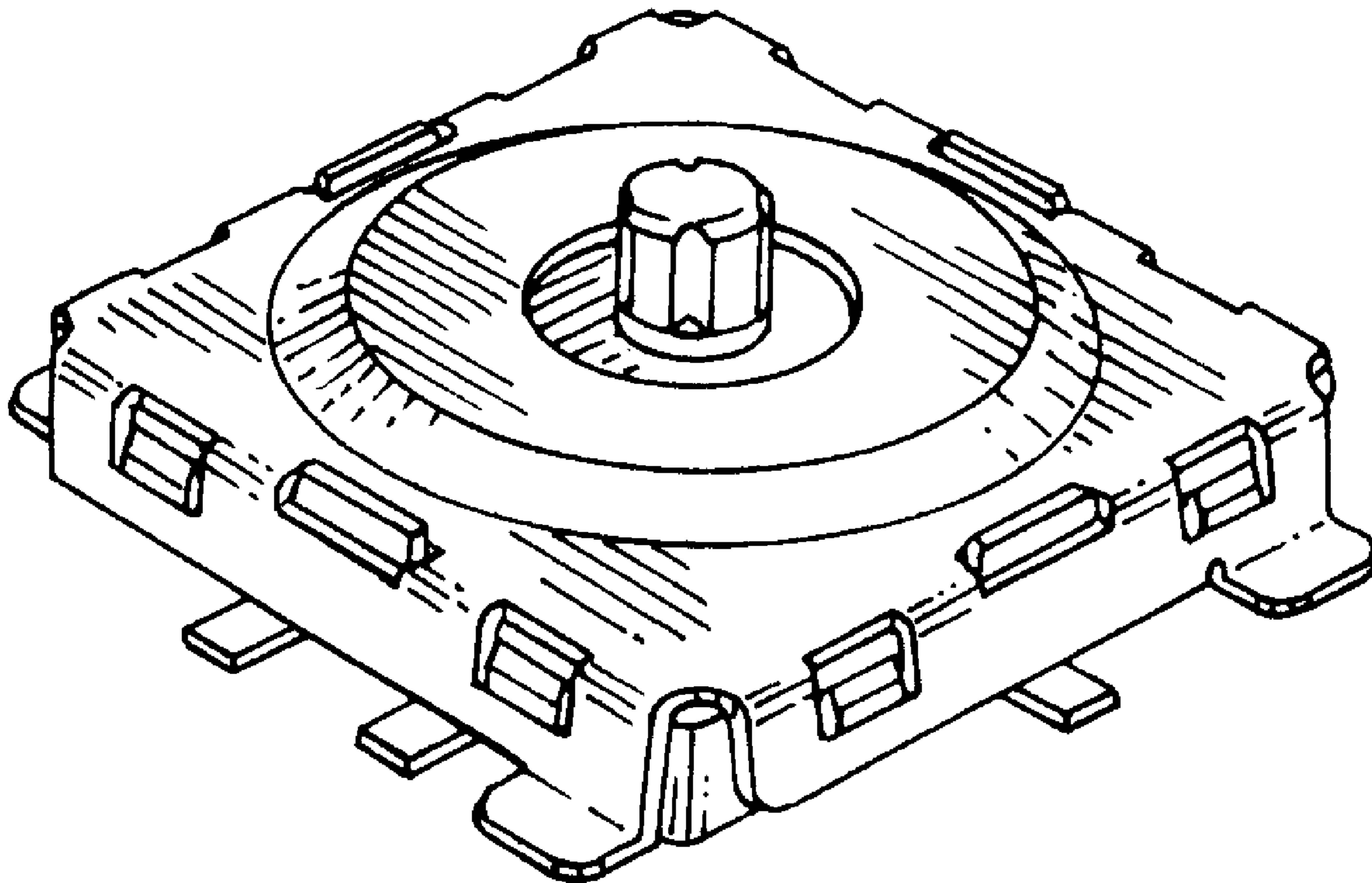
(57) **CLAIM**

The ornamental design for a multidirectional input apparatus, as shown and described.

**DESCRIPTION**

- FIG. 1 is a top plan view showing the multidirectional input apparatus;
- FIG. 2 is a bottom plan view of the apparatus;
- FIG. 3 is a front view of the apparatus;
- FIG. 4 is a rear view of the apparatus;
- FIG. 5 is a right side view of the apparatus;
- FIG. 6 is a left side view of the apparatus; and,
- FIG. 7 is a perspective view of the apparatus.

**1 Claim, 4 Drawing Sheets**



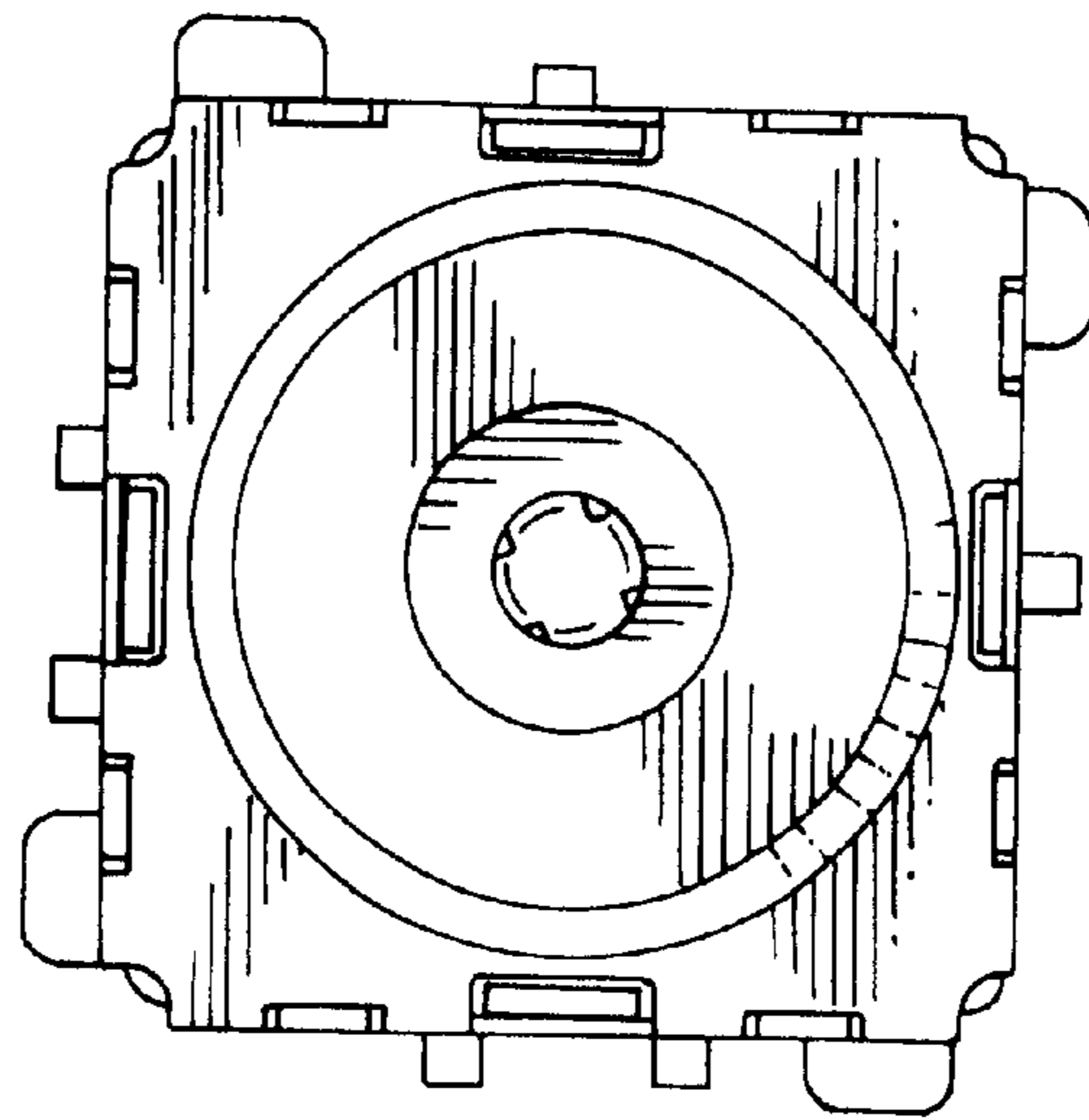


Fig. 1

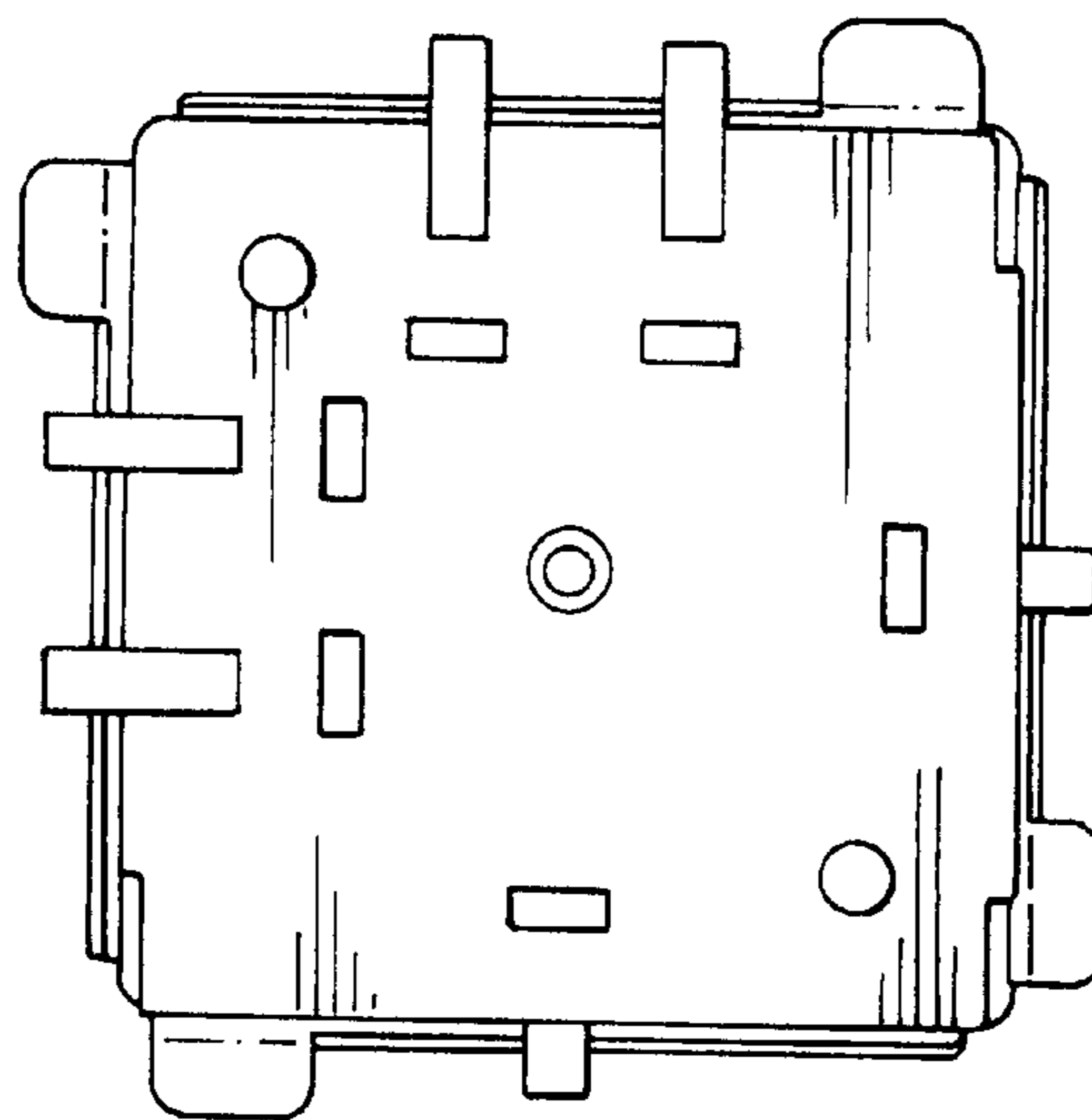


Fig. 2

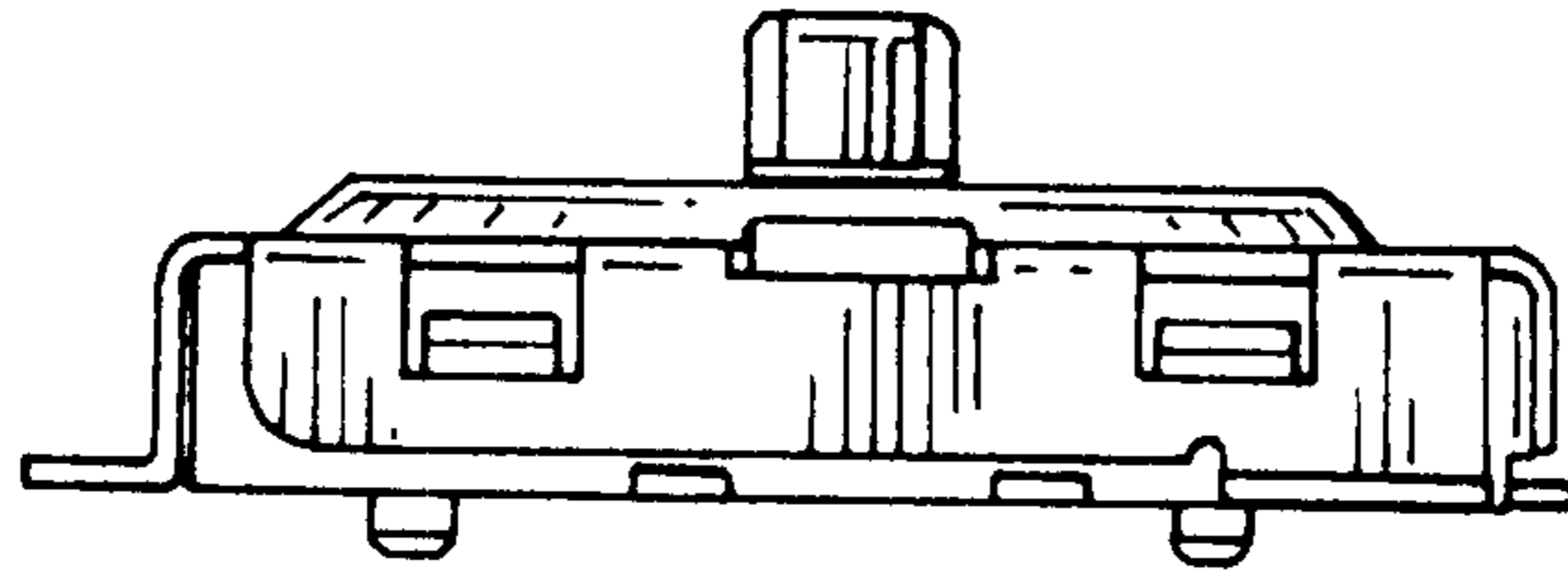


Fig. 3

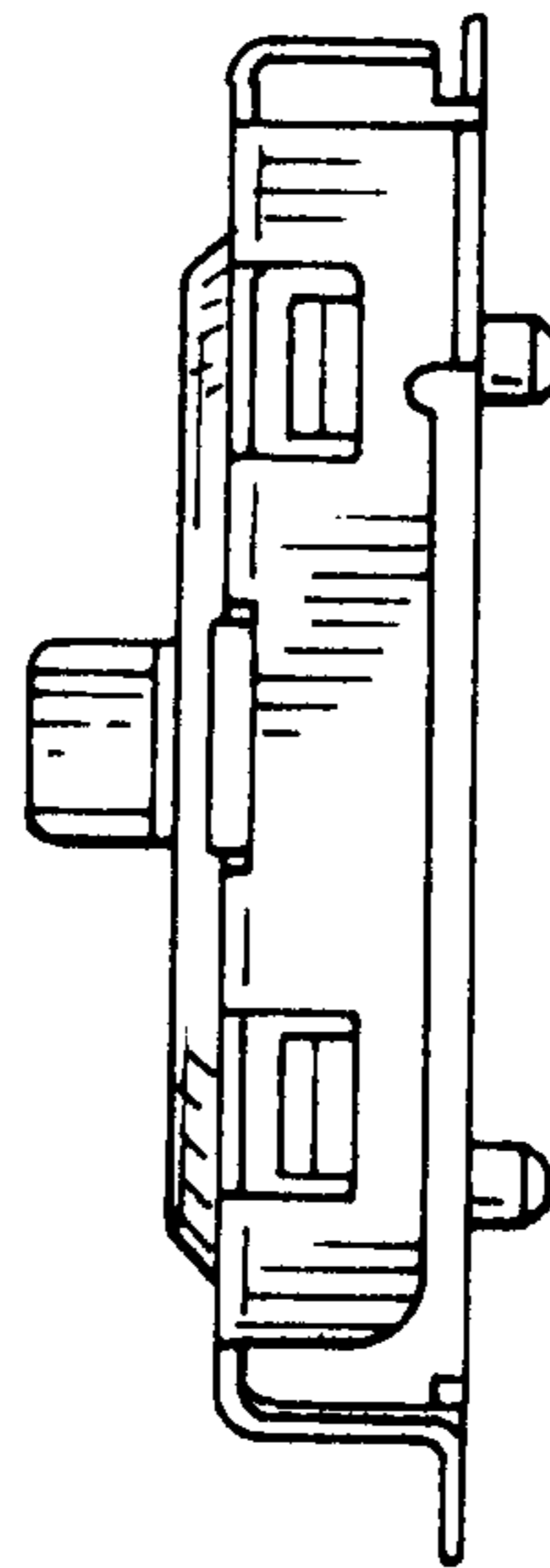


Fig. 4

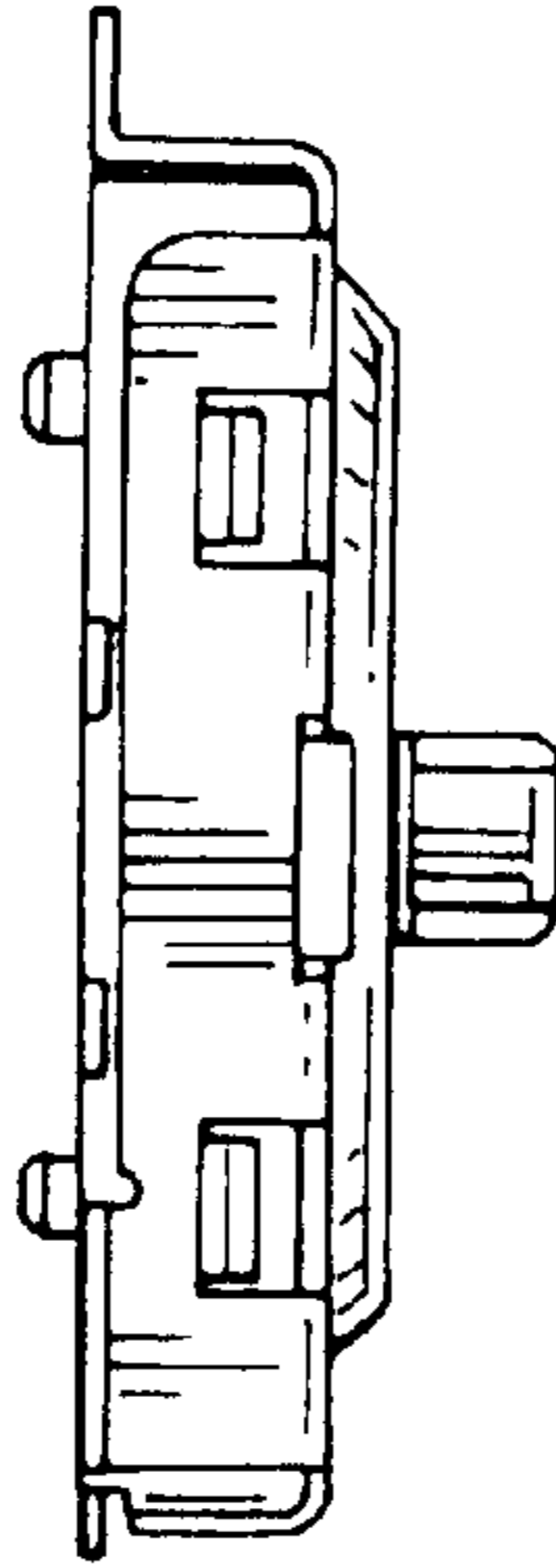


Fig. 5

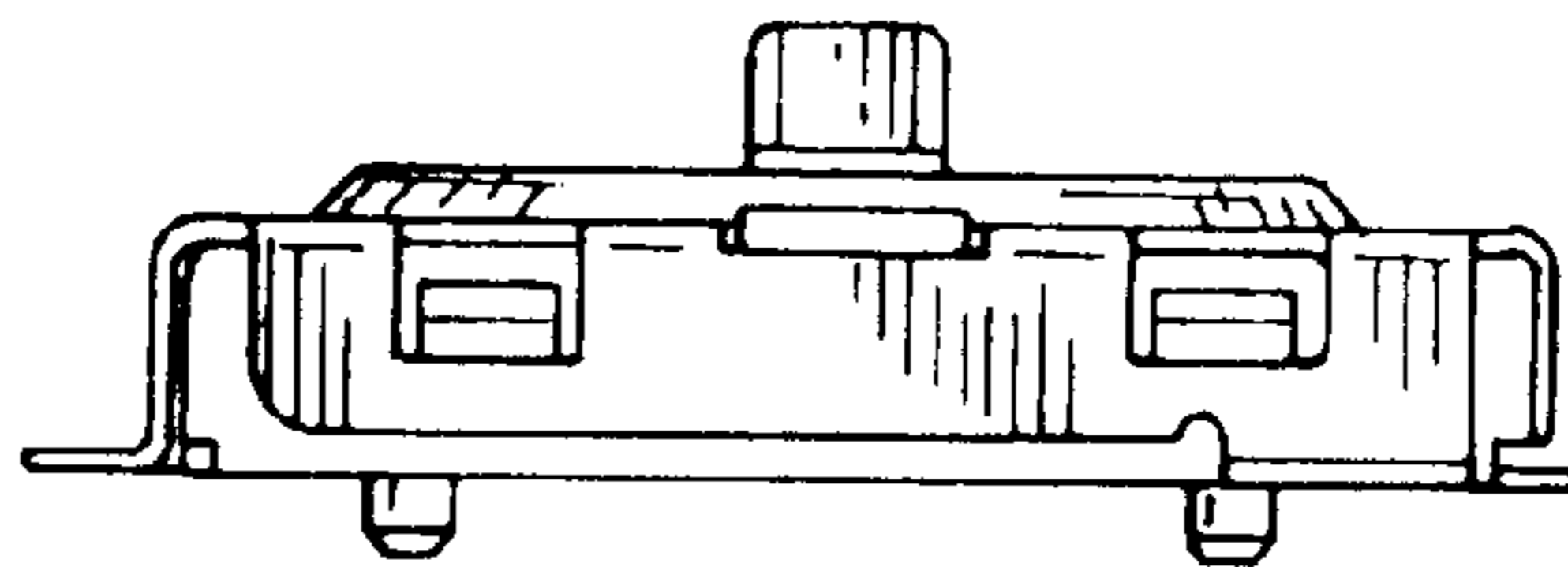


Fig. 6

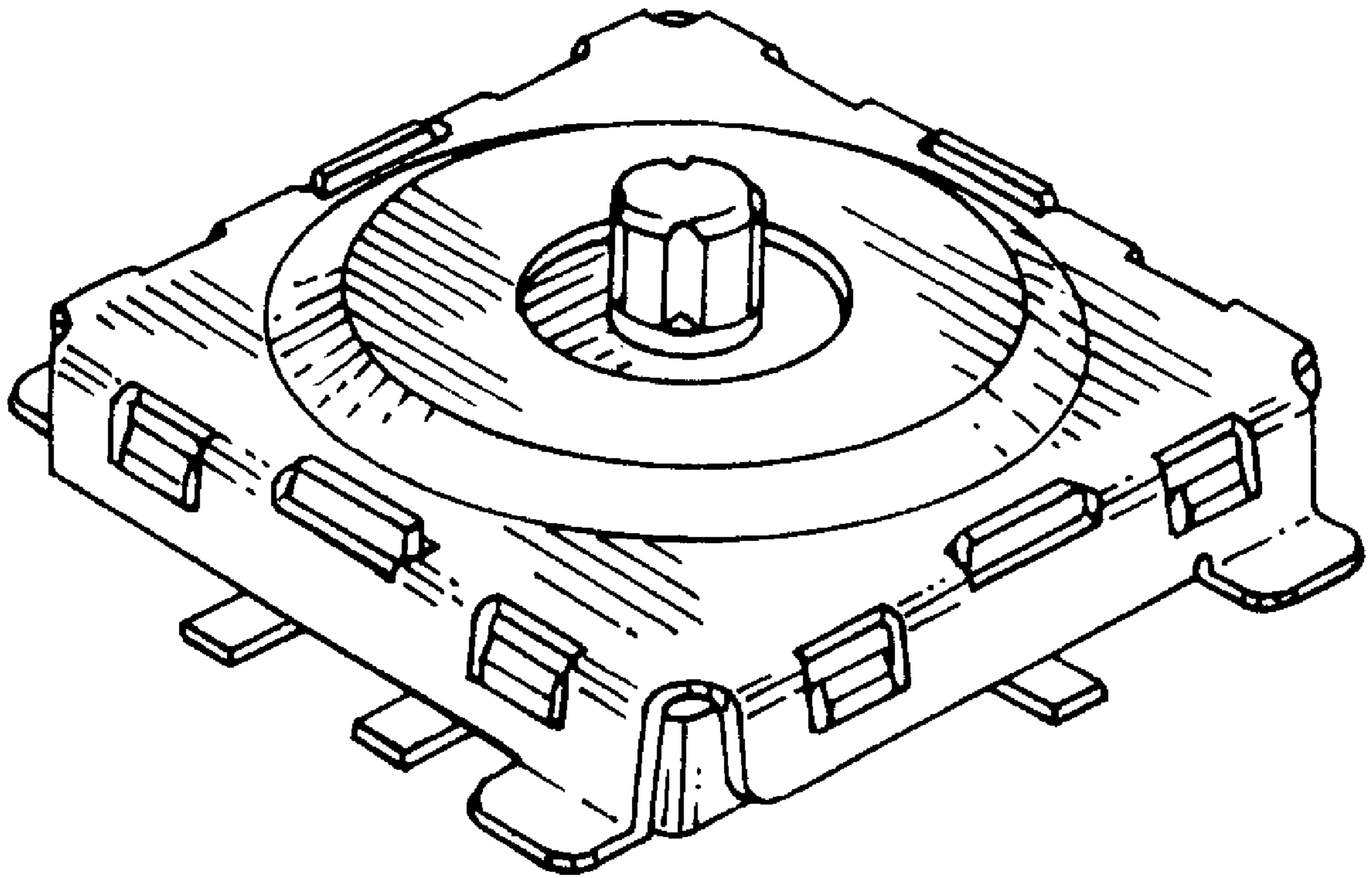


Fig. 7