



US00D471548S

(12) **United States Design Patent**
Zheng

(10) **Patent No.:** **US D471,548 S**

(45) **Date of Patent:** **** Mar. 11, 2003**

(54) **MOBILE PHONE HOLDER**

(75) Inventor: **Bo Zheng**, Kowloon (HK)

(73) Assignee: **Hopestar Electronics Ltd.**, Kowloon (CN)

(**) Term: **14 Years**

(21) Appl. No.: **29/163,933**

(22) Filed: **Jul. 15, 2002**

(51) **LOC (7) Cl.** **14-03**

(52) **U.S. Cl.** **D14/253**

(58) **Field of Search** D14/137, 434,
D14/138, 447, 148, 147, 149-151, 140-142,
240, 241, 251, 253, 252, 451; 379/426,
449, 419, 420.01-420.04, 428.01-428.04,
440, 454, 455, 446; D19/75, 37; 455/550-575,
90; D13/107, 108, 110; 320/110, 113, 114,
115

(56) **References Cited**

U.S. PATENT DOCUMENTS

D227,117 S	*	6/1973	Breger	D14/251
D234,851 S	*	4/1975	Tyson et al.	D14/149
4,406,928 A	*	9/1983	MacKenzie	379/454
5,028,859 A	*	7/1991	Johnson et al.	320/15
D320,991 S	*	10/1991	Nagai et al.	D14/251
5,052,943 A	*	10/1991	Davis	439/357
D323,504 S	*	1/1992	Langton	D14/142
D335,861 S	*	5/1993	Tattari	D13/108
D339,809 S	*	9/1993	Ron	D14/253
5,256,955 A	*	10/1993	Tomura et al.	320/2
D344,708 S	*	3/1994	Ho	D13/108
D353,371 S	*	12/1994	Delhaes	D14/149
5,392,350 A	*	2/1995	Swanson	379/446
D363,284 S	*	10/1995	Solomita	D14/149
D386,495 S	*	11/1997	Schmoll	D14/149
D388,434 S	*	12/1997	Lepack	D14/149

D402,666 S	*	12/1998	Golder	D14/253
D412,162 S	*	7/1999	Tal et al.	D14/447
D414,180 S	*	9/1999	Waldner	D14/149
D414,490 S	*	9/1999	Heinen et al.	D14/148
D434,372 S	*	11/2000	Buchin et al.	D13/108
6,193,546 B1	*	2/2001	Sadler	439/534
D442,141 S	*	5/2001	Ikenaga	D13/107
D454,131 S	*	3/2002	Lord	D14/434
D454,561 S	*	3/2002	Hollinger	D14/253
D461,461 S	*	8/2002	Adamson et al.	D14/147
6,438,229 B1	*	8/2002	Overy et al.	379/446

* cited by examiner

Primary Examiner—Jeffrey Asch

(74) *Attorney, Agent, or Firm*—Alix, Yale & Ristas, LLP

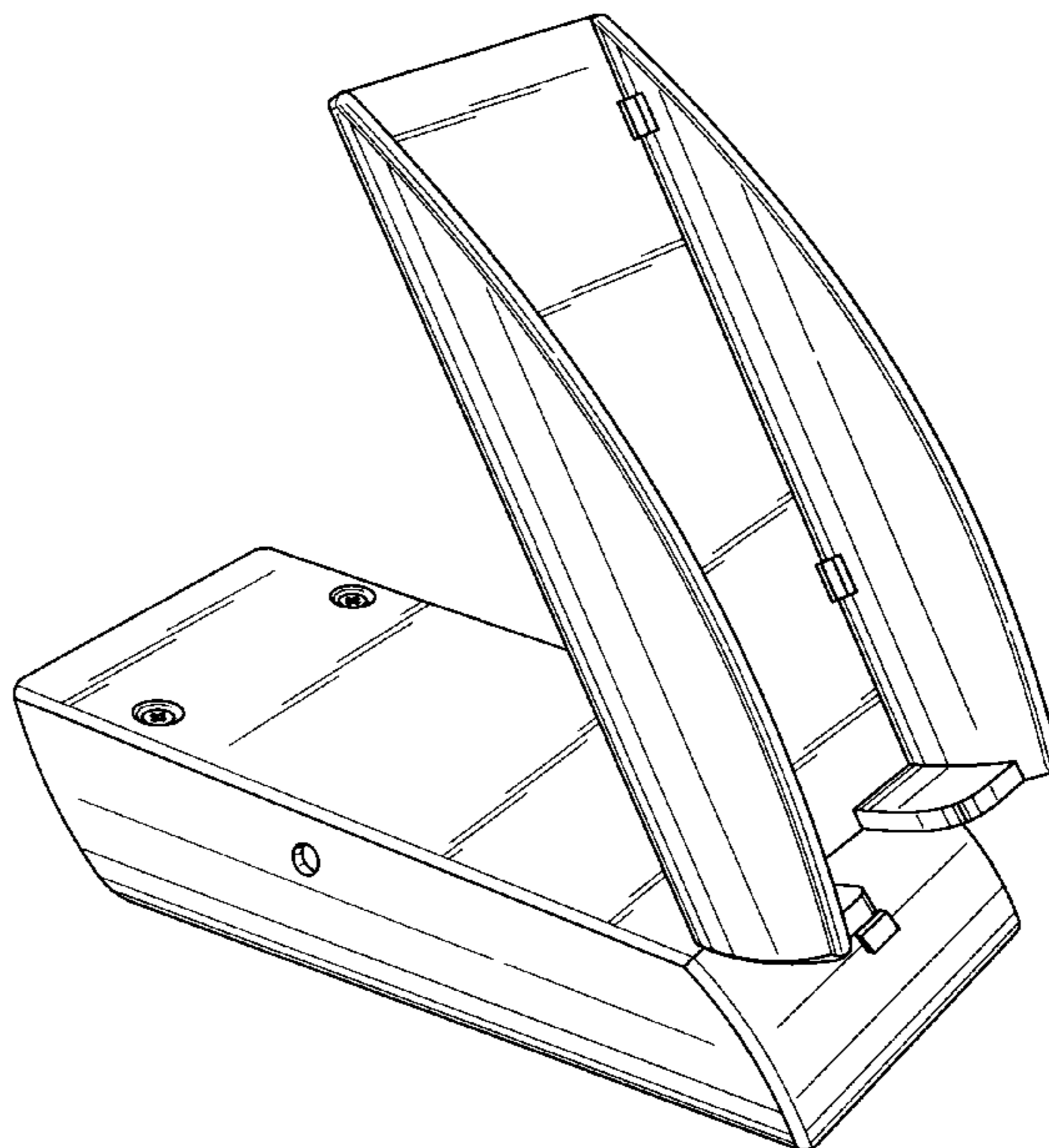
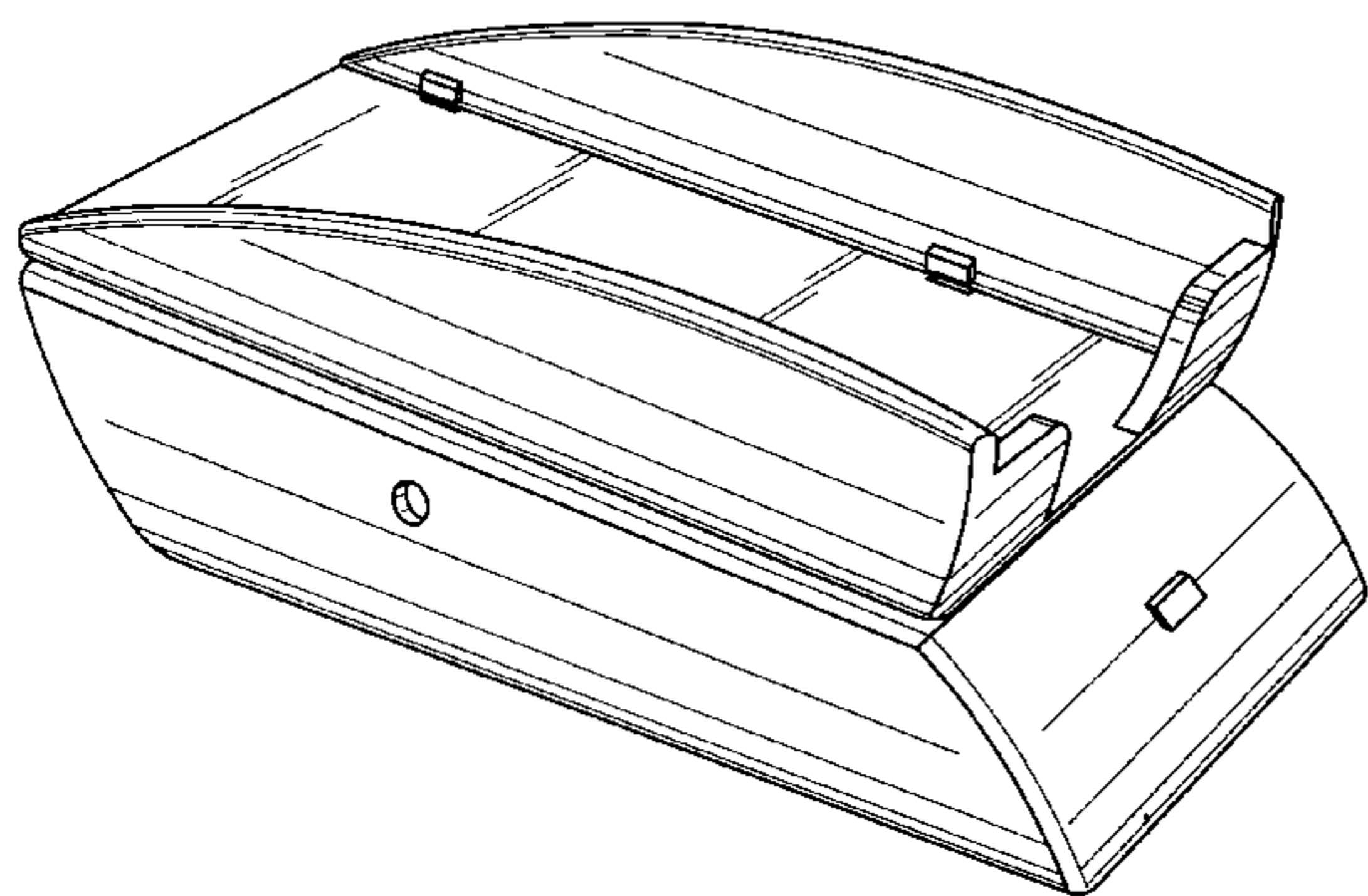
(57) **CLAIM**

The ornamental design for a mobile phone holder, as shown and described.

DESCRIPTION

FIG. 1 is a side perspective view of the mobile phone holder showing my new design;
 FIG. 2 is a side perspective view in an opened position of the mobile phone holder of FIG. 1;
 FIG. 3 is a front view of the mobile phone holder of FIG. 1;
 FIG. 4 is a rear view of the mobile phone holder of FIG. 1;
 FIG. 5 is a left side view of the mobile phone holder of FIG. 1;
 FIG. 6 is a right side view of the mobile phone holder of FIG. 1;
 FIG. 7 is a top plan view of the mobile phone holder of FIG. 1;
 FIG. 8 is a bottom plan view of the mobile phone holder of FIG. 1; and,
 FIG. 9 is a left side view in an opened position of the mobile phone holder of FIG. 1.

1 Claim, 6 Drawing Sheets



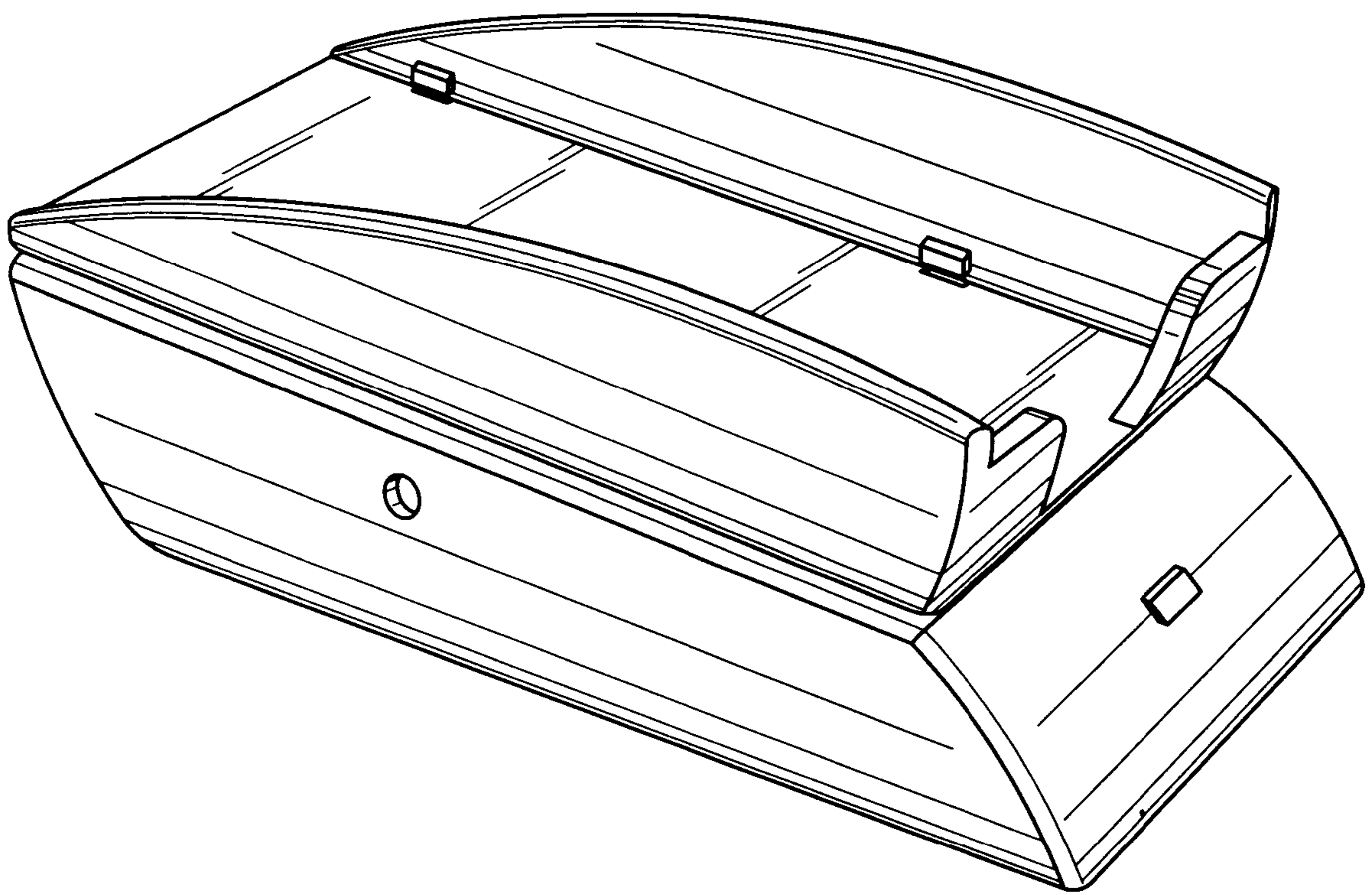


FIG. 1

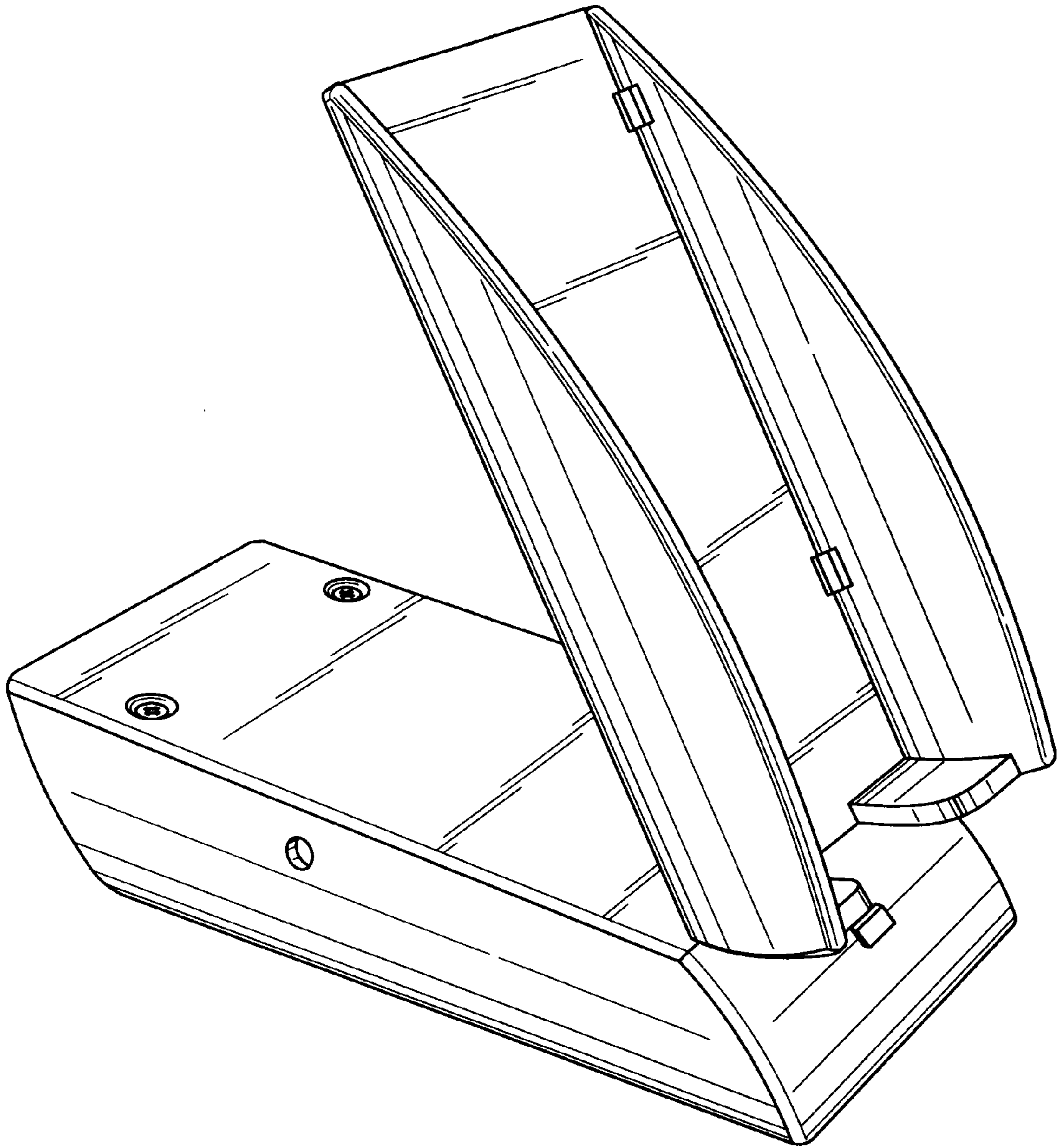


FIG. 2

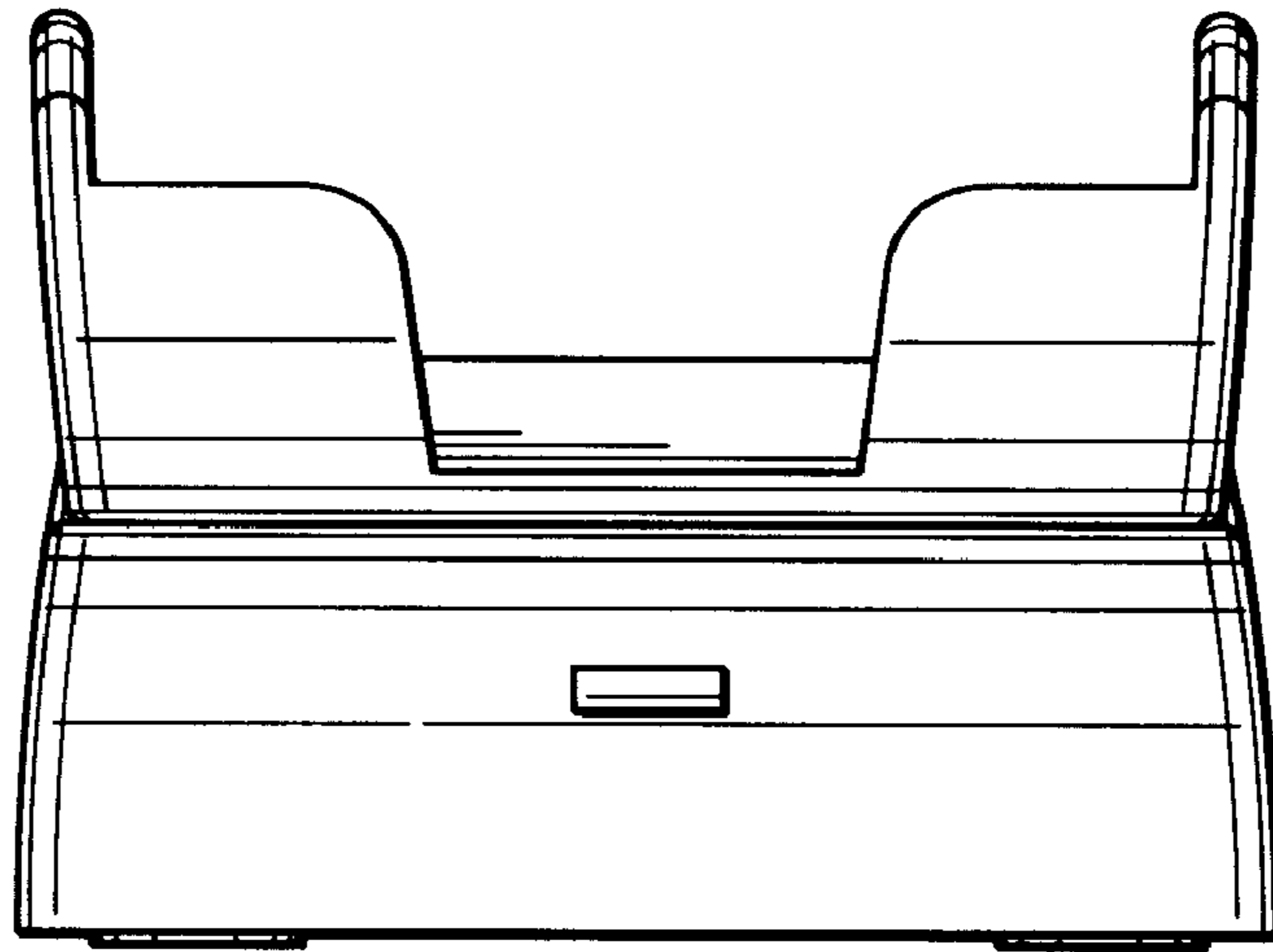


FIG. 3

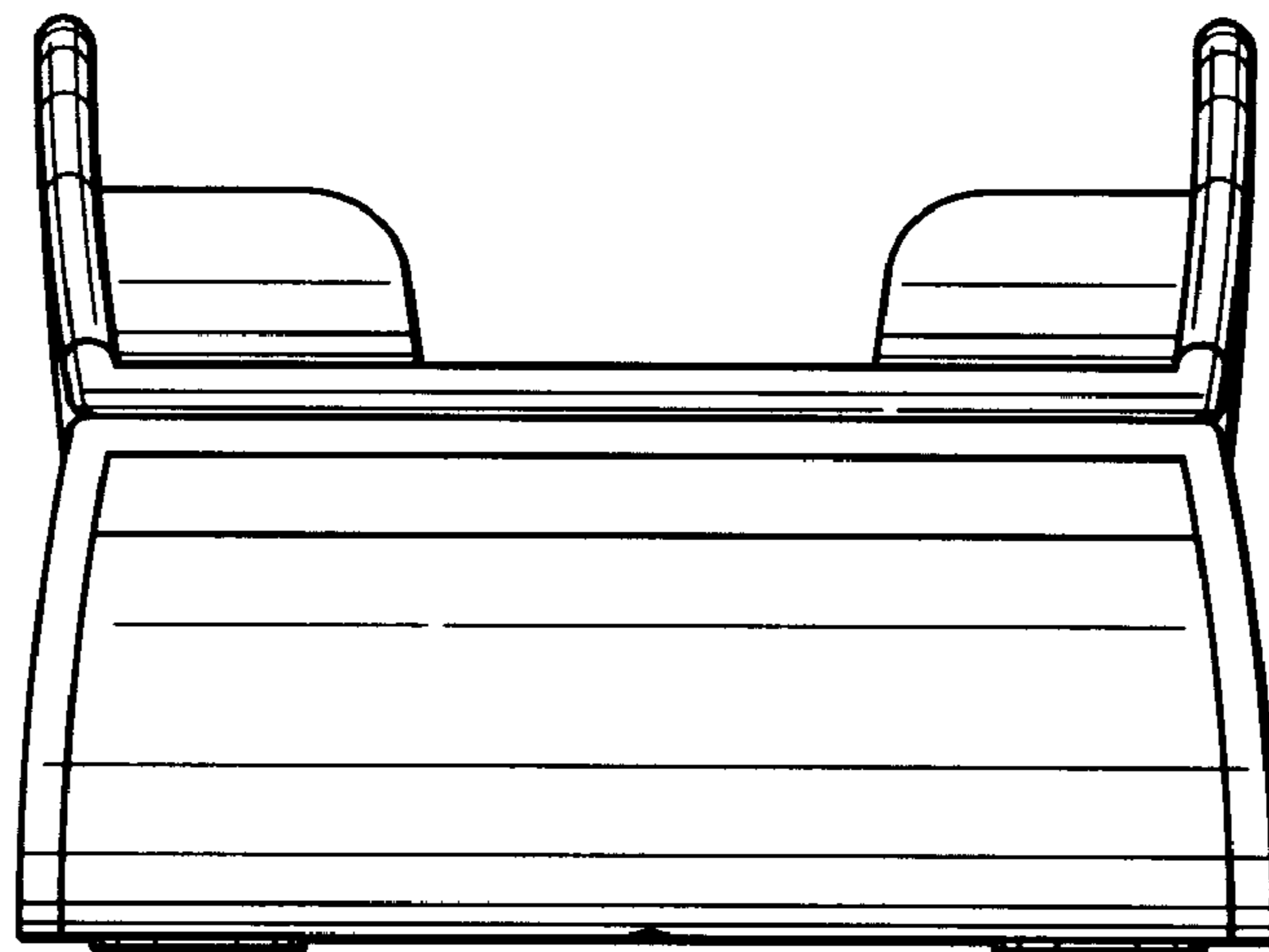


FIG. 4

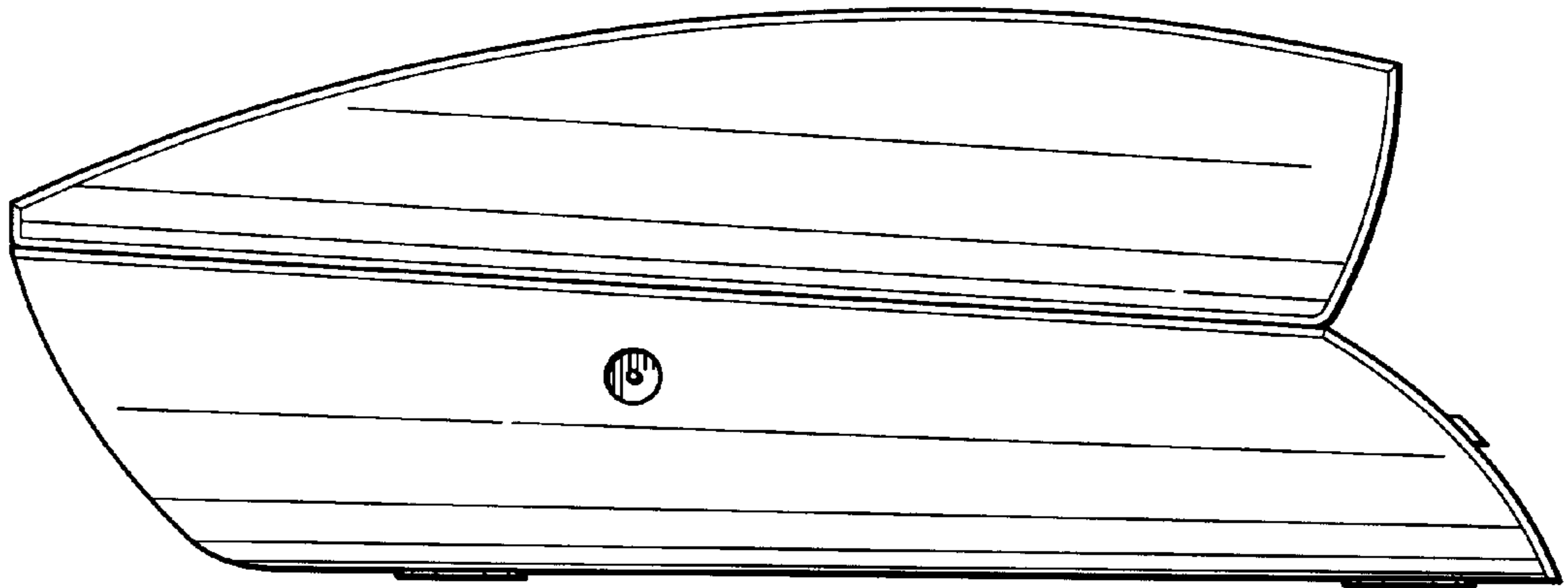


FIG. 5

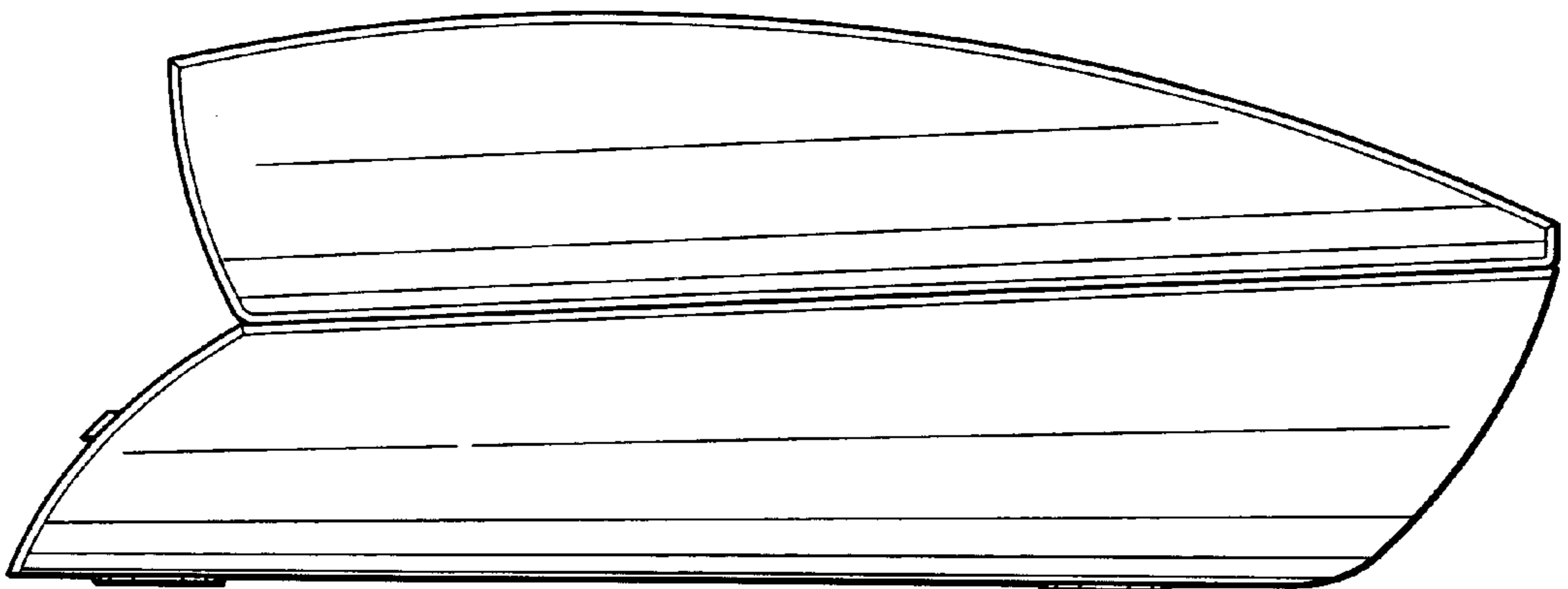


FIG. 6

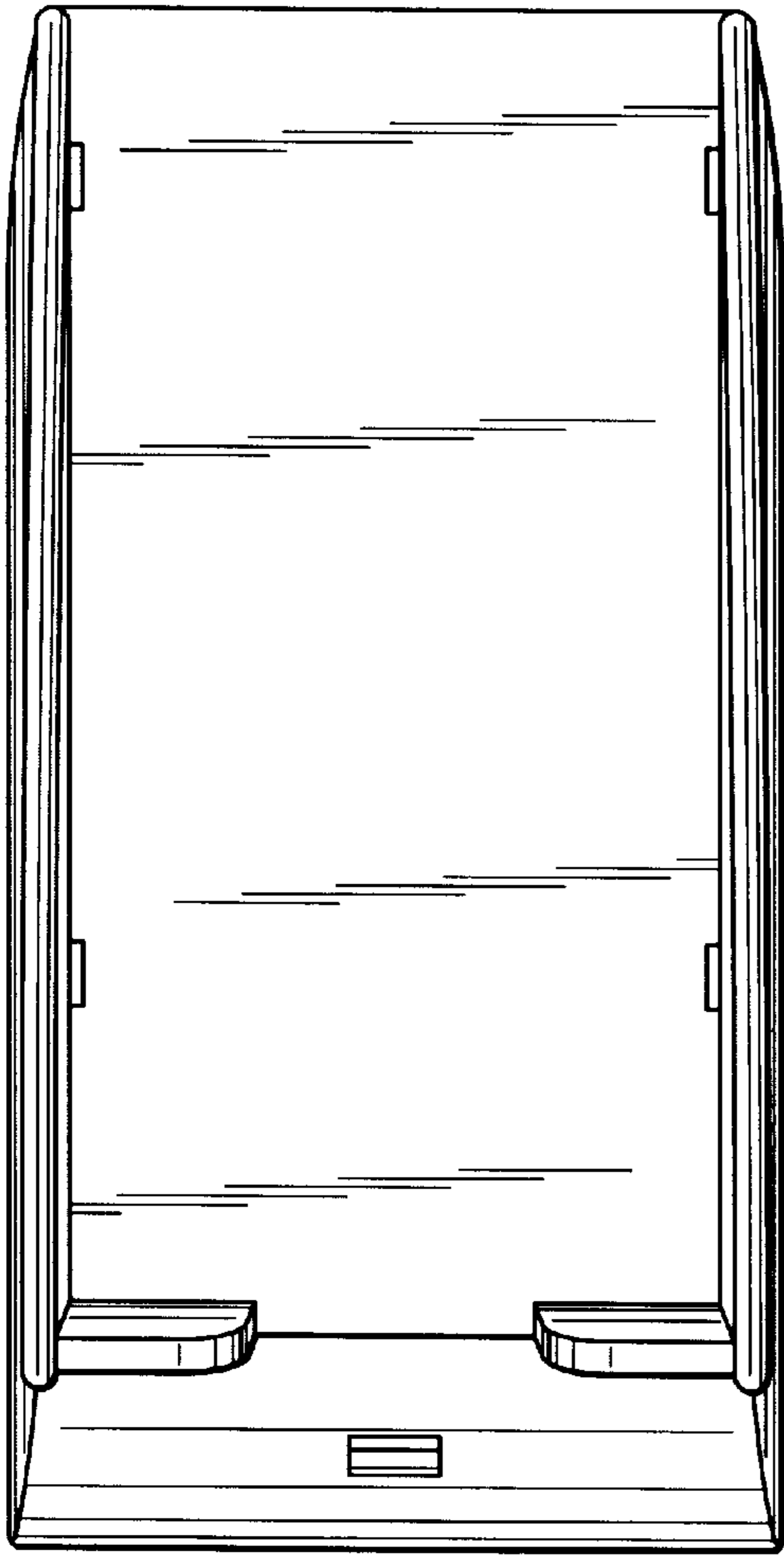


FIG. 7

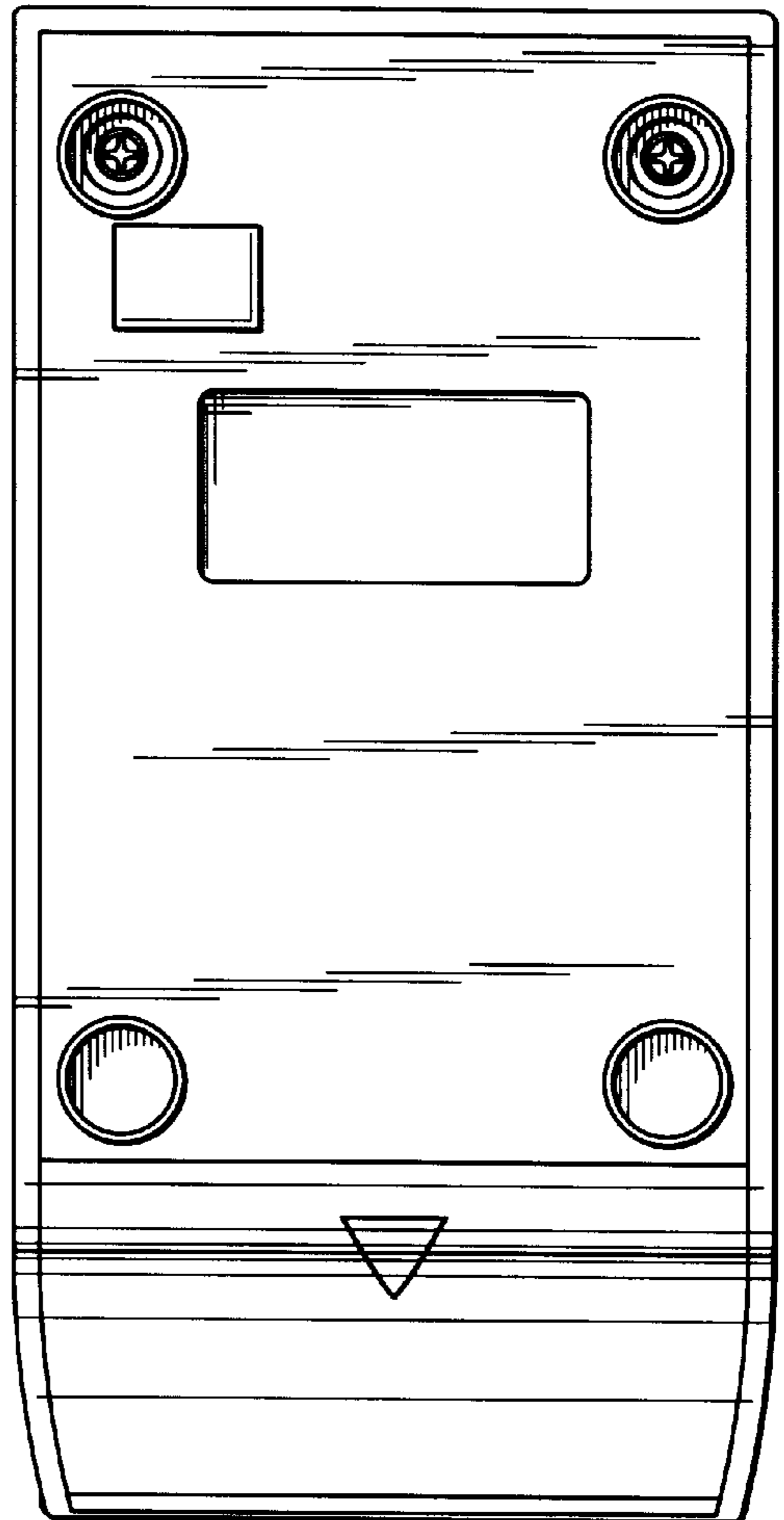


FIG. 8

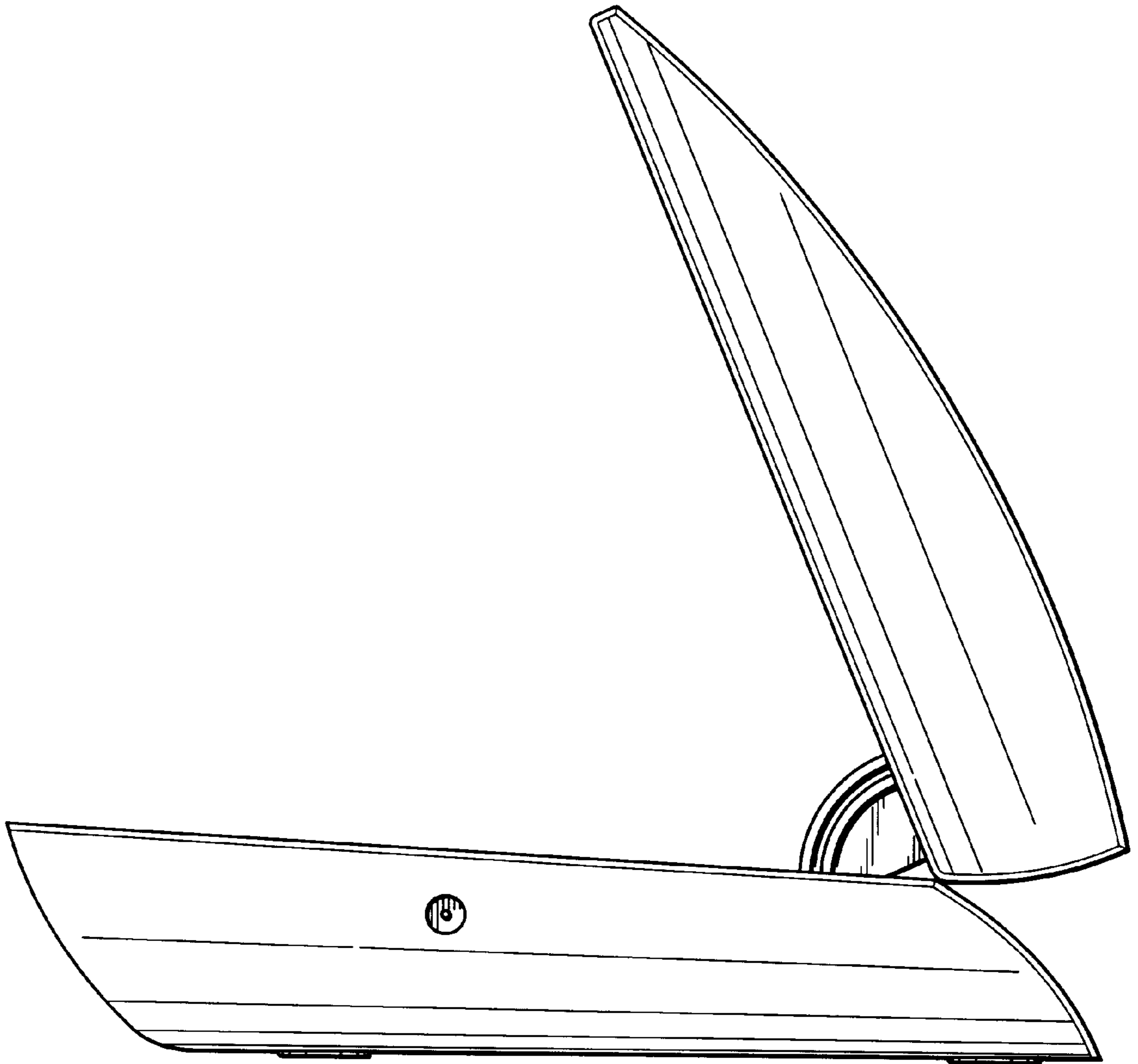


FIG. 9