



US00D471547S

(12) **United States Design Patent**
Ruohonen

(10) **Patent No.:** **US D471,547 S**

(45) **Date of Patent:** **** Mar. 11, 2003**

(54) **CAR HOLDER FOR A HANDSET**

(75) **Inventor:** **Matti Juhani Ruohonen, Turku (FI)**

(73) **Assignee:** **Nokia Corporation, Espoo (FI)**

(**) **Term:** **14 Years**

(21) **Appl. No.:** **29/147,463**

(22) **Filed:** **Aug. 29, 2001**

(51) **LOC (7) Cl.** **14-03**

(52) **U.S. Cl.** **D14/253**

(58) **Field of Search** D14/137, 434,
D14/138, 447, 148, 147, 149-151, 140-142,
240, 241, 251, 253, 451; 379/426, 449,
419, 420.01-420.04, 428.01-428.04, 440,
454, 455, 446; 455/550-575, 90; D13/107,
108; 320/110, 113, 114, 115; D3/218

(56) **References Cited**

U.S. PATENT DOCUMENTS

D320,991 S	*	10/1991	Nagai et al.	D14/251
D321,885 S	*	11/1991	Sheldrake	D14/253
D350,545 S	*	9/1994	Olkkola et al.	D14/253
D356,798 S	*	3/1995	Rudkiewicz et al.	D14/253
D361,335 S	*	8/1995	Rudkiewicz et al.	D14/253
D392,646 S	*	3/1998	Takayasu et al.	D14/253
5,825,874 A	*	10/1998	Humphreys et al.	379/446
5,898,775 A	*	4/1999	Niemo et al.	379/446
D419,160 S	*	1/2000	Davidson et al.	D14/253
6,043,626 A	*	3/2000	Snyder et al.	320/113

6,185,302 B1	*	2/2001	Rytkonen et al.	379/446
D441,713 S	*	5/2001	Gartrell	D13/108
D456,395 S	*	4/2002	Lehtovaara	D14/253
D462,677 S	*	9/2002	Eroma	D14/253
2002/0090083 A1	*	7/2002	Grant et al.	379/454

FOREIGN PATENT DOCUMENTS

JP 05344041 * 3/1998

OTHER PUBLICATIONS

Retailer's Guide Nokia Accessories for Europe and Africa, 3rd edition, published 1998, p. 11, product MBC-1.*

* cited by examiner

Primary Examiner—Jeffrey Asch

(74) *Attorney, Agent, or Firm*—Banner & Witcoff, Ltd.

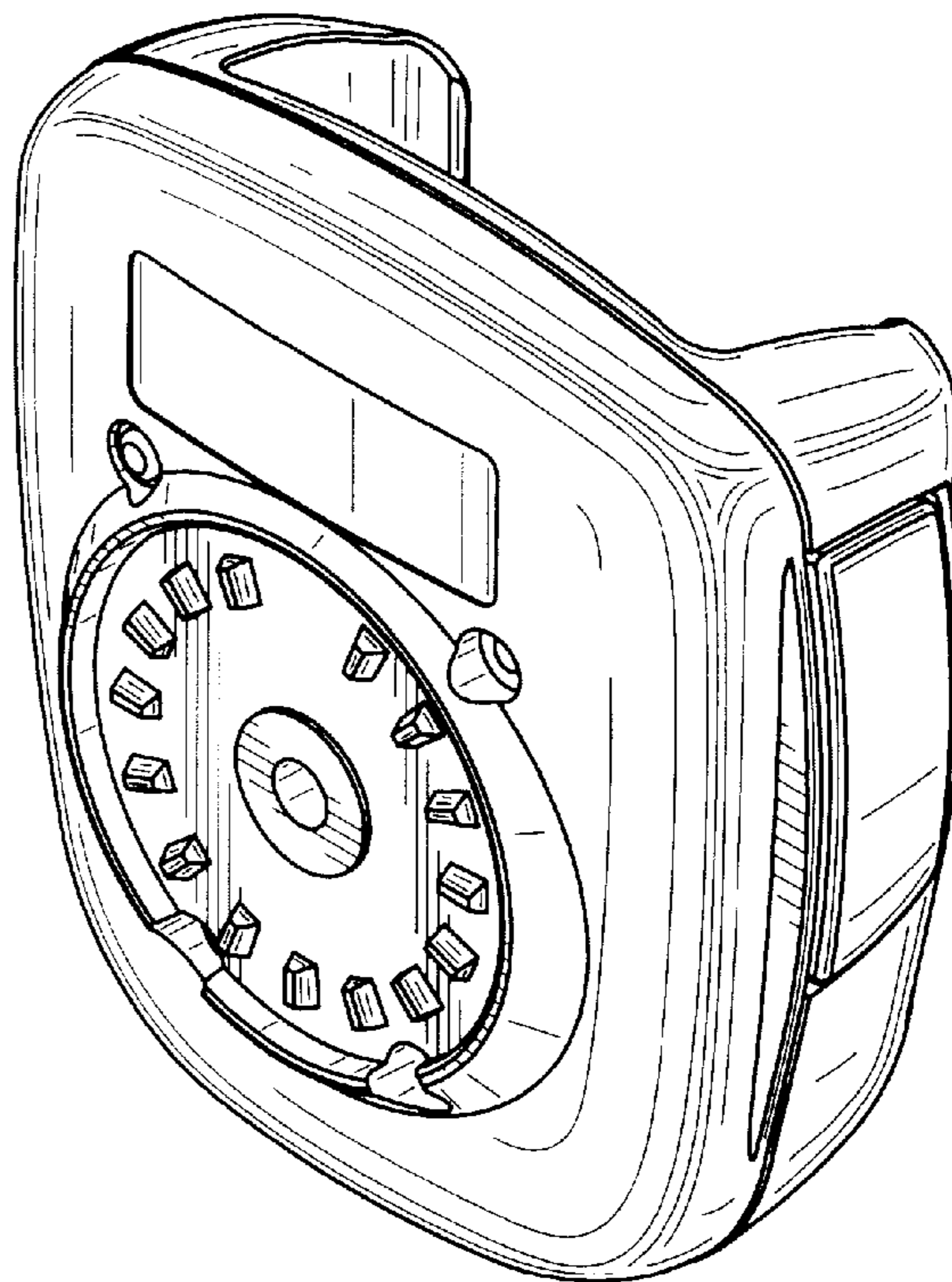
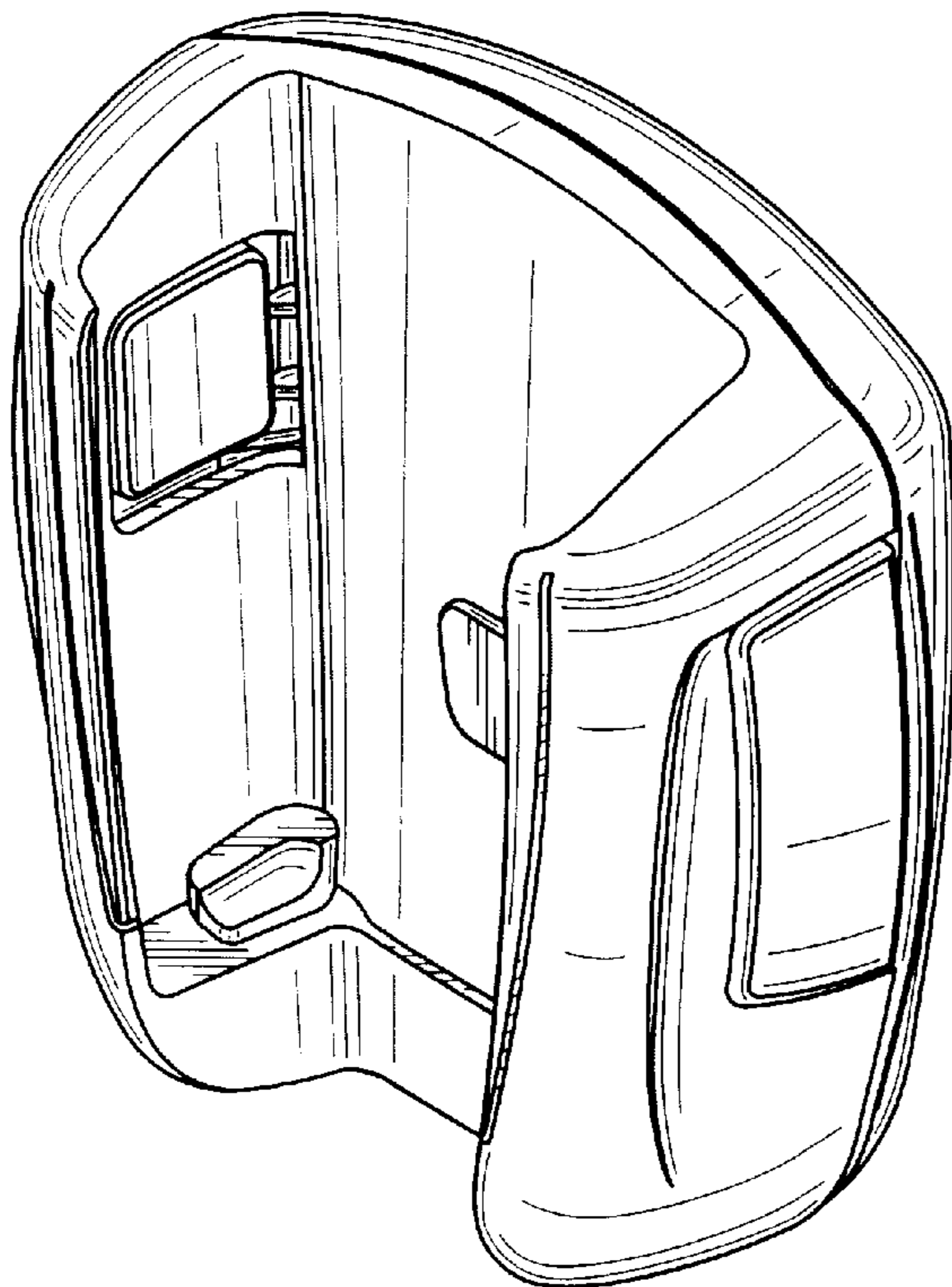
(57) **CLAIM**

I claim the ornamental design for a car holder for a handset, as shown.

DESCRIPTION

FIG. 1 is a bottom plan view of the car holder for a handset; FIG. 2 is a right side view thereof; FIG. 3 is a front view thereof; FIG. 4 is a left side view thereof; FIG. 5 is a top plan view thereof; FIG. 6 is a perspective front view thereof; FIG. 7 is a perspective rear view thereof; and, FIG. 8 is a rear view thereof.

1 Claim, 4 Drawing Sheets



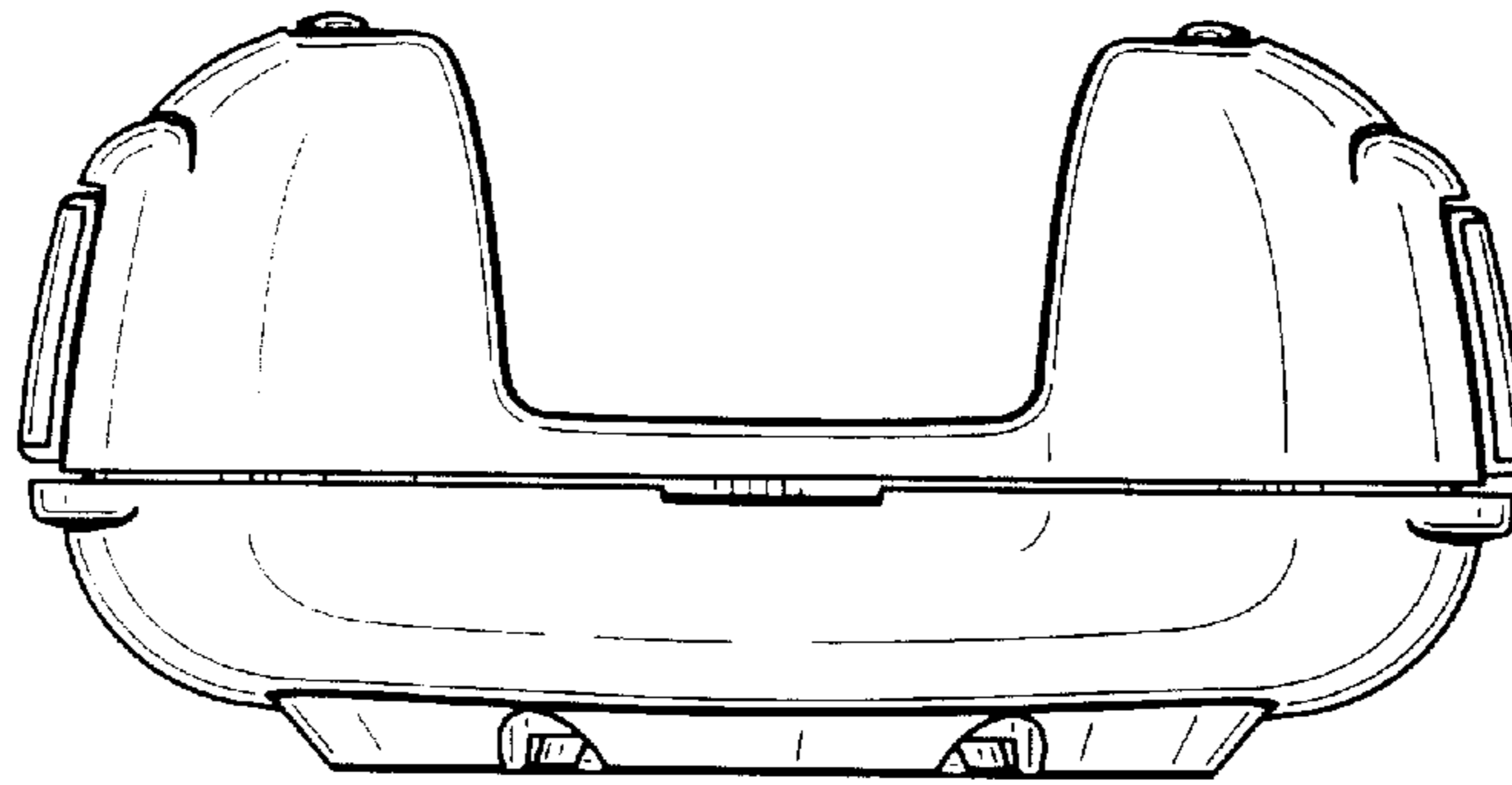


FIG. 1



FIG. 2

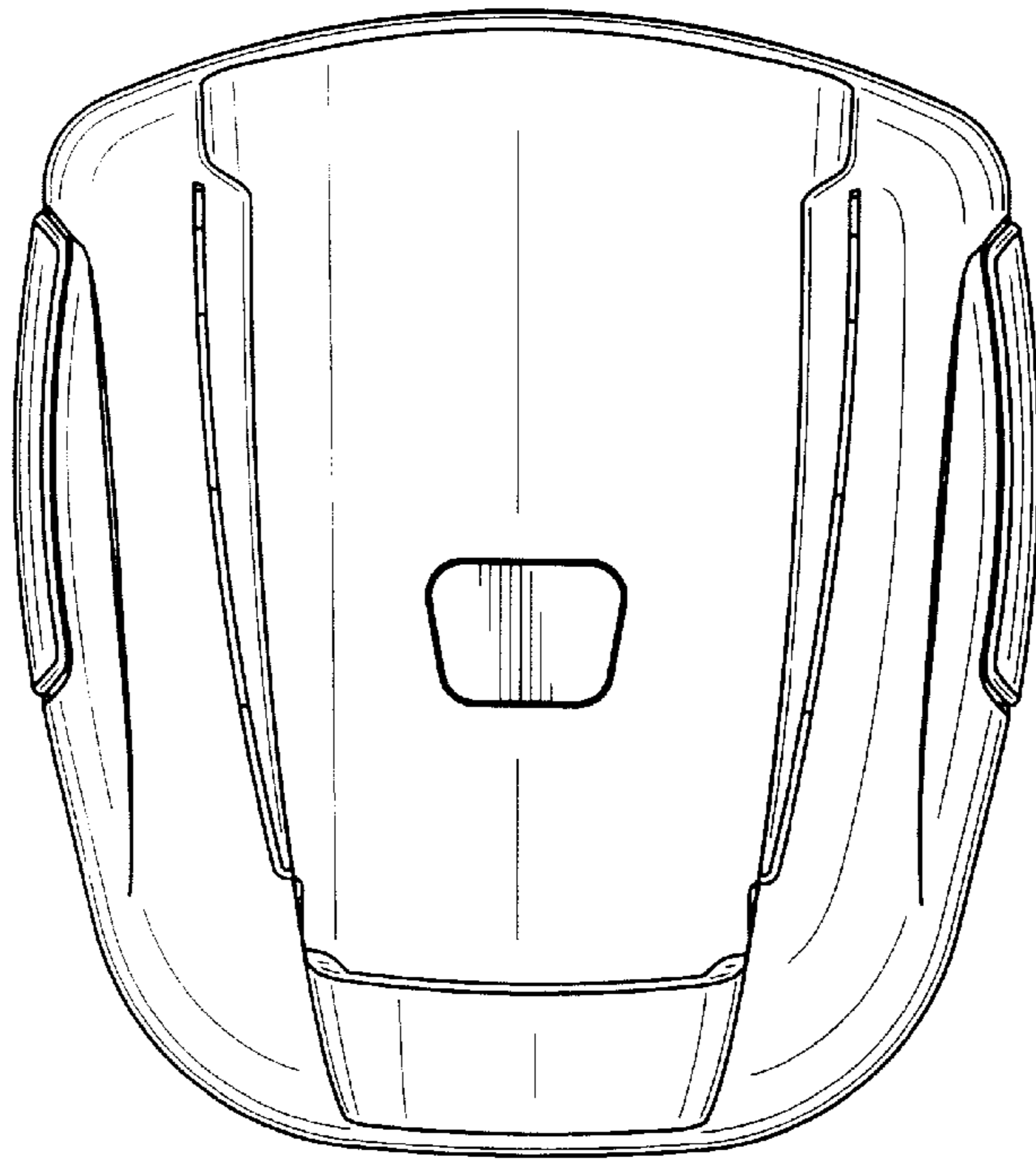


FIG. 3

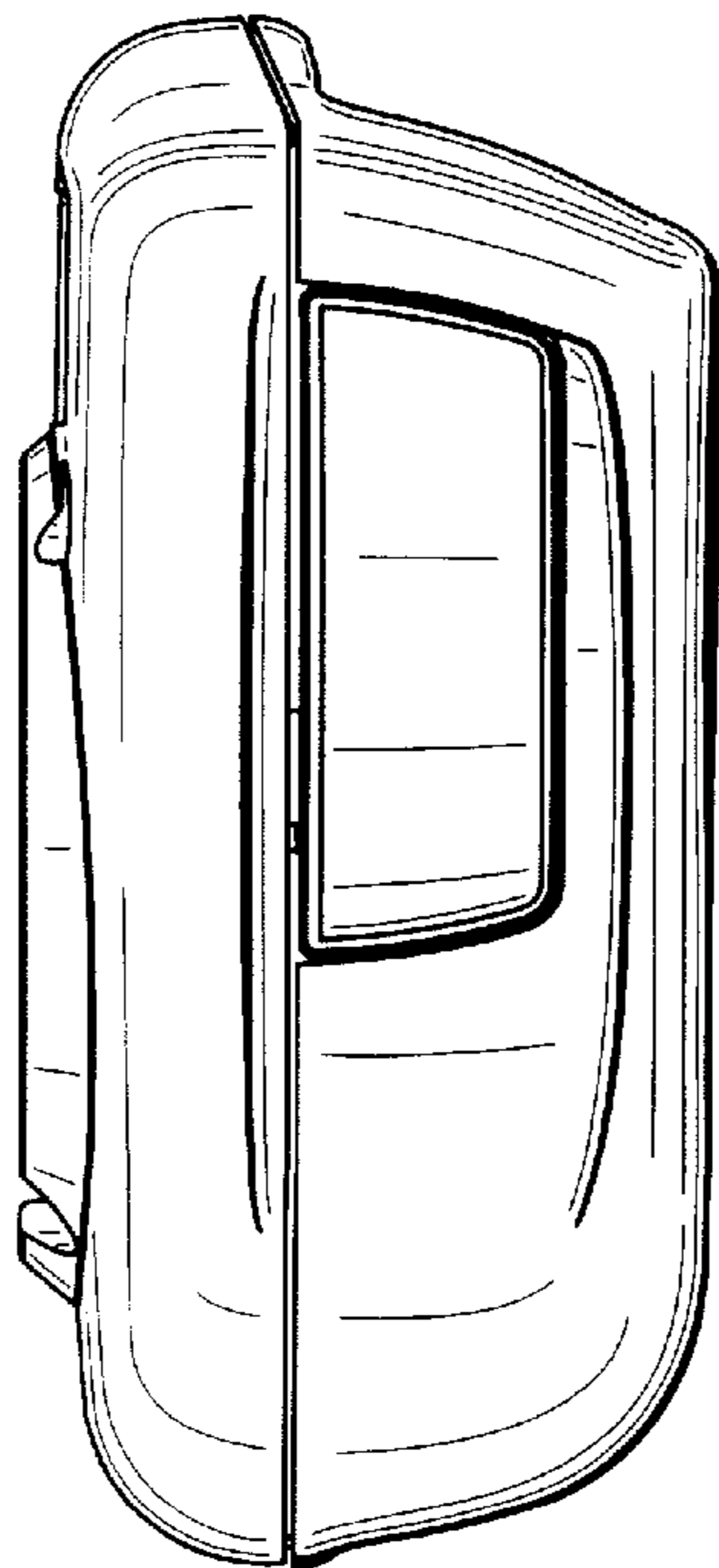


FIG. 4

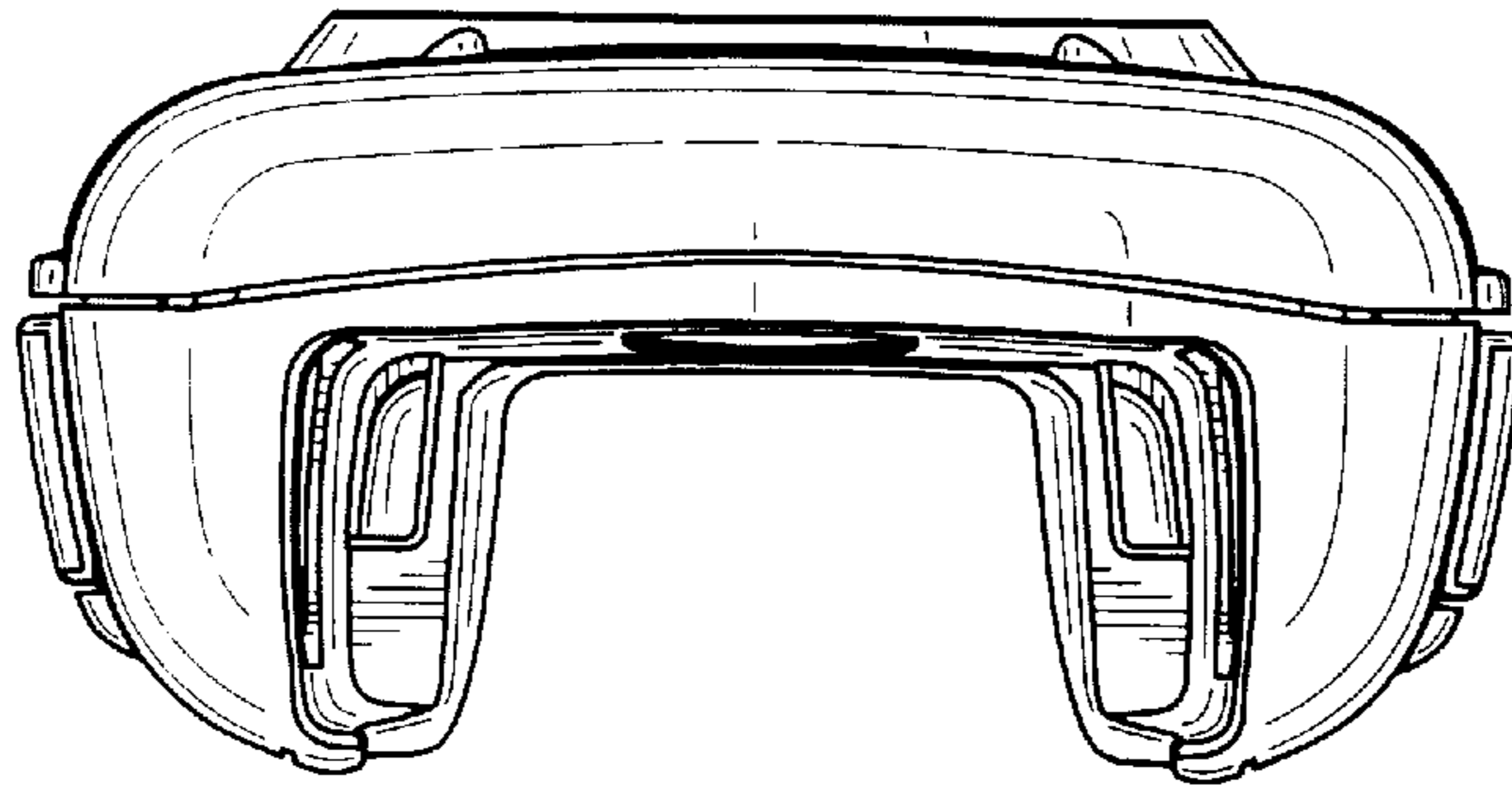


FIG. 5

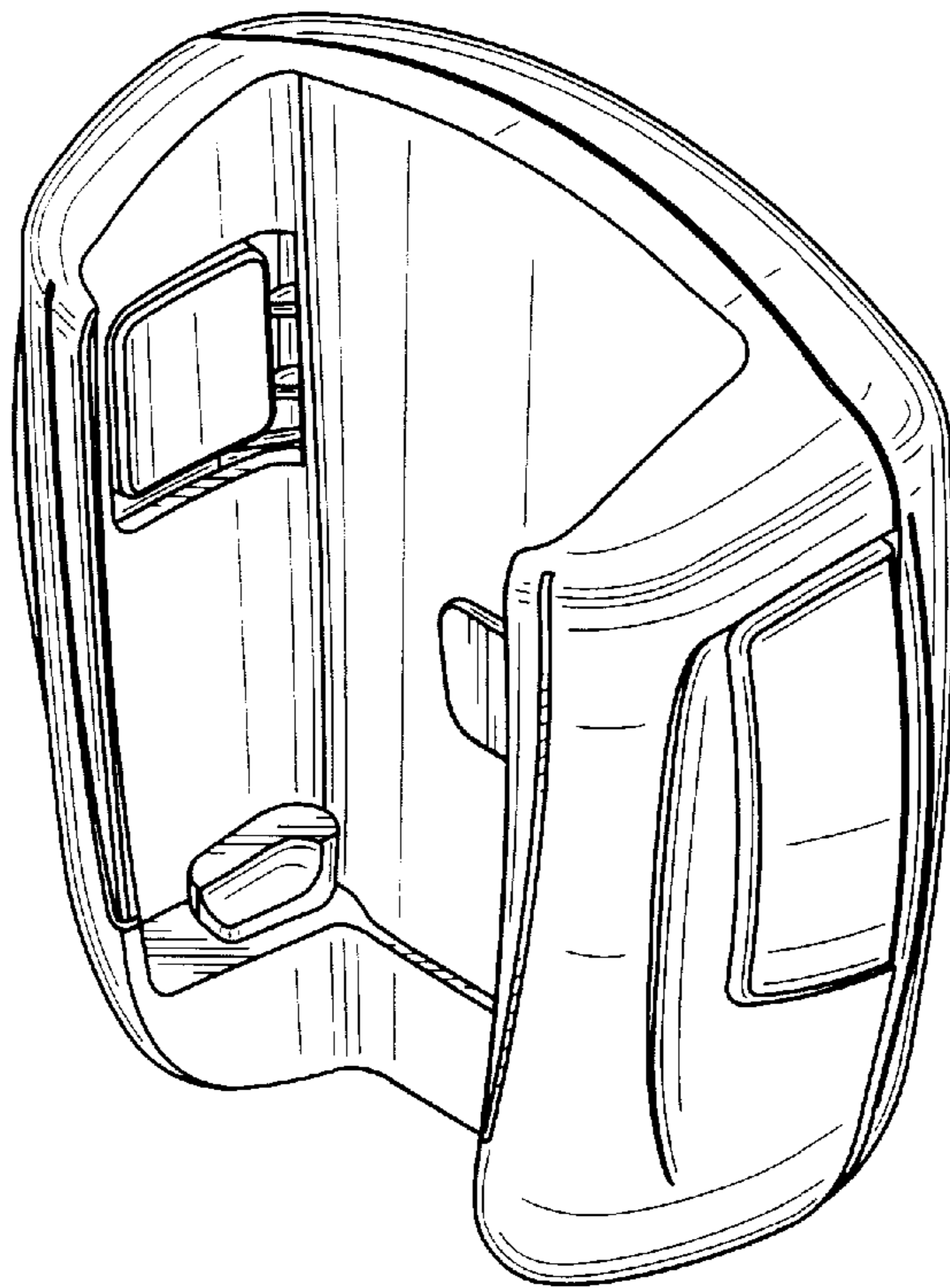


FIG. 6

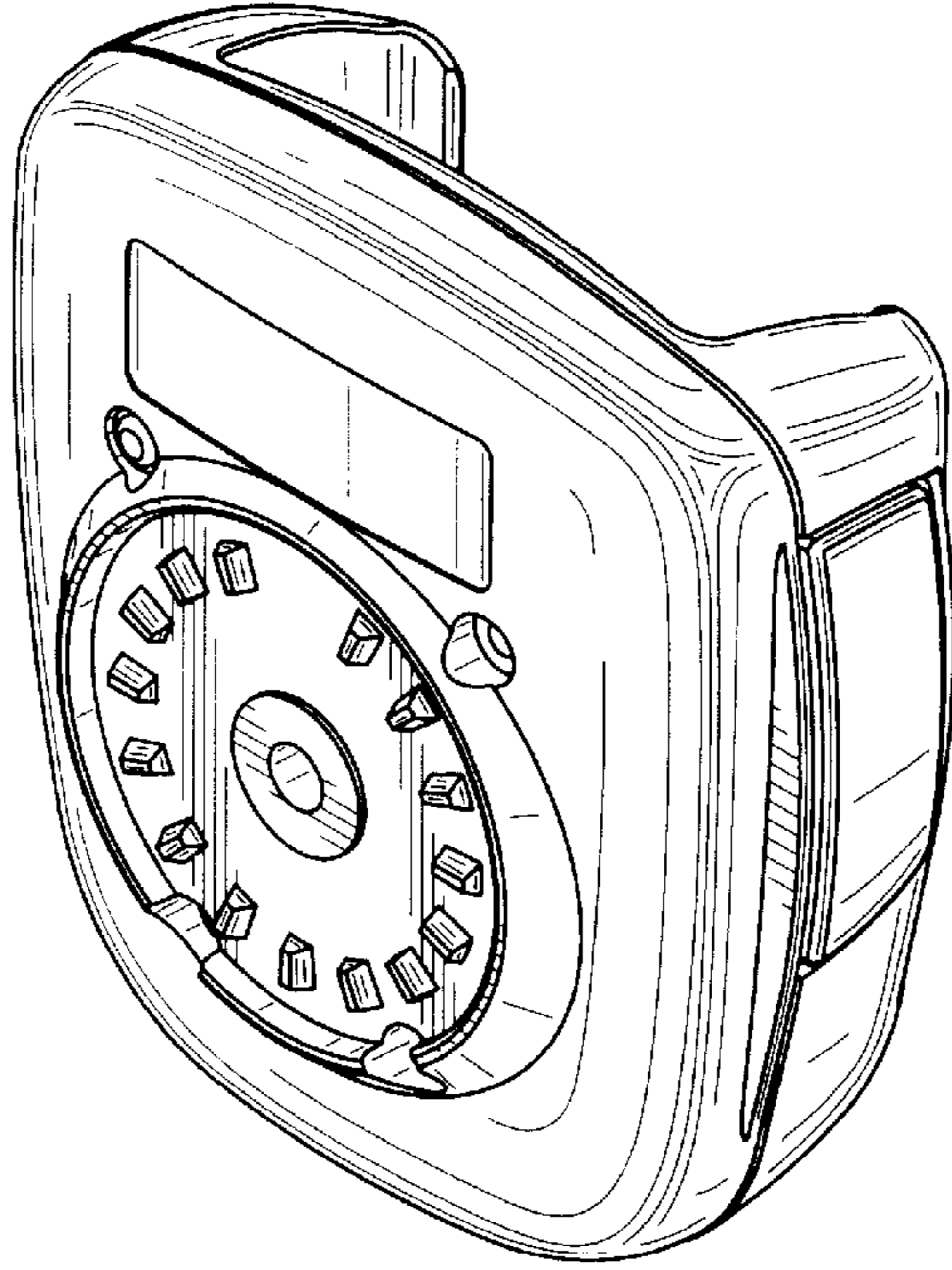


FIG. 7

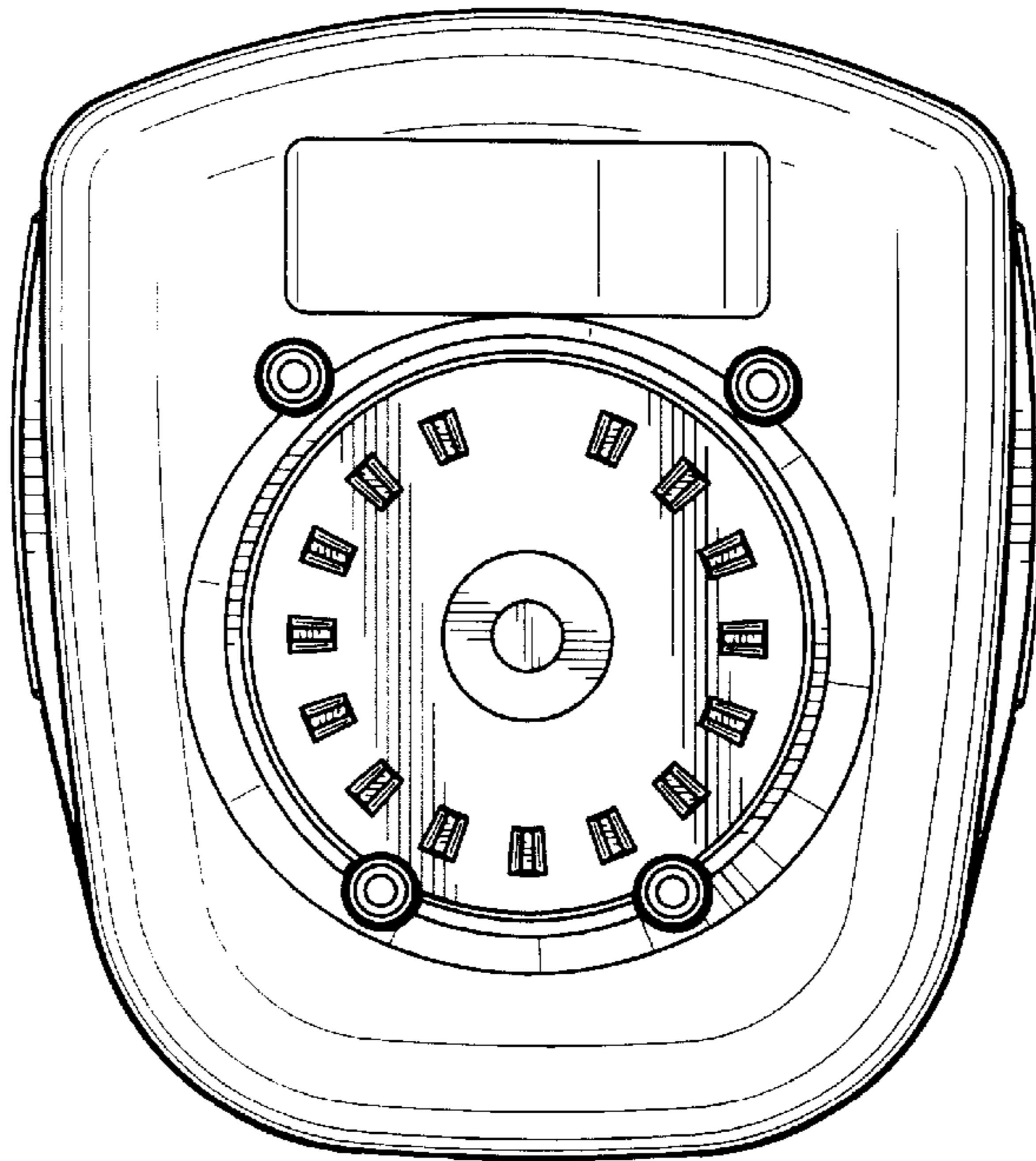


FIG. 8