



US00D471539S

(12) **United States Design Patent**
Warner et al.

(10) **Patent No.:** **US D471,539 S**
(45) **Date of Patent:** **** Mar. 11, 2003**

(54) **GPS RECEIVER**

(75) Inventors: **Jack S. Warner**, Los Gatos, CA (US);
Bradley J. Hamel, Santa Clara, CA
(US); **Brian G. Coleman**, San Jose, CA
(US)

(73) Assignee: **Trimble Navigation Limited**,
Sunnyvale, CA (US)

(**) Term: **14 Years**

(21) Appl. No.: **29/157,729**

(22) Filed: **Mar. 22, 2002**

(51) **LOC (7) Cl.** **14-03**

(52) **U.S. Cl.** **D14/231**

(58) **Field of Search** D14/137-138,
D14/299, 230, 232, 233, 235-238, 155,
341, 343-345, 358, 388; 343/702, 872,
873; 455/90-92, 95, 128, 347, 575

(56) **References Cited**

U.S. PATENT DOCUMENTS

D371,793 S * 7/1996 Patton D14/218
D385,564 S * 10/1997 Serksnis et al. D14/230

D421,439 S * 3/2000 Giuntoli D14/230
D427,996 S * 7/2000 Heiligenstein et al. D14/230
D444,144 S * 6/2001 Warner et al. D14/230
D448,365 S * 9/2001 Kerestegian et al. D14/388

* cited by examiner

Primary Examiner—Louis S. Zarfes

Assistant Examiner—Deanne Levy

(74) *Attorney, Agent, or Firm*—Wagner, Murabito & Hao
LLP

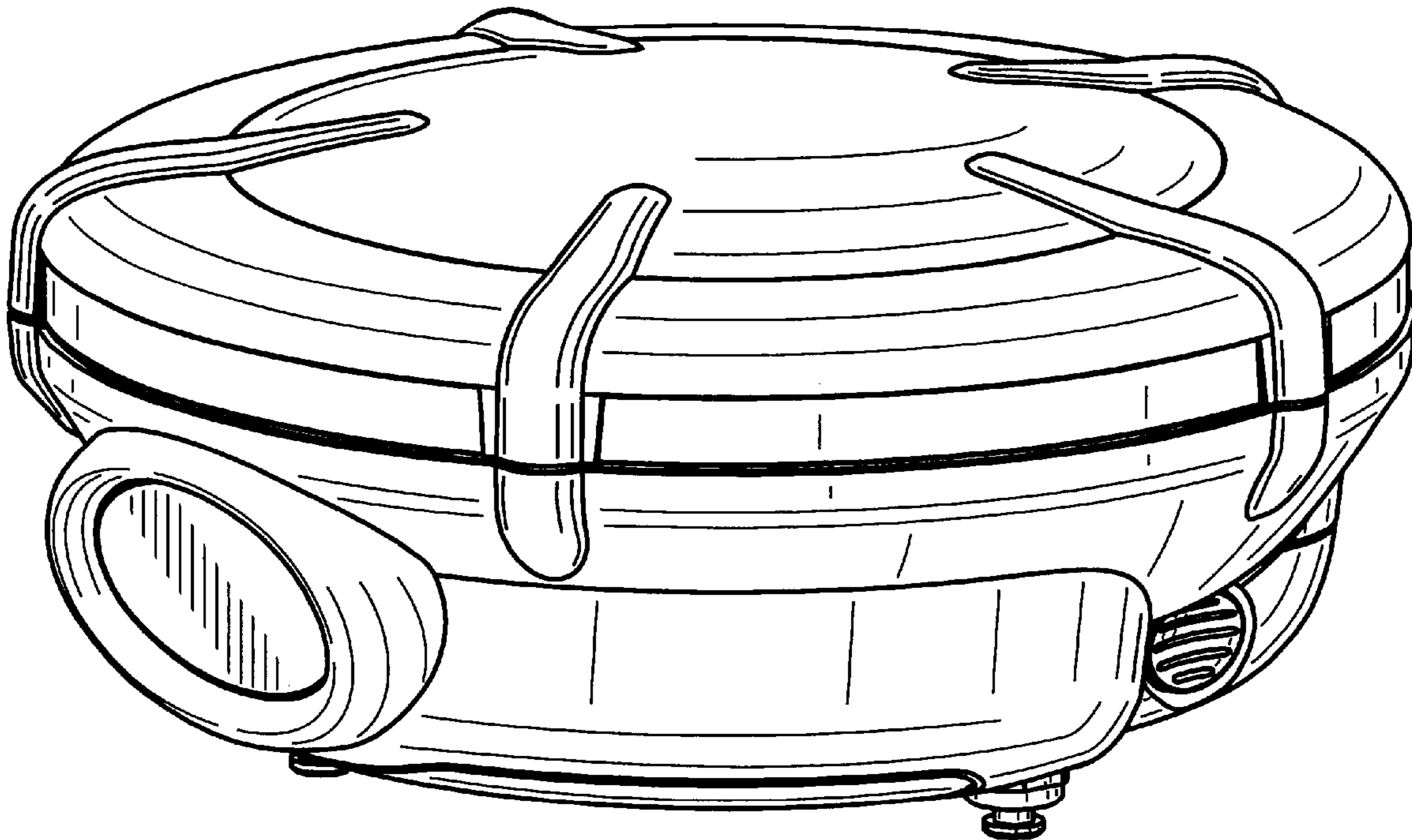
(57) **CLAIM**

We claim the ornamental design for a GPS receiver, as
shown and described.

DESCRIPTION

FIG. 1 is an upper right front perspective view of a GPS
receiver;
FIG. 2 is a lower left front perspective view thereof;
FIG. 3 is a front elevational view thereof;
FIG. 4 is a right side elevational view thereof;
FIG. 5 is a rear elevational view thereof;
FIG. 6 is a left side elevational view thereof;
FIG. 7 is a top plan view thereof; and,
FIG. 8 is a bottom plan view thereof.

1 Claim, 4 Drawing Sheets



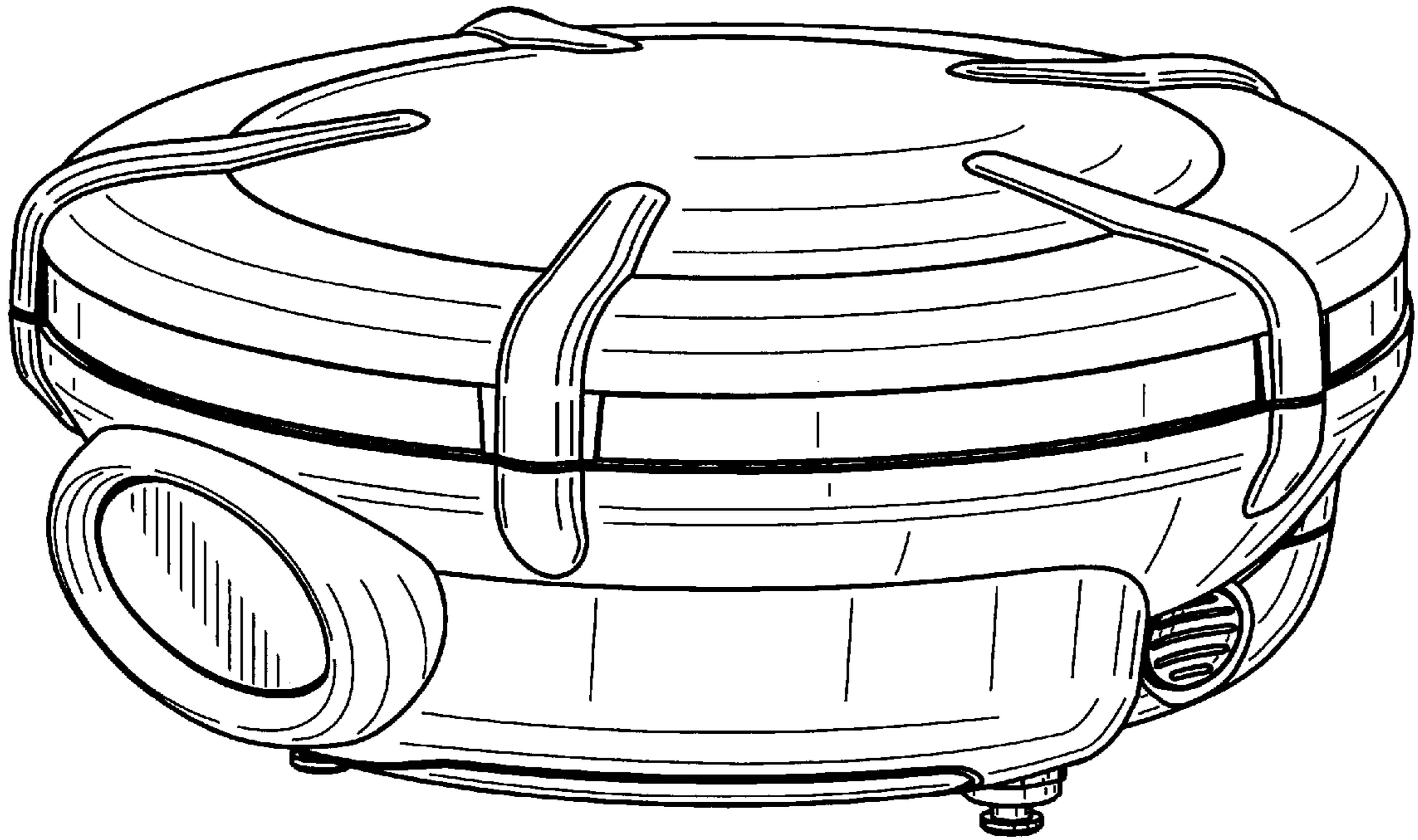


FIG. 1

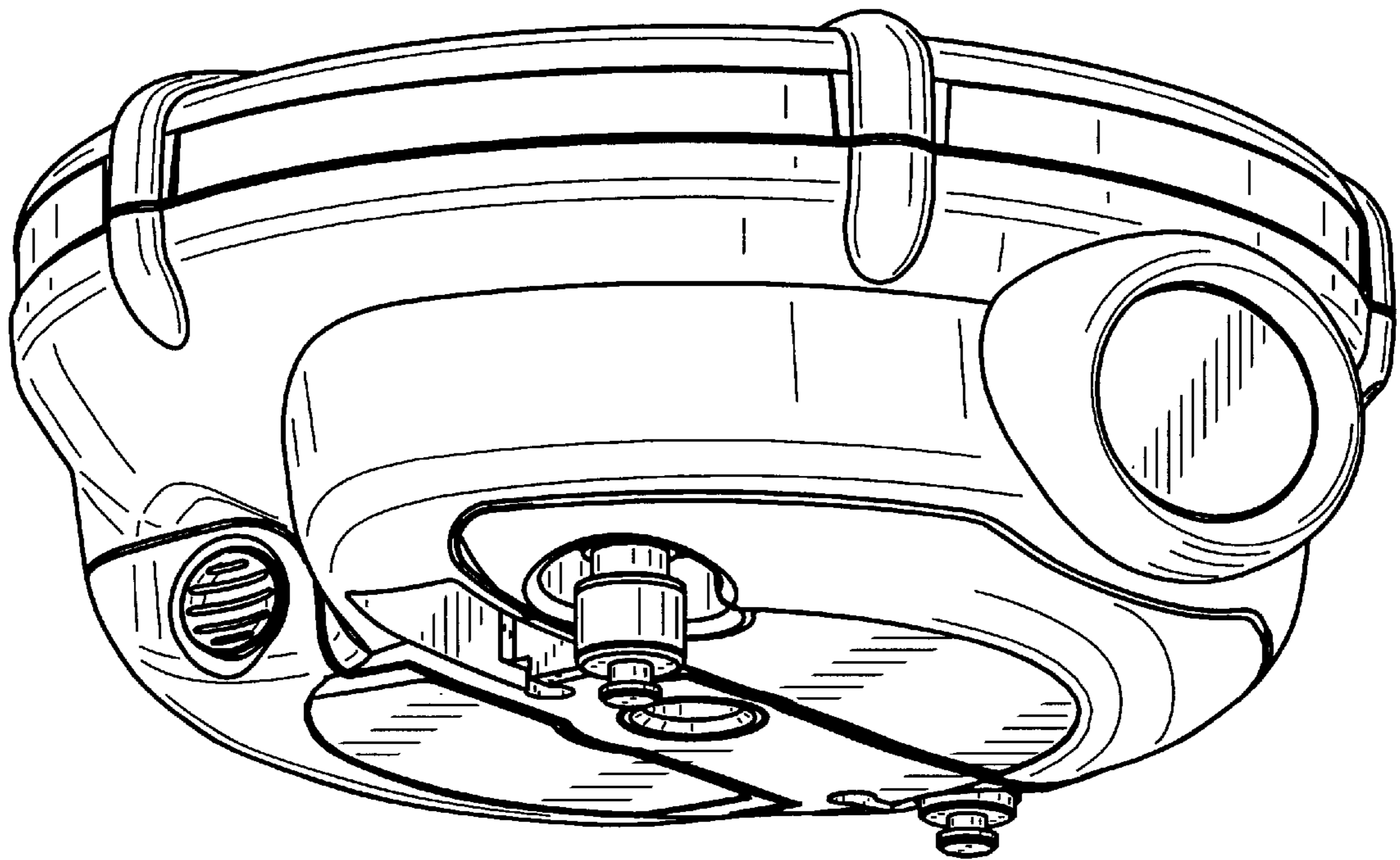


FIG. 2

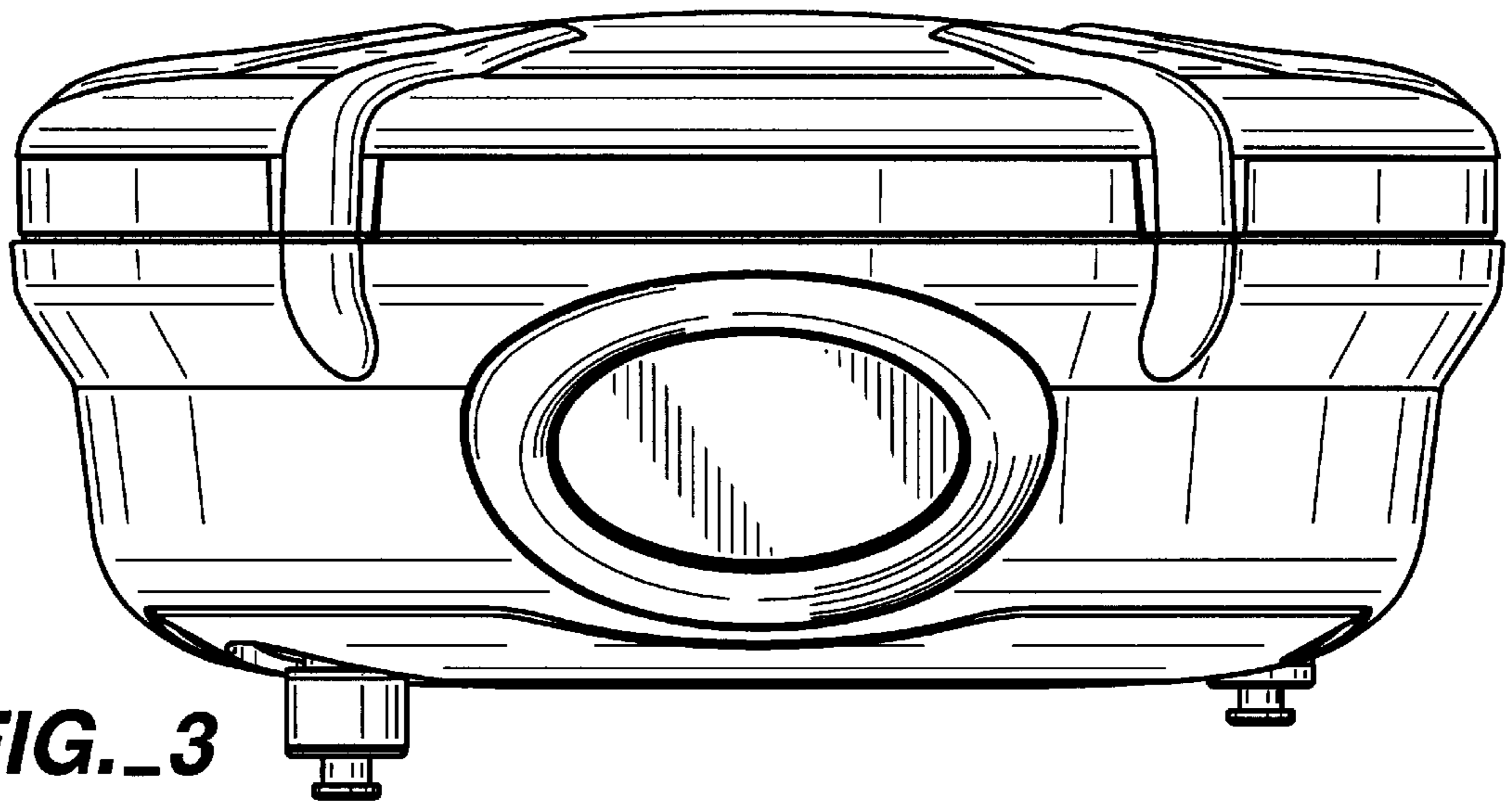


FIG._3

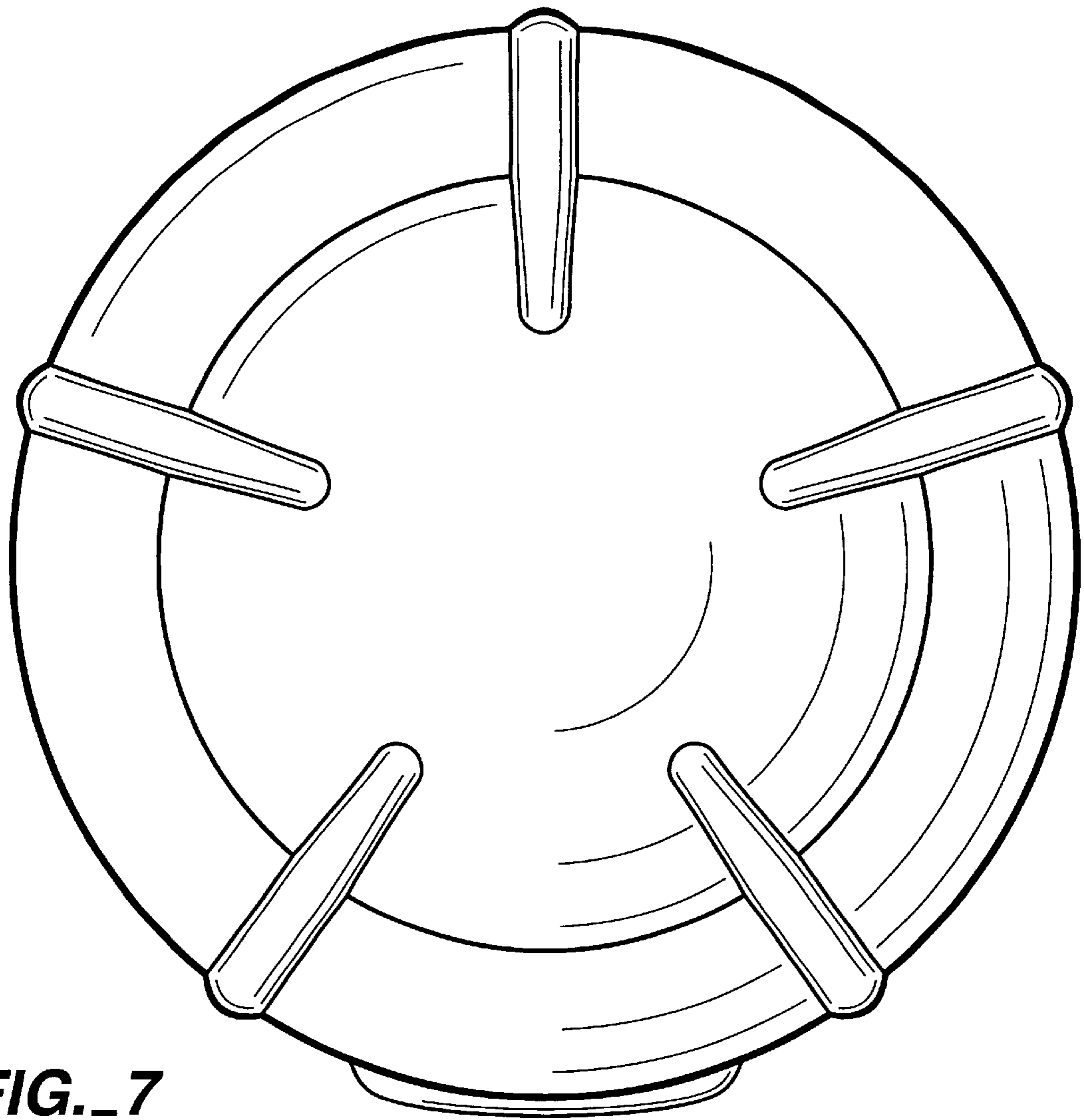


FIG._7

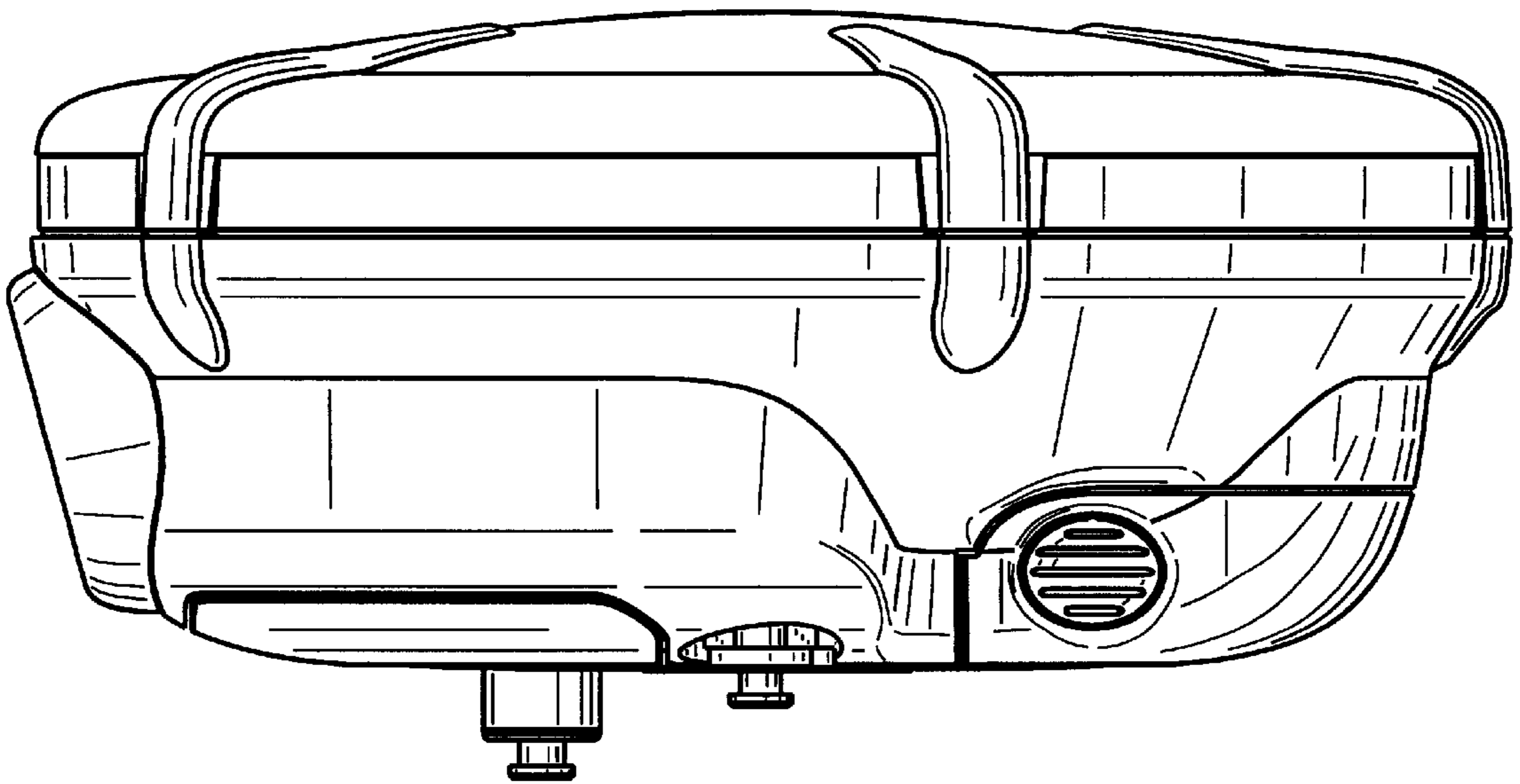


FIG. 4

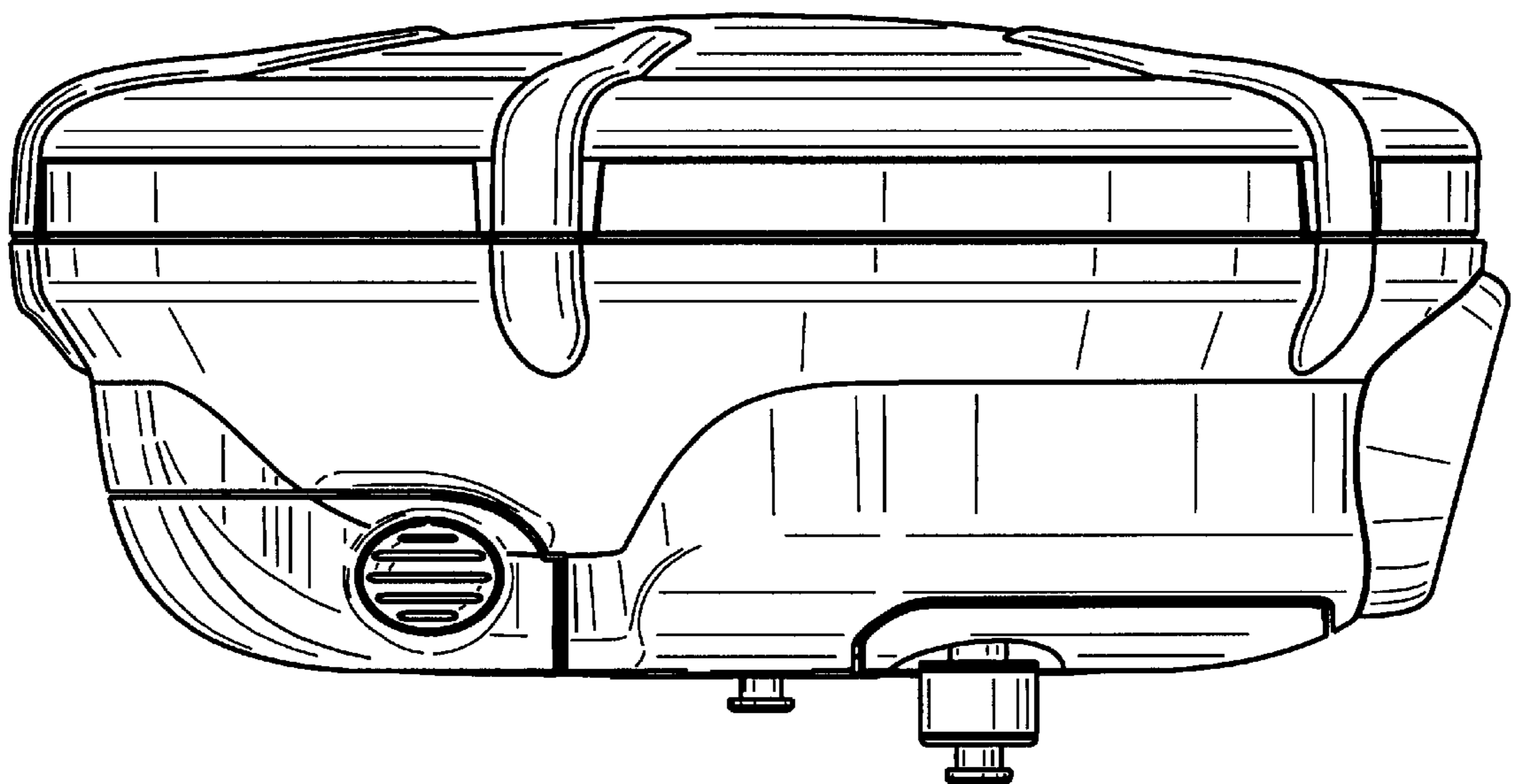


FIG. 6

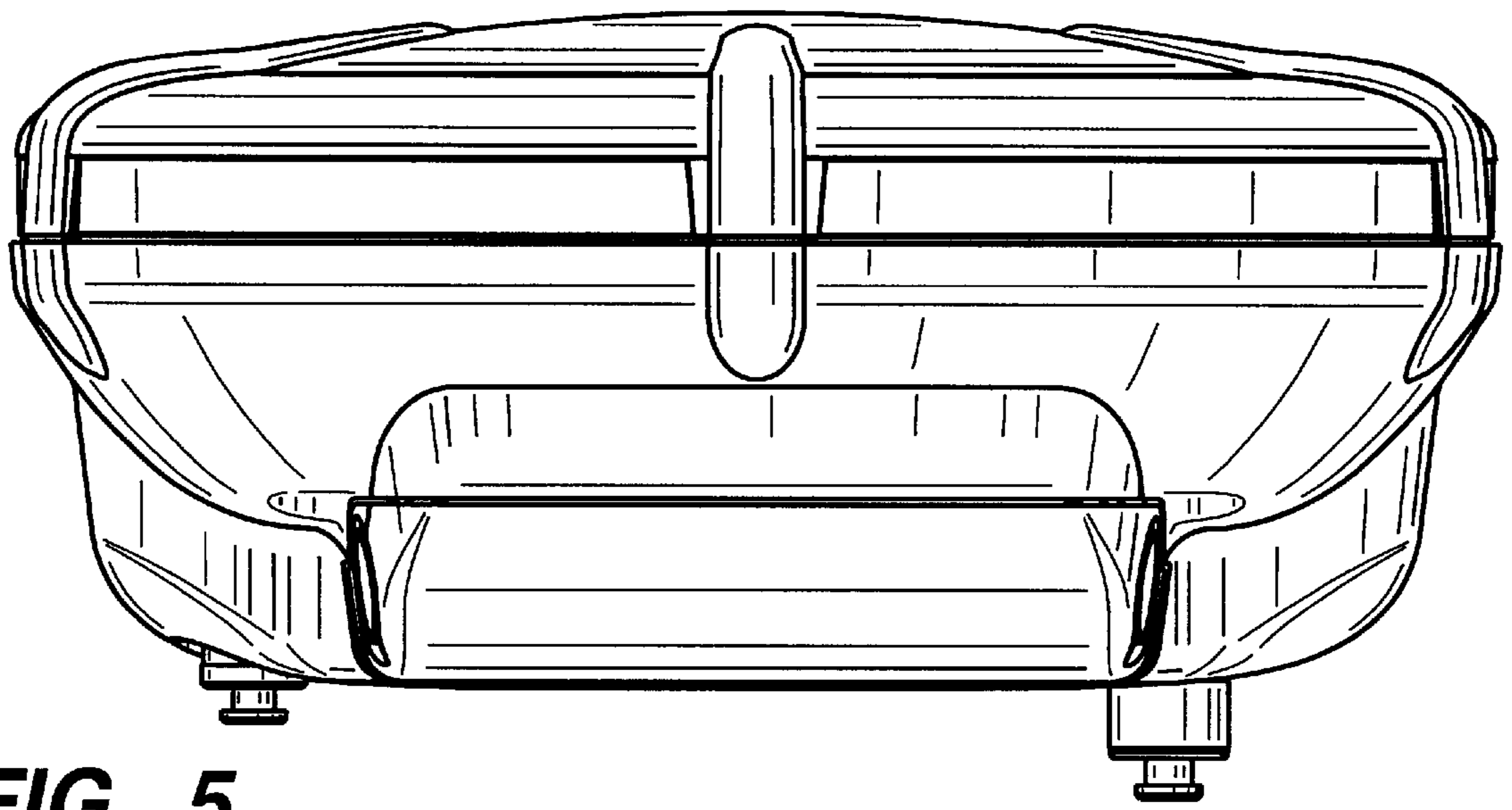


FIG. 5

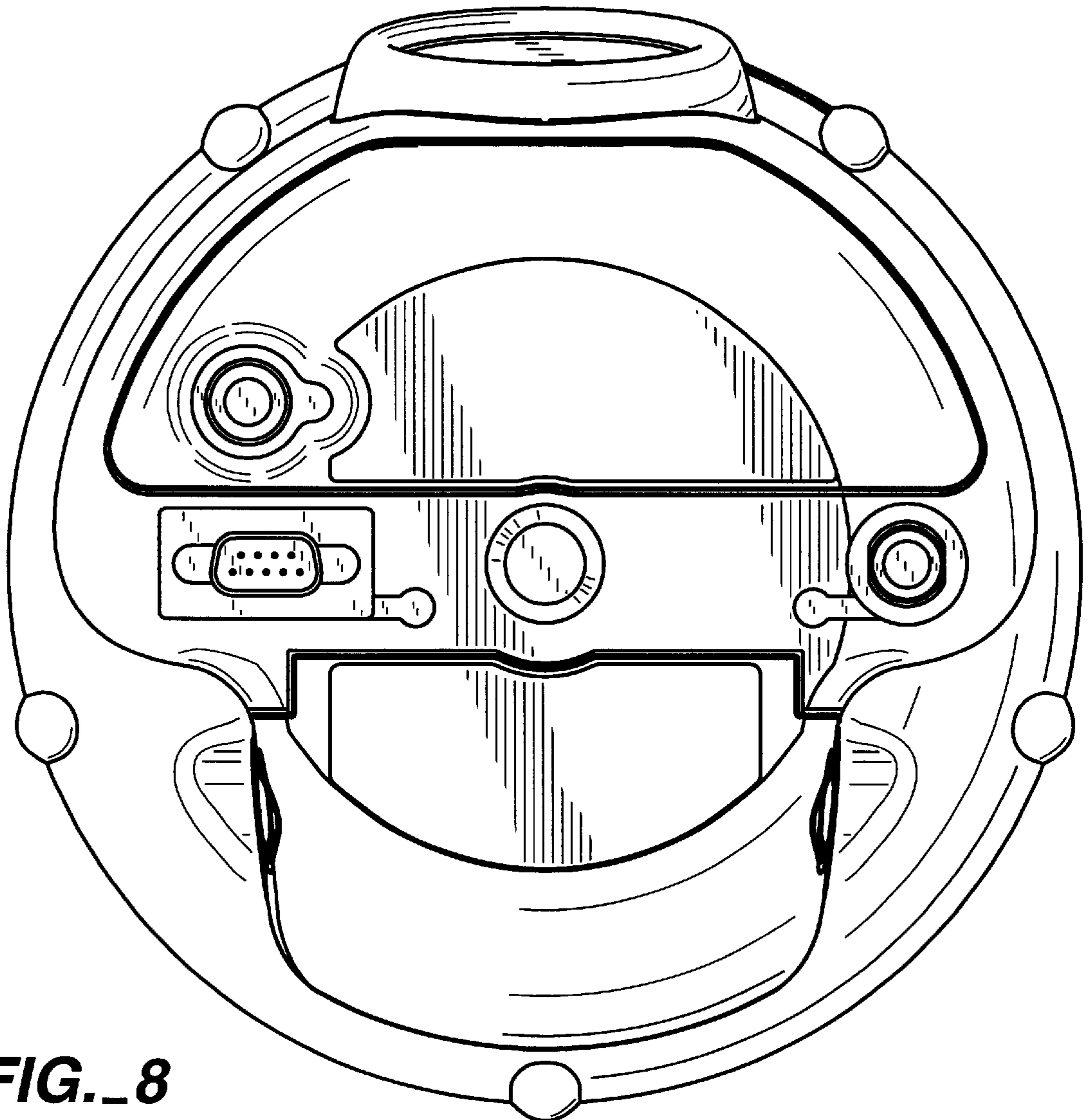


FIG. 8