



US00D471538S

(12) **United States Design Patent**
Forsyth et al.

(10) **Patent No.:** **US D471,538 S**

(45) **Date of Patent:** **** Mar. 11, 2003**

(54) **MULTIBEAM ANTENNA**

(75) Inventors: **Anthony Ross Forsyth**, Mount Colah (AU); **Stuart Gifford Hay**, Kogarah Bay (AU); **Stephen John Barker**, North Ryde (AU); **Trevor Stanley Bird**, Eastwood (AU); **Mark Andrew Sprey**, Chatswood (AU); **Peter John Goss**, Dural (AU); **Kenneth Charles Skinner**, Fairfield (AU)

(73) Assignee: **Commonwealth Scientific and Industrial Research Organisation**, Capital Territory (AU)

(**) Term: **14 Years**

(21) Appl. No.: **29/148,408**

(22) Filed: **Sep. 19, 2001**

(30) **Foreign Application Priority Data**

Mar. 22, 2001 (AU) 944/2001

(51) **LOC (7) Cl.** **14-03**

(52) **U.S. Cl.** **D14/230**

(58) **Field of Search** D14/230-238;
343/700 R, 878, 879, 781 R, 781 P, 840,
753-755, 832, DIG. 2, 775, 882; 455/90,
347, 128, 562; 342/352, 368, 375

(56) **References Cited**

U.S. PATENT DOCUMENTS

D175,207 S * 7/1955 Ball et al. D14/231

2,877,459 A * 3/1959 Brown et al. 343/882
3,170,158 A * 2/1965 Rothman 343/352
5,202,700 A * 4/1993 Miller 343/840
5,686,923 A * 11/1997 Schaller 342/352

* cited by examiner

Primary Examiner—Louis S. Zarfes
Assistant Examiner—Deanne Levy
(74) *Attorney, Agent, or Firm*—Ladas & Parry

(57) **CLAIM**

The ornamental design for a multibeam antenna, as shown and described.

DESCRIPTION

FIG. 1 is a front perspective view of a multibeam antenna showing our new design;

FIG. 2 is a rear perspective view thereof;

FIG. 3 is a front plan view thereof;

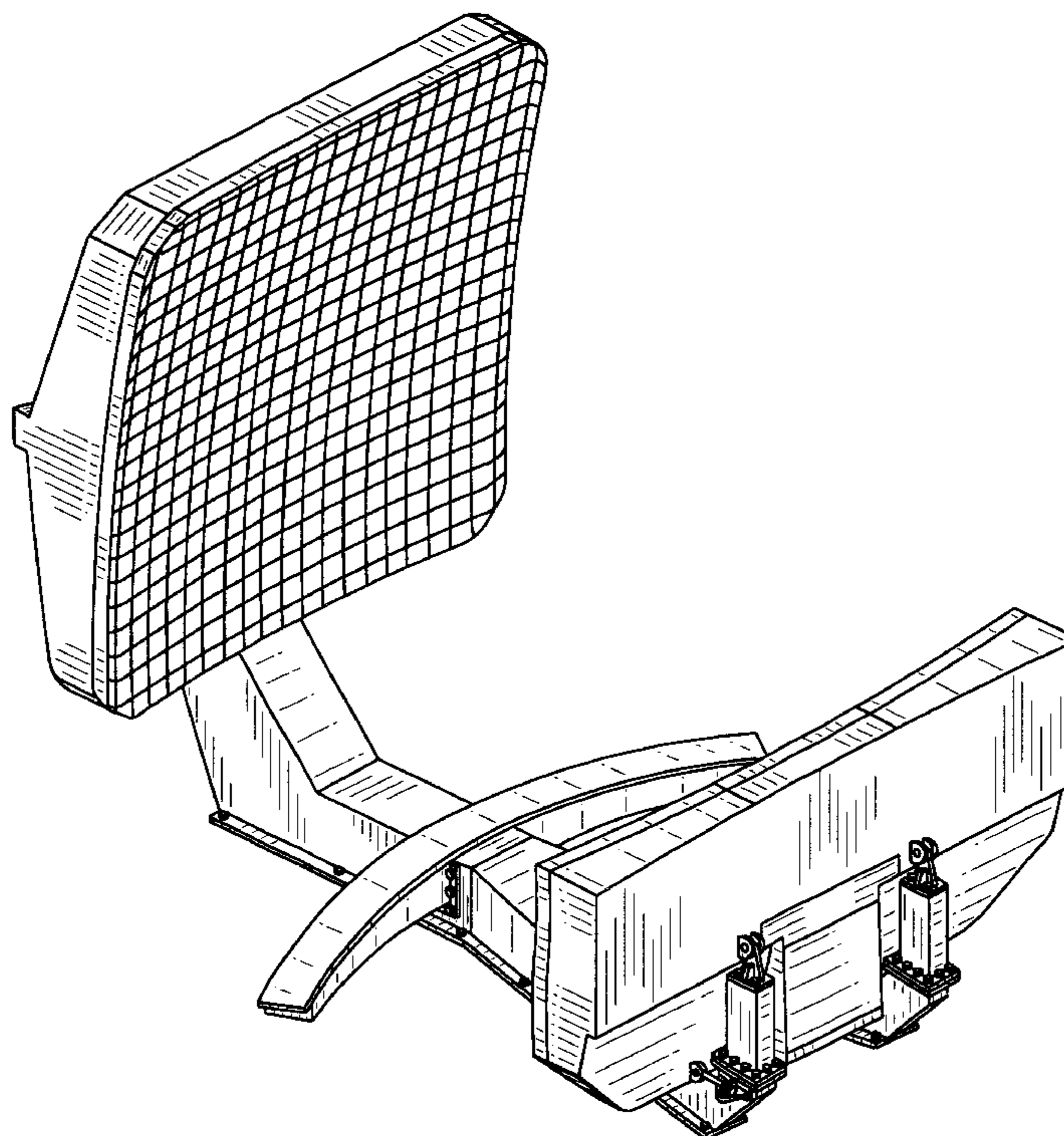
FIG. 4 is a rear plan view thereof;

FIG. 5 is a left plan view, the right plan view being a mirror image thereof;

FIG. 6 is a top plan view thereof; and,

FIG. 7 is a front perspective view of the multibeam antenna shown in FIG. 1, the broken line showing of the feed horns is for environment only and forms no part of the claimed design.

1 Claim, 6 Drawing Sheets



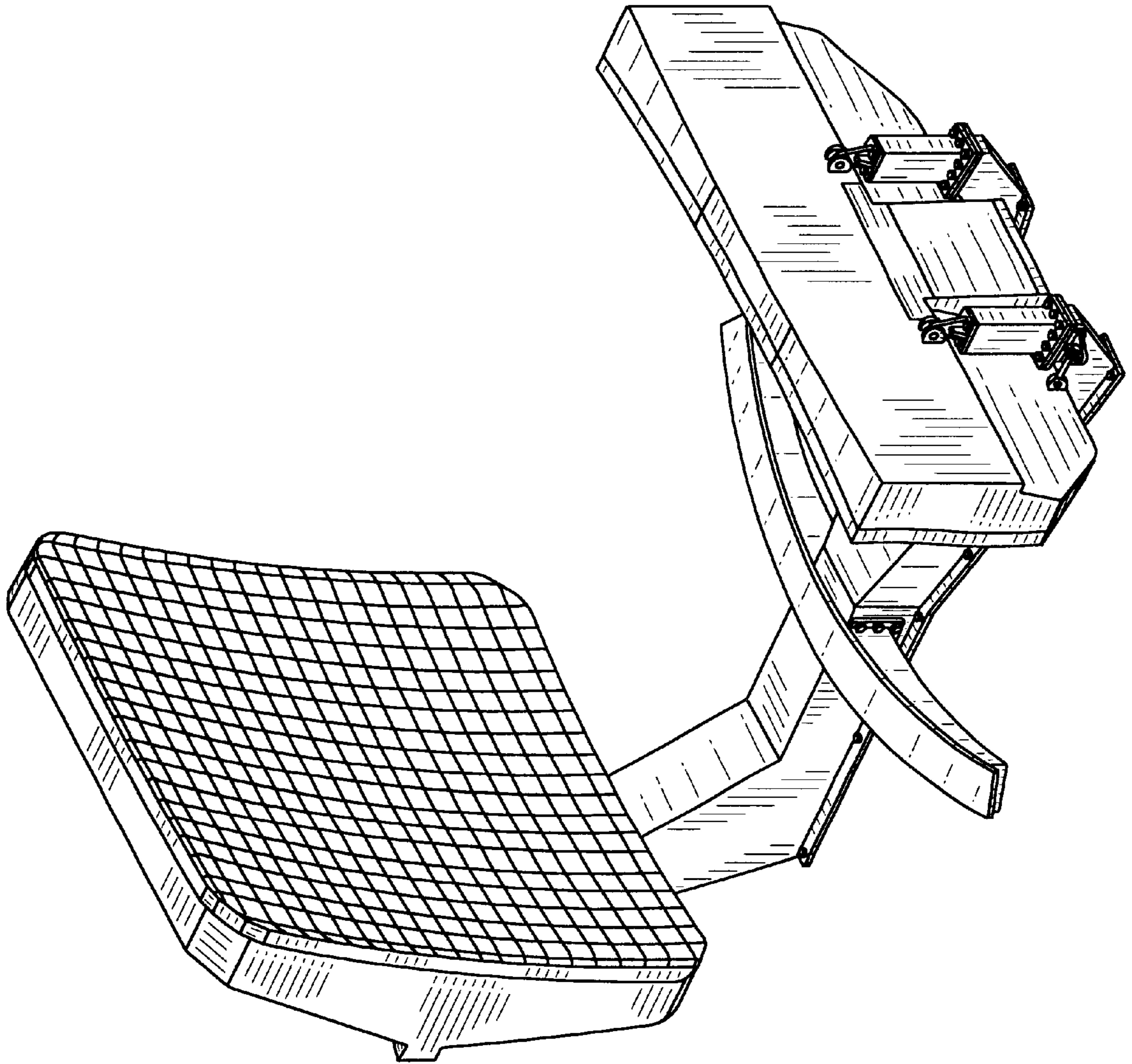


FIG. 1

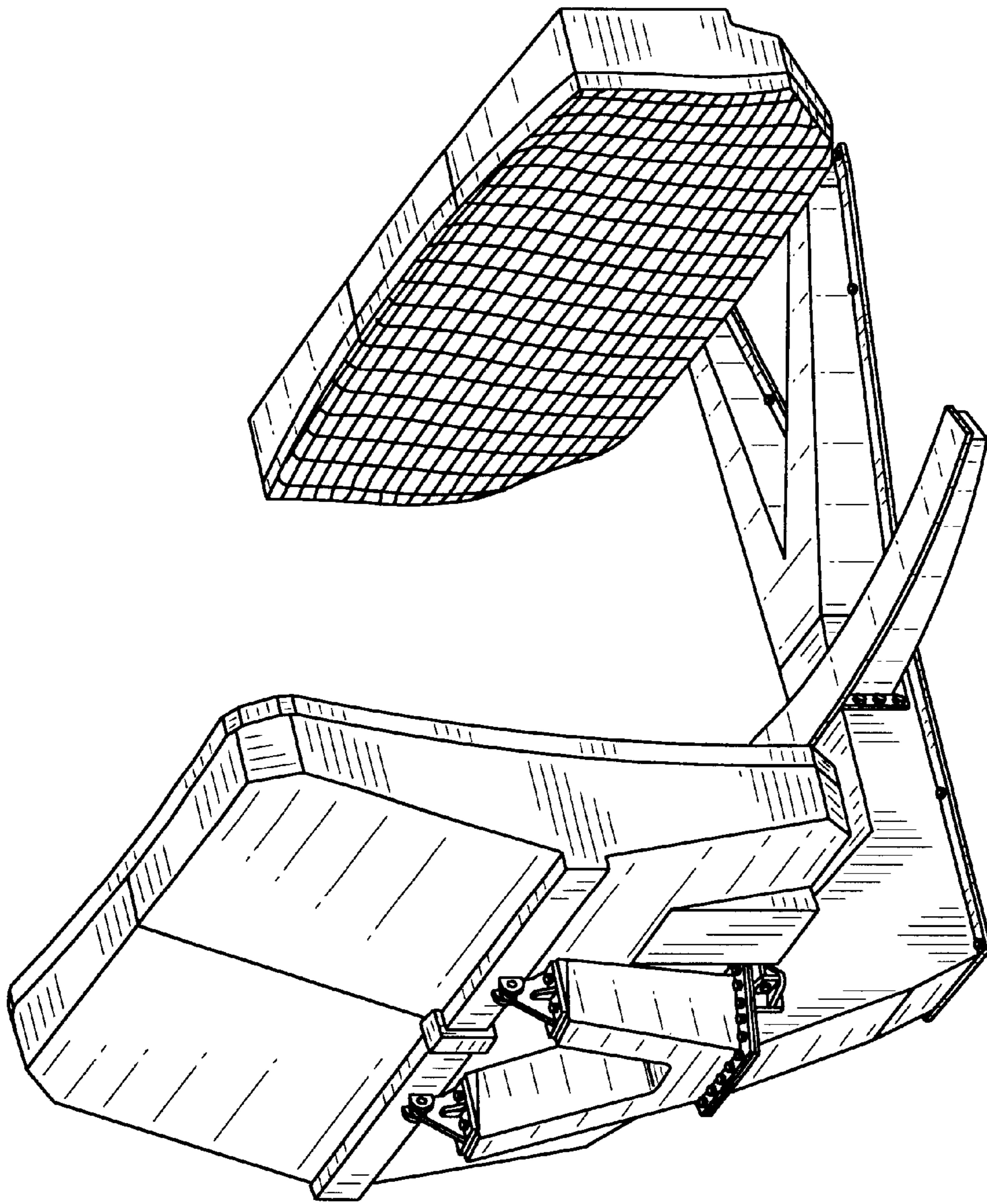


FIG. 2

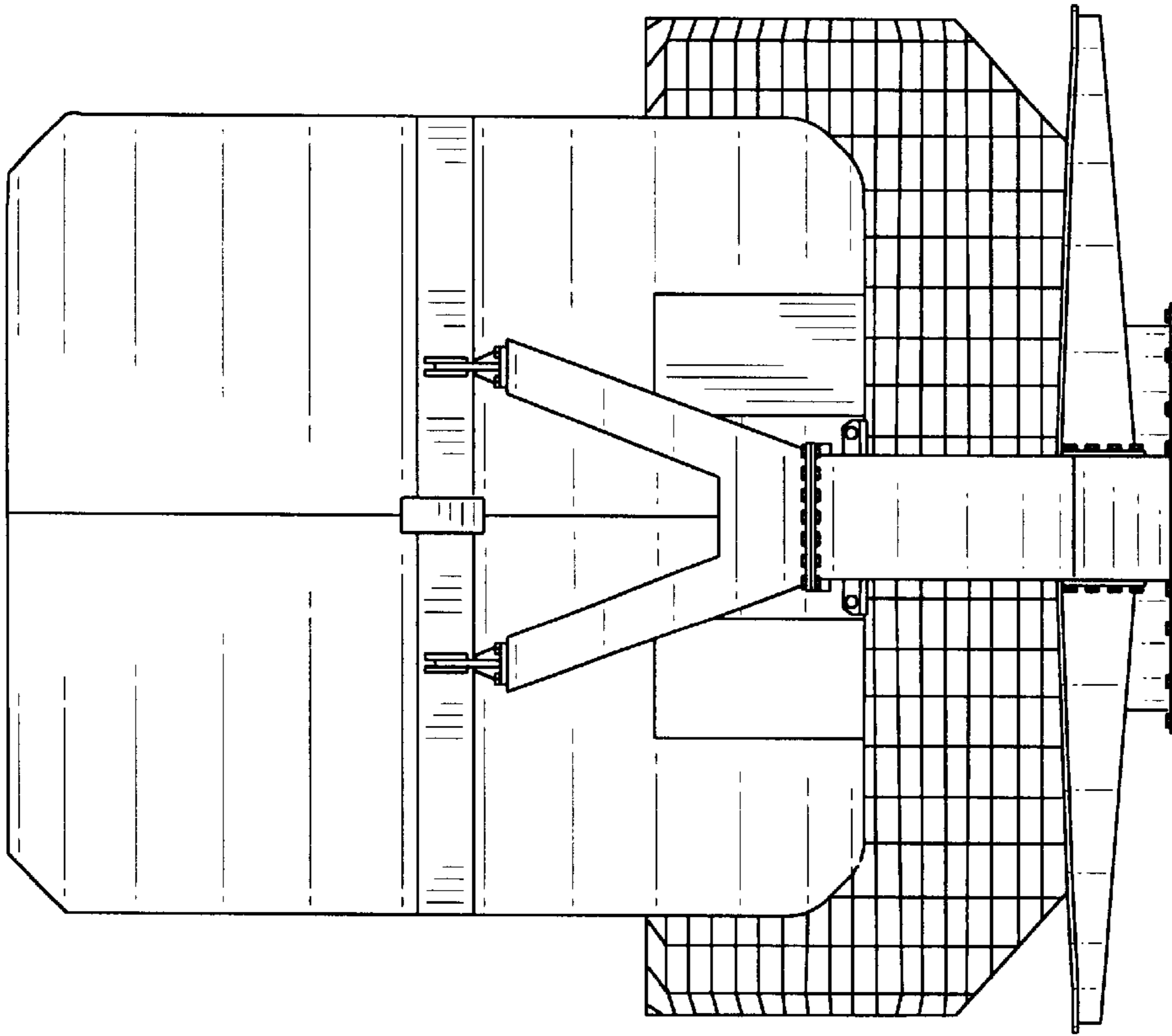


FIG. 4

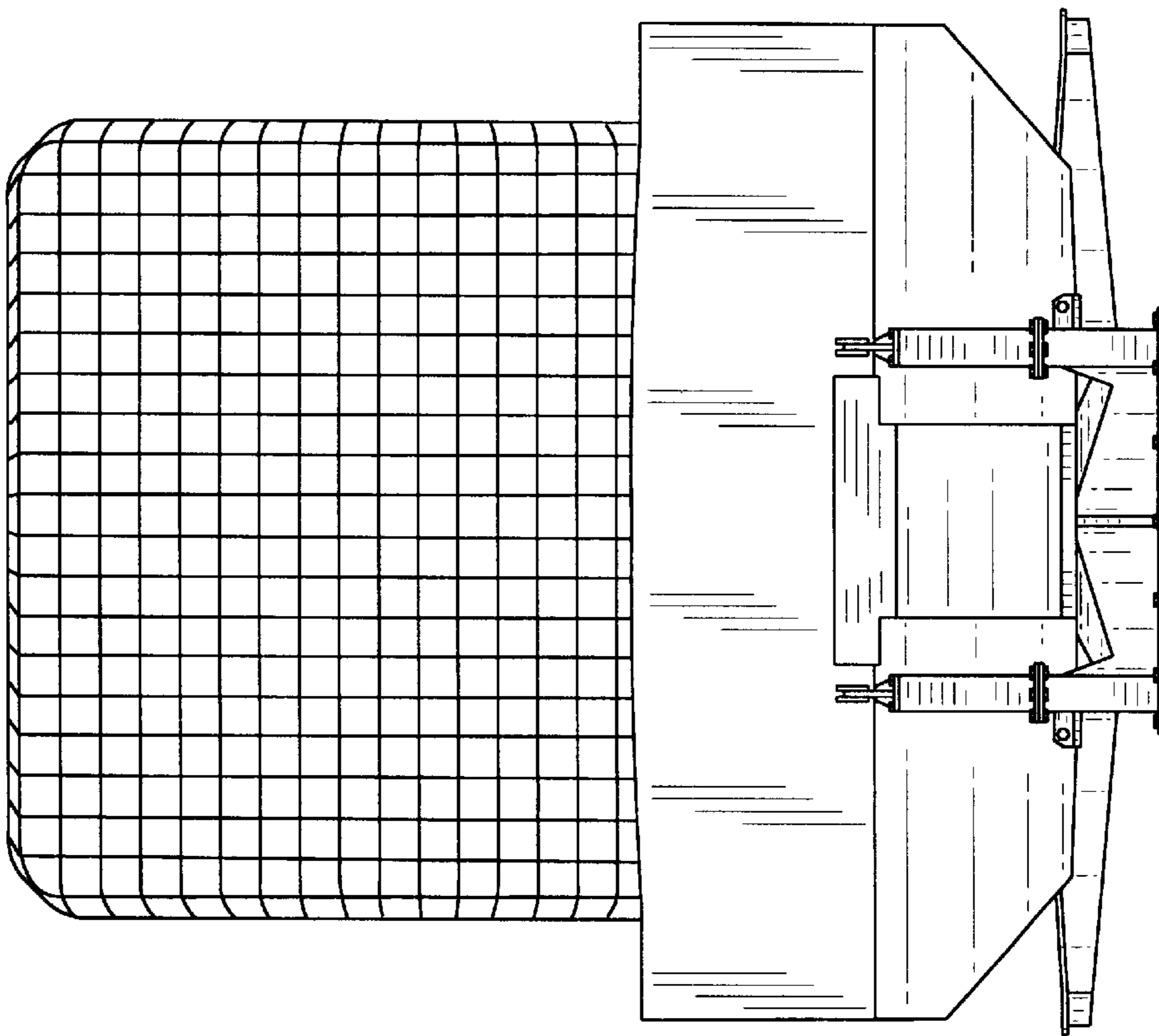


FIG. 3

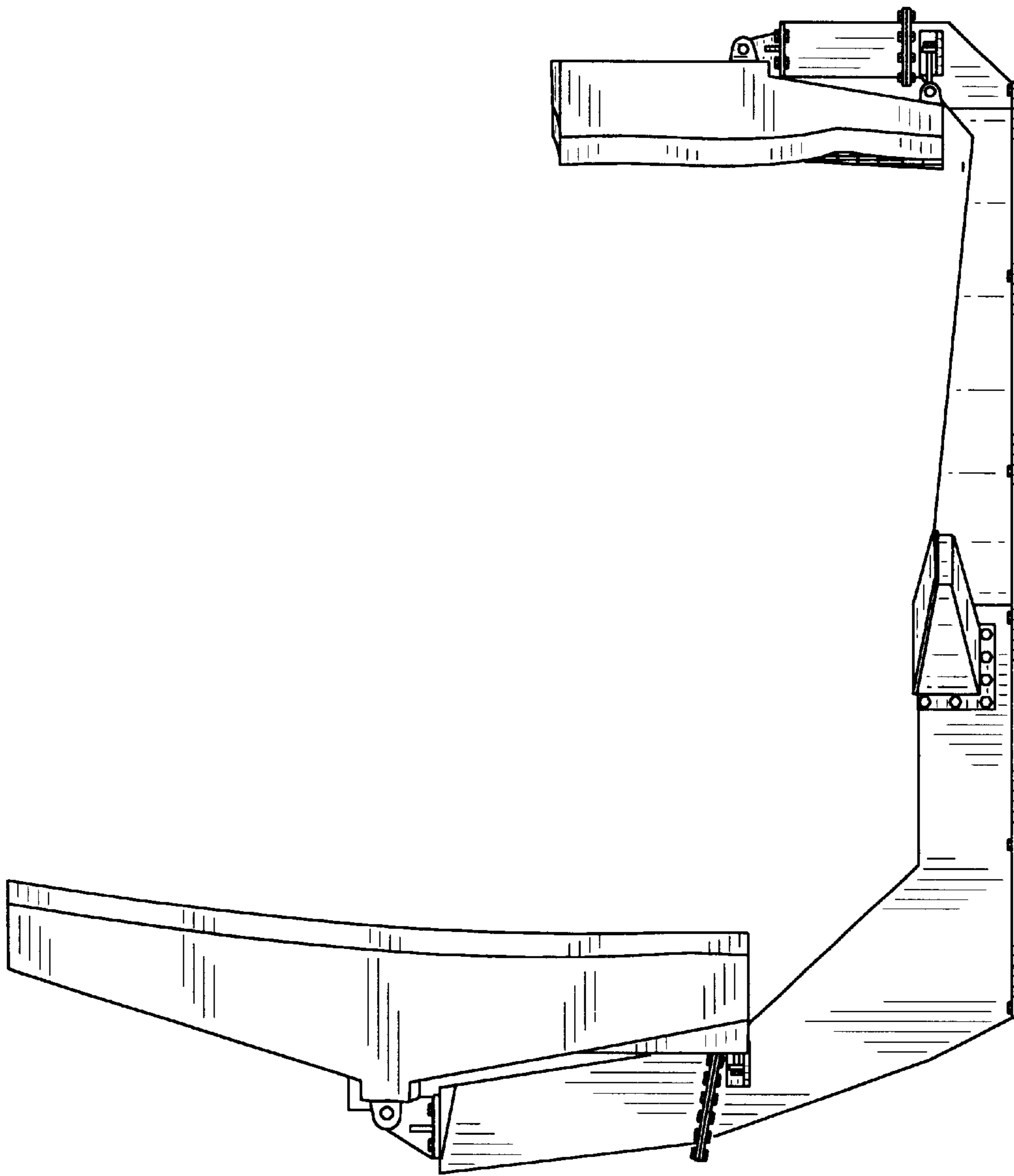


FIG. 5

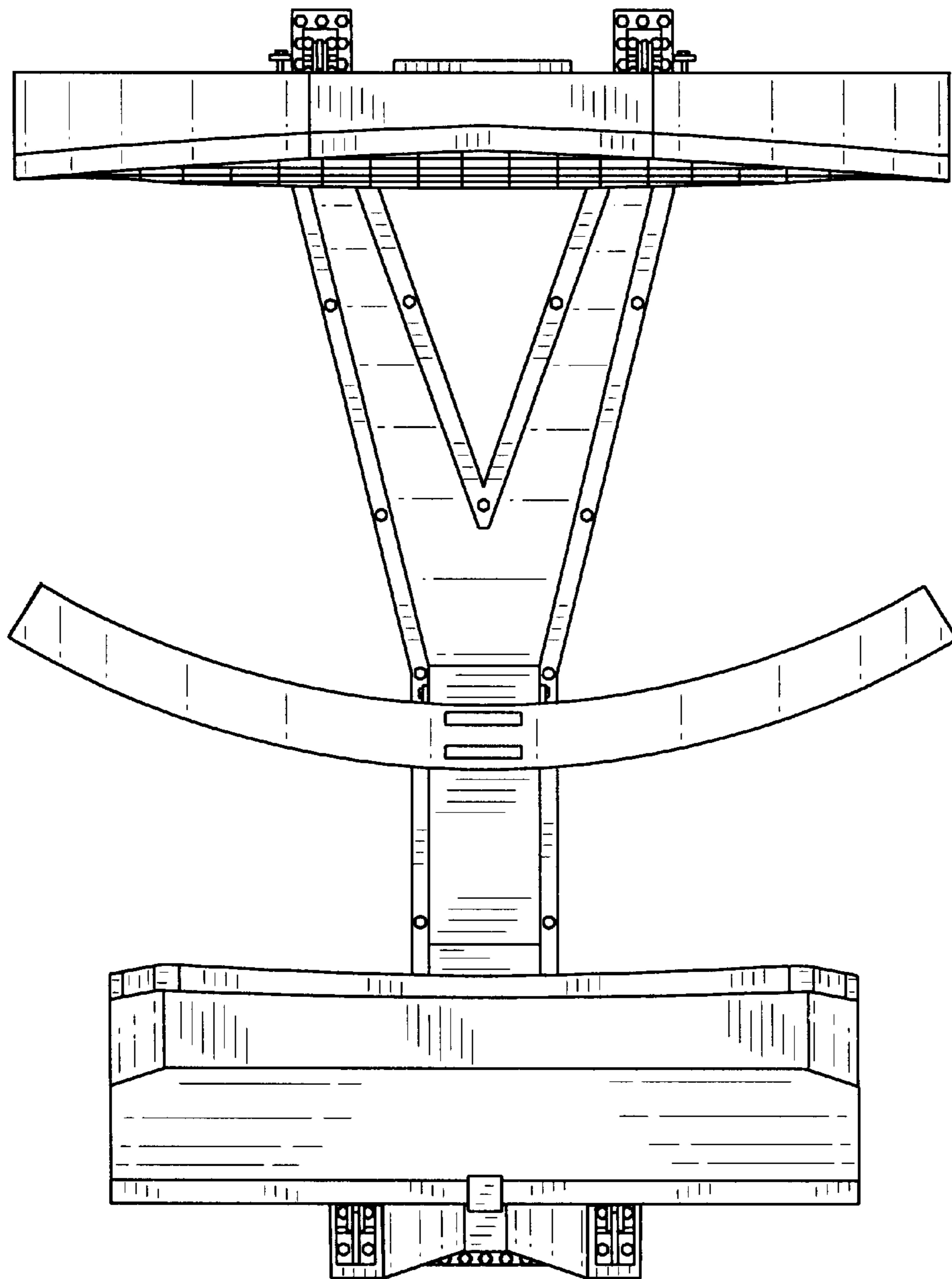


FIG. 6

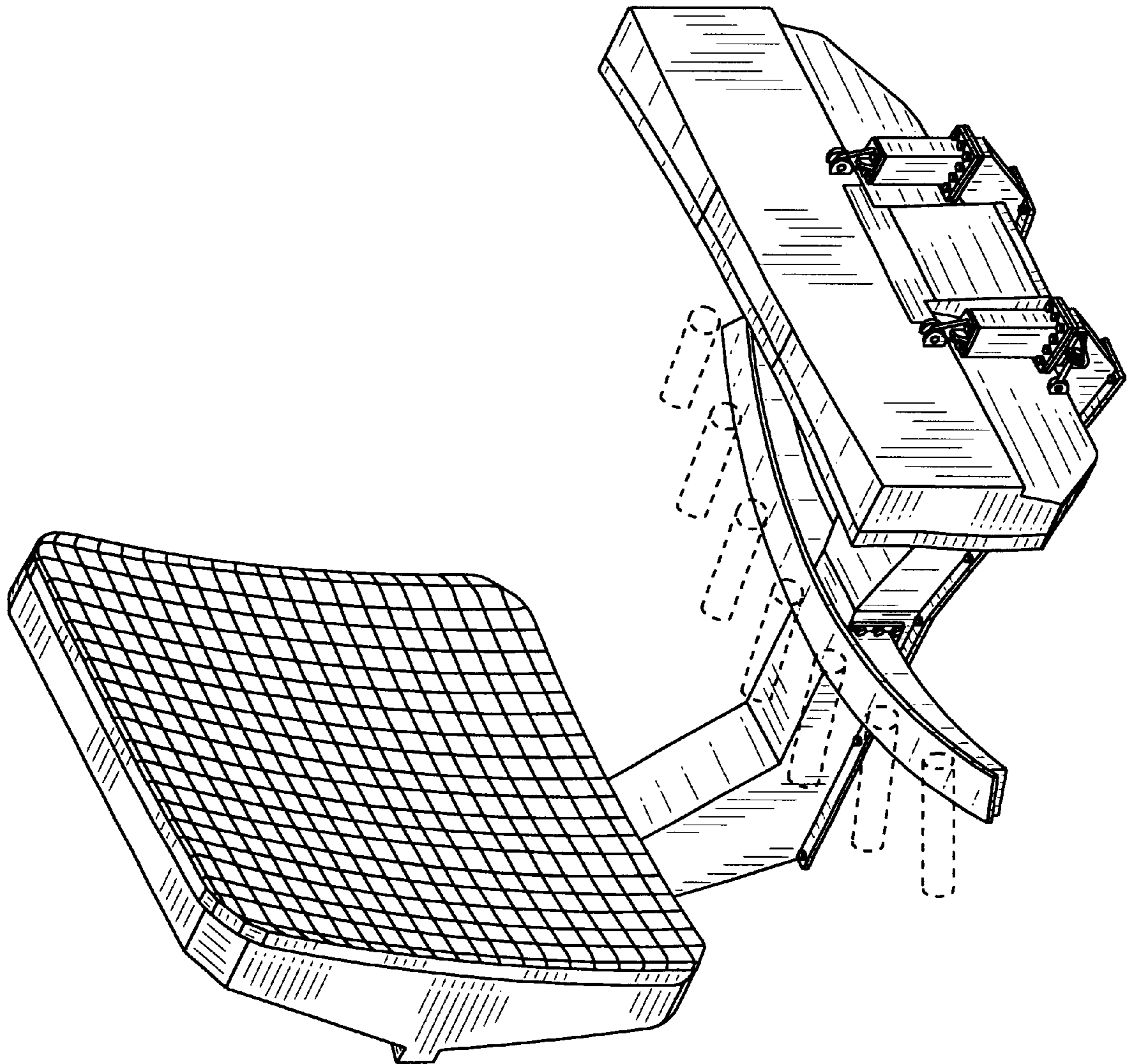


FIG. 7