



US00D471536S

(12) **United States Design Patent**  
**Rath et al.**

(10) **Patent No.:** **US D471,536 S**

(45) **Date of Patent:** **\*\* Mar. 11, 2003**

(54) **FLIP OPEN HEADSET**

(75) Inventors: **Klaus Rath**, Gentofte (DK); **Charles L. Pedersen**, Virum (DK); **Ian Smith**, Merrimack, NH (US); **Stephen Lyman**, Hudson, NH (US); **Martin Bodley**, Sudbury, MA (US)

(73) Assignee: **GN Netcom A/S** (DK)

(\*\*) Term: **14 Years**

(21) Appl. No.: **29/159,833**

(22) Filed: **Apr. 29, 2002**

**Related U.S. Application Data**

(62) Division of application No. 29/138,757, filed on Mar. 19, 2001.

(51) **LOC (7) Cl.** ..... **14-01**

(52) **U.S. Cl.** ..... **D14/223; D14/206**

(58) **Field of Search** ..... D14/205, 206, D14/223, 188, 192; 181/129, 130; 379/430, 433; 381/370, 376, 377, 378, 379, 380, 381, 330, 323

(56) **References Cited**

**U.S. PATENT DOCUMENTS**

3,209,080 A \* 9/1965 Gutner et al. .... 381/330  
4,020,297 A \* 4/1977 Brodie ..... 379/430  
4,335,281 A \* 6/1982 Scott et al. .... 379/430  
5,210,791 A 5/1993 Krasik  
5,359,647 A 10/1994 Regen et al.  
5,504,812 A 4/1996 Vangarde  
D388,437 S \* 12/1997 Inukai ..... D14/223

5,787,166 A 7/1998 Ullman  
D403,327 S \* 12/1998 Landreth et al. .... D14/223  
5,982,764 A 11/1999 Palermo et al.  
D421,755 S \* 3/2000 Pitel ..... D14/223 X  
6,101,260 A 8/2000 Jensen et al.  
D436,095 S \* 1/2001 Schmidt et al. .... D14/206  
D439,890 S 4/2001 Skulley et al.  
D443,261 S \* 6/2001 Yuyama ..... D14/223  
D445,415 S \* 7/2001 Jaakkola ..... D14/223  
6,269,259 B1 7/2001 Lai  
D447,743 S \* 9/2001 Ma ..... D14/223  
6,295,366 B1 9/2001 Haller et al.  
D455,417 S \* 4/2002 Bey et al. .... D14/223

**FOREIGN PATENT DOCUMENTS**

DE 29808425 9/1998  
DE 29908529 8/1999

**OTHER PUBLICATIONS**

Ericsson Bluetooth Wireless Headset, photo take from e-mobilecenter.com web site not dated.

\* cited by examiner

*Primary Examiner*—Paula A. Mortimer  
(74) *Attorney, Agent, or Firm*—Altera Law Group, LLC

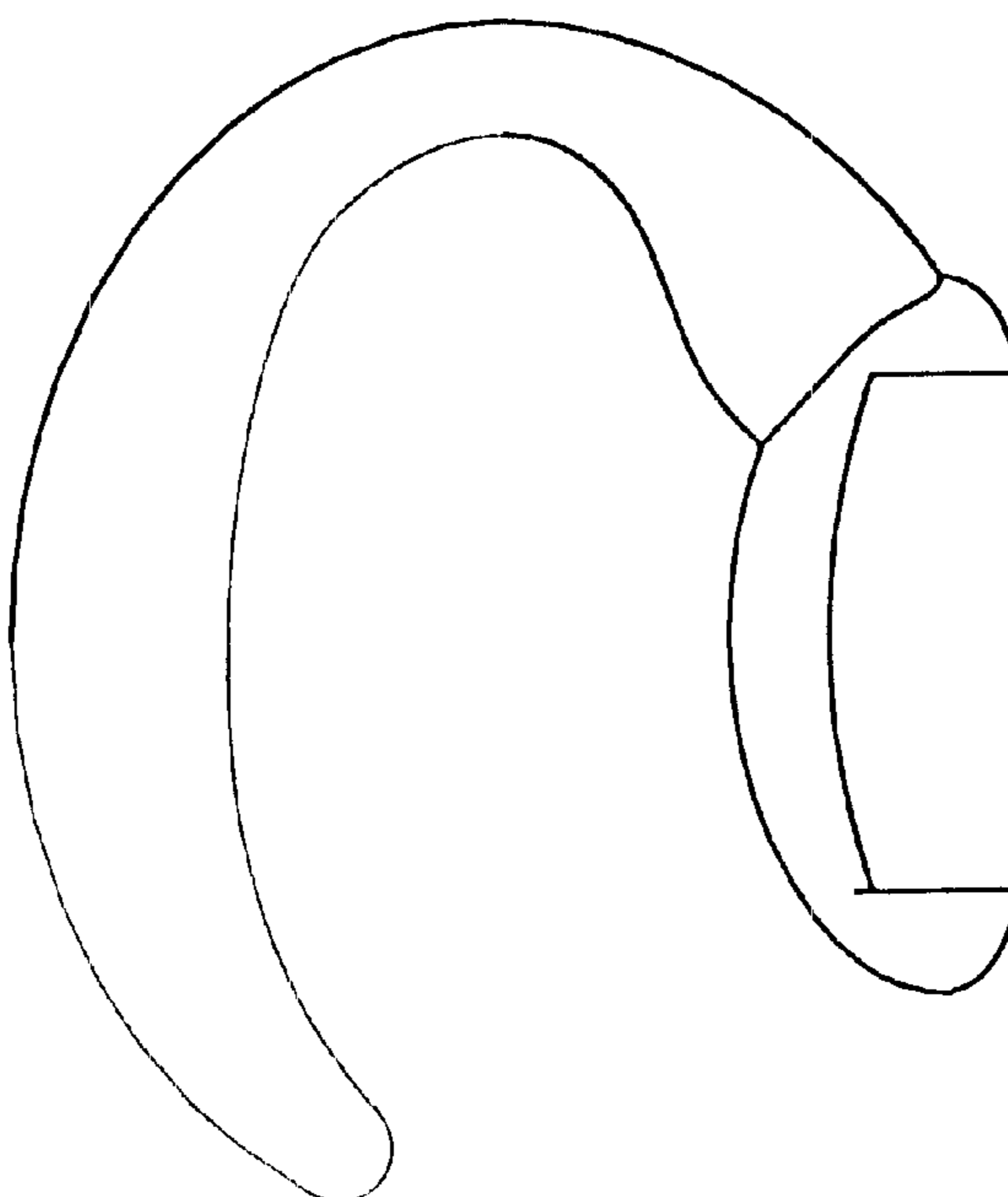
(57) **CLAIM**

The ornamental design for flip open headset , as shown and described.

**DESCRIPTION**

FIG. 1 is a perspective view of earhook for flip open headset; FIG. 2 is a top view thereof; FIG. 3 is a bottom view thereof; and, FIG. 4 is a side view thereof.

**1 Claim, 3 Drawing Sheets**



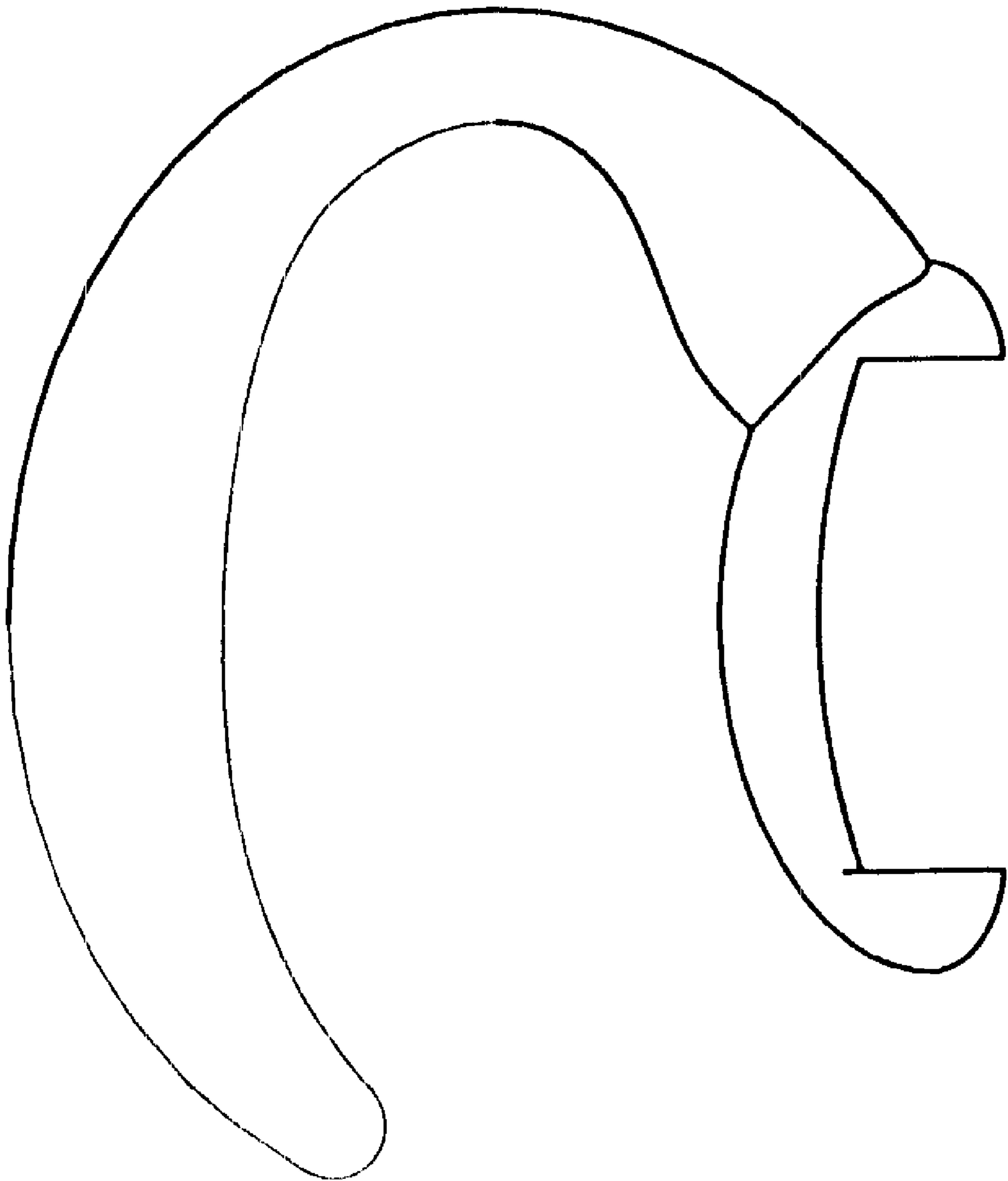


FIGURE 1



FIGURE 2

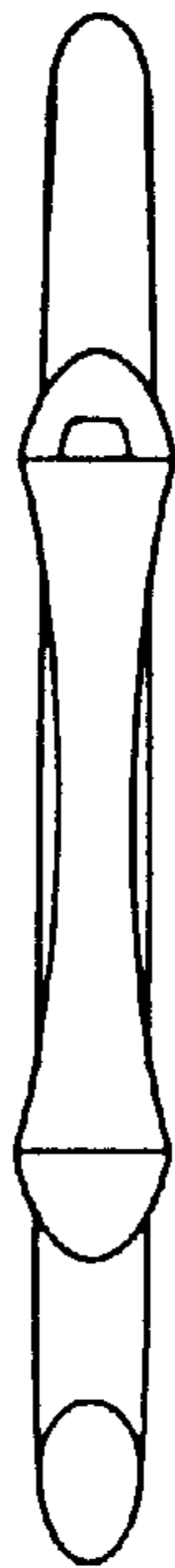


FIGURE 3

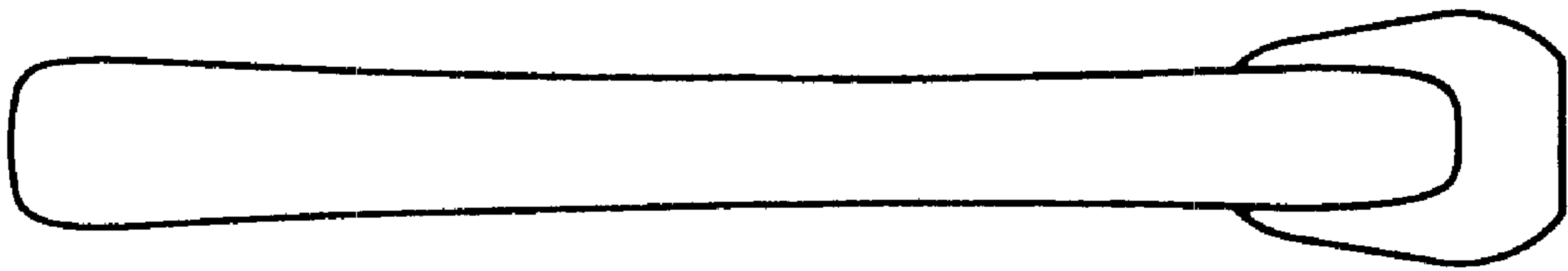


FIGURE 4