



US00D471527S

(12) **United States Design Patent**
Yamanouchi et al.

(10) **Patent No.:** **US D471,527 S**

(45) **Date of Patent:** **** Mar. 11, 2003**

(54) **TELEPHONE**

(75) Inventors: **Toshiyuki Yamanouchi**, Yokohama-chi (JP); **Koji Nagase**, Hachioji (JP)

(73) Assignee: **Kabushiki Kaisha Toshiba**, Tokyo (JP)

(**) Term: **14 Years**

(21) Appl. No.: **29/160,228**

(22) Filed: **May 8, 2002**

(30) **Foreign Application Priority Data**

Dec. 25, 2001 (JP) 2001-037866

(51) **LOC (7) Cl.** **14-03**

(52) **U.S. Cl.** **D14/151**

(58) **Field of Search** D14/434, 329, D14/330, 447, 148, 147, 149-151, 140-142, 240, 241, 251, 253, 130; 379/420.01, 420.02, 420.03, 419, 420.04, 428.02, 428.01, 428.04, 428.03, 454, 440, 446, 434-436; D13/107, 108; 320/110, 113, 114, 115

(56) **References Cited**

U.S. PATENT DOCUMENTS

- D257,772 S * 1/1981 Fukutani D14/151
- D270,836 S * 10/1983 Breger D14/151
- D273,108 S * 3/1984 Breger D14/151
- D287,361 S * 12/1986 Sekiguchi et al. D14/151
- D298,130 S * 10/1988 Komatsu D14/151
- D303,386 S * 9/1989 Iino D14/142
- D307,145 S * 4/1990 Oshima et al. D14/241
- 5,121,427 A * 6/1992 Gumb et al. 379/435
- D328,295 S * 7/1992 Gagnon et al. D14/142
- D328,296 S * 7/1992 Yan D14/151

- D342,252 S * 12/1993 Akatsu et al. D14/151
- D345,557 S * 3/1994 Akatsu et al. D14/151
- D389,145 S * 1/1998 Yoneyama D14/151
- D395,308 S 6/1998 Yoneyama
- D412,330 S * 7/1999 Shigemura D14/151
- D426,535 S * 6/2000 Zeitman D14/151
- D433,399 S * 11/2000 Seki et al. D14/151
- D445,772 S * 7/2001 Fitzgerald D14/151
- D452,489 S * 12/2001 Nagase D14/151
- D457,509 S * 5/2002 Ohwada et al. D14/151
- D458,599 S 6/2002 Nagase
- D460,954 S * 7/2002 Shen et al. D14/151

FOREIGN PATENT DOCUMENTS

| | | |
|----|--------|--------|
| JP | 952743 | 5/1996 |
| JP | 971798 | 1/1997 |

* cited by examiner

Primary Examiner—Jeffrey Asch
(74) *Attorney, Agent, or Firm*—Banner & Witcoff, Ltd.

(57) **CLAIM**

The ornamental design for a telephone, as shown and described.

DESCRIPTION

FIG. 1 is a top, front and right side perspective view of a telephone showing our new design, FIG. 2 is a front elevational view thereof, FIG. 3 is a top plan view thereof, FIG. 4 is a bottom plan view thereof, FIG. 5 is a right side elevational view thereof, FIG. 6 is a left side elevational view thereof; and, FIG. 7 is a rear elevational view thereof.

1 Claim, 4 Drawing Sheets

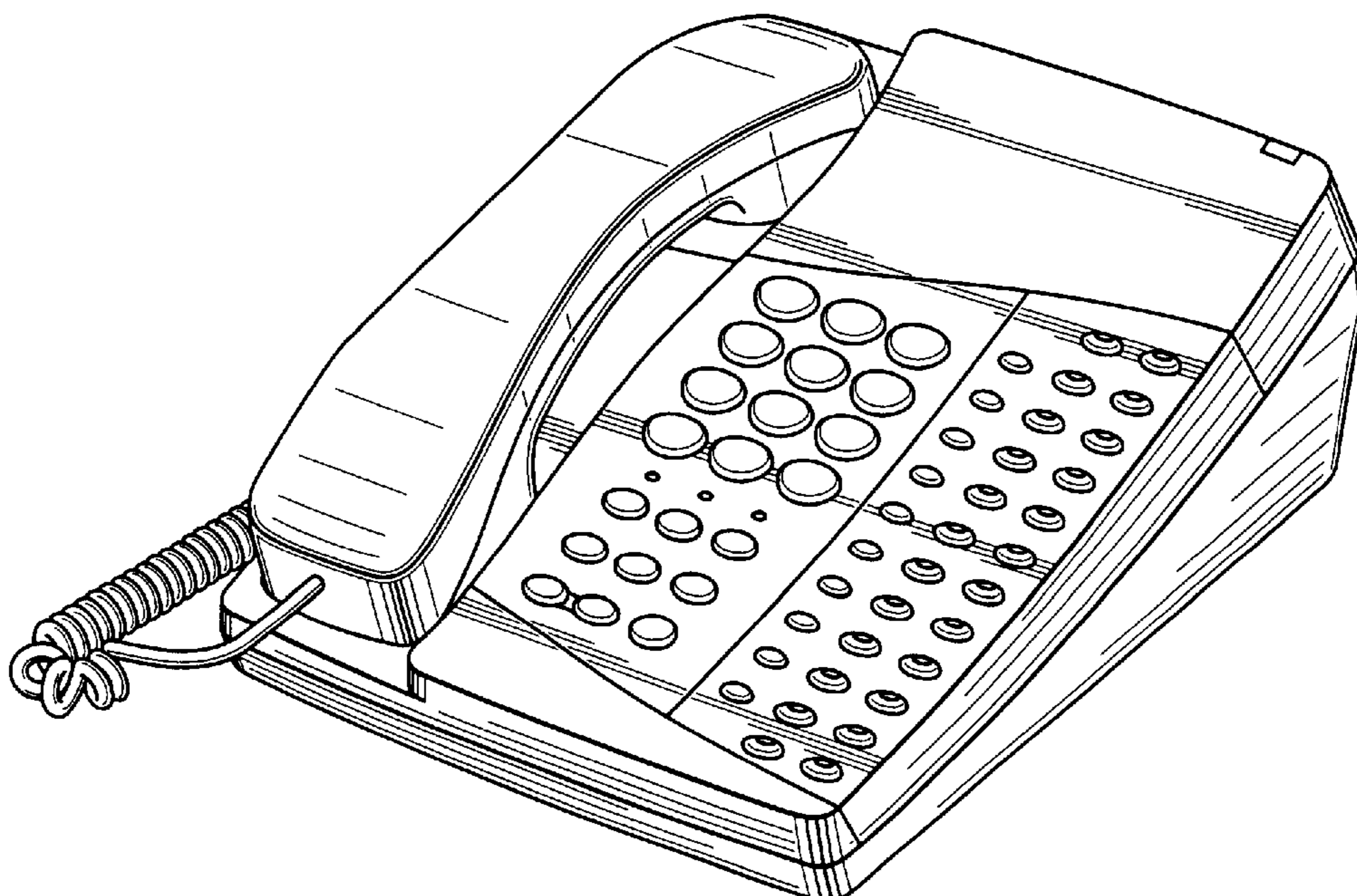


FIG. 1

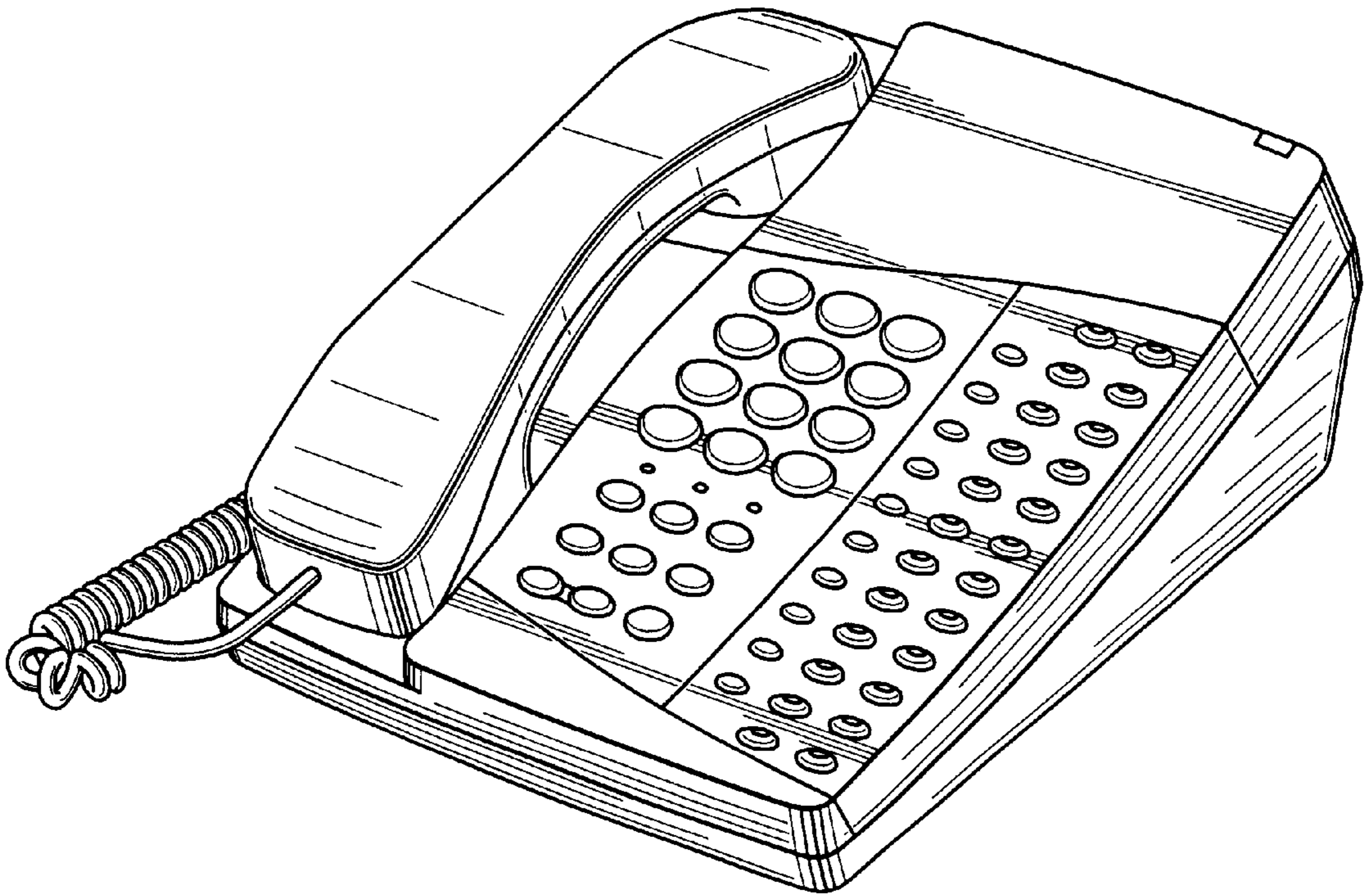


FIG. 2

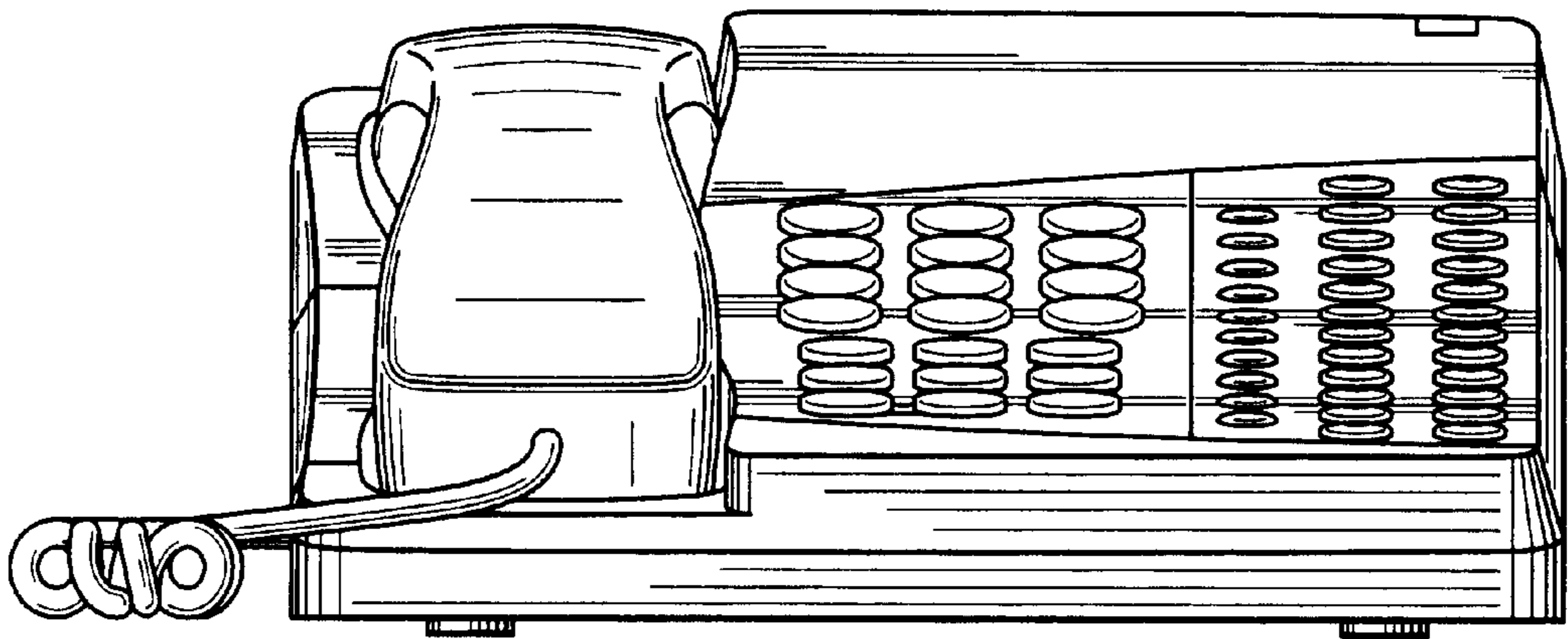


FIG. 3

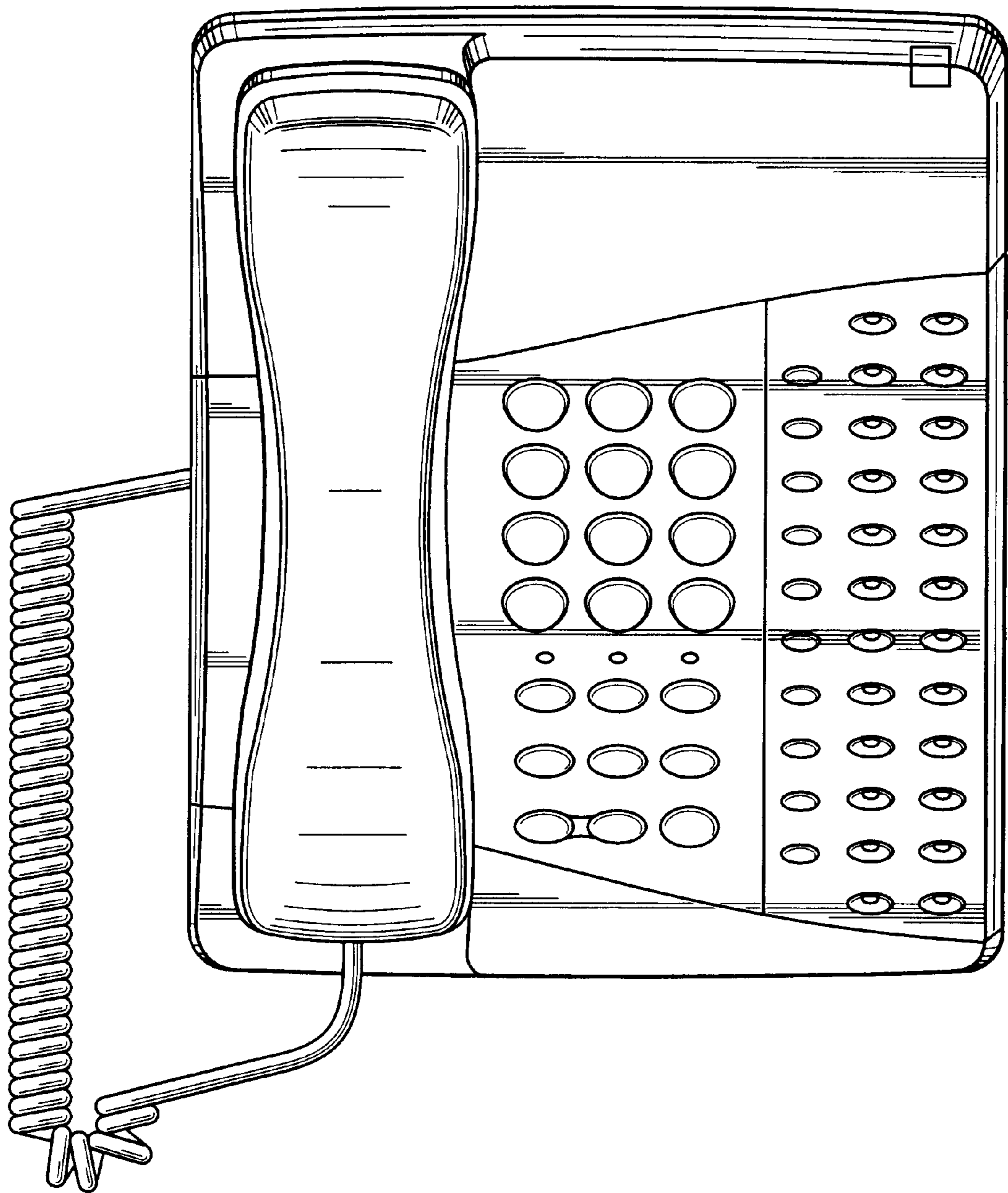


FIG. 4

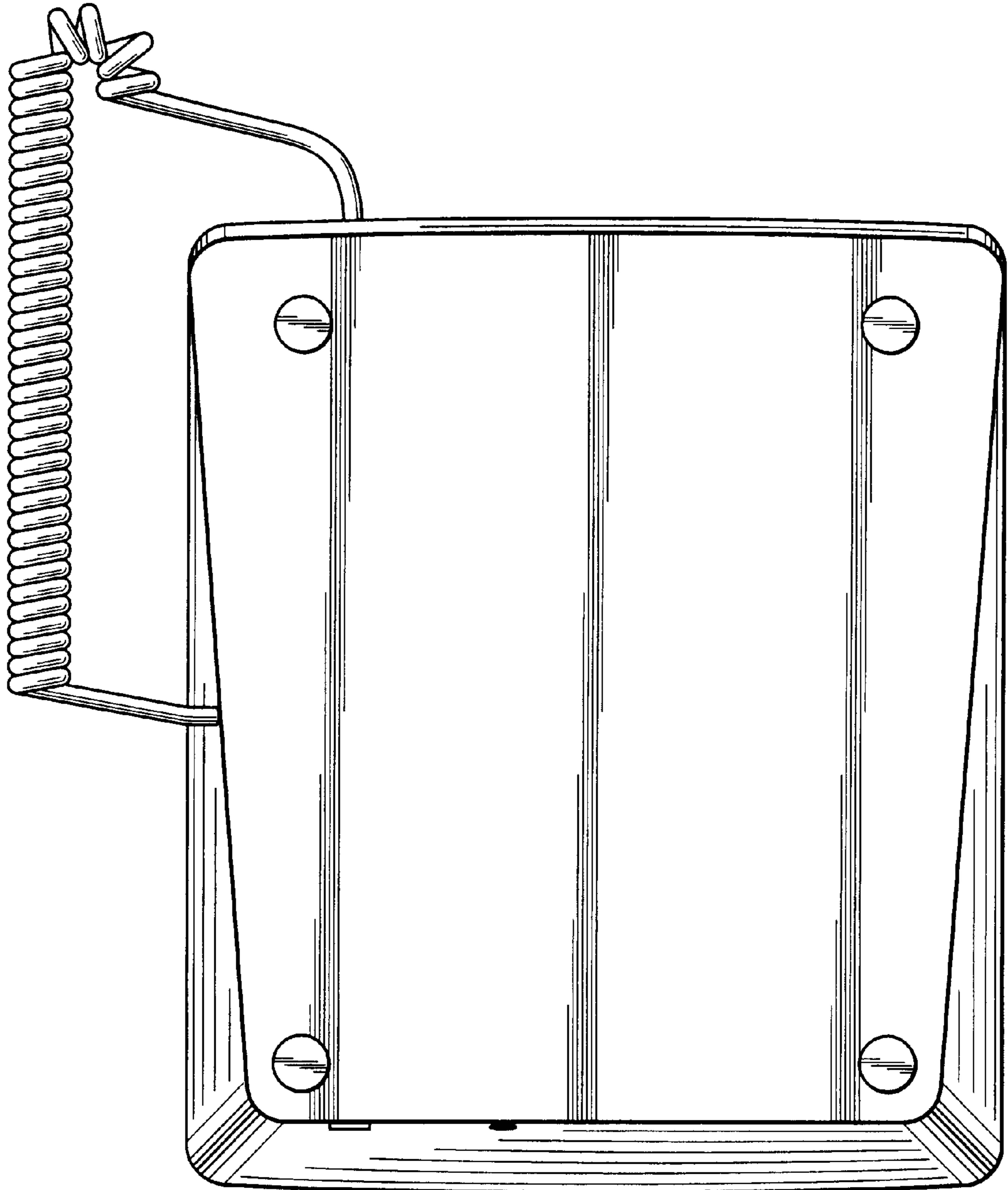


FIG. 5

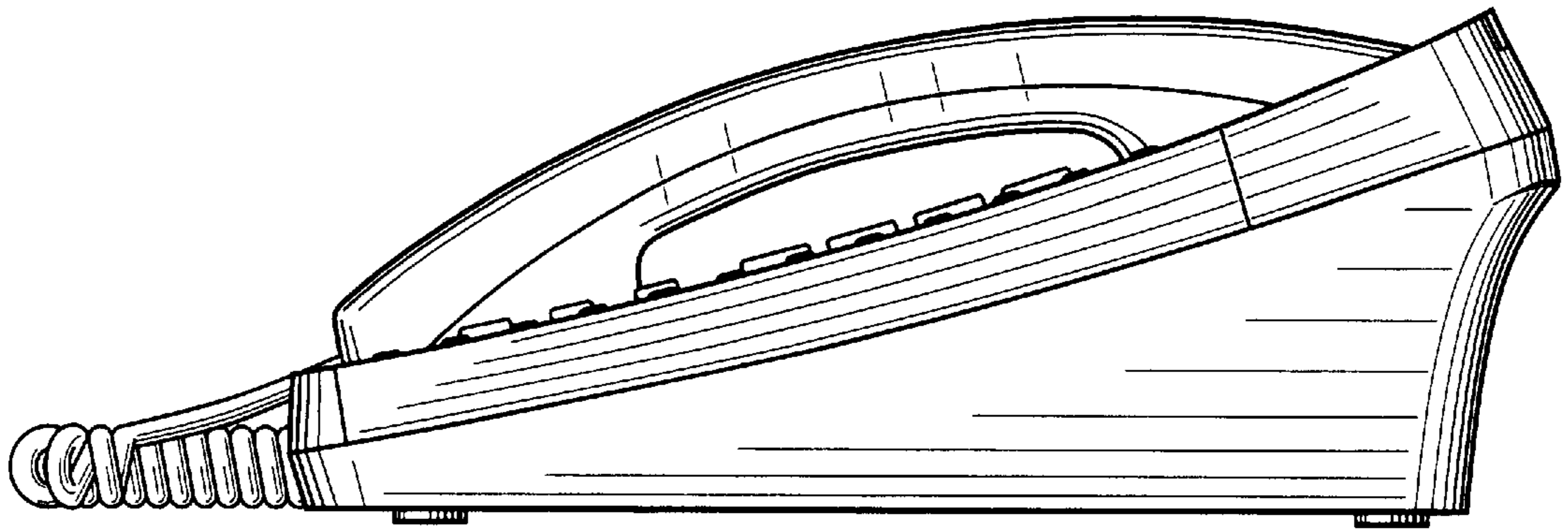


FIG. 6

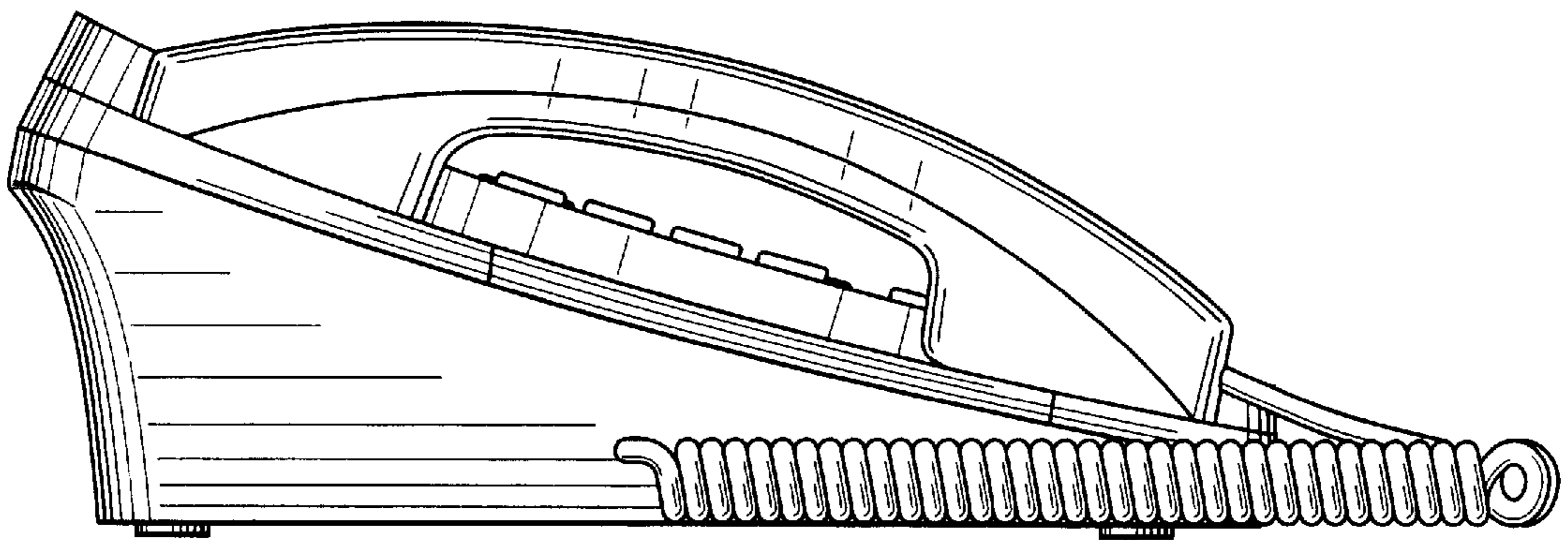


FIG. 7

