



US00D471525S

(12) **United States Design Patent**  
**Tse**

(10) **Patent No.:** **US D471,525 S**

(45) **Date of Patent:** **\*\* Mar. 11, 2003**

(54) **TELEVISION SET WITH ELECTRIC TORCH**

*Primary Examiner*—Raphael Barkai

(75) **Inventor:** **Po Yu Tse, Hong Kong (HK)**

(57) **CLAIM**

(73) **Assignee:** **T C U (Hong Kong) Limited, Shaukeiwan (HK)**

The ornamental design for a television set with electric torch, as shown.

(\*\*) **Term:** **14 Years**

**DESCRIPTION**

(21) **Appl. No.:** **29/167,264**

The claimed television set with electric torch is used for displaying television images and providing light. It is installed with a radio receiving device, a compass, a thermometer and an alarm clock. It is portable especially for use in outdoor.

(22) **Filed:** **Sep. 6, 2002**

(51) **LOC (7) Cl.** ..... **14-03**

(52) **U.S. Cl.** ..... **D14/129; D26/38**

(58) **Field of Search** ..... **D14/125-134; D26/38, 42, 51, 52; 312/7.2; 348/825, 836, 838**

FIG. 1 is a front elevational view of a television set with electric torch showing my new design;

FIG. 2 is a rear elevational view thereof;

FIG. 3 is a top plan view thereof;

FIG. 4 is a bottom plan view thereof;

FIG. 5 is a right side elevational view thereof; and,

FIG. 6 is a left side elevational view thereof.

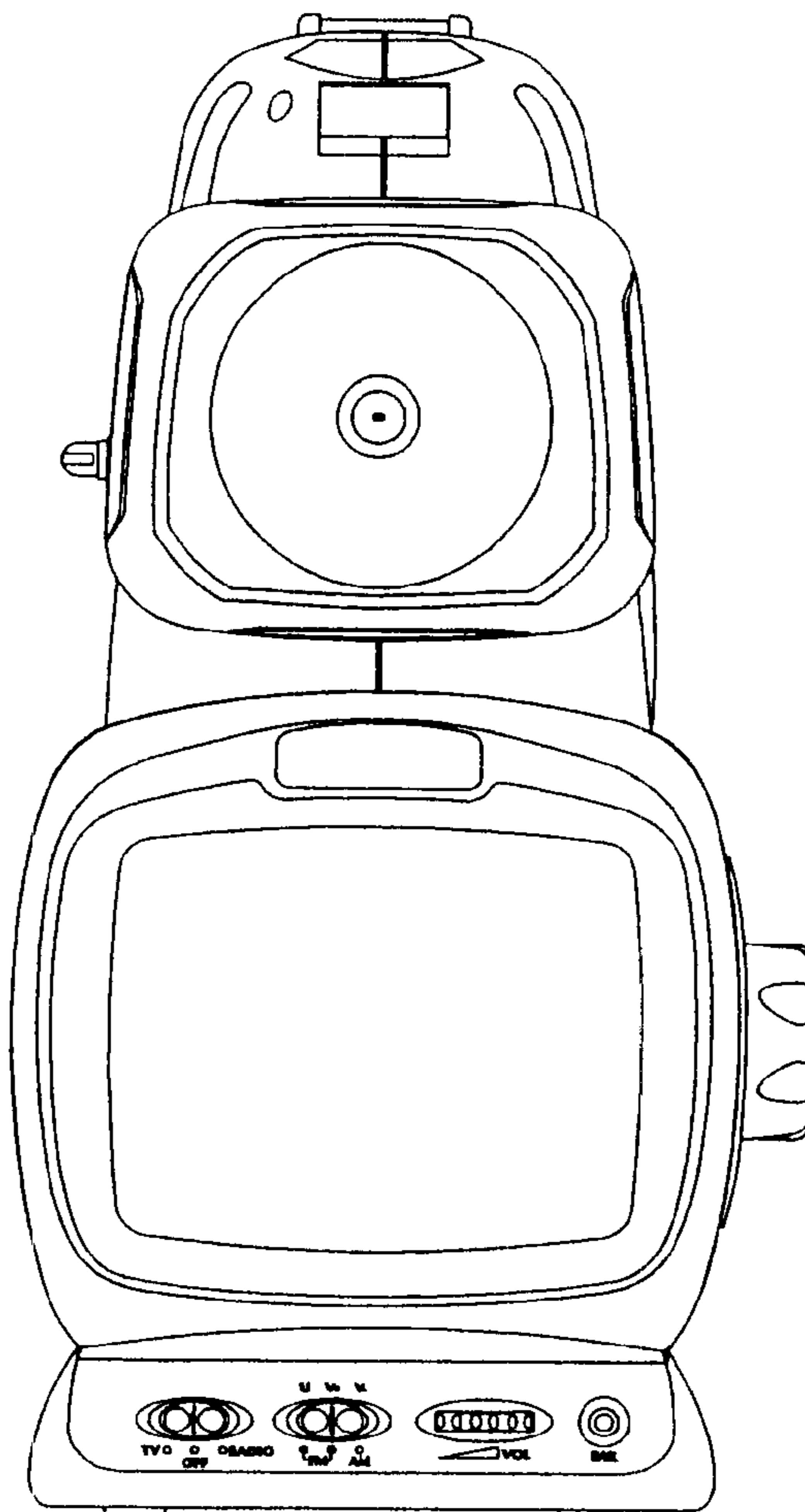
(56) **References Cited**

**U.S. PATENT DOCUMENTS**

- D214,290 S \* 5/1969 Miklas
- D283,419 S \* 4/1986 Johnson ..... D26/52
- D354,054 S \* 1/1995 Suitama ..... D14/129
- D371,356 S \* 7/1996 Maruyama ..... D26/38

\* cited by examiner

**1 Claim, 2 Drawing Sheets**



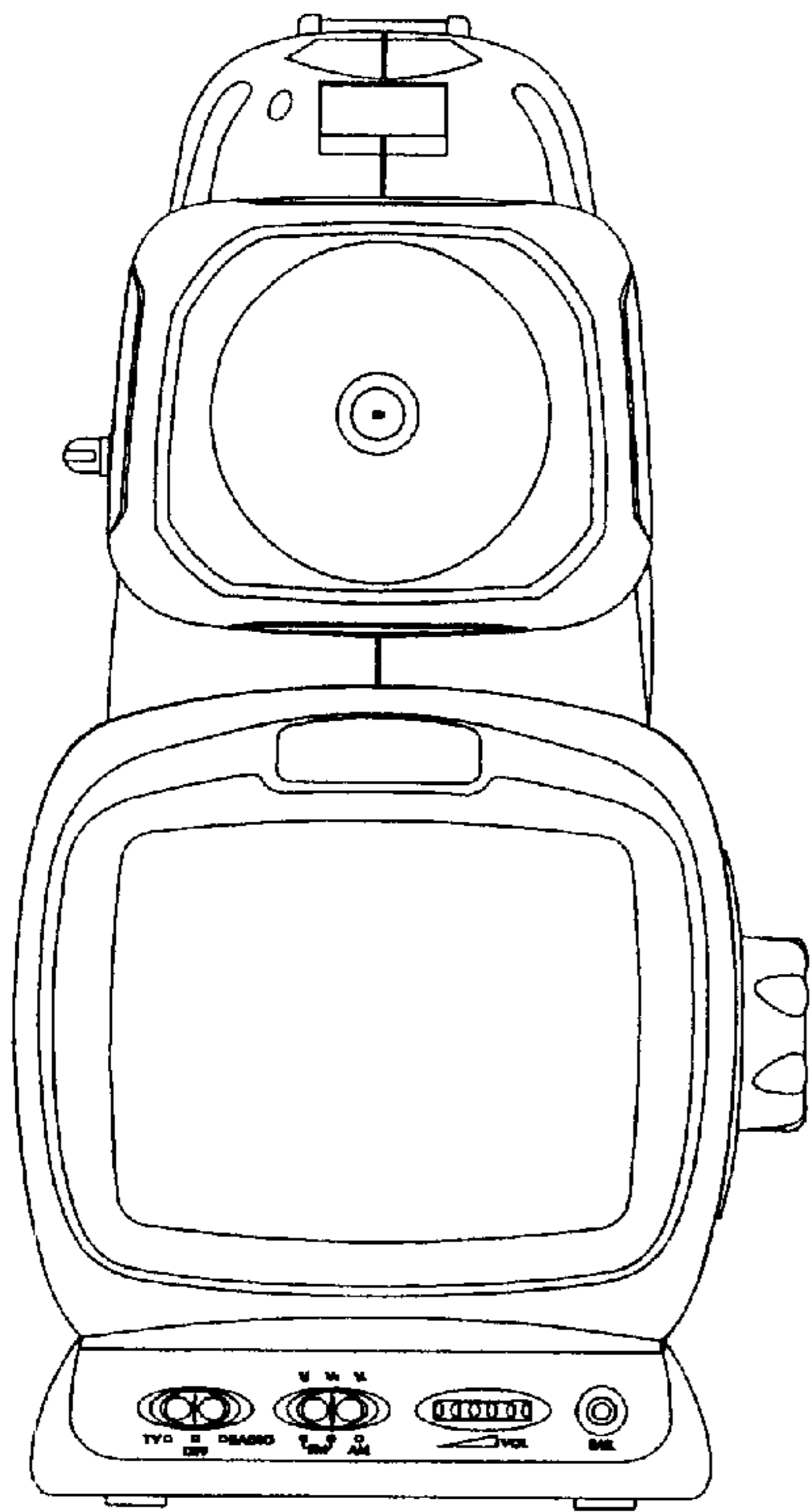


FIG. 1

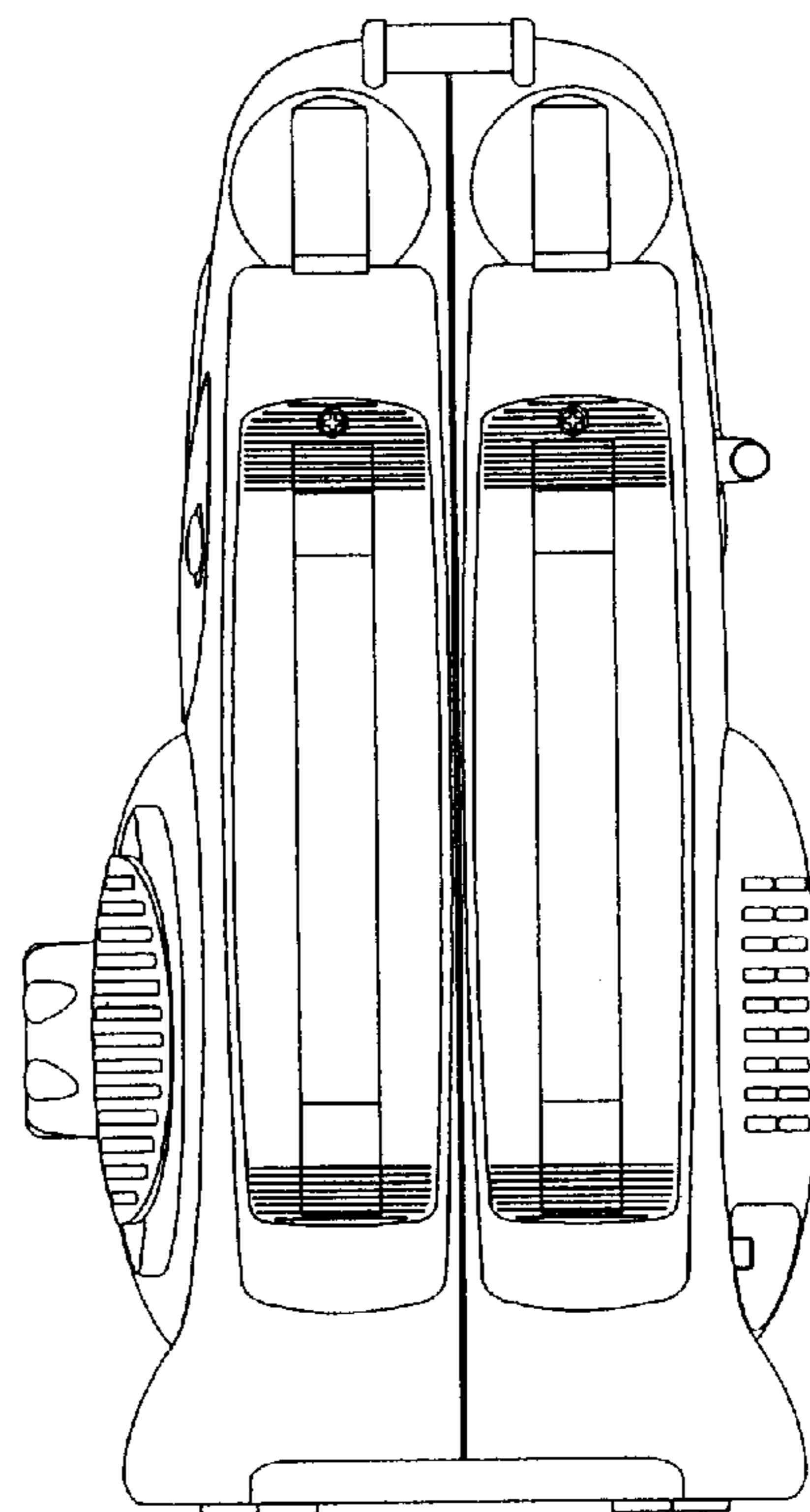


FIG. 2

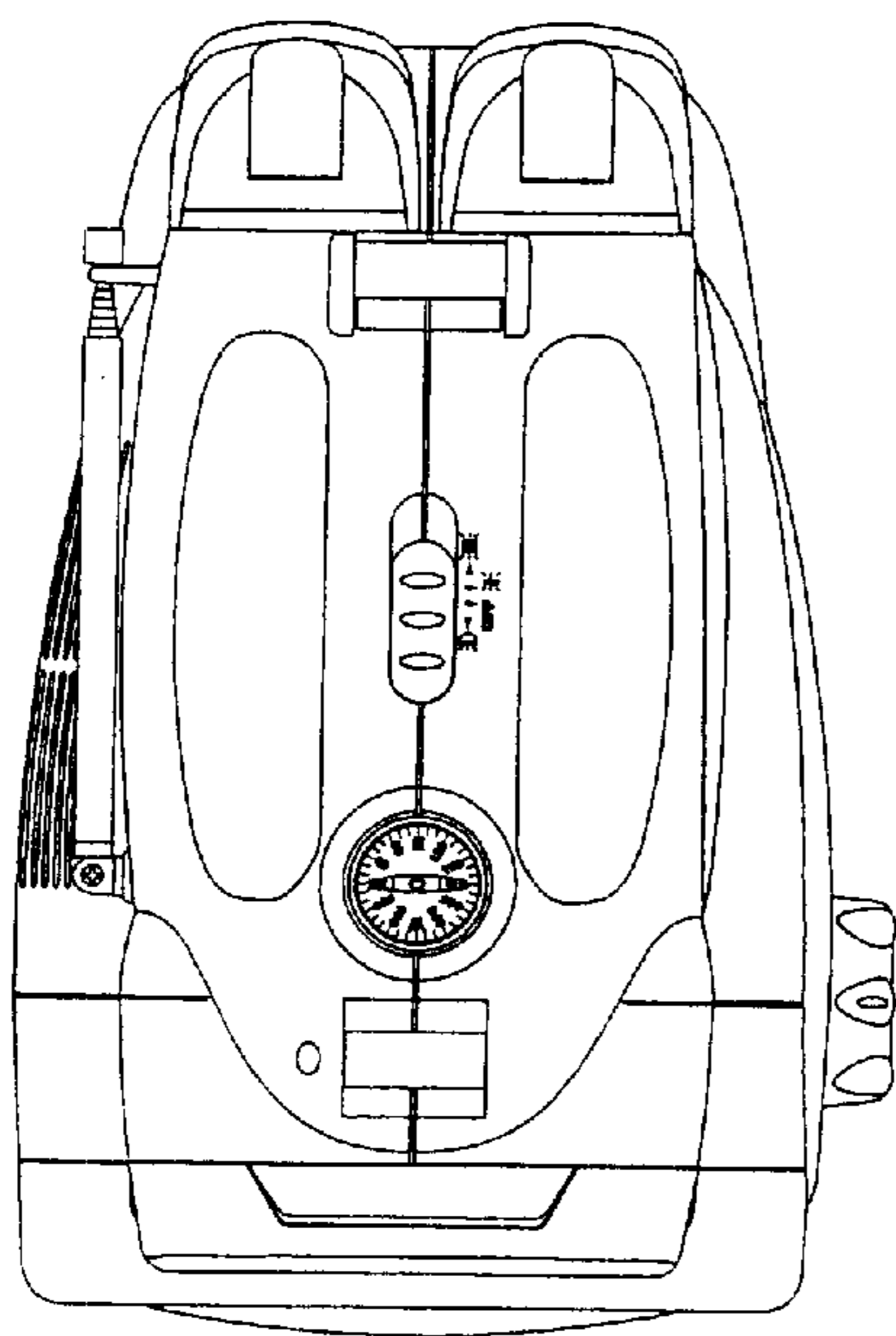


FIG. 3

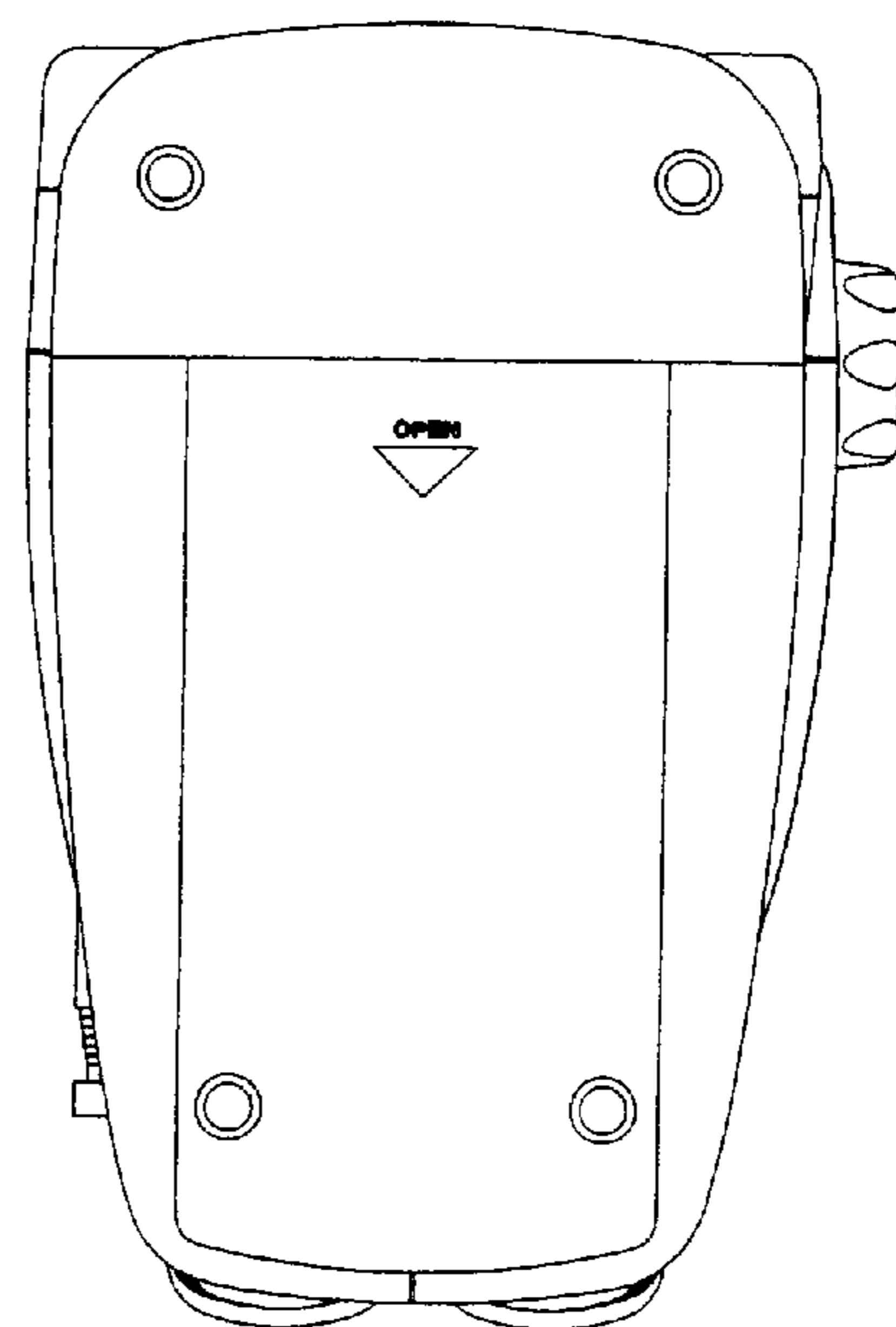


FIG. 4

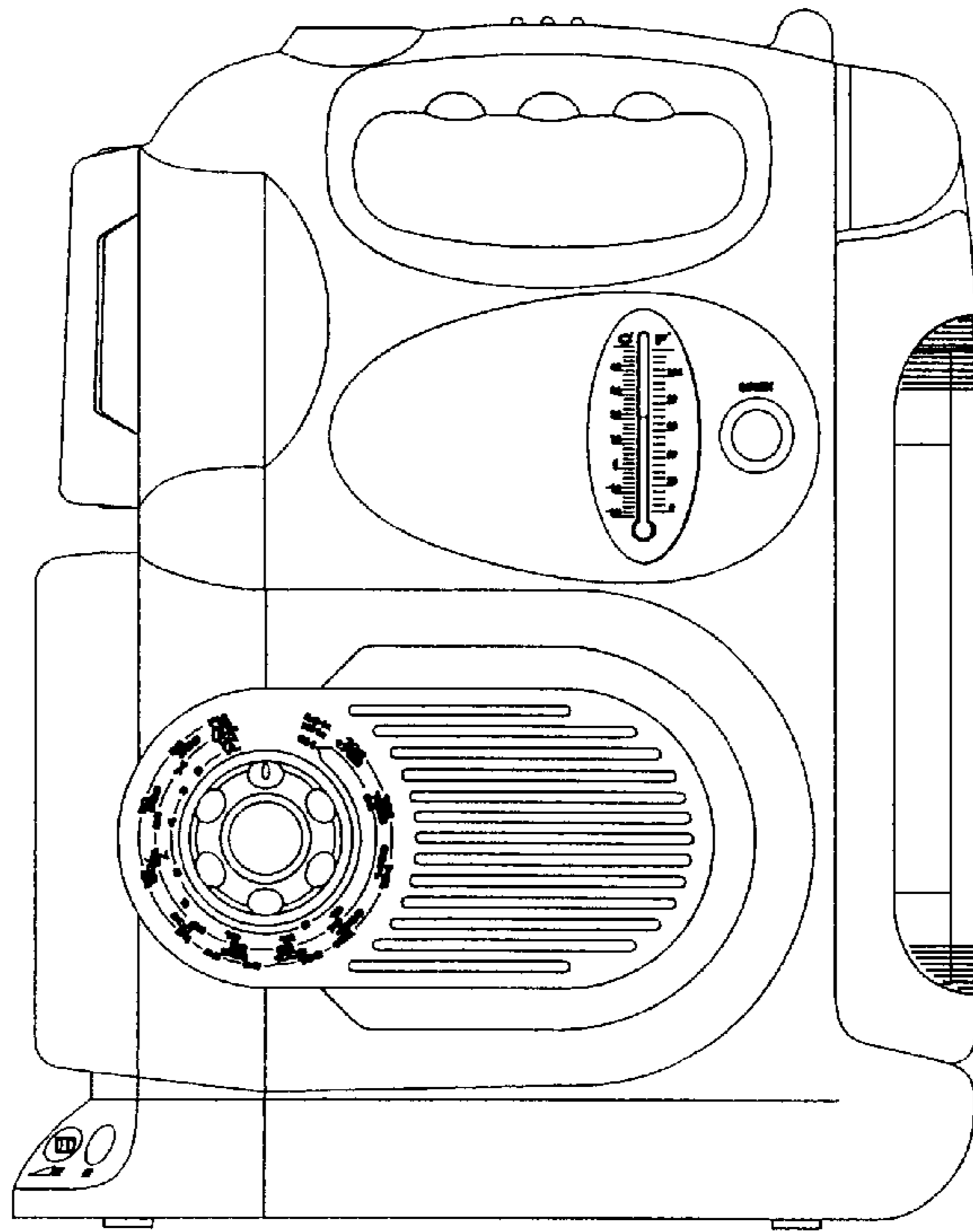


FIG. 5

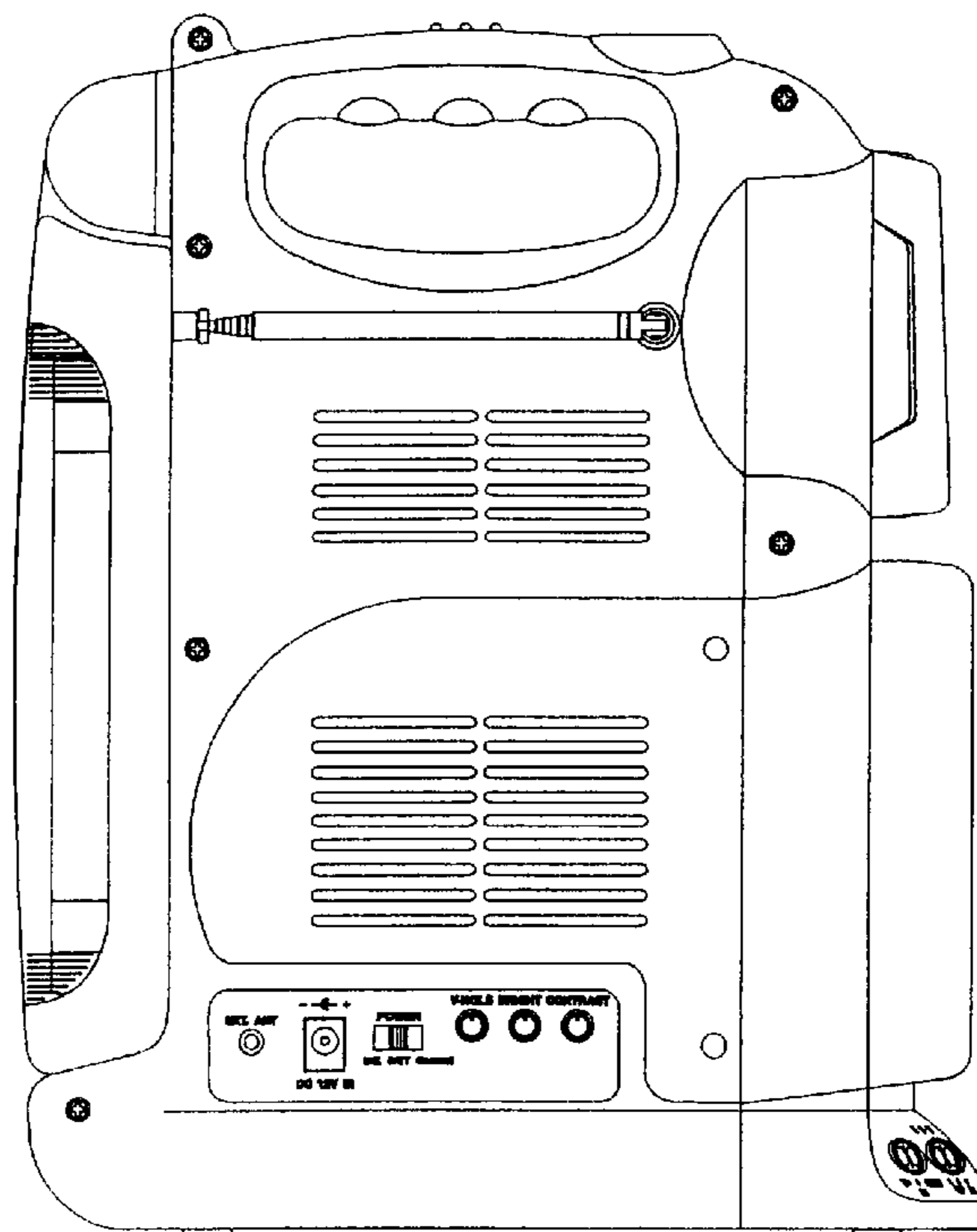


FIG. 6