



US00D471523S

(12) **United States Design Patent**
Hegde

(10) **Patent No.:** **US D471,523 S**

(45) **Date of Patent:** **** Mar. 11, 2003**

(54) **HIGH PERFORMANCE COOLING DEVICE**

6,330,908 B1 * 12/2001 Lee et al. 165/185
6,336,499 B1 * 1/2002 Liu 165/80.3
6,367,542 B1 * 4/2002 Chen 165/80.3

(76) Inventor: **Shankar Hegde**, 17-81 Krishna Nagar,
Annassandrapalya Bangalore (IN),
560017

* cited by examiner

(**) Term: **14 Years**

Primary Examiner—Ted Shooman
Assistant Examiner—Selina Sikder
(74) *Attorney, Agent, or Firm*—Trueman H. Denny, III

(21) Appl. No.: **29/164,092**

(22) Filed: **Jul. 18, 2002**

(57) **CLAIM**

The ornamental design for a high performance cooling device, as shown and described.

Related U.S. Application Data

DESCRIPTION

(62) Division of application No. 29/145,705, filed on Jul. 27, 2001.

(51) **LOC (7) Cl.** **13-03**

(52) **U.S. Cl.** **D13/179**

(58) **Field of Search** D13/179; 165/80.3,
165/180, 185; 174/16.3, 706, 707, 718,
719, 720, 721, 722, 727, 686; 361/271,
274.3, 697, 702, 704, 709, 710, 711

FIG. 1 is a top front left perspective view of a first embodiment of a high performance cooling device showing my new design;

FIG. 2 is a front elevation view thereof;

FIG. 3 is a right elevation view thereof;

FIG. 4 is a bottom view thereof;

FIG. 5 is a top plan view thereof;

FIG. 6 is a top front left perspective view of a second embodiment of a high performance cooling device showing my new design;

FIG. 7 is a front elevation view thereof;

FIG. 8 is a right elevation view thereof;

FIG. 9 is a bottom view thereof; and,

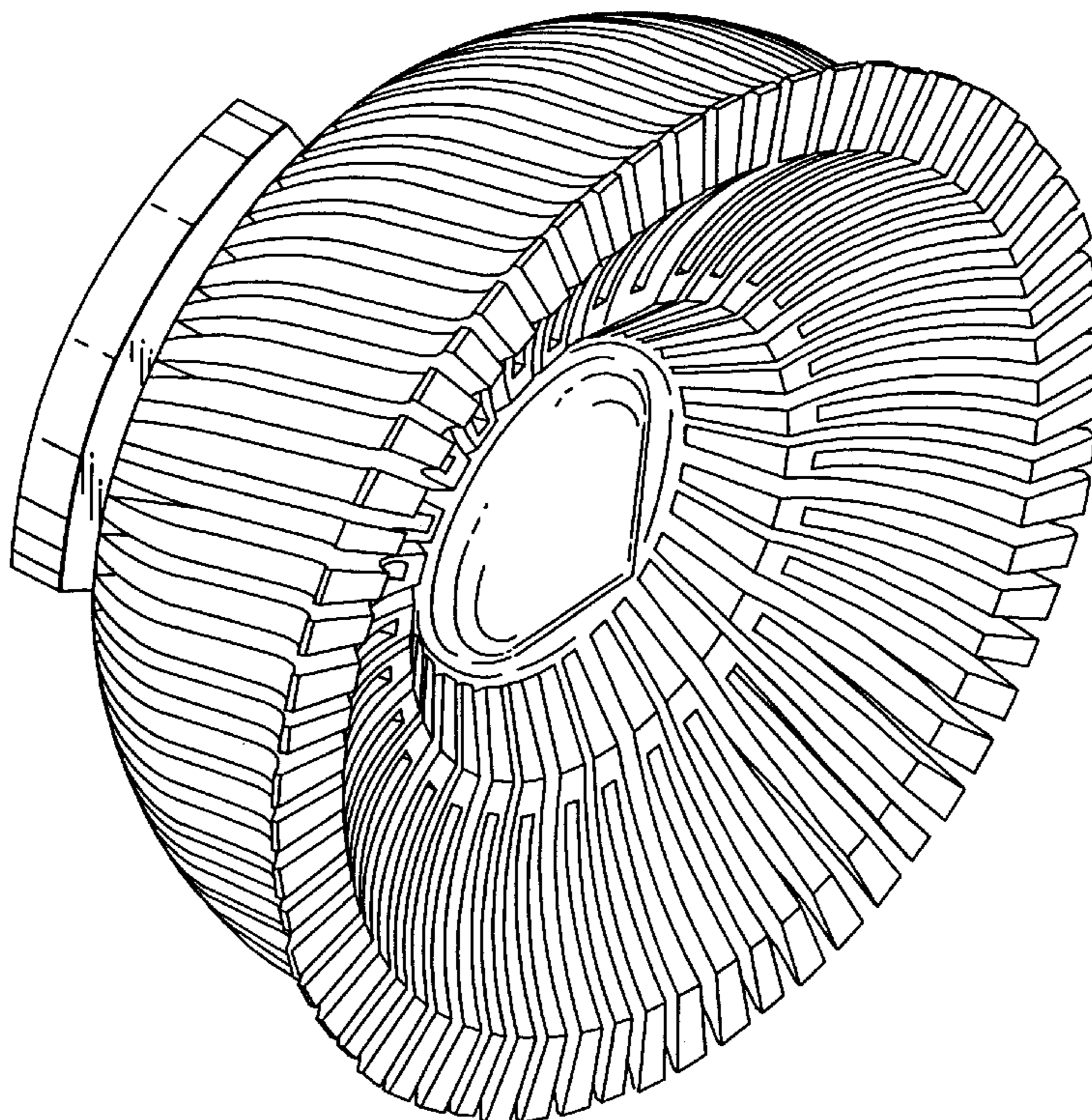
FIG. 10 is a top plan view thereof.

(56) **References Cited**

U.S. PATENT DOCUMENTS

D203,543 S * 1/1966 Coe D13/179
4,715,438 A * 12/1987 Gabuzda et al. 165/185
5,597,034 A * 1/1997 Barker, III et al. 165/80.3
5,794,685 A * 8/1998 Dean 165/121
5,825,622 A * 10/1998 Rife et al. 361/704
5,943,209 A * 8/1999 Liu 361/695

1 Claim, 8 Drawing Sheets



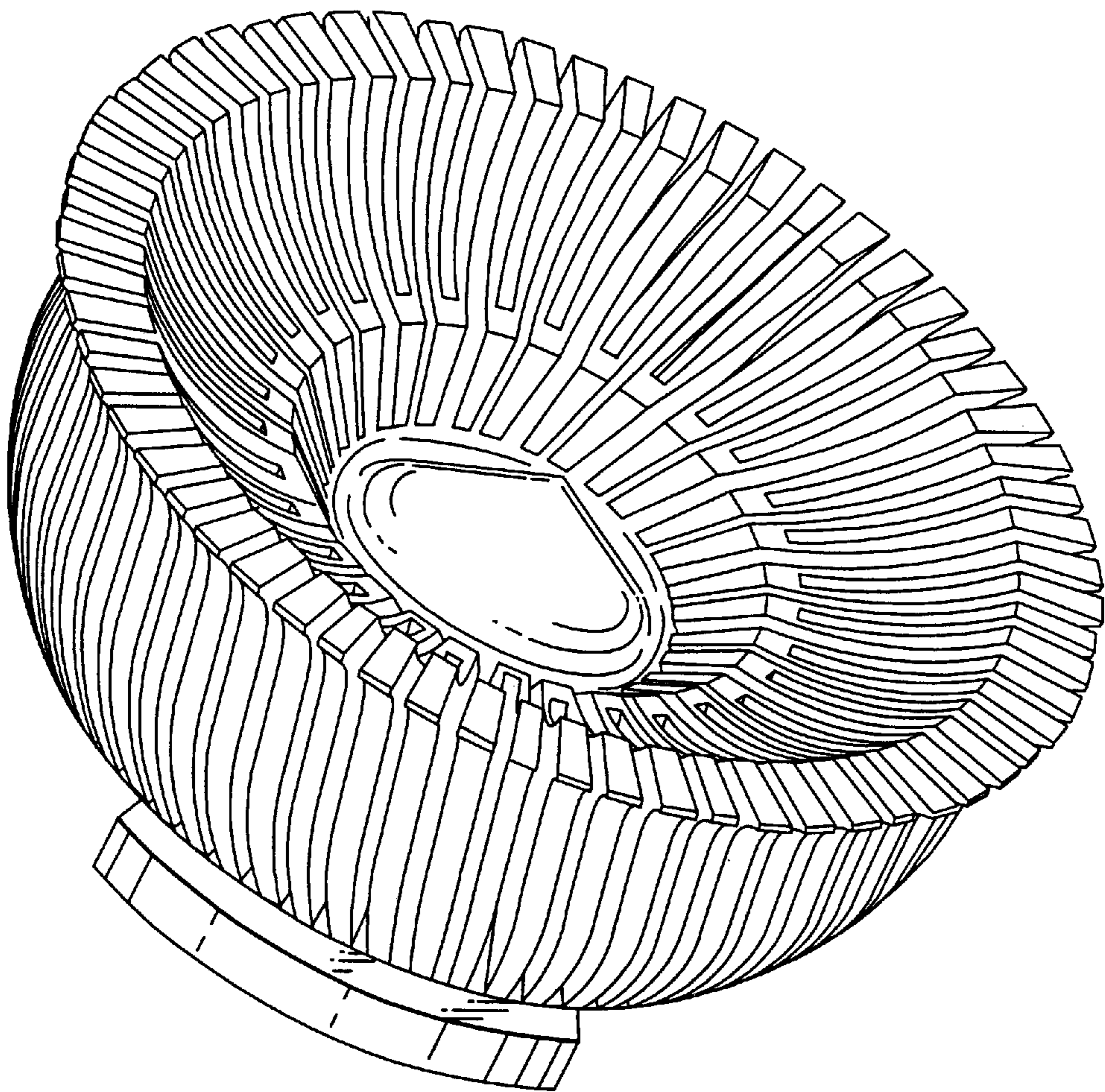


Figure 1

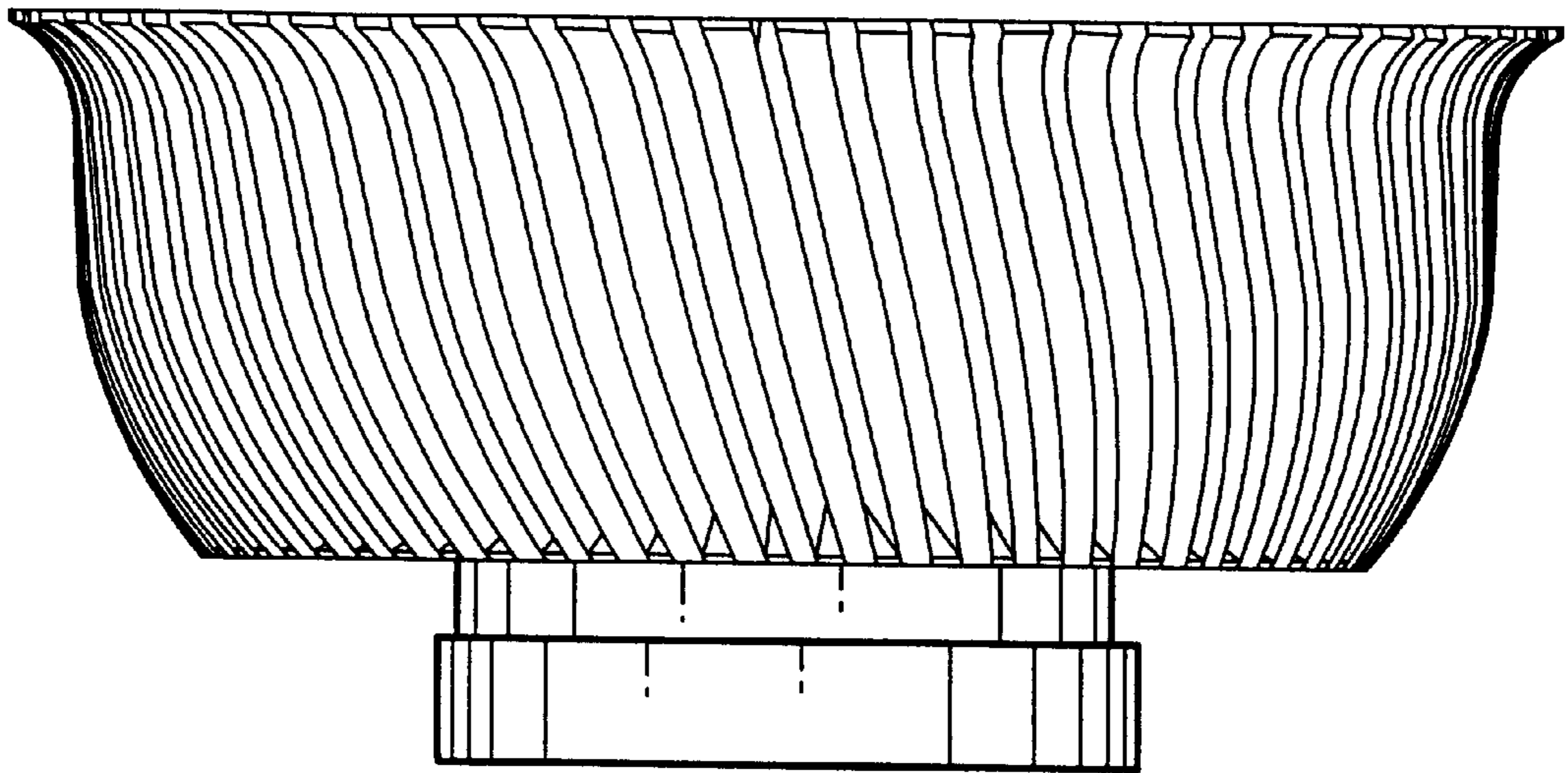


Figure 2

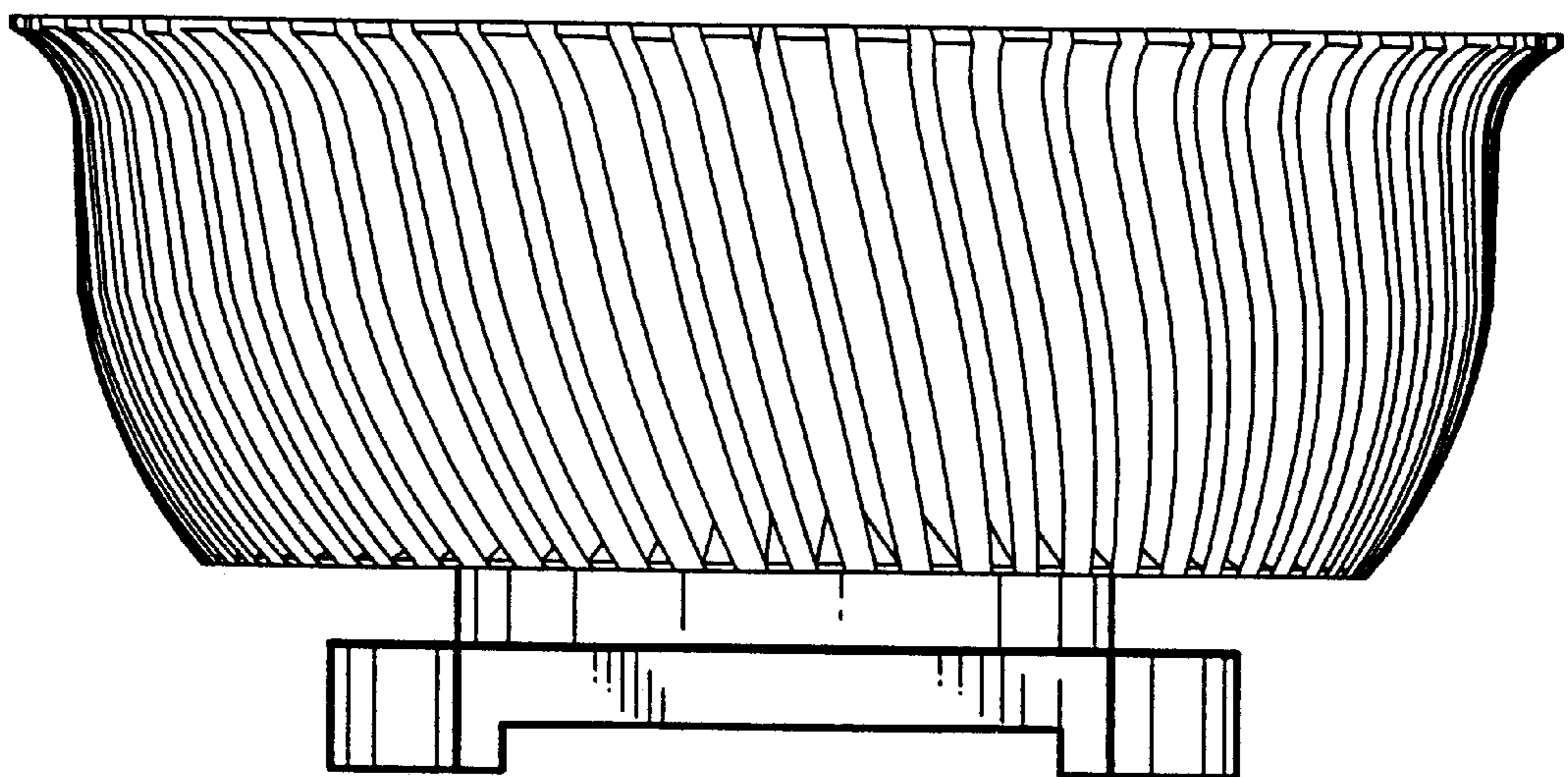


Figure 3

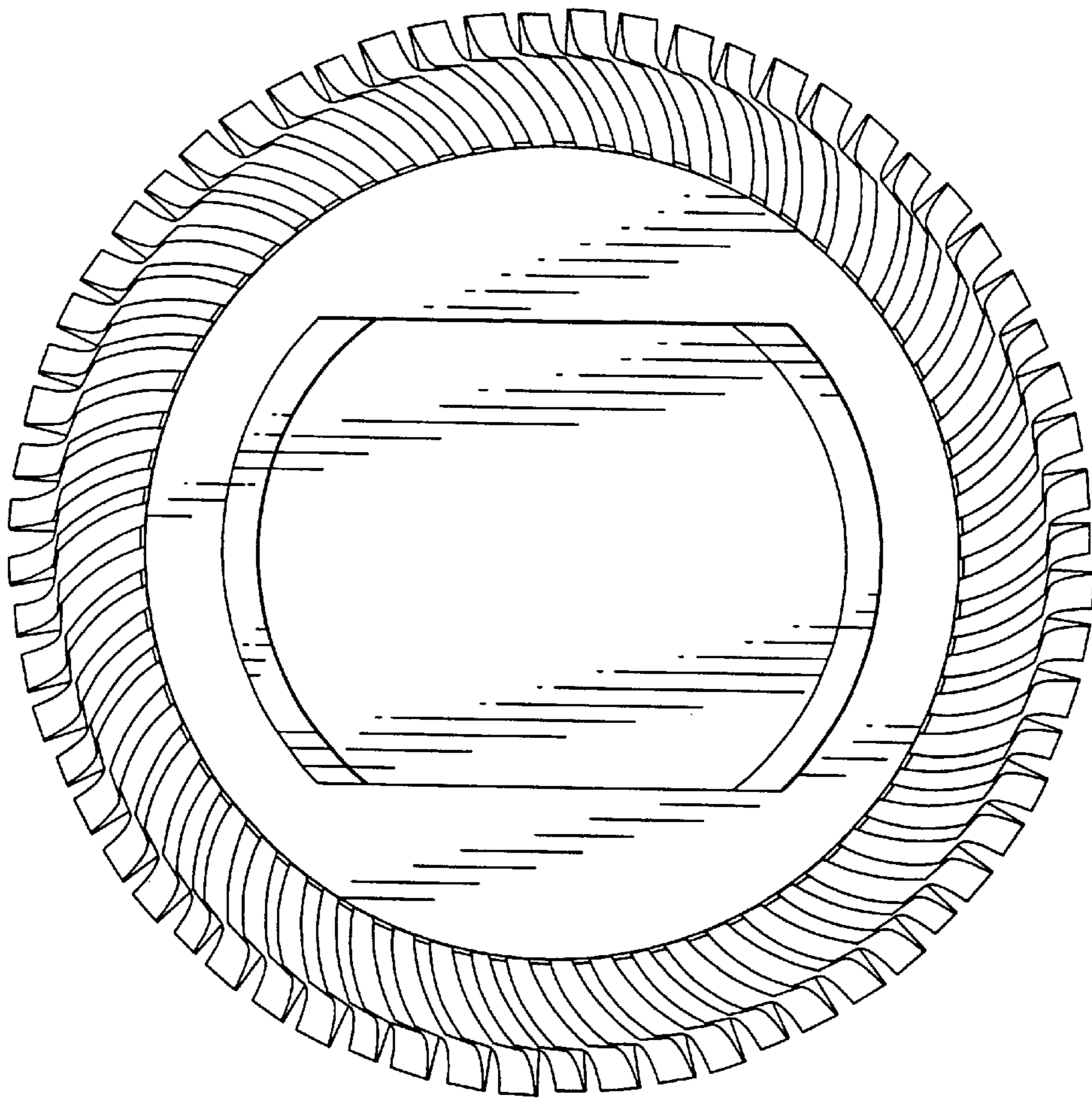


Figure 4

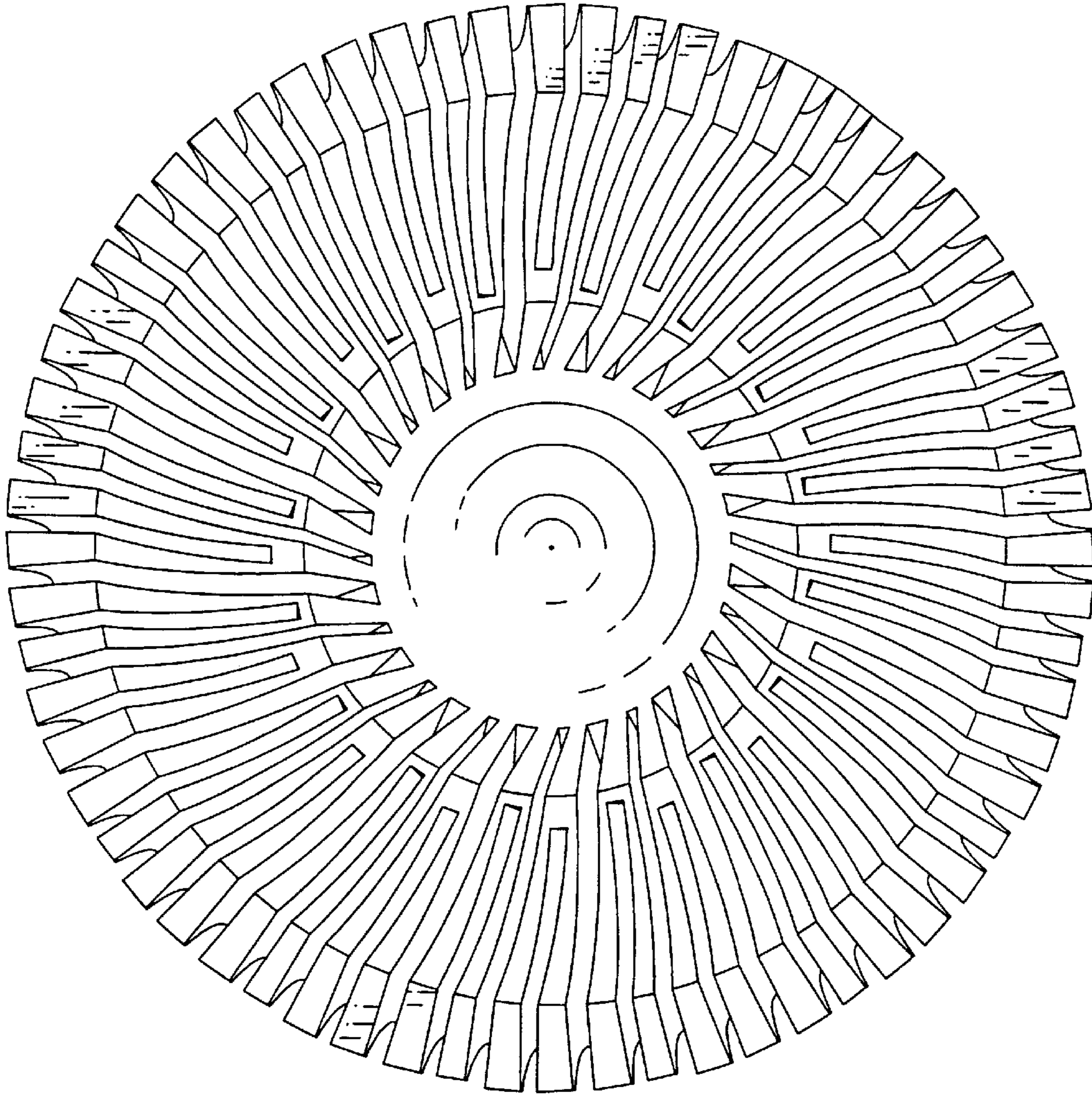


Figure 5

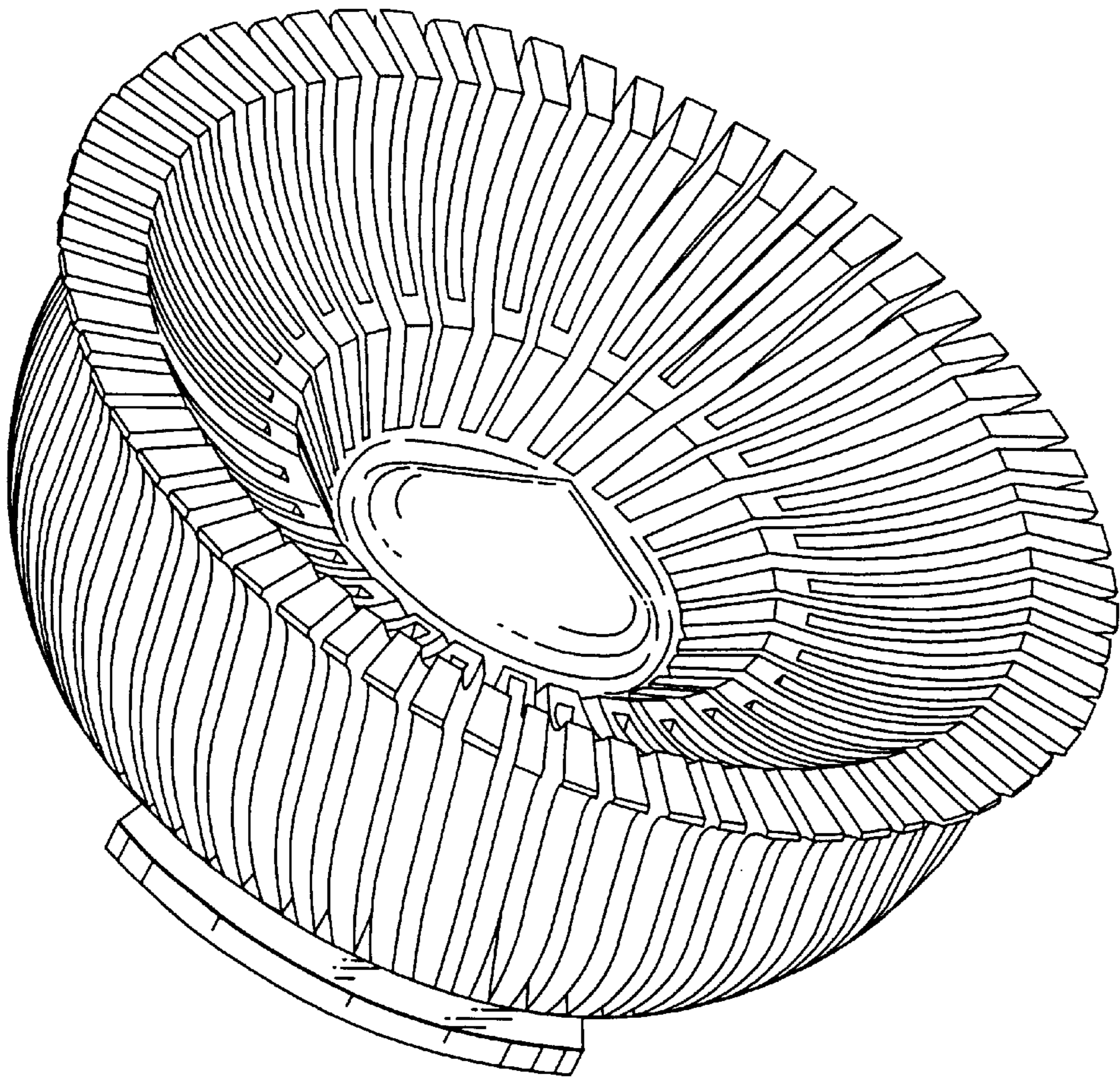


Figure 6

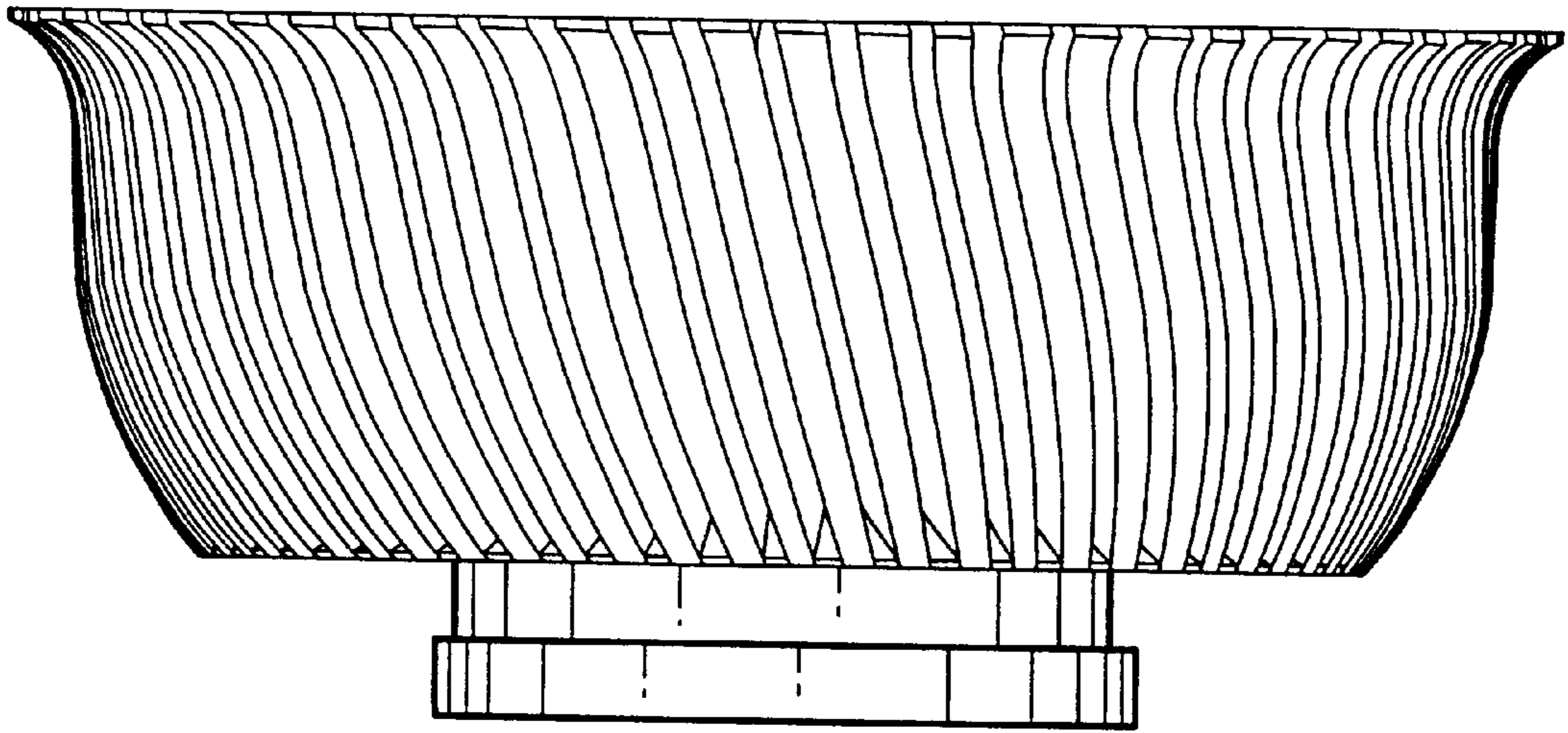


Figure 7

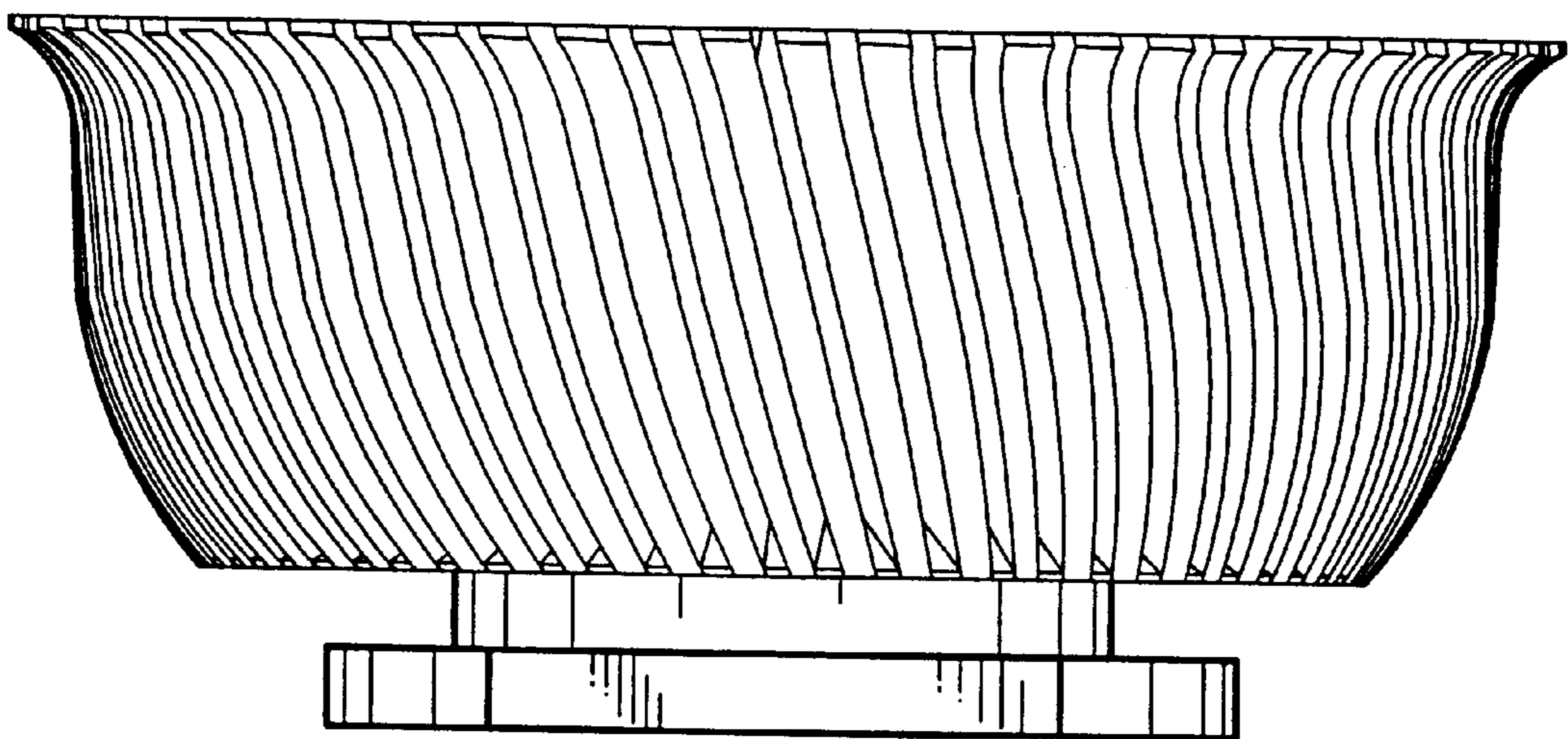


Figure 8

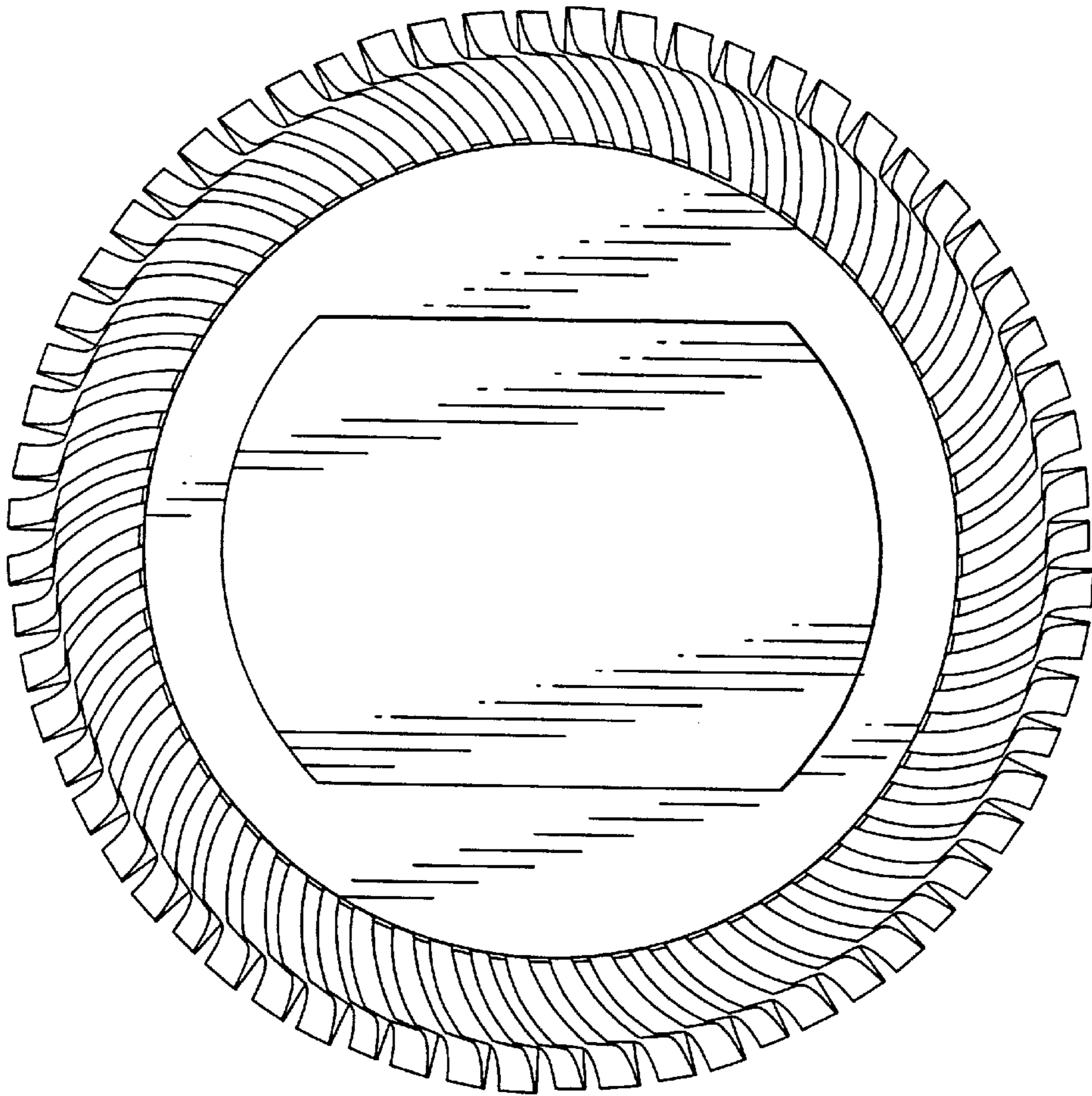


Figure 9

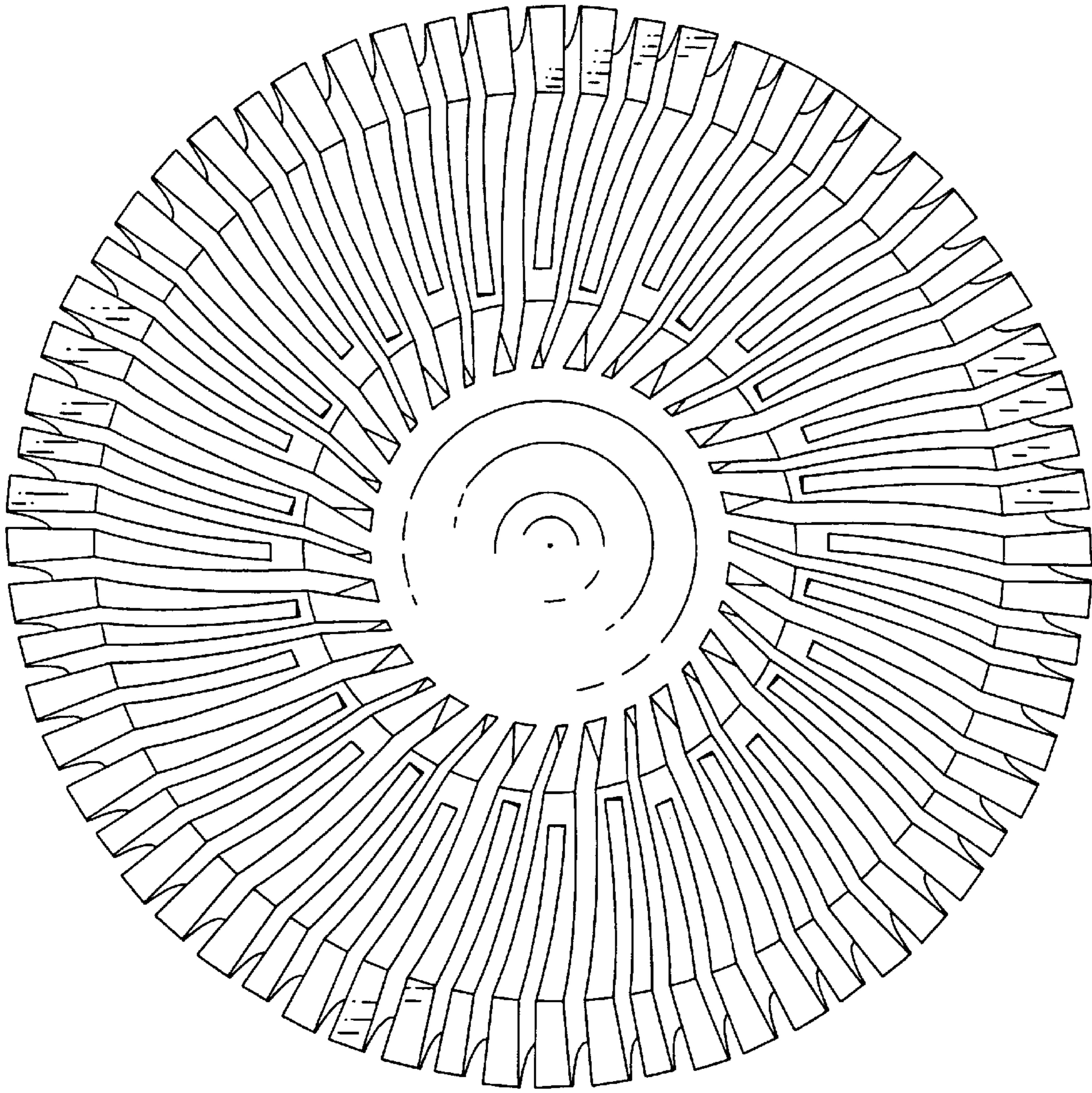


Figure 10