



US00D471521S

(12) **United States Design Patent**
Goto

(10) **Patent No.:** **US D471,521 S**

(45) **Date of Patent:** **** Mar. 11, 2003**

(54) **ELECTRIC CONNECTOR**

(75) **Inventor:** **Teiyu Goto, Tokyo (JP)**

(73) **Assignee:** **Sony Computer Entertainment Inc., Tokyo (JP)**

(**) **Term:** **14 Years**

(21) **Appl. No.:** **29/146,038**

(22) **Filed:** **Aug. 3, 2001**

(30) **Foreign Application Priority Data**

May 14, 2001 (JP) 2001-013706

(51) **LOC (7) Cl.** **13-03**

(52) **U.S. Cl.** **D13/147**

(58) **Field of Search** D13/133; D21/333;
463/40-42, 47

(56) **References Cited**

U.S. PATENT DOCUMENTS

- 5,429,363 A * 7/1995 Hayashi 463/40
- D445,763 S * 7/2001 Corona D13/133
- D448,810 S * 10/2001 Goto D21/332

D453,511 S * 2/2002 Goto D14/371

D457,522 S * 5/2002 Goto D14/371

D458,926 S * 6/2002 Goto D14/371

D462,659 S * 9/2002 Goto D13/133

2002/0068634 A1 * 6/2002 Goto et al. 463/46

* cited by examiner

Primary Examiner—Joel Sincavage

(74) *Attorney, Agent, or Firm*—Rader, Fishman & Grauer PLLC

(57) **CLAIM**

The ornamental design for an electric connector, as shown and described.

DESCRIPTION

FIG. 1 is a front view of an electric connector showing my design;

FIG. 2 is a rear elevational view thereof;

FIG. 3 is a left side elevational view thereof;

FIG. 4 is a right side elevational view thereof;

FIG. 5 is a top plan view thereof; and,

FIG. 6 is a bottom plan view thereof.

1 Claim, 3 Drawing Sheets

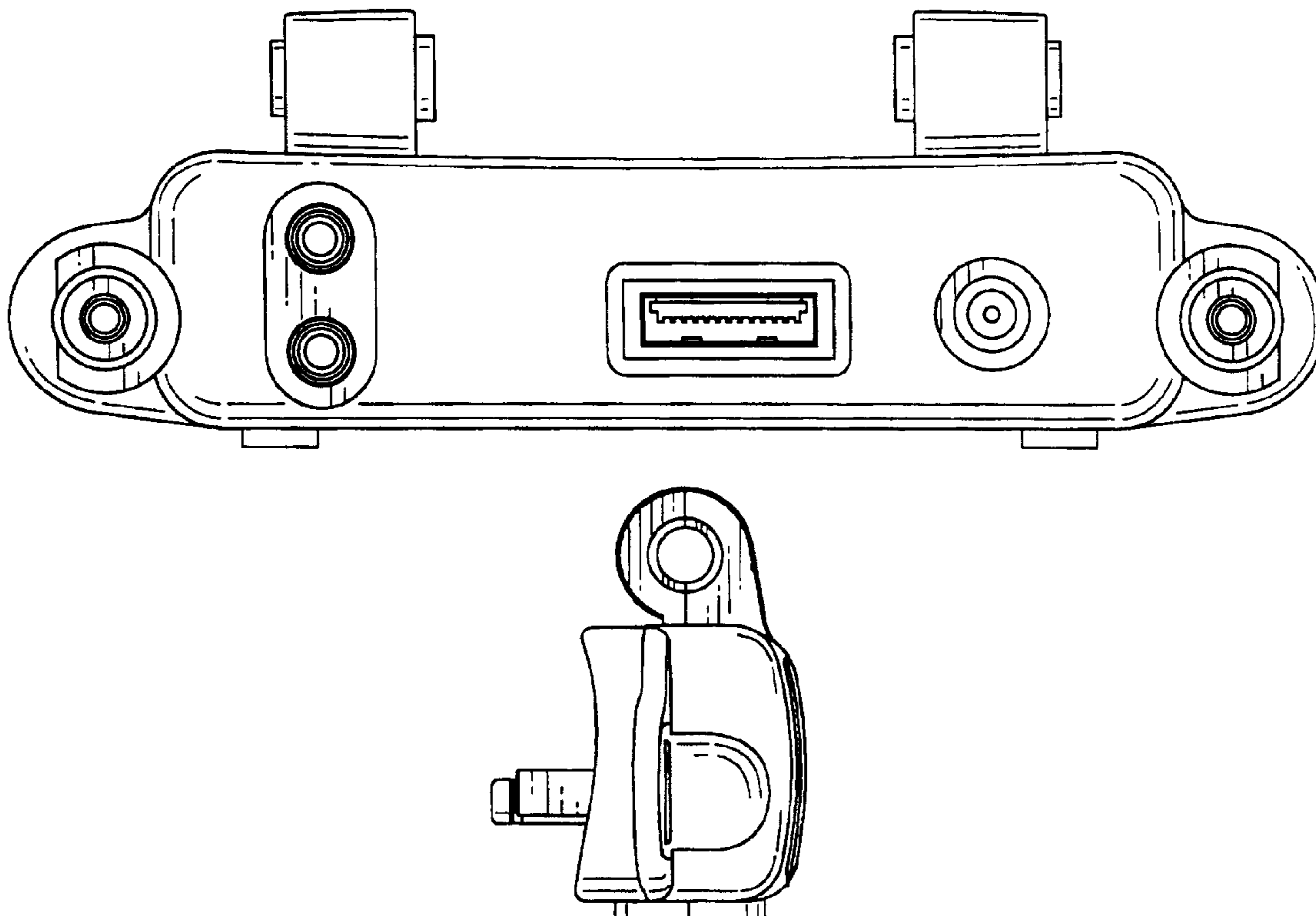


FIG. 1

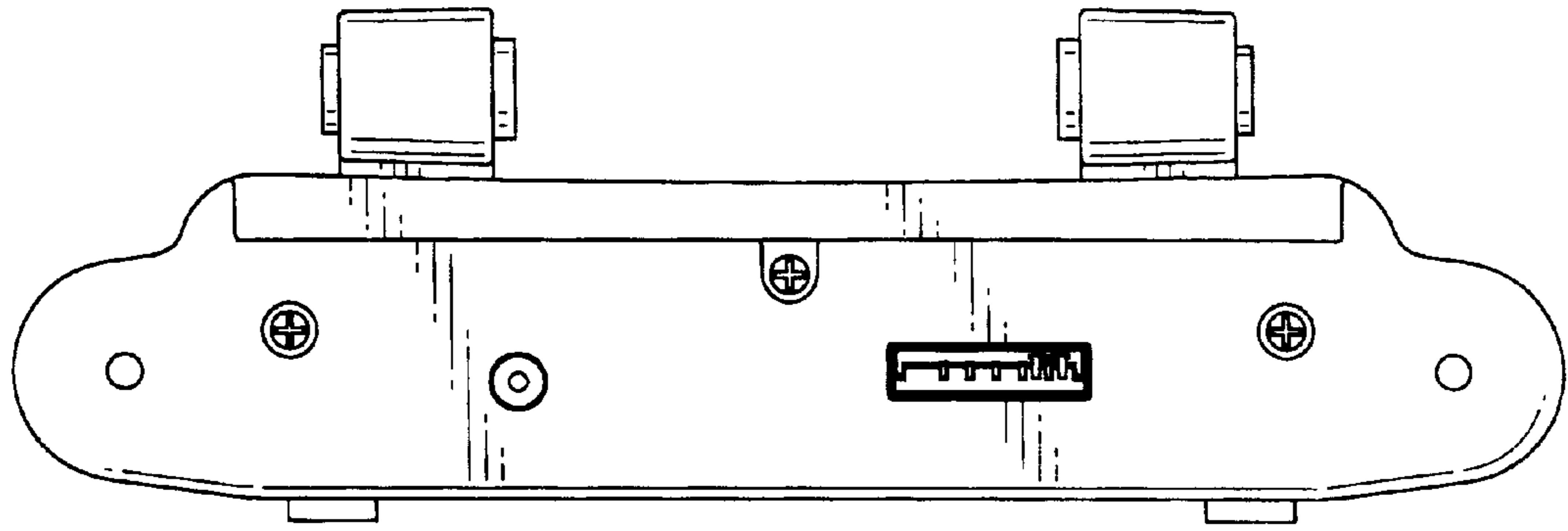


FIG. 2

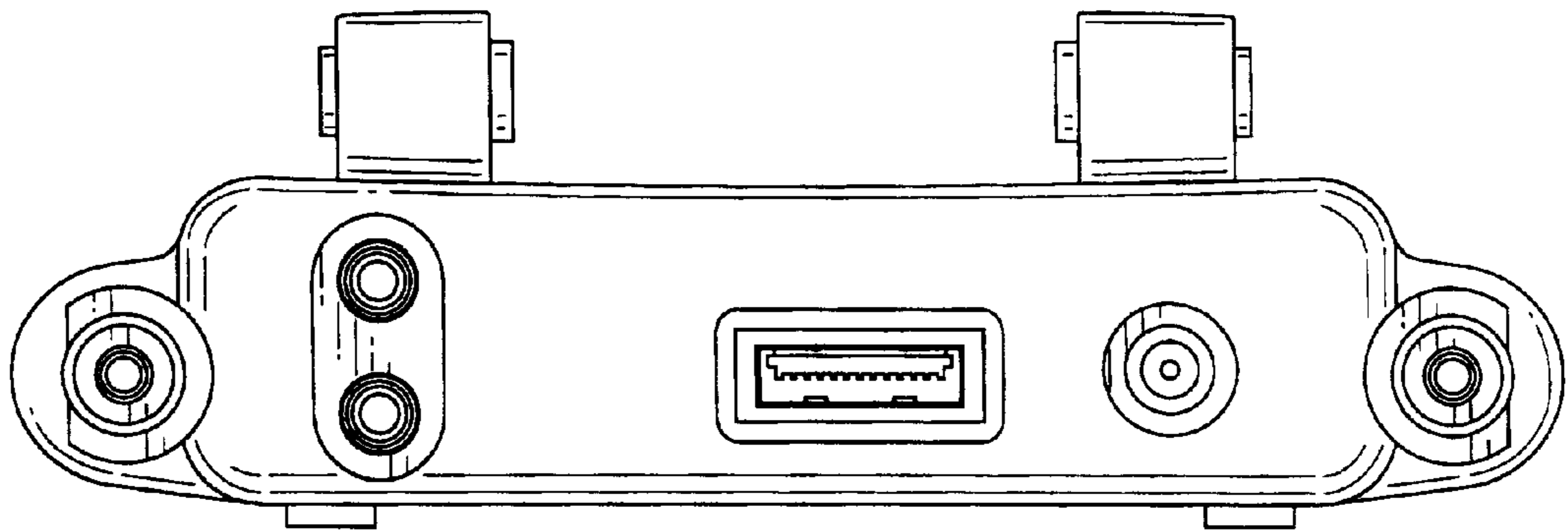


FIG. 3

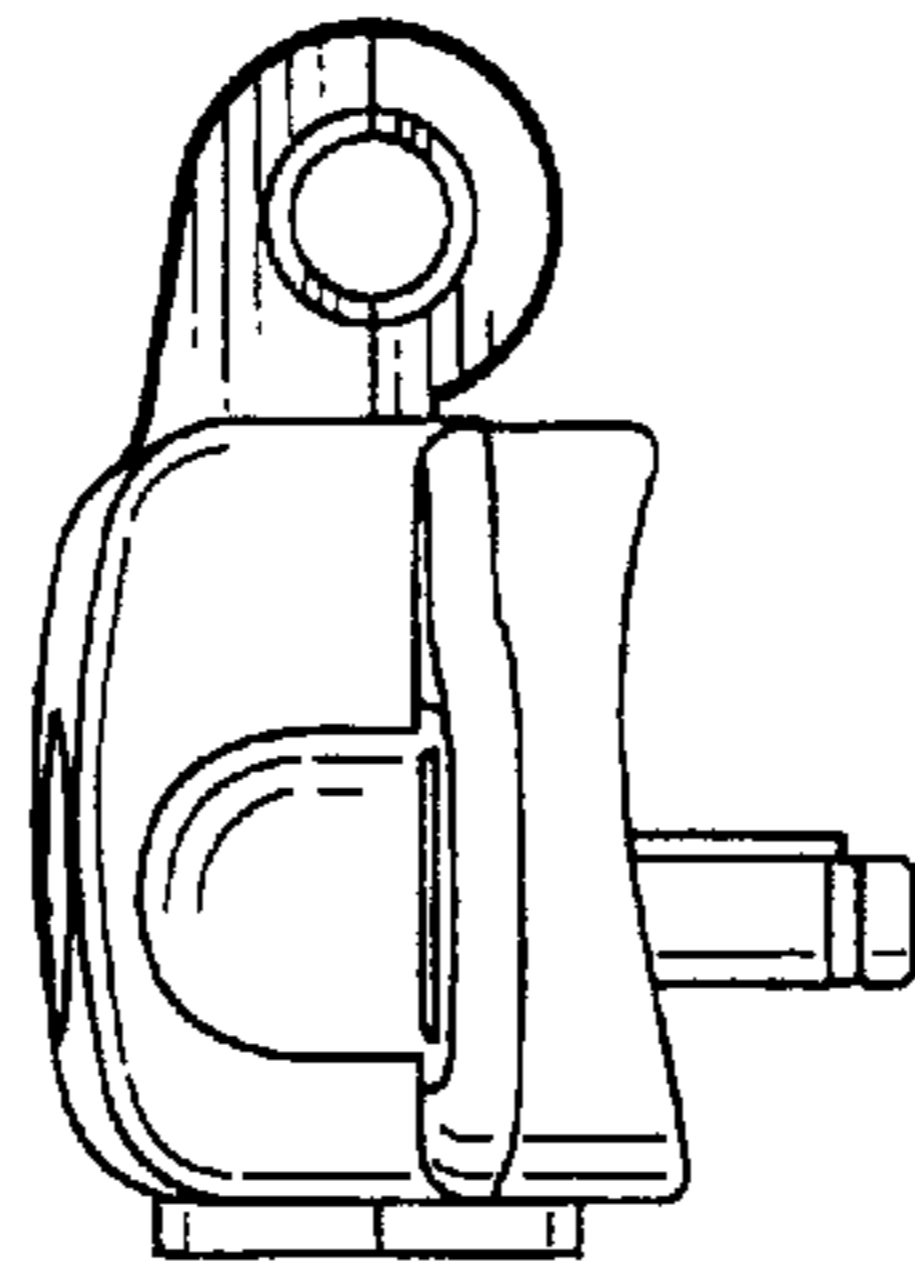


FIG. 4

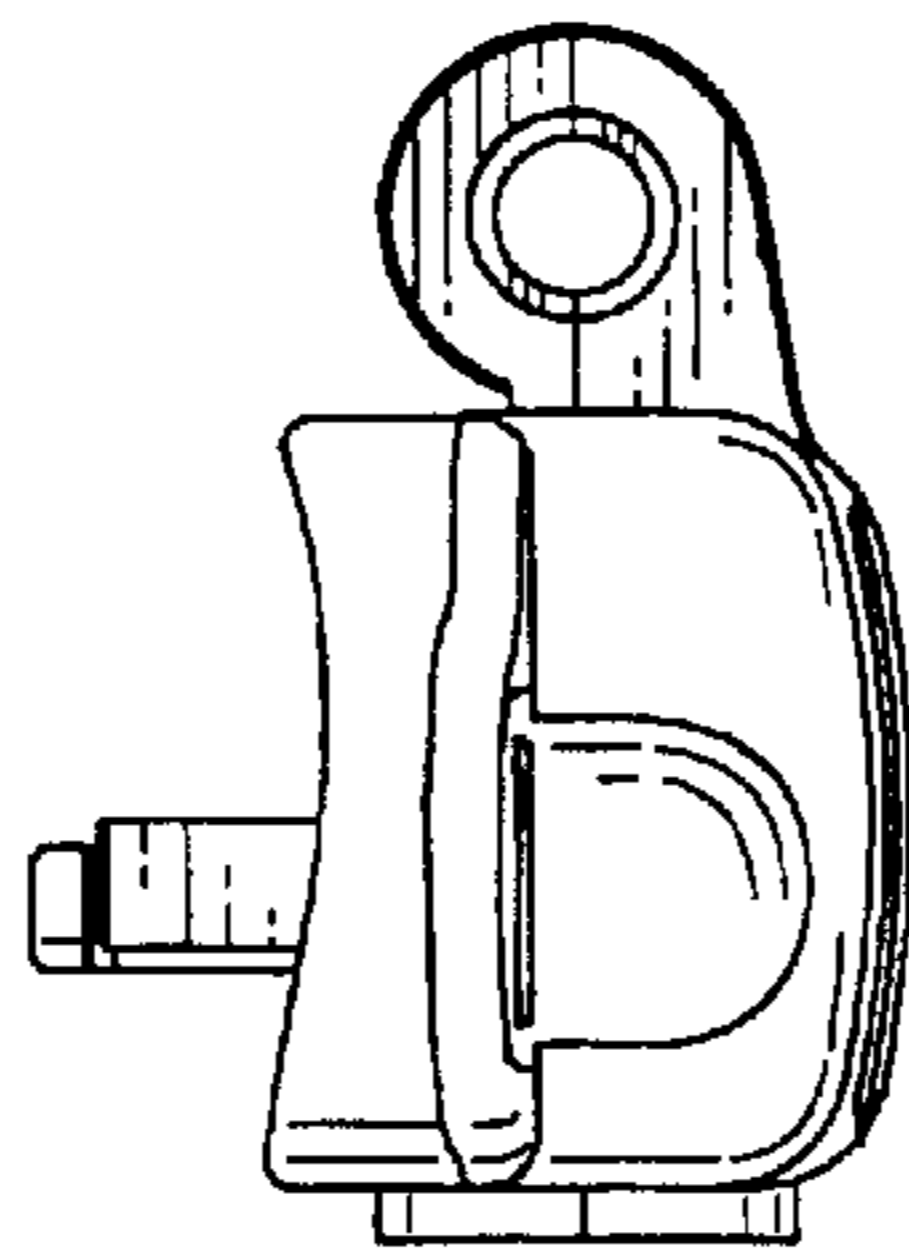


FIG. 5

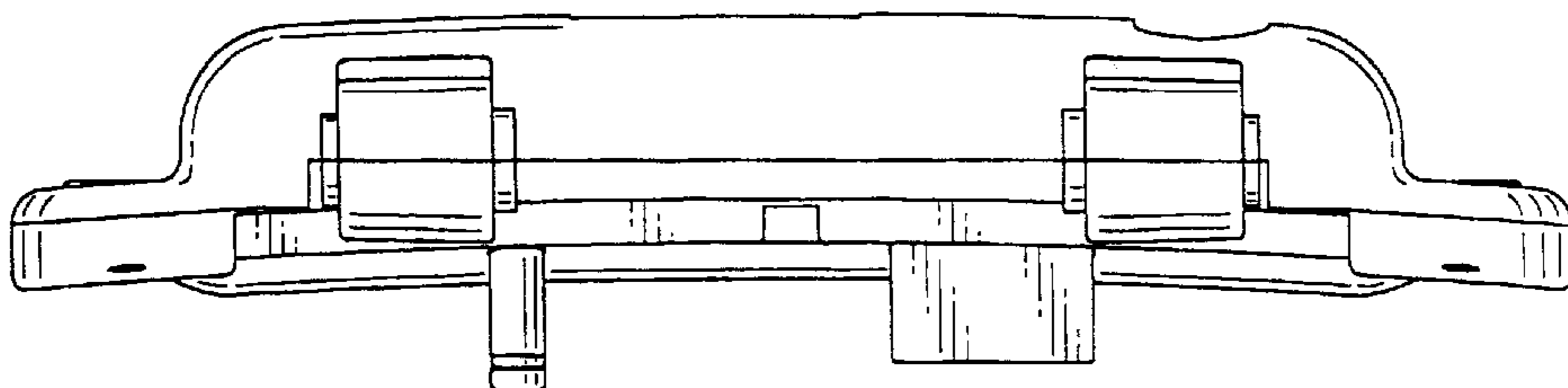


FIG. 6

