



US00D471519S

(12) **United States Design Patent**
Liang

(10) **Patent No.:** **US D471,519 S**

(45) **Date of Patent:** **** Mar. 11, 2003**

(54) **ELECTRIC COUPLER FOR BATTERIES**

D461,768 S * 8/2002 Liang D13/120
D462,322 S * 9/2002 Liang D13/120

(76) Inventor: **Shih Tsung Liang**, P.O. Box 10-69,
Chong Ho, Taipei 235 (TW)

* cited by examiner

(**) Term: **14 Years**

Primary Examiner—Joel Sincavage

(21) Appl. No.: **29/154,120**

(57) **CLAIM**

(22) Filed: **Jan. 22, 2002**

The ornamental design for an electric coupler for batteries,
as shown and described.

(51) **LOC (7) Cl.** **13-02**

DESCRIPTION

(52) **U.S. Cl.** **D13/120**

(58) **Field of Search** D13/120, 146,
D13/151; 439/762, 763-765, 798, 907

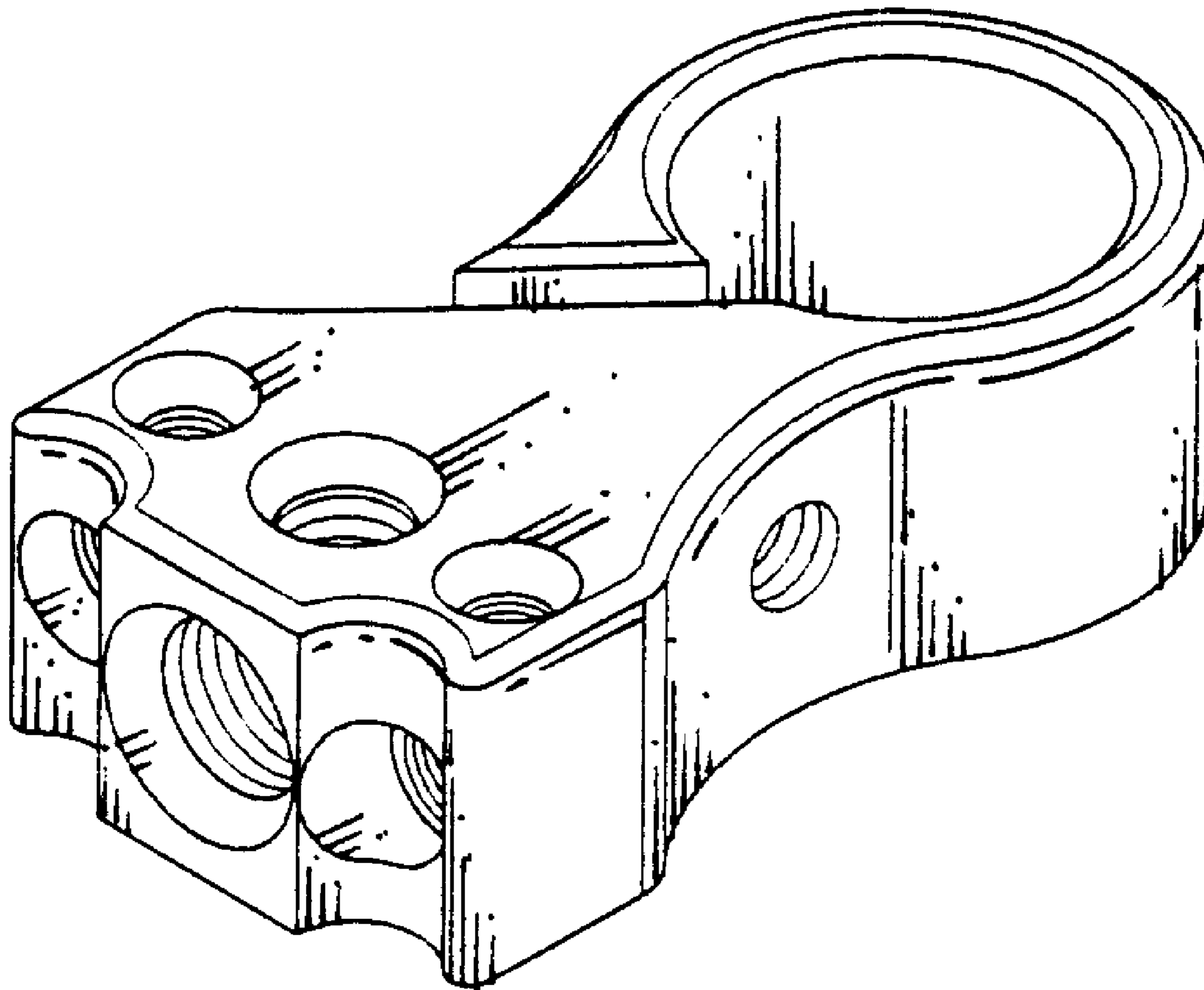
FIG. 1 is a perspective view of an electric coupler for
batteries showing my new design;
FIG. 2 is a front elevational view thereof;
FIG. 3 is a rear elevational view thereof;
FIG. 4 is a top plan view thereof;
FIG. 5 is a bottom plan view thereof;
FIG. 6 is a left side elevational view thereof; and,
FIG. 7 is a right side elevational view thereof.

(56) **References Cited**

U.S. PATENT DOCUMENTS

1,381,443 A * 6/1921 Woessner 439/764
D409,977 S * 5/1999 Liang D13/120
5,934,947 A * 8/1999 Liang 439/762
D451,071 S * 11/2001 Liang D13/120
6,334,797 B1 * 1/2002 Liang 439/763

1 Claim, 2 Drawing Sheets



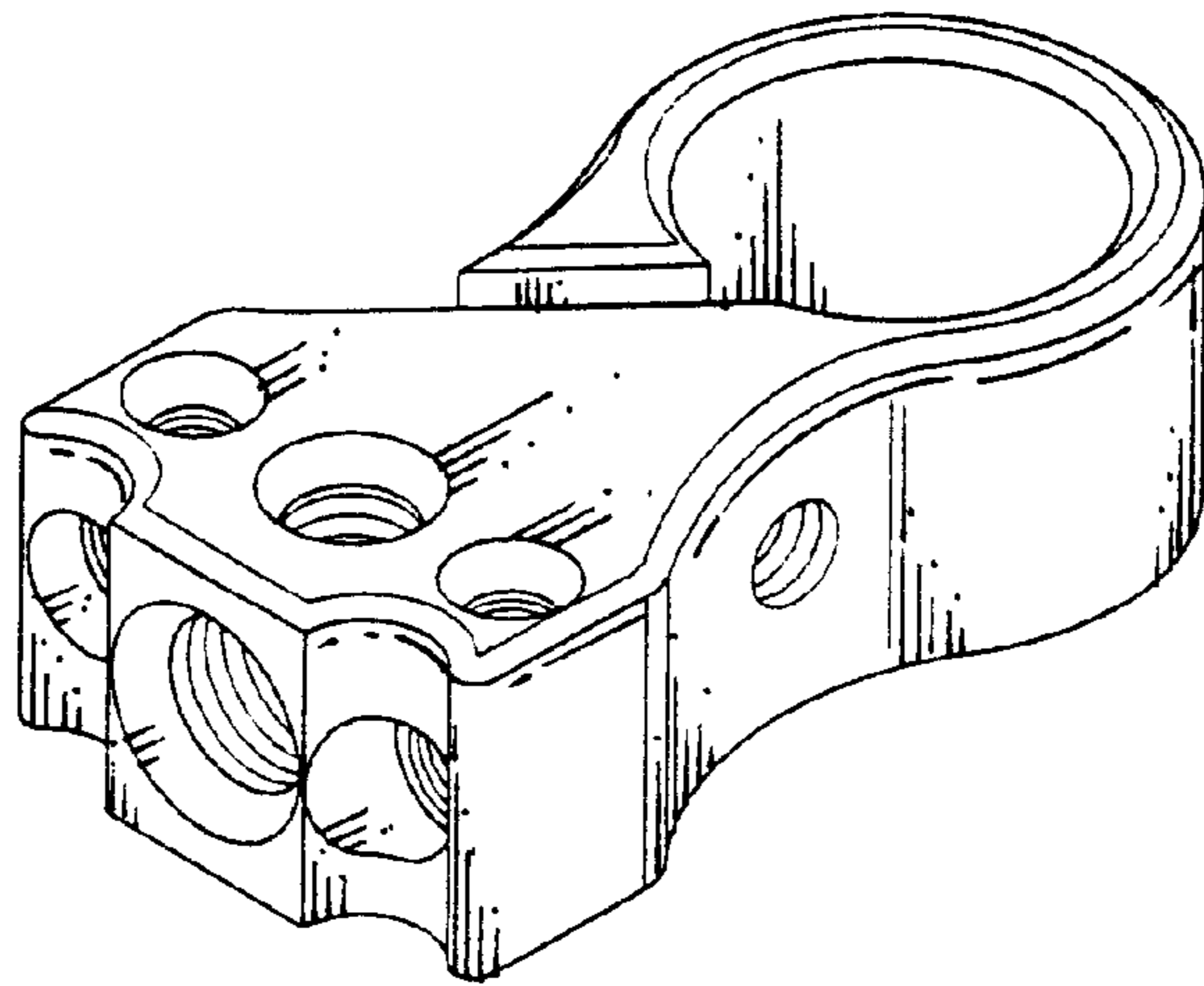


FIG. 1

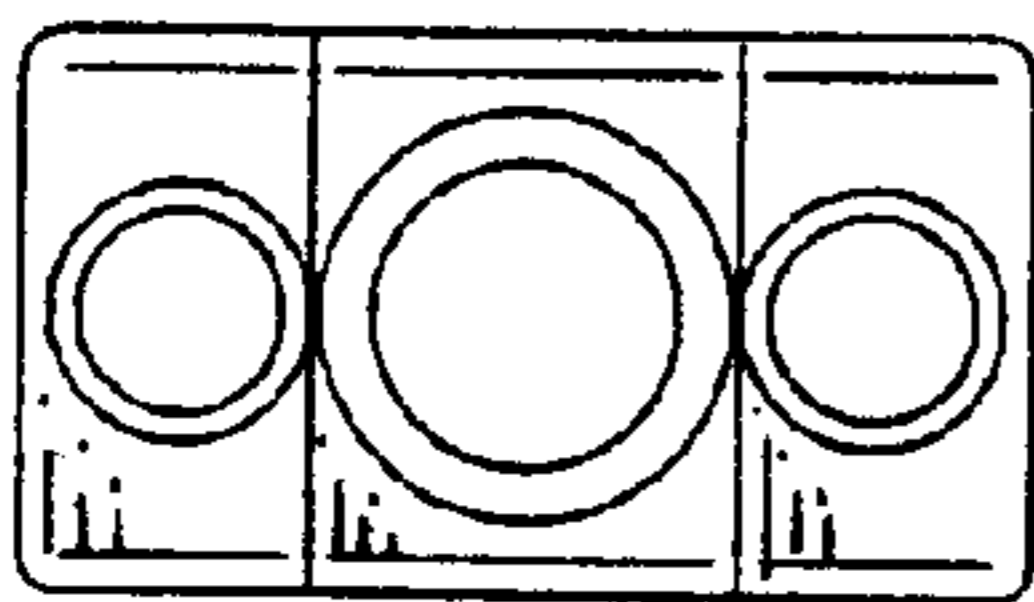


FIG. 2

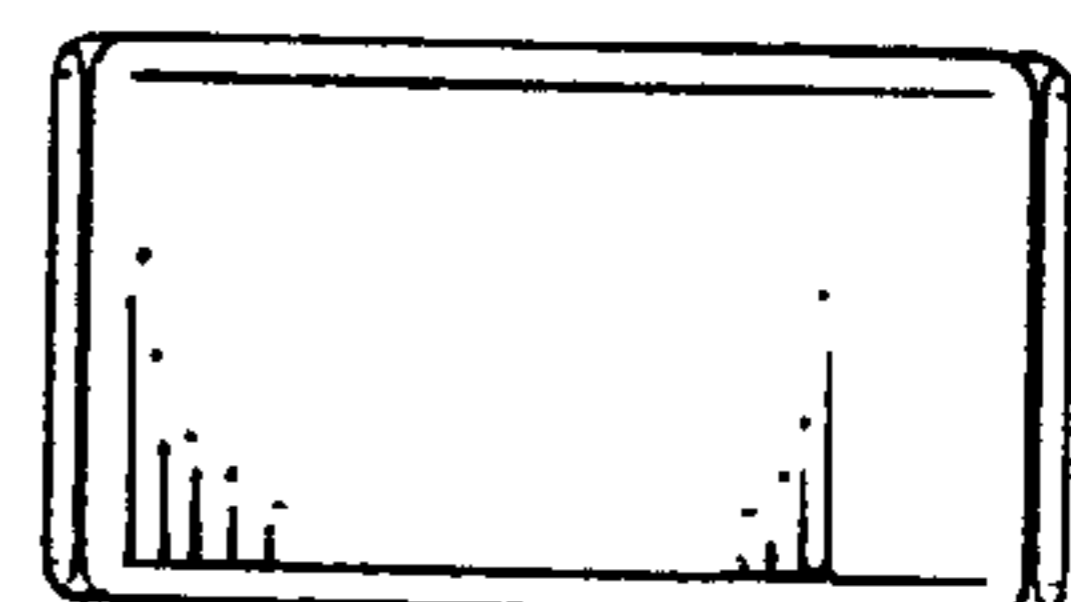


FIG. 3

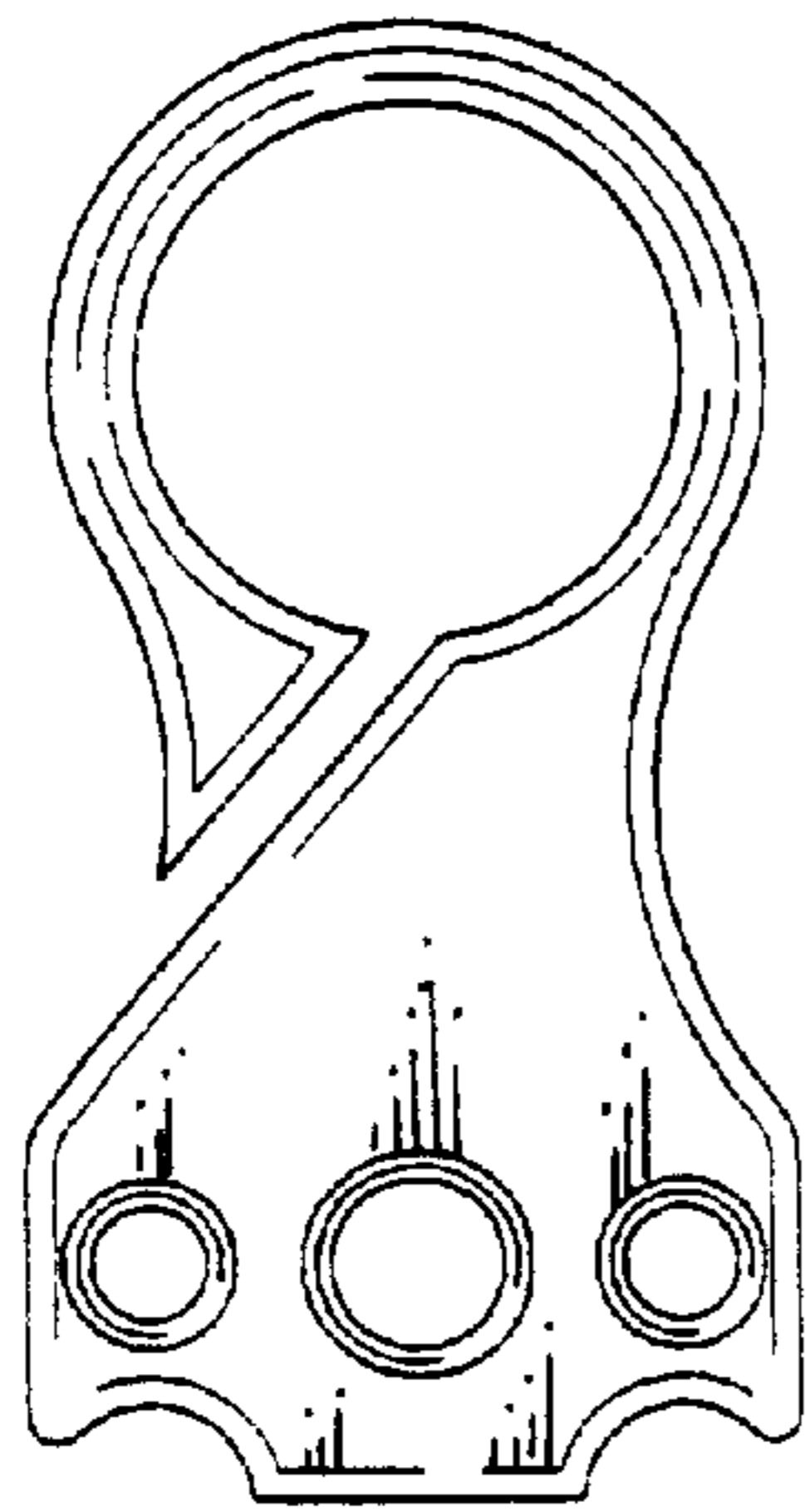


FIG. 4

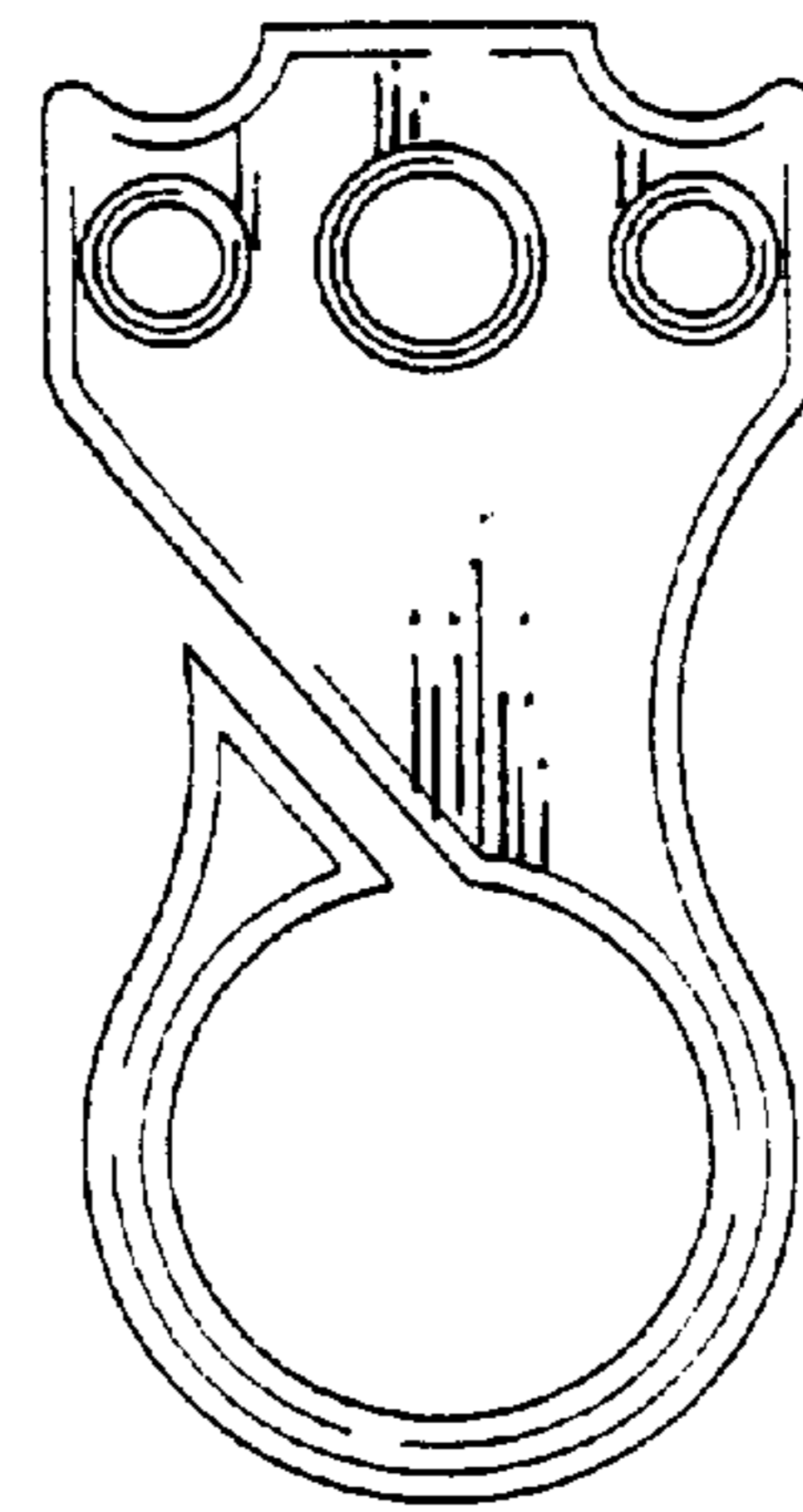


FIG. 5

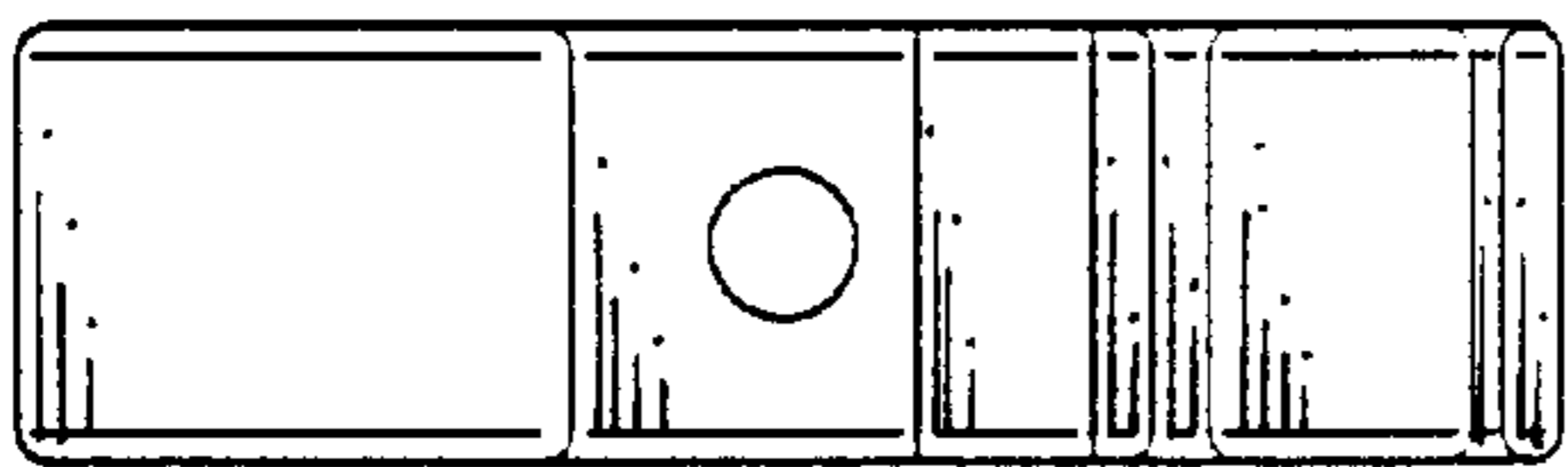


FIG. 6

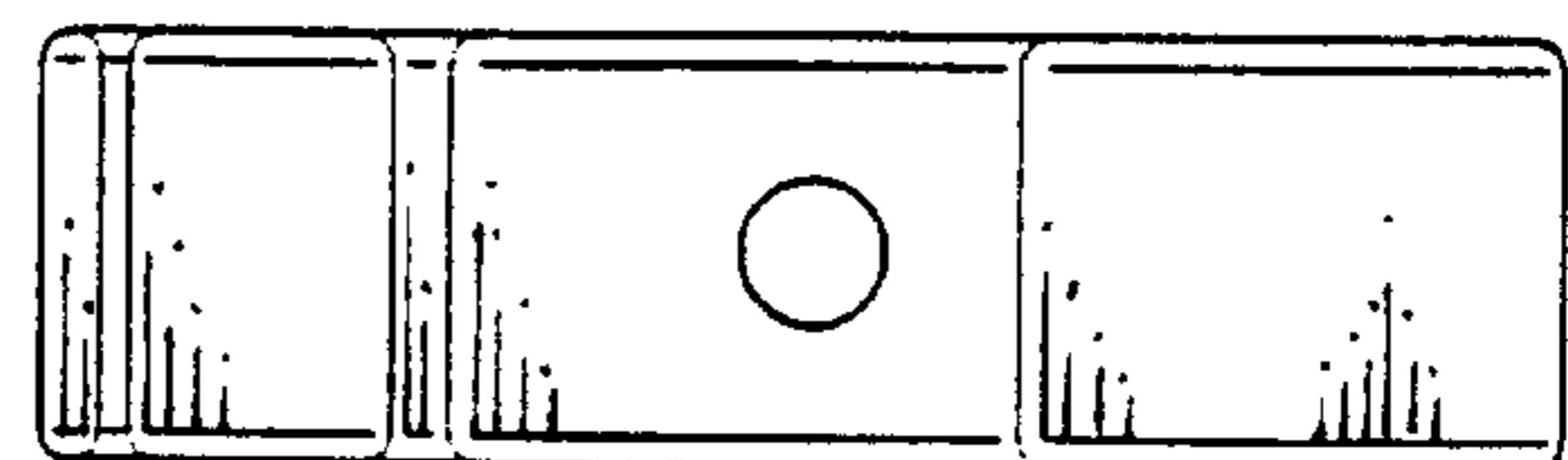


FIG. 7