



US00D471517S

(12) **United States Design Patent**  
**Nazar**

(10) **Patent No.:** **US D471,517 S**

(45) **Date of Patent:** **\*\* Mar. 11, 2003**

(54) **ADAPTER**

D434,724 S \* 12/2000 Wharton ..... D13/110

(75) Inventor: **David Nazar**, Los Angeles, CA (US)

\* cited by examiner

(73) Assignee: **Hypercel Corporation**, San Fernando, CA (US)

*Primary Examiner*—Joel Sincavage

(74) *Attorney, Agent, or Firm*—Andrew B. Katz; Cozen O'Connor

(\*\*) Term: **14 Years**

(57) **CLAIM**

(21) Appl. No.: **29/134,010**

The ornamental design for an adapter, as shown and described.

(22) Filed: **Dec. 28, 2000**

**DESCRIPTION**

(51) **LOC (7) Cl.** ..... **13-03**

(52) **U.S. Cl.** ..... **D13/110; D13/144**

(58) **Field of Search** ..... D13/144, 110, D13/107; 439/483, 668

FIG. 1 is a perspective view of the adapter of the present invention connected to the cord and plug;

FIG. 2 is a top view of the adapter of the present invention;

FIG. 3 is a side view of the adapter of the present invention;

FIG. 4 is a bottom view of the adapter of the present invention;

FIG. 5 is a front view of the adapter of the present invention; and,

FIG. 6 is a back view of the adapter of the present invention.

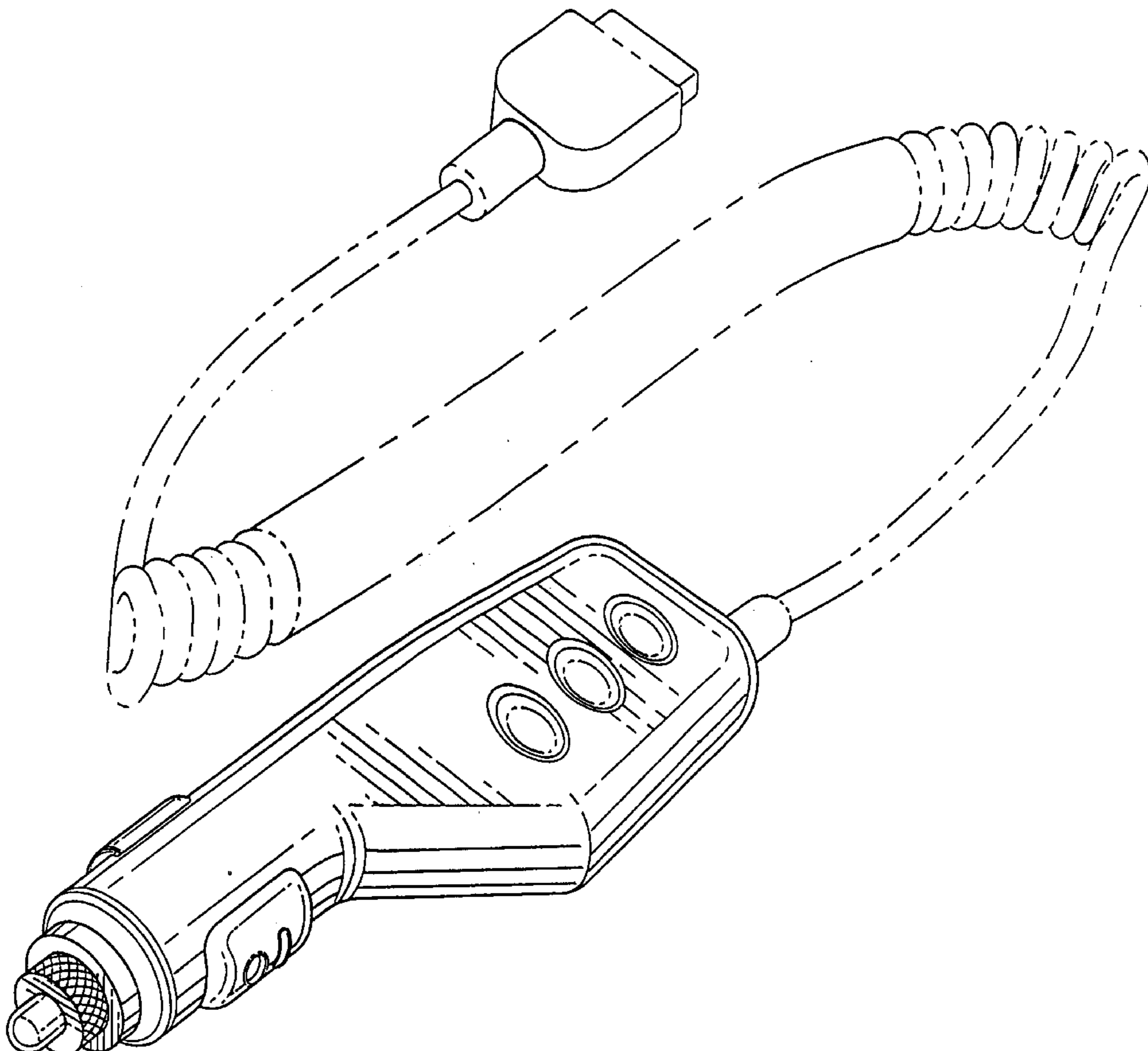
The broken lines showing the cord and plug in FIG. 1 are included for the purpose of illustrating environmental structure only and form no part of the claimed design.

(56) **References Cited**

**U.S. PATENT DOCUMENTS**

D362,230 S	*	9/1995	Yokozawa	.....	D13/144
D362,840 S	*	10/1995	Larson	.....	D13/144
5,626,496 A	*	5/1997	Hahn	.....	439/668
D410,432 S	*	6/1999	Park	.....	D13/110
D420,977 S	*	2/2000	Lohrding	.....	D13/144
D424,015 S	*	5/2000	Minagawa et al.	.....	D13/108
6,116,960 A	*	9/2000	Lloyd et al.	.....	439/668

**1 Claim, 2 Drawing Sheets**



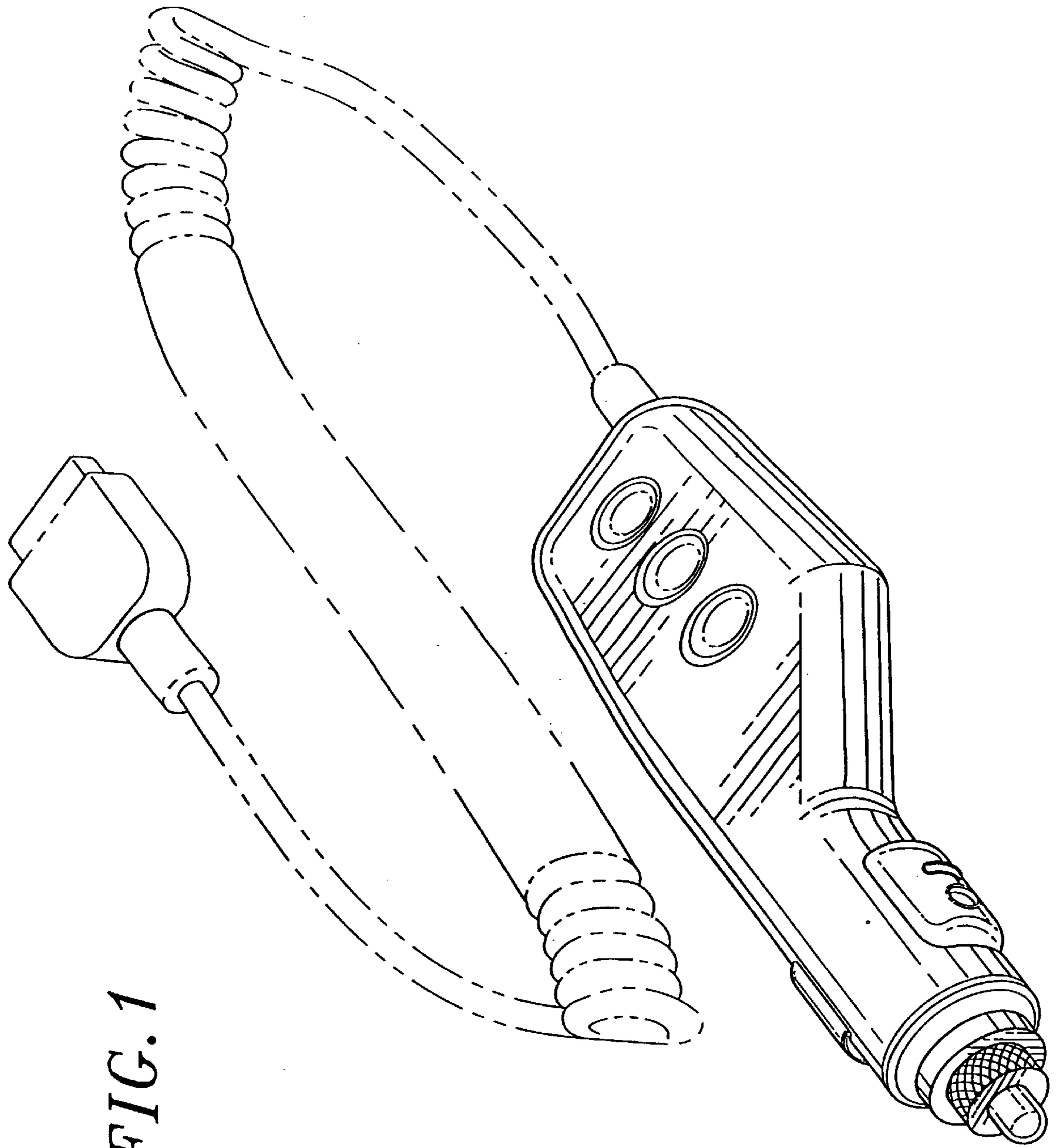


FIG. 1

FIG. 2

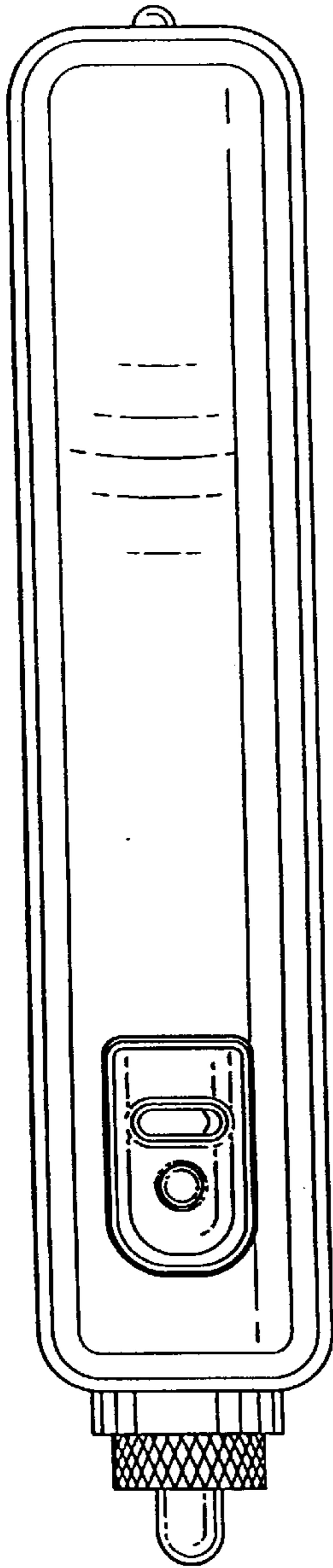


FIG. 6

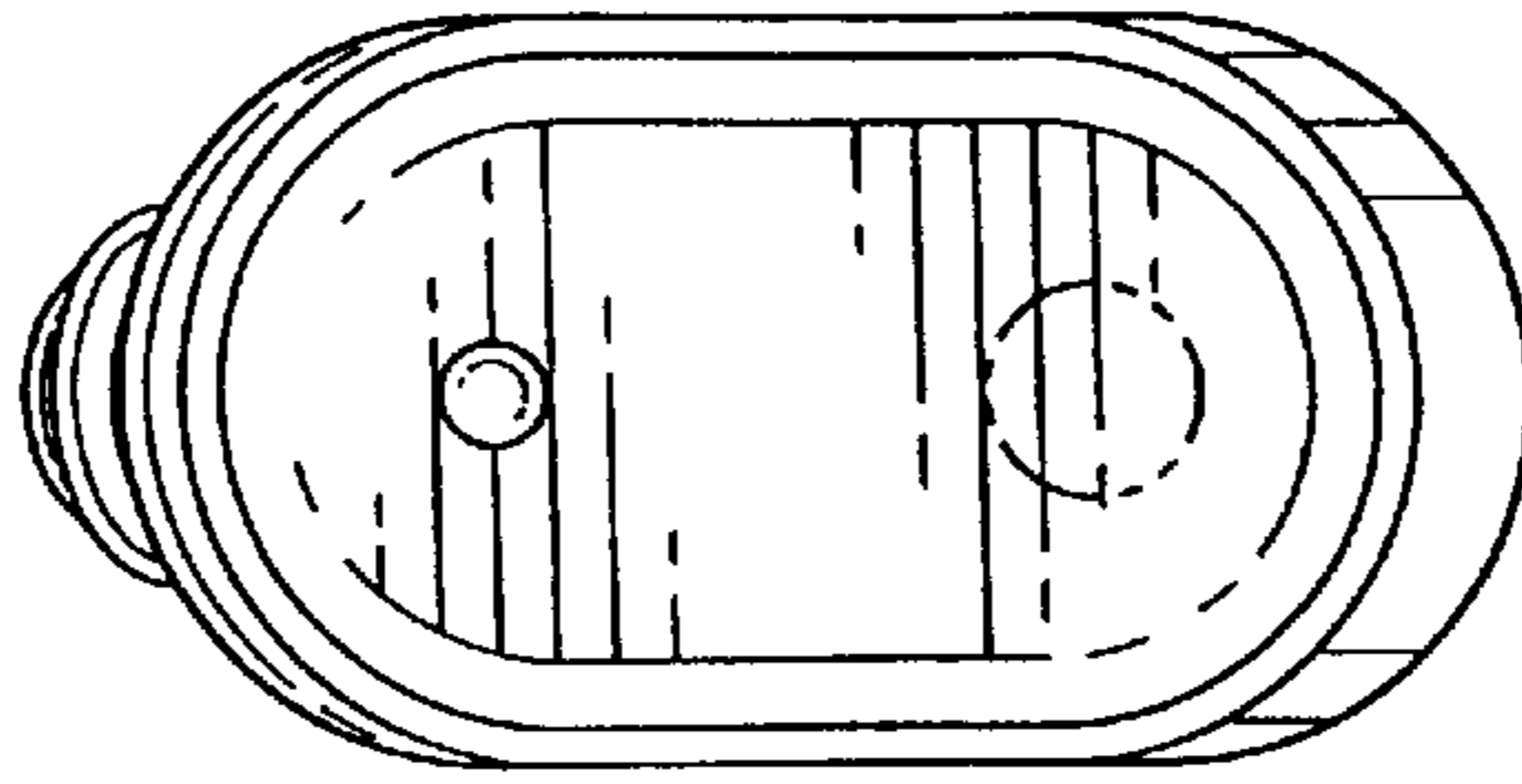


FIG. 3

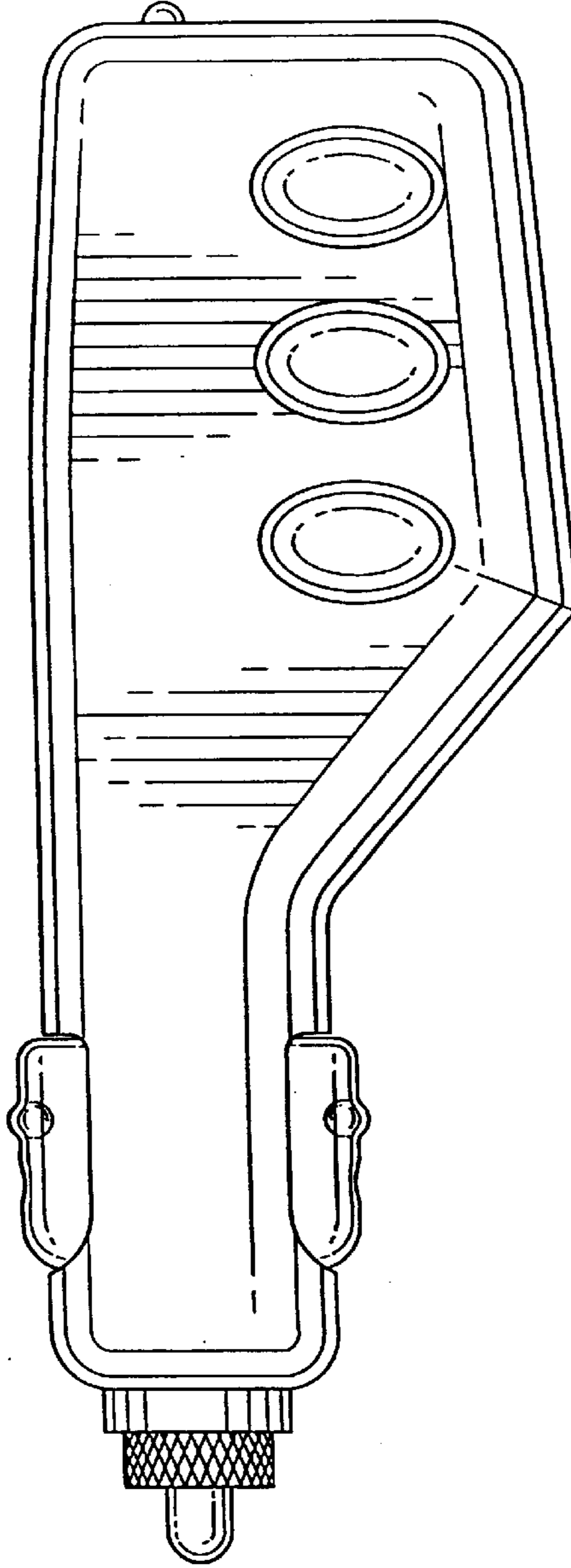


FIG. 4

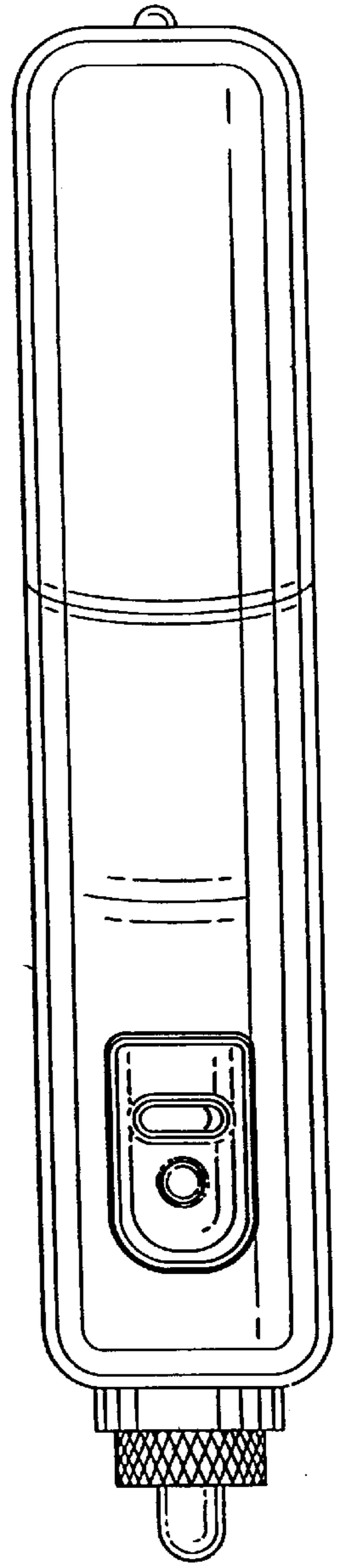


FIG. 5

