



US00D471514S

(12) **United States Design Patent**
Jacober et al.

(10) **Patent No.:** **US D471,514 S**

(45) **Date of Patent:** **** Mar. 11, 2003**

(54) **CASE FOR BATTERIES**

(75) Inventors: **Jeffrey M. Jacober**, Providence, RI
(US); **David Crossley**, Charlestown, RI
(US)

(73) Assignee: **ReSource, Inc.**, Providence, RI (US)

(**) Term: **14 Years**

(21) Appl. No.: **29/135,800**

(22) Filed: **Jan. 17, 2001**

(51) **LOC (7) Cl.** **13-02**

(52) **U.S. Cl.** **D13/103**

(58) **Field of Search** D13/119, 107;
D3/313; D6/632; 429/100; 206/703, 705

(56) **References Cited**

U.S. PATENT DOCUMENTS

983,760	A	2/1911	Patterson	
2,356,926	A	8/1944	Gits	
D278,703	S	* 5/1985	Chiodo et al. D13/107
5,212,020	A	5/1993	Inobe	
5,612,147	A	3/1997	Nagata	
5,670,268	A	9/1997	Mancusi	

5,687,849	A	11/1997	Borenstein et al.	
D387,898	S	* 12/1997	Ronzani D3/215
D400,162	S	* 10/1998	Lam D13/107
D413,442	S	9/1999	Jacober et al.	
D433,629	S	* 11/2000	Clarke et al. D9/415
D454,837	S	* 3/2002	Ibuki et al. D13/107

* cited by examiner

Primary Examiner—Joel Sincavage

(74) *Attorney, Agent, or Firm*—Cook, Alex, McFarron,
Manzo, Cummings & Mehler, Ltd.

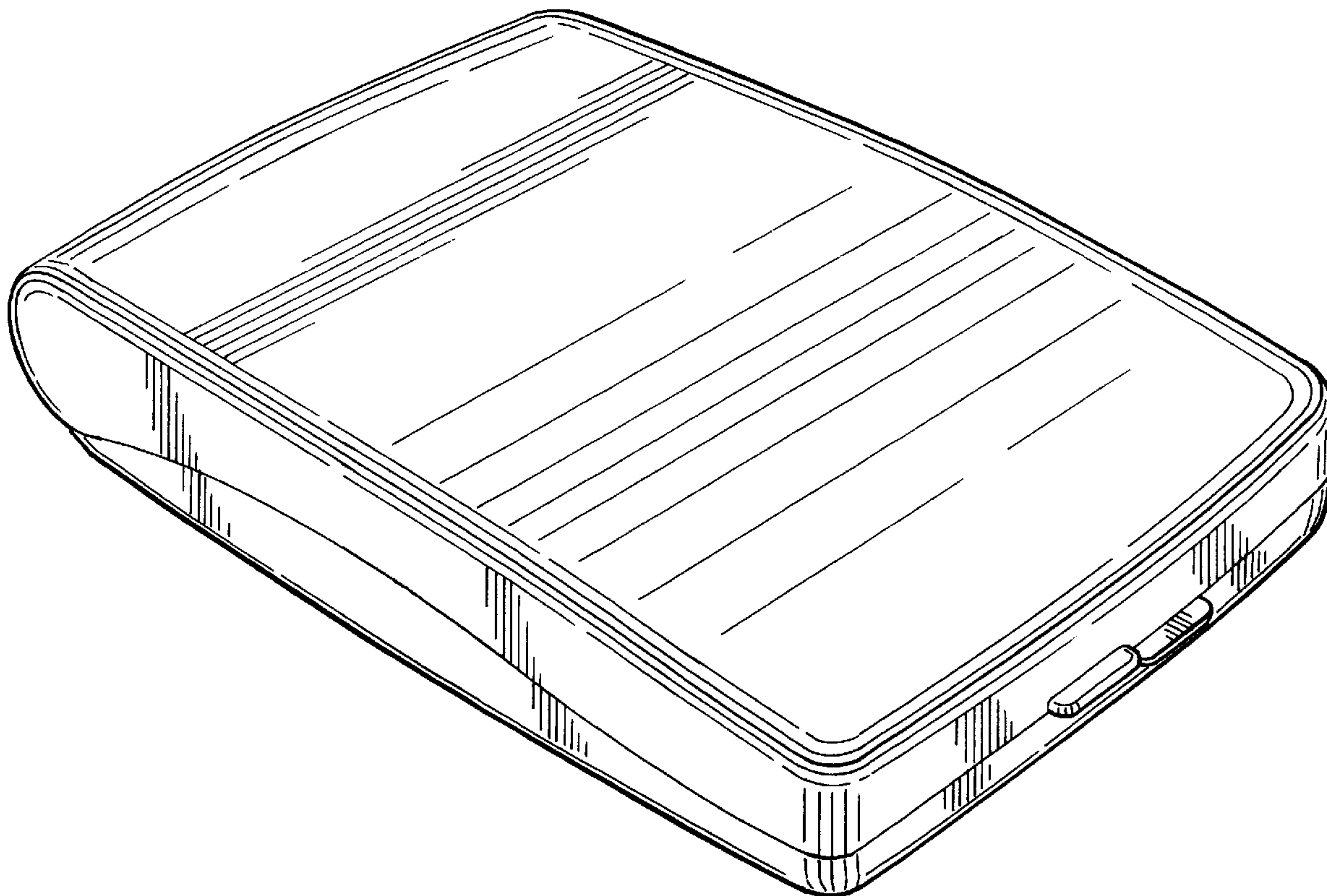
(57) **CLAIM**

The ornamental design for a case for batteries, as shown and described.

DESCRIPTION

FIG. 1 is a perspective view of a case for batteries showing the new design;
FIG. 2 is a left side elevational view thereof, the right side elevational view being a mirror image of FIG. 2;
FIG. 3 is a front elevational view thereof;
FIG. 4 is a rear elevational view thereof;
FIG. 5 is a top plan view thereof; and,
FIG. 6 is a bottom plan view thereof.

1 Claim, 3 Drawing Sheets



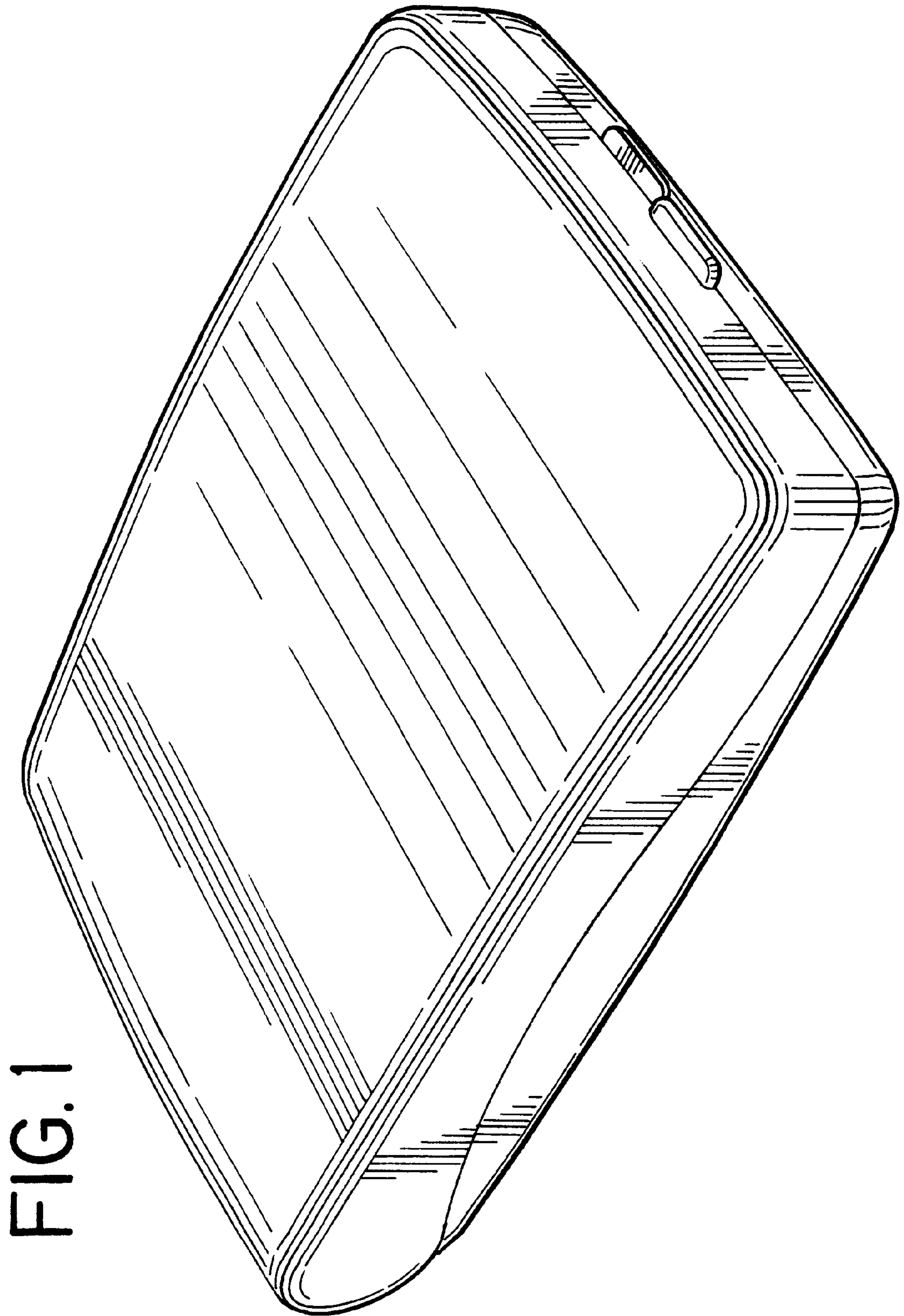


FIG. 1

FIG. 2

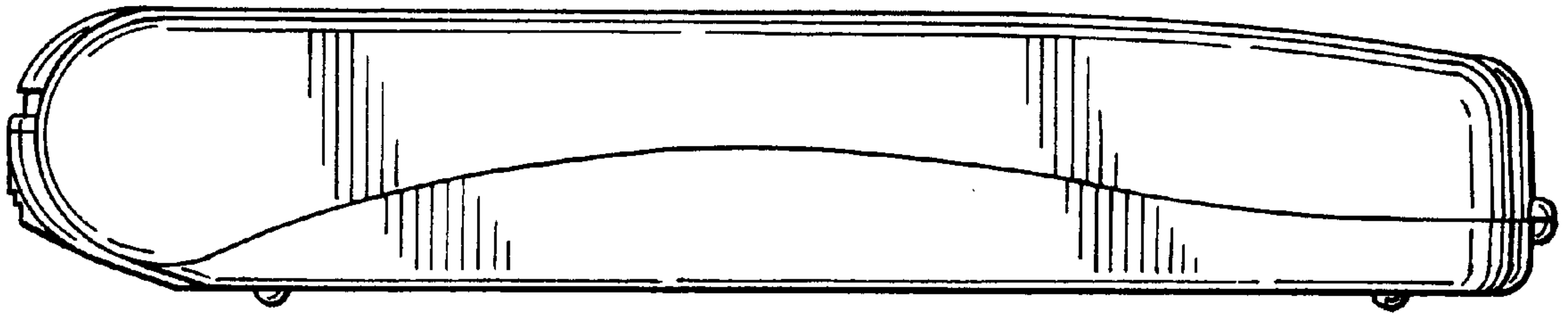


FIG. 3

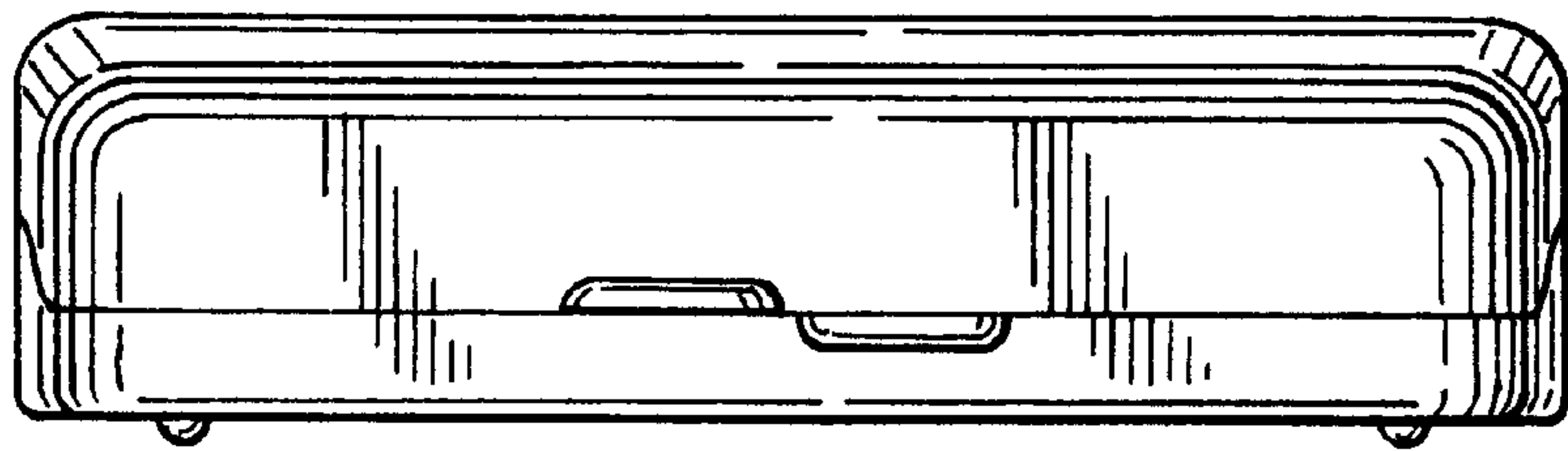


FIG. 4

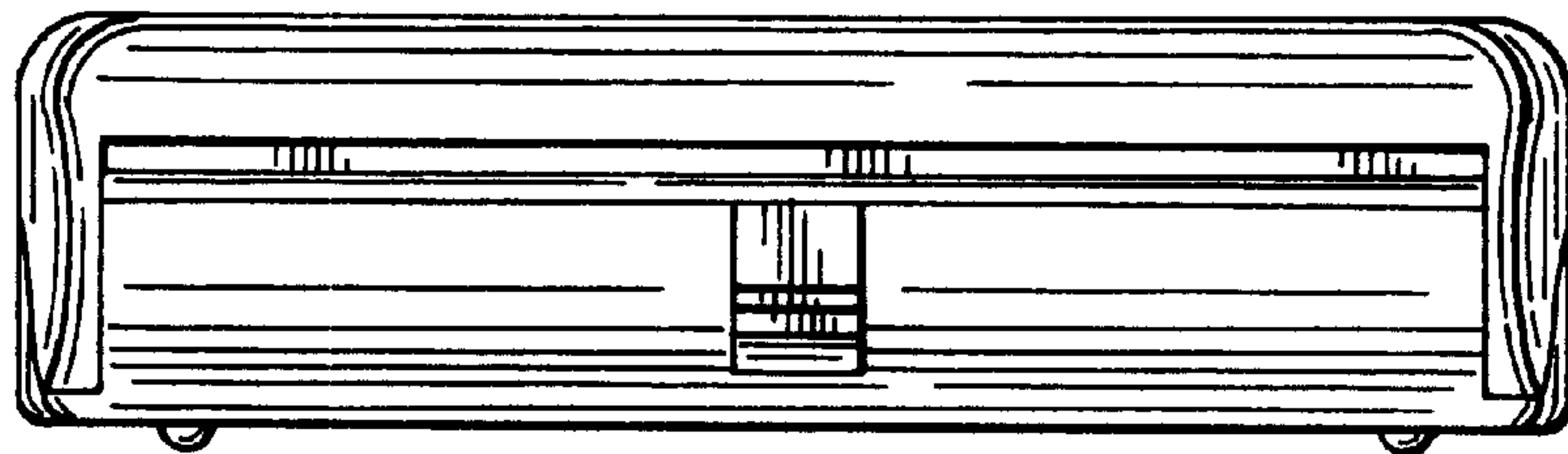


FIG. 6

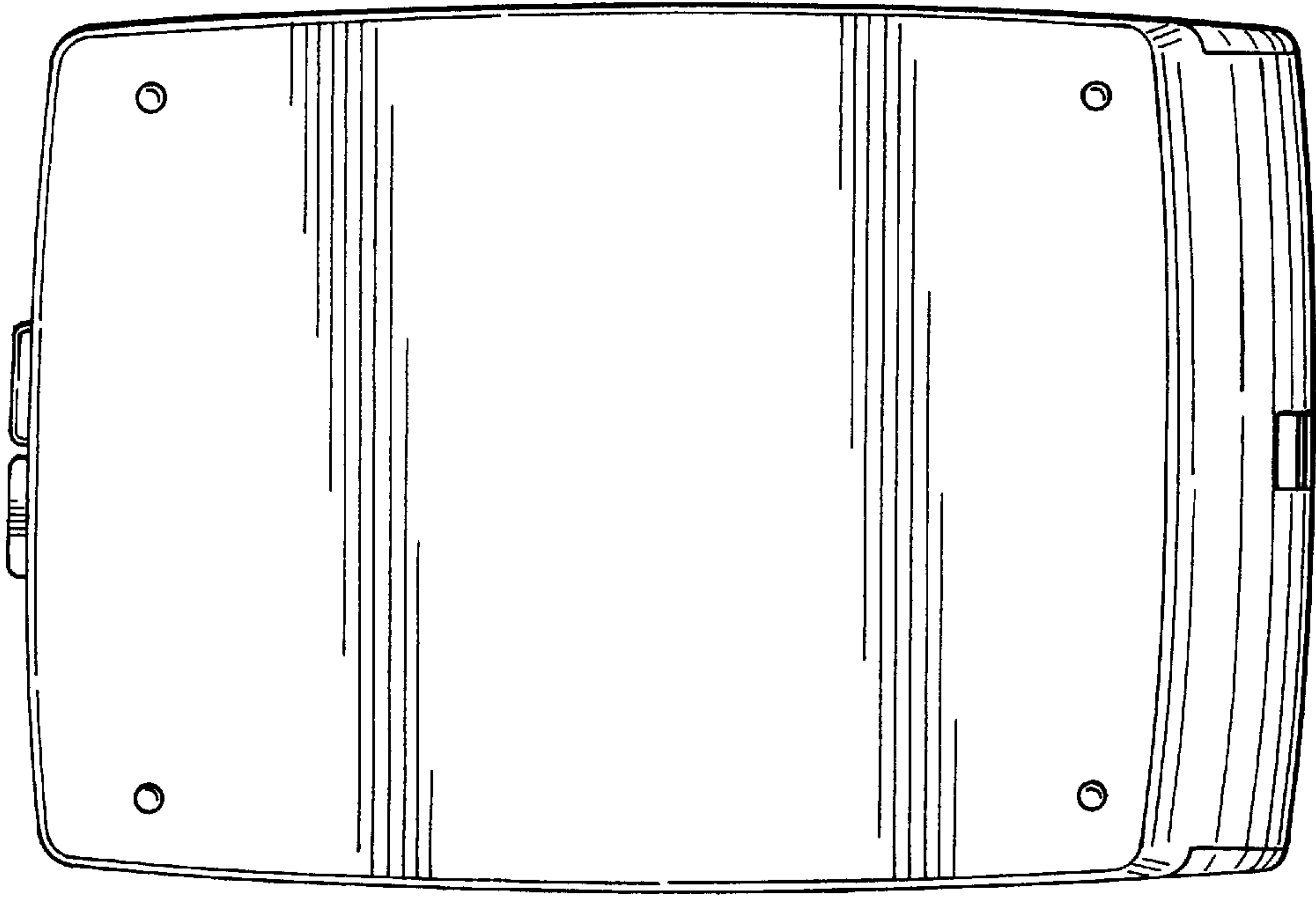


FIG. 5

