



US00D471506S

(12) **United States Design Patent**  
**Mah**

(10) **Patent No.:** **US D471,506 S**

(45) **Date of Patent:** **\*\* Mar. 11, 2003**

(54) **UNDERWATER MOTIVE DEVICE**

D447,109 S \* 8/2001 Paoli et al. .... D12/308

(76) Inventor: **Pat Y. Mah**, 8C Leroy Plaza, 15  
Cheung Shun Street, Cheung Sha Wan,  
Kowloon, Hong Kong (CN)

\* cited by examiner

*Primary Examiner*—Lisa Lichtenstein  
(74) *Attorney, Agent, or Firm*—Curtis L. Harrington

(\*\*) Term: **14 Years**

(57) **CLAIM**

(21) Appl. No.: **29/156,451**

The ornamental design for an underwater motive device, as shown and described.

(22) Filed: **Mar. 1, 2002**

(51) **LOC (7) Cl.** ..... **12-06**

(52) **U.S. Cl.** ..... **D12/308**

(58) **Field of Search** ..... D12/300–318;  
114/312, 314, 315, 334, 330, 331, 66; D21/545

**DESCRIPTION**

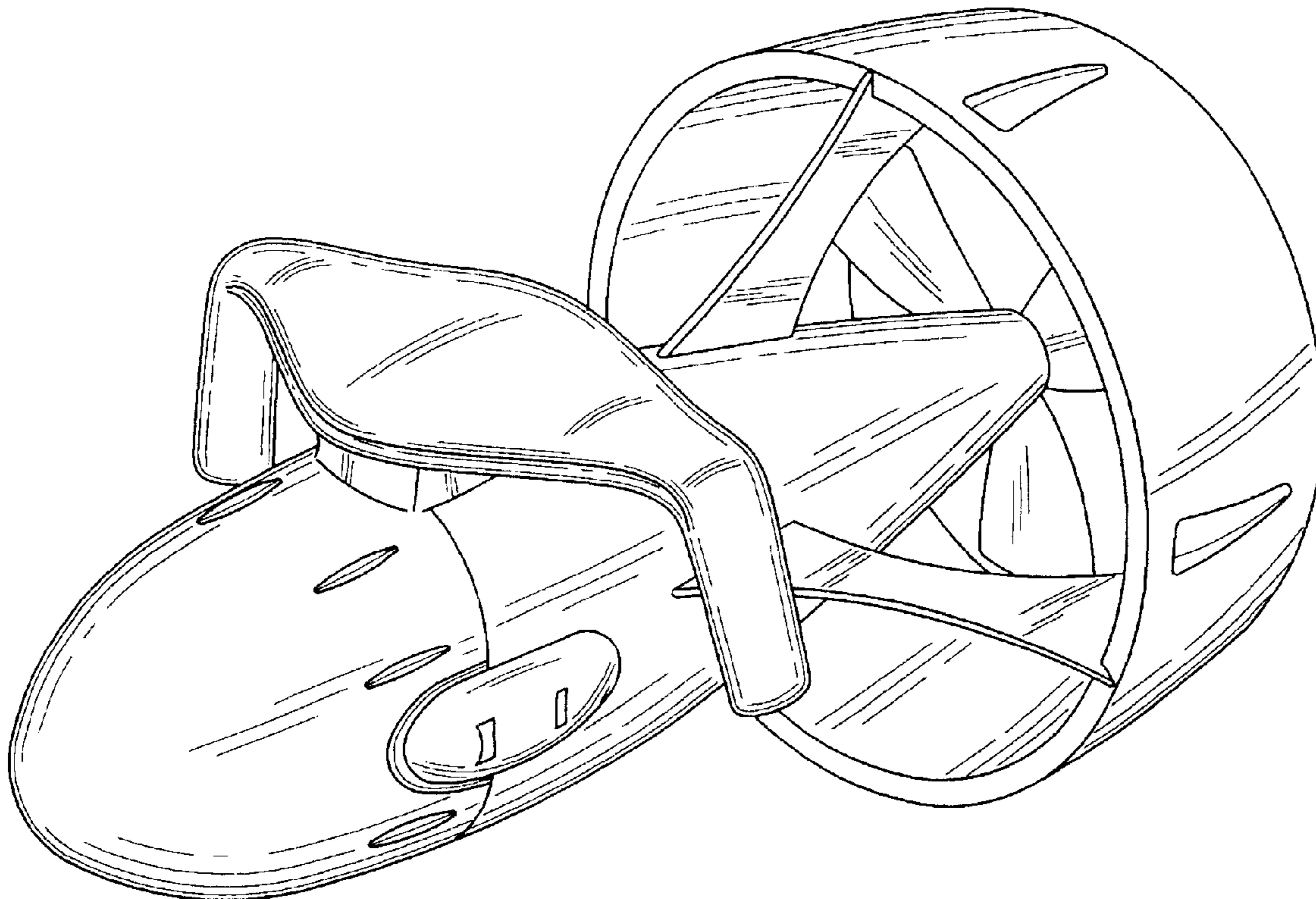
FIG. 1 is a perspective view of the underwater motive device;  
FIG. 2 is a right side view, the left side view being a mirror image of the right side view thereof;  
FIG. 3 is a front view thereof;  
FIG. 4 is a rear view thereof;  
FIG. 5 is a top view thereof; and,  
FIG. 6 is a bottom view thereof.

(56) **References Cited**

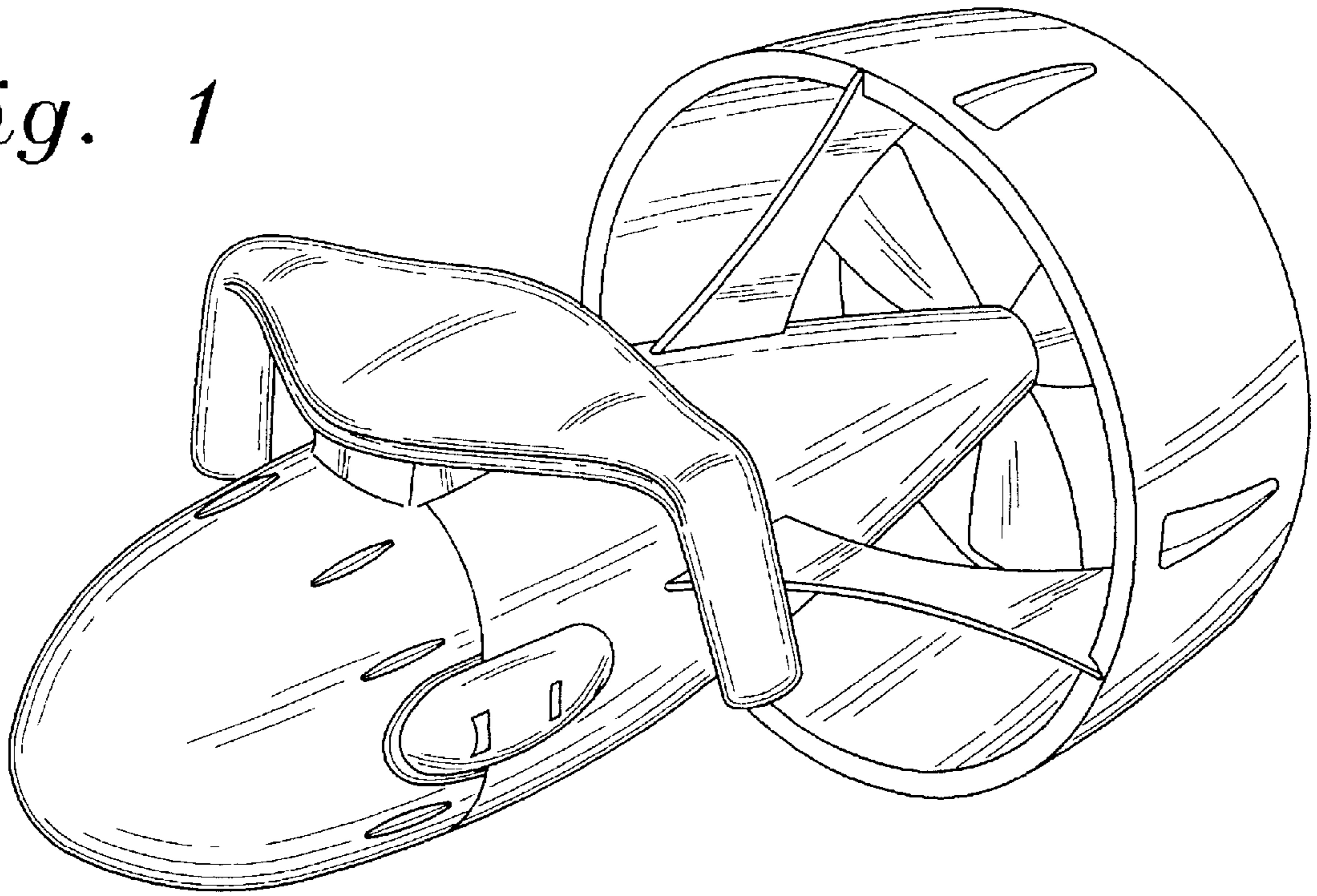
**U.S. PATENT DOCUMENTS**

- D304,923 S \* 12/1989 Pado ..... D12/308
- D359,022 S \* 6/1995 Lashman ..... D12/308
- 5,634,423 A \* 6/1997 Lashman ..... 114/315

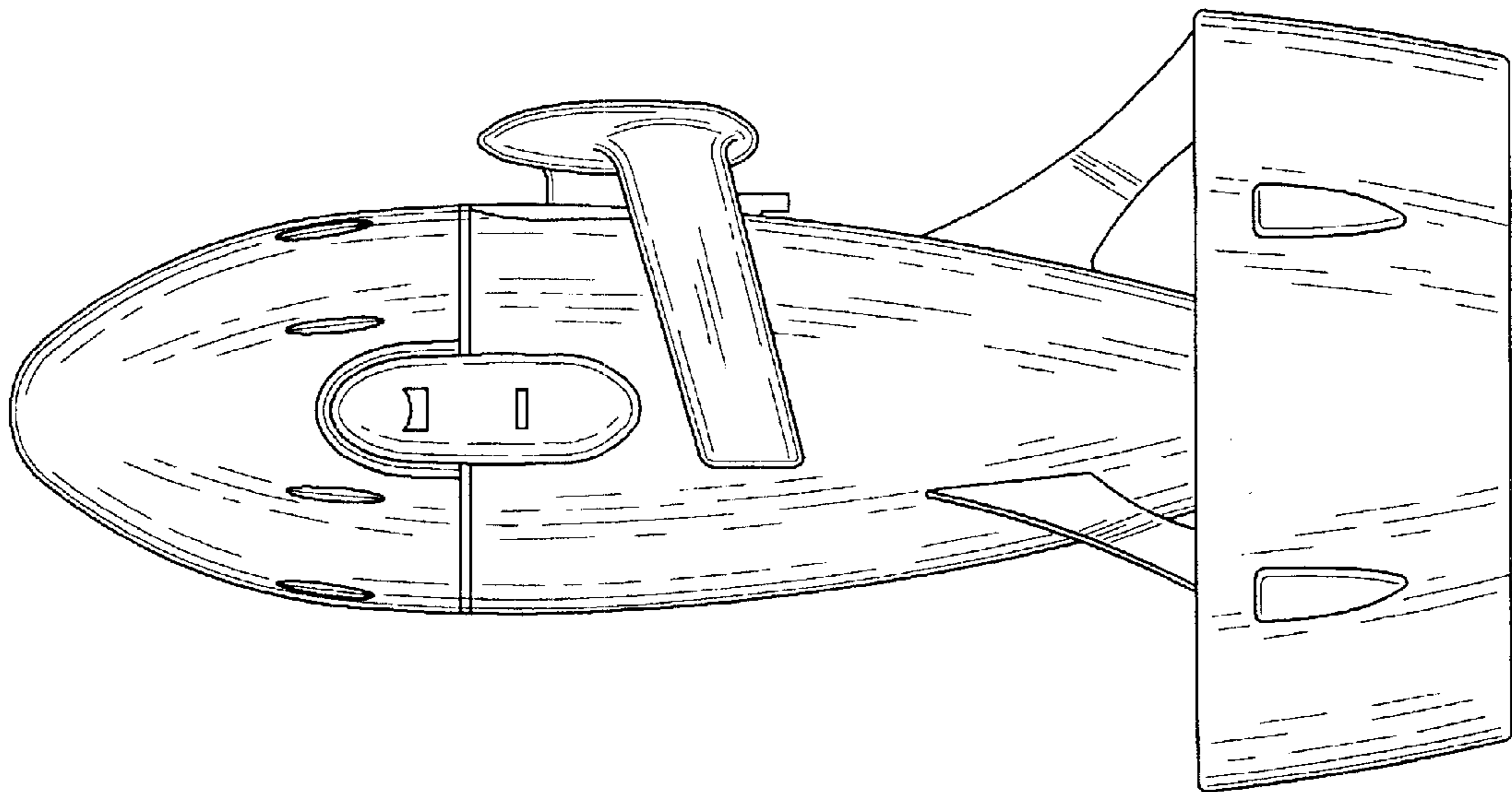
**1 Claim, 3 Drawing Sheets**



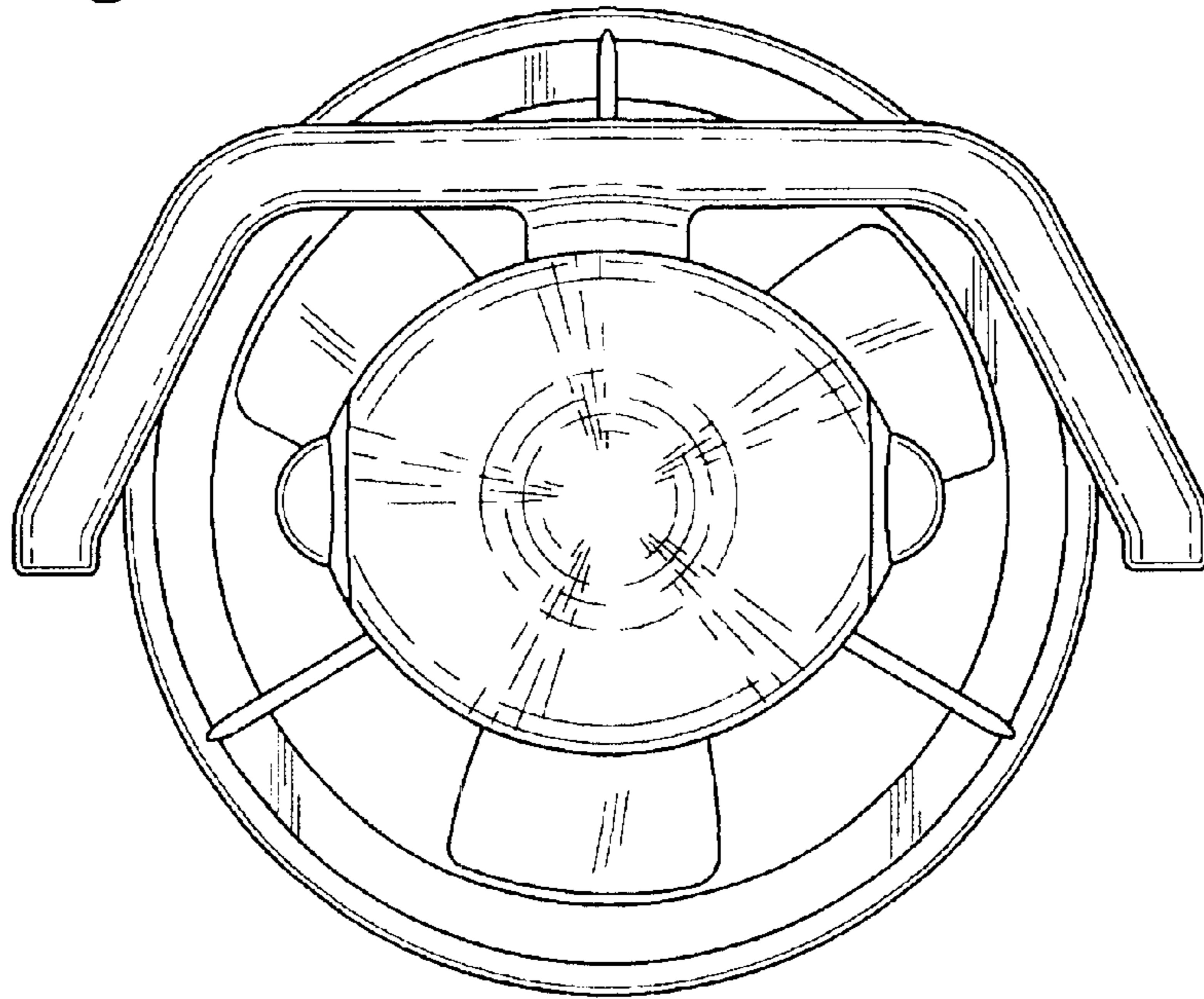
*Fig. 1*



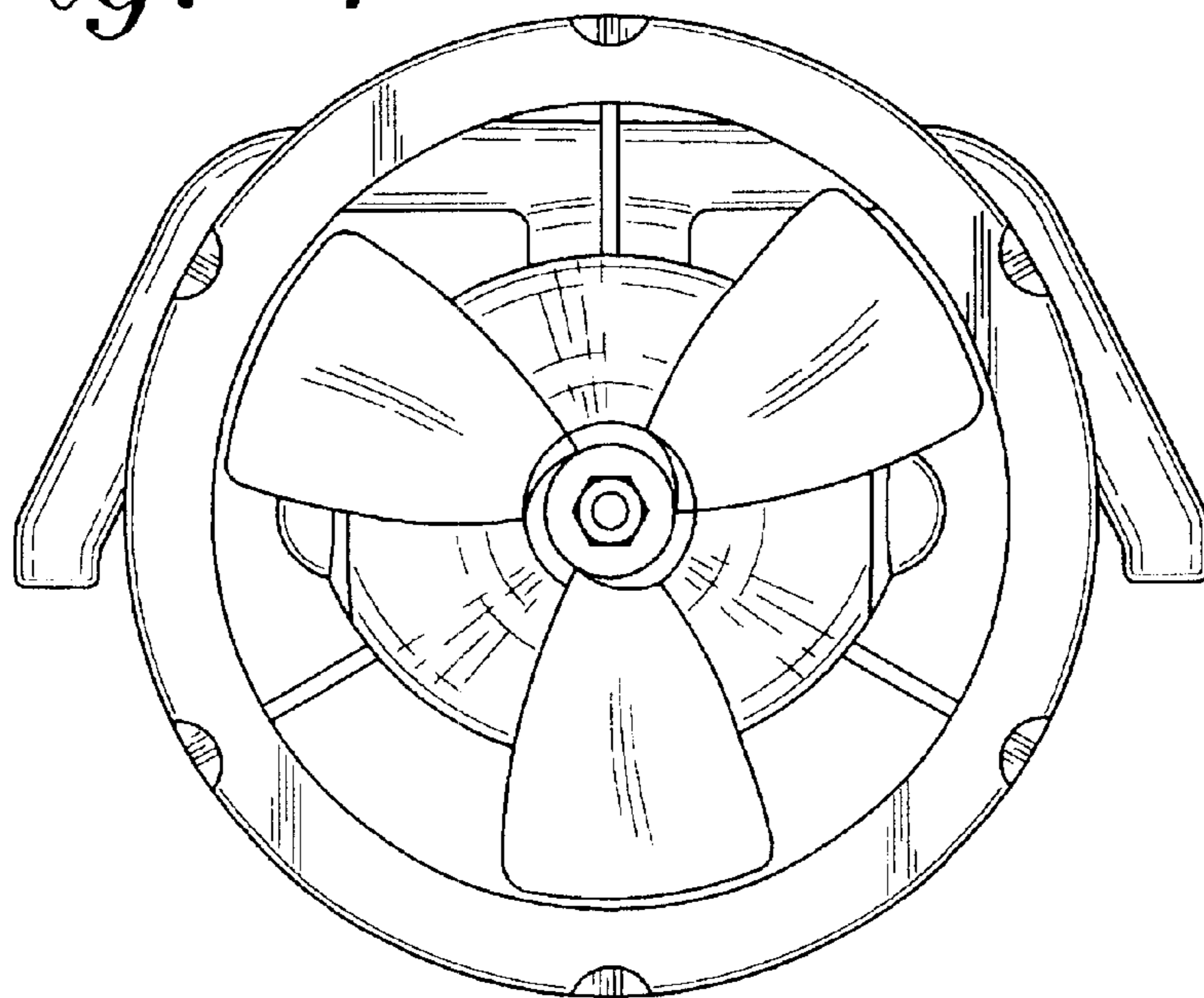
*Fig. 2*



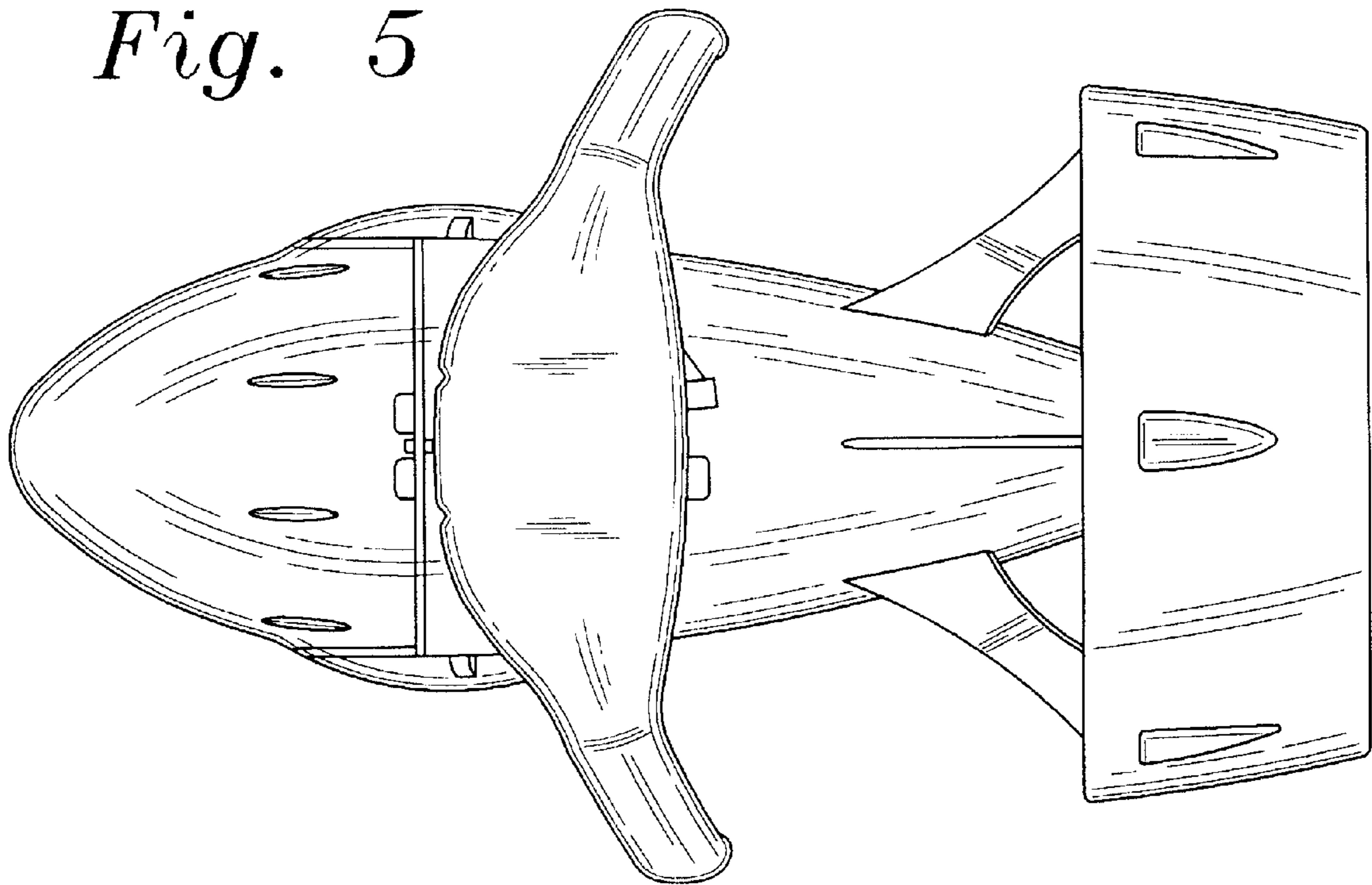
*Fig. 3*



*Fig. 4*



*Fig. 5*



*Fig. 6*

