



US00D471502S

(12) **United States Design Patent**  
**McMath**

(10) **Patent No.:** **US D471,502 S**

(45) **Date of Patent:** **\*\* Mar. 11, 2003**

(54) **WHEEL**

(76) **Inventor:** **Robert Roy McMath**, 1355 Basel Pl.,  
Riverside, CA (US) 92506

(\*\*) **Term:** **14 Years**

(21) **Appl. No.:** **29/165,686**

(22) **Filed:** **Aug. 14, 2002**

(51) **LOC (7) Cl.** ..... **12-16**

(52) **U.S. Cl.** ..... **D12/209**

(58) **Field of Search** ..... D12/204-211;  
301/37.101, 64.101, 65

(56) **References Cited**

**U.S. PATENT DOCUMENTS**

D380,432 S	*	7/1997	Hettler	.....	D12/209
D449,812 S	*	1/2001	Penzes	.....	D12/211
D445,079 S	*	7/2001	Lee	.....	D12/209
D450,647 S	*	11/2001	Pfeiffer	.....	D12/211
D450,650 S	*	11/2001	Cinibulk	.....	D12/211
D451,461 S	*	12/2001	Arellano	.....	D12/209
D454,527 S	*	3/2002	Bhambra	.....	D12/209
D457,478 S	*	5/2002	Minamisawa	.....	D12/211

D458,572 S	*	6/2002	Fitzgerald	.....	D12/209
D459,689 S	*	7/2002	Hieke	.....	D12/211
D460,037 S	*	7/2002	Takechi	.....	D12/211

\* cited by examiner

*Primary Examiner*—Stacia Cadmus

(74) *Attorney, Agent, or Firm*—Curtis L. Harrington

(57) **CLAIM**

The ornamental design for a wheel, as shown and described.

**DESCRIPTION**

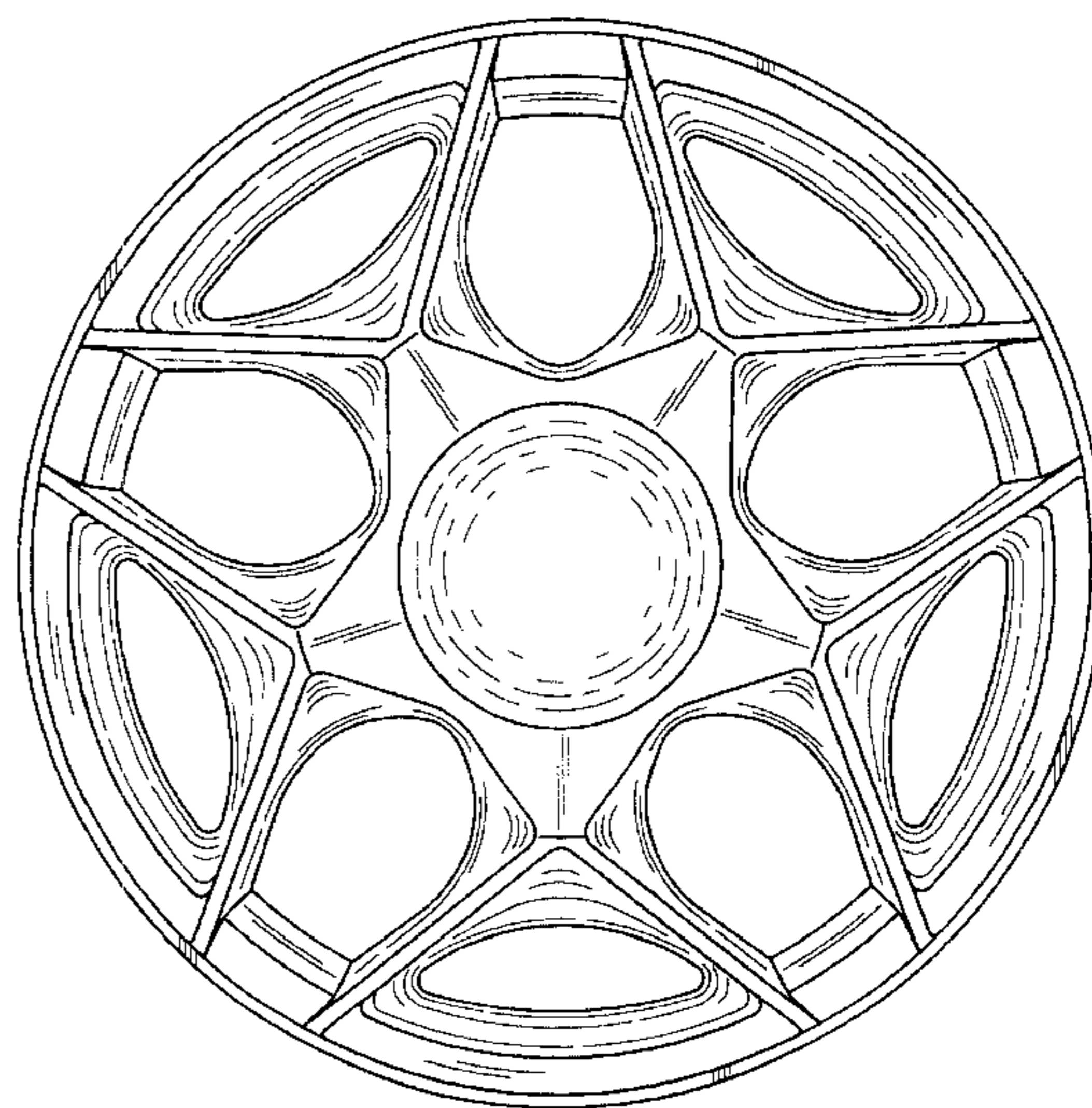
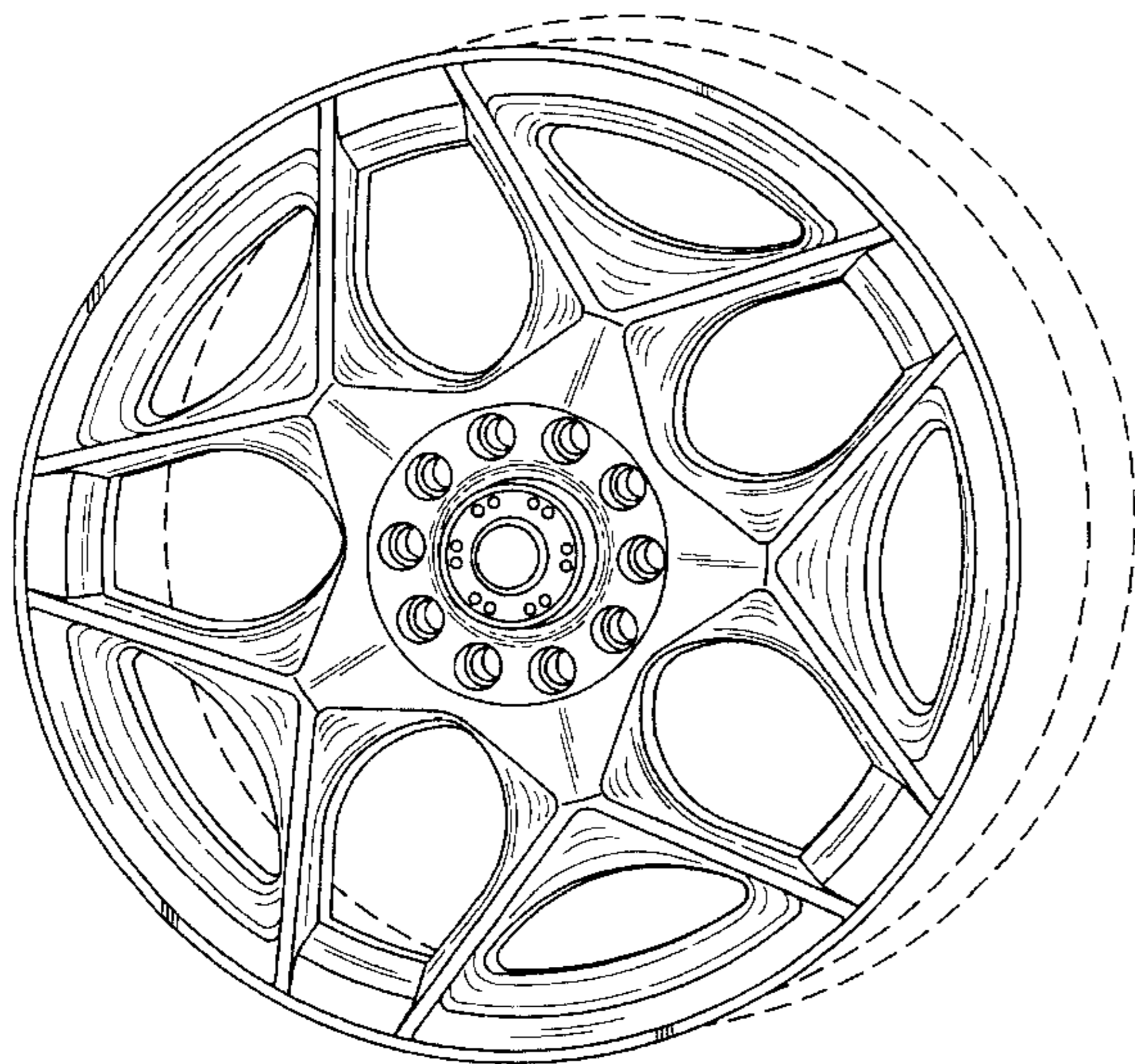
FIG. 1 is a front perspective view of a first embodiment of the wheel; and

FIG. 2 is a front plan view of the wheel of FIG. 1;

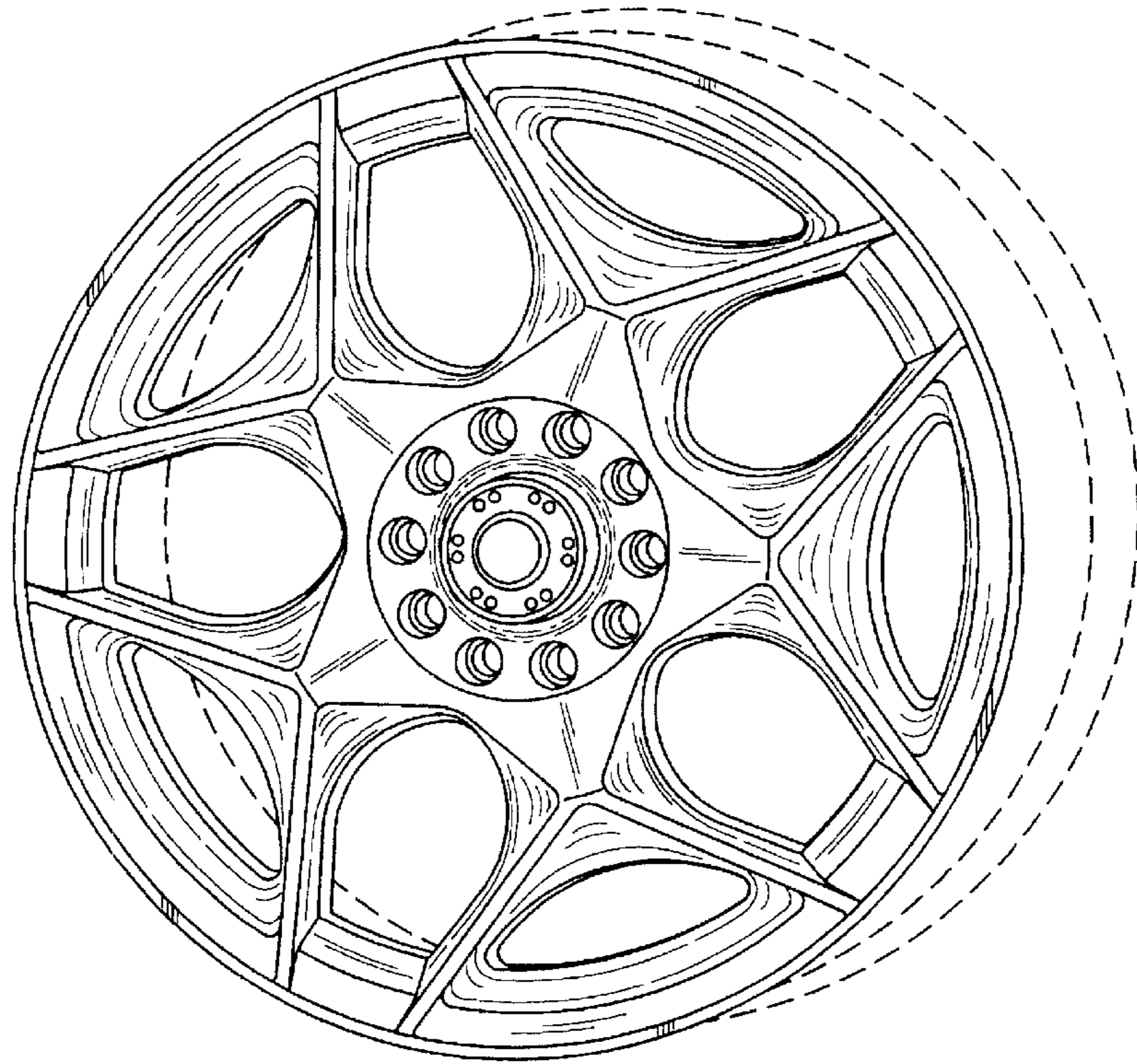
FIG. 3 is a front perspective view of a second embodiment of the wheel of FIGS. 1 and 2 having a flat center cap; and,

FIG. 4 is a front plan view of the wheel of FIGS. 3, it being understood that the ornamental design of FIGS. 1, 2, 3, & 4 are not expressed in top, bottom and side views and thus they are omitted, the circumferentially outwardly disposed areas of the inside of the rim is shown for illustrative purposes only and forming no part of the claimed design.

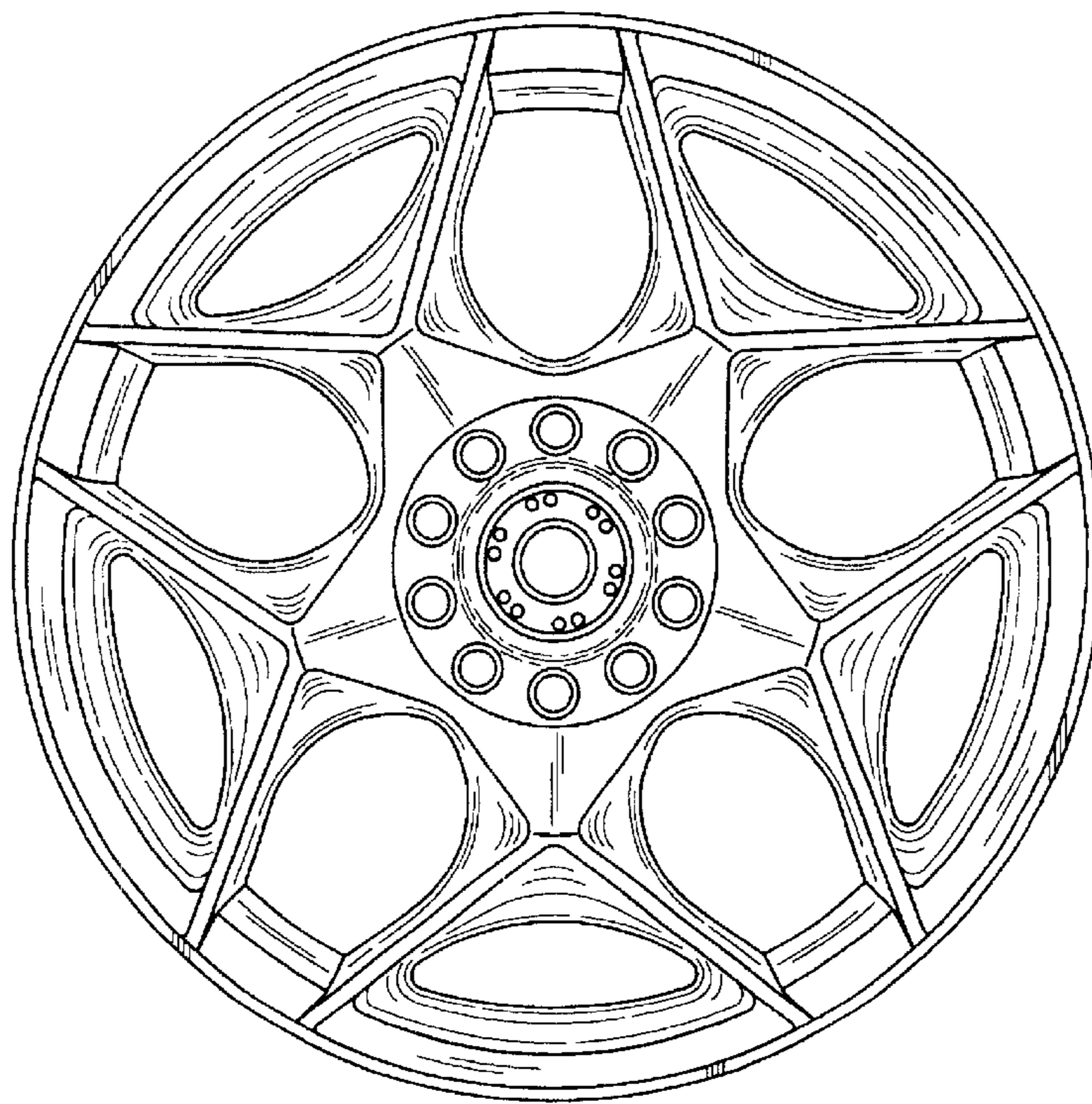
**1 Claim, 2 Drawing Sheets**



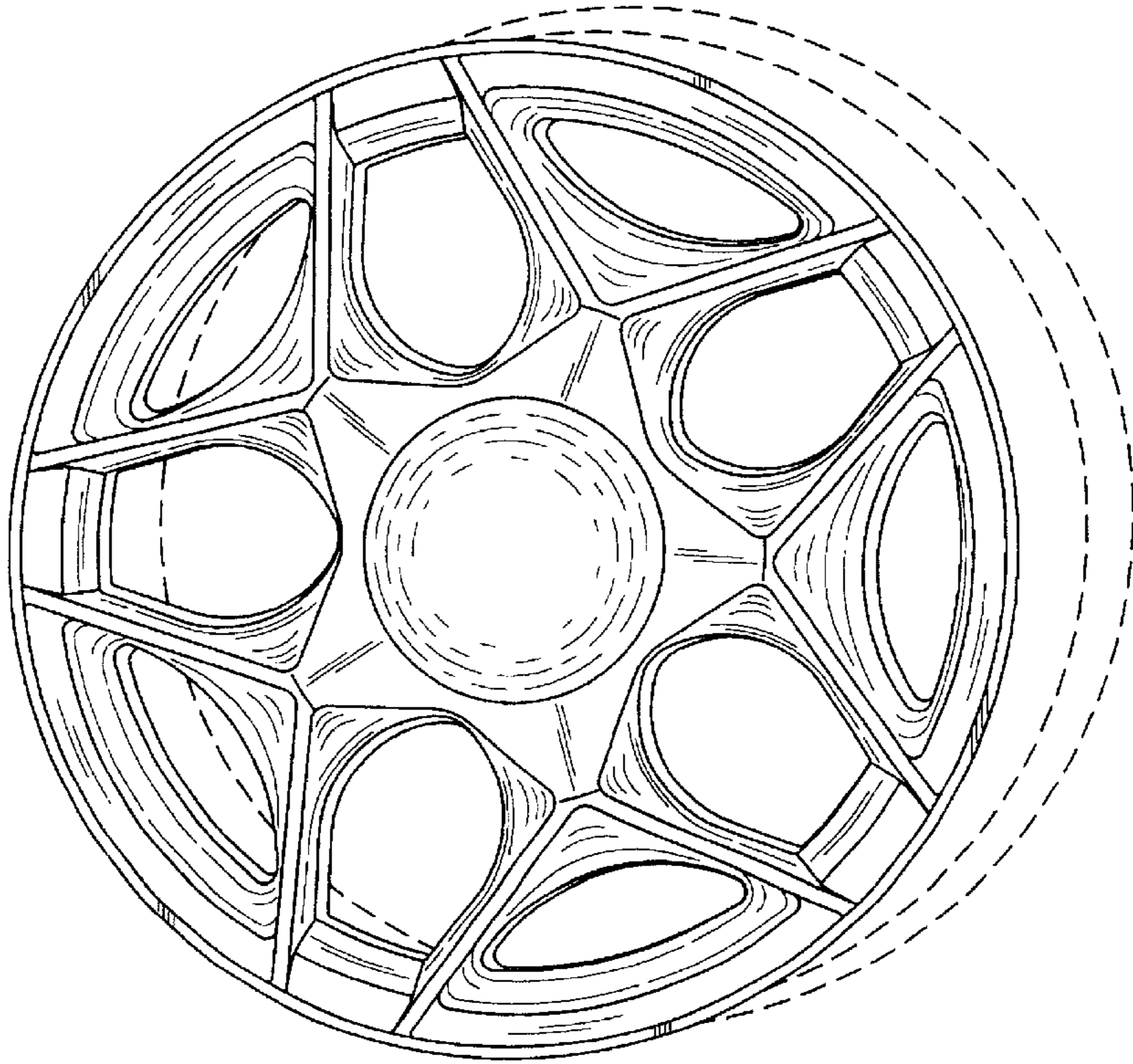
*Fig. 1*



*Fig. 2*



*Fig. 3*



*Fig. 4*

